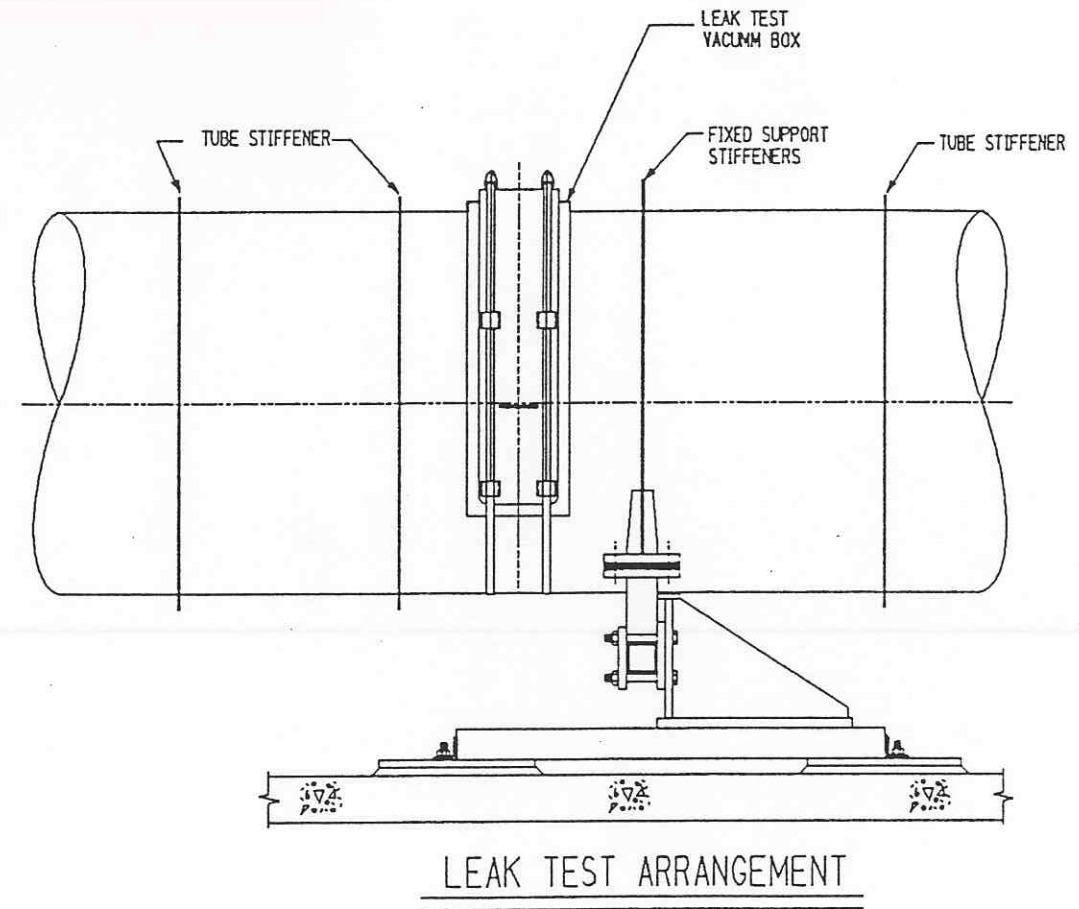
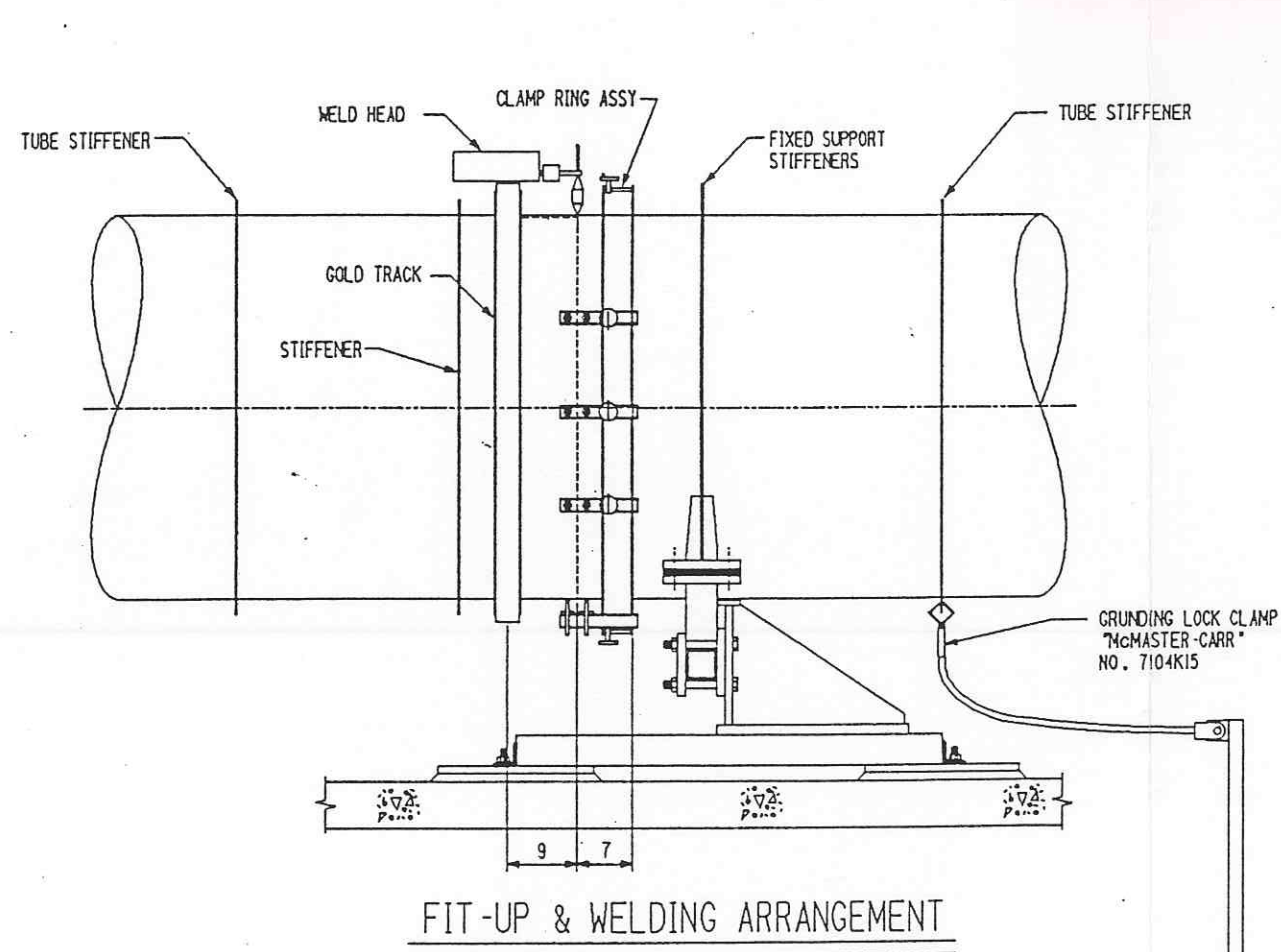


Date Received: 11/10/95	LIGO-D950085-02-B Contractor # CBI ER-133 Rev. 2
TIM #:	LIGO-
Date: / /	Approved:
TDM #:	LIGO-
Date: / /	Approved:
Gen'l Transmittal	LIGO-
Date: / /	Approved:

APPROVED

*M. Jellalian* 11/10/95  
CBI

*J. Jones* 11/10/95  
CBI



**NOTES:**  
1. INSTALL GROUND ROD EVERY 250'-0.

CAO FILE 30212133.DGN

▶ INDICATES CHANGE FROM PREVIOUS ISSUE

Supplier's/Purchaser's No. _____	
<b>CBI</b>	
<b>LIGO PROJECT</b>	
FIT-UP WELDING AND LEAK TESTING CONFIGURATIONS AT FIXED SUPPORTS	
Customer's No. _____	Contract No. 930212
By <u>DKL</u> Chkd _____ Date <u>2-10-94</u>	Dwg. <u>ER133</u> Rev. <u>2</u>
By <u>J.J. RINGELSTETTER</u> Engineering Supervisor	
Sheet - _____	
<b>LIGO-D950085-02-B</b>	