

1

2

3

4

NOTES: (UNLESS OTHERWISE SPECIFIED)

- 1. DIMENSIONS IN INCHES.
- 2. BREAK ALL SHARP EDGES.
- 3. FILLETS: R.015 MAX.

REV	DATE	DRAWN BY	CHECKED	DCC	DCN/DESCRIPTION
A	2/23/01	J. Romie			E010031/INITIAL RELEASE

A

A

B

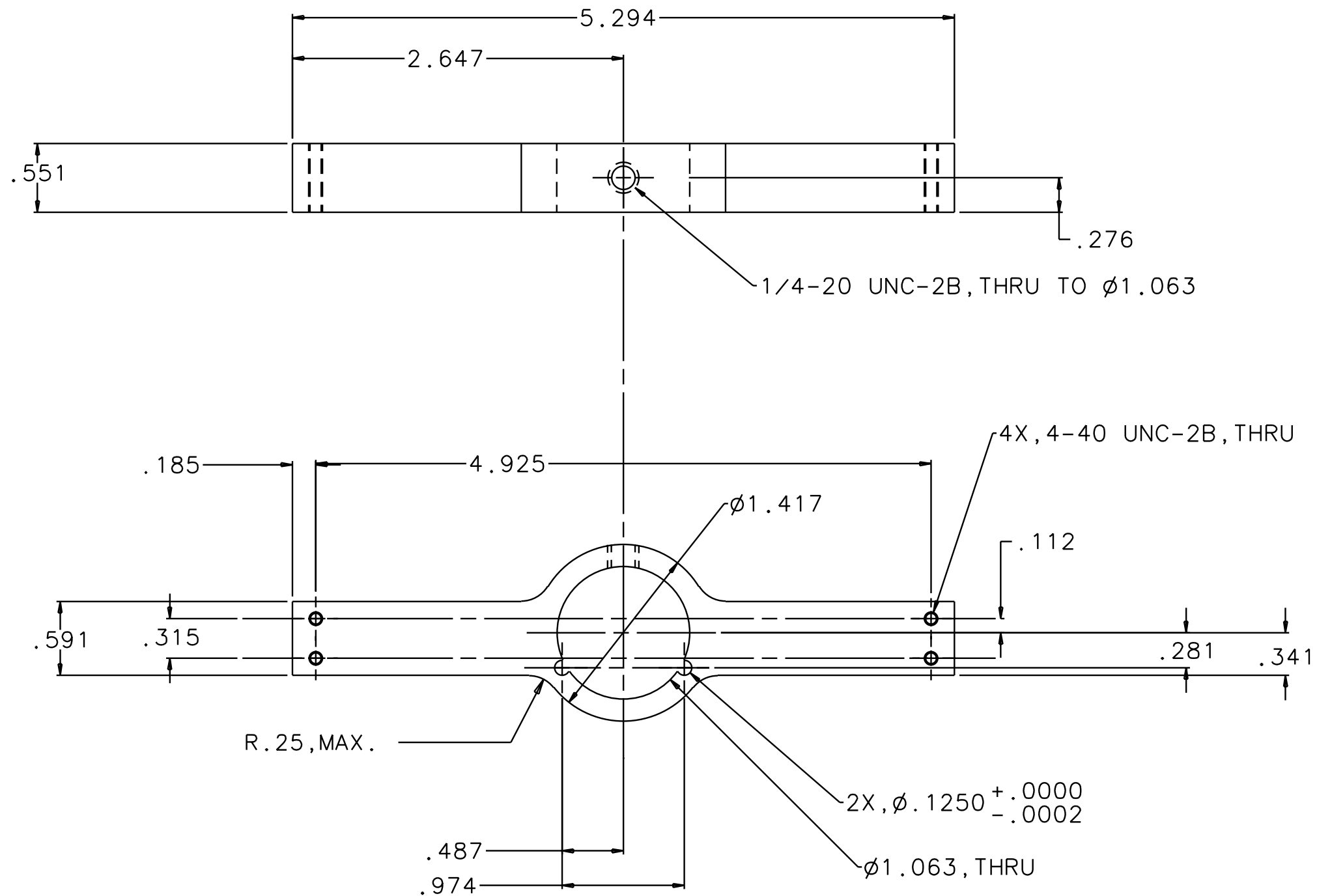
B

C

C

D

D



QTY REQD	FSCM NO	PART OR IDENTIFYING NO	NOMENCLATURE OR DESCRIPTION	MATERIAL SPECIFICATION	ITEM NO
PARTS LIST					
UNLESS OTHERWISE SPECIFIED DIMENSIONS ARE IN INCHES TOLERANCES ARE:			APPROVALS	DATE	LIGO CALIFORNIA INSTITUTE OF TECHNOLOGY MASSACHUSETTS INSTITUTE OF TECHNOLOGY
FRACTIONS DECIMALS			J. Hazel	10/96	
0.XX=±0.01			CHECKED		TITLE
0.XXX=±0.005					HEAD HOLDER, SIDE
ANGLES=±0.5°					DWG NO. D950115
DO NOT SCALE DRAWING					REV A
NEXT ASSEMBLY	D950104	MATERIAL	300 SERIES SST		SCALE 1/1
FILE LOCATION	/home/dcc/docs/D950115.pdf	FINISH	64	MACHINE ALL OVER	SHEET 1 OF 1

1

2

3

4