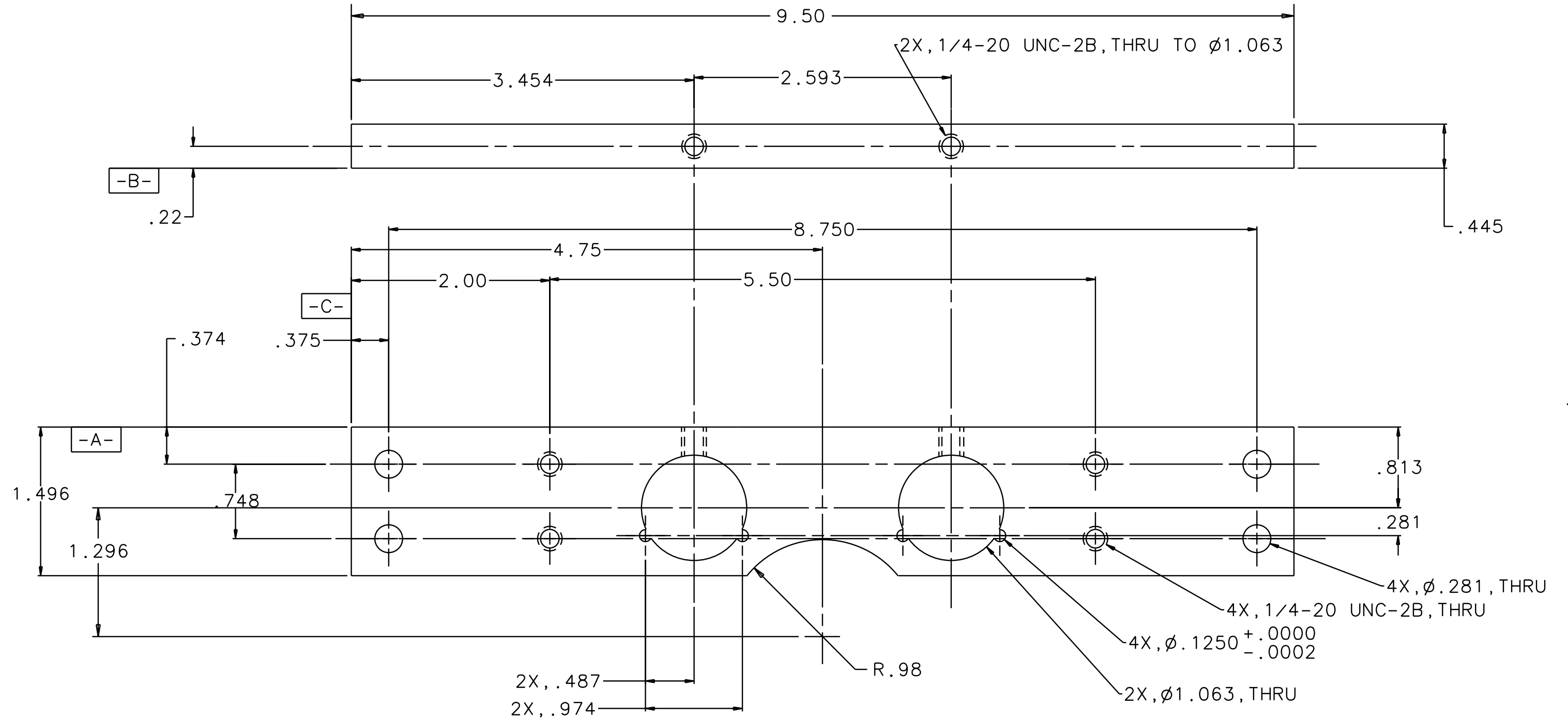


NOTES: (UNLESS OTHERWISE SPECIFIED)

1. DIMENSIONS IN INCHES.
2. BREAK ALL SHARP EDGES.
3. FILLETS: R.015 MAX.

REV	DATE	DRAWN BY	CHECKED	DCC	DCN/DESCRIPTION
A	8/01/01	J. Romie			E010031/INITIAL RELEASE



QTY REQD	FSCM NO	PART OR IDENTIFYING NO	NOMENCLATURE OR DESCRIPTION	MATERIAL SPECIFICATION	ITEM NO
PARTS LIST					
UNLESS OTHERWISE SPECIFIED DIMENSIONS ARE IN INCHES TOLERANCES ARE:			APPROVALS	DATE	LIGO CALIFORNIA INSTITUTE OF TECHNOLOGY MASSACHUSETTS INSTITUTE OF TECHNOLOGY
FRACTIONS DECIMALS			DRAWN J. Hazel	10/96	
DO NOT SCALE DRAWING			CHECKED		TITLE HEAD HOLDER, TOP
NEXT ASSEMBLY D950104			MATERIAL 300 SERIES SST		DWG NO. D950116
FILE LOCATION /home/dcc/docs/D950116.pdf			FINISH 64 MACHINE ALL OVER		REV A
SCALE 1/1				SHEET 1 OF 1	