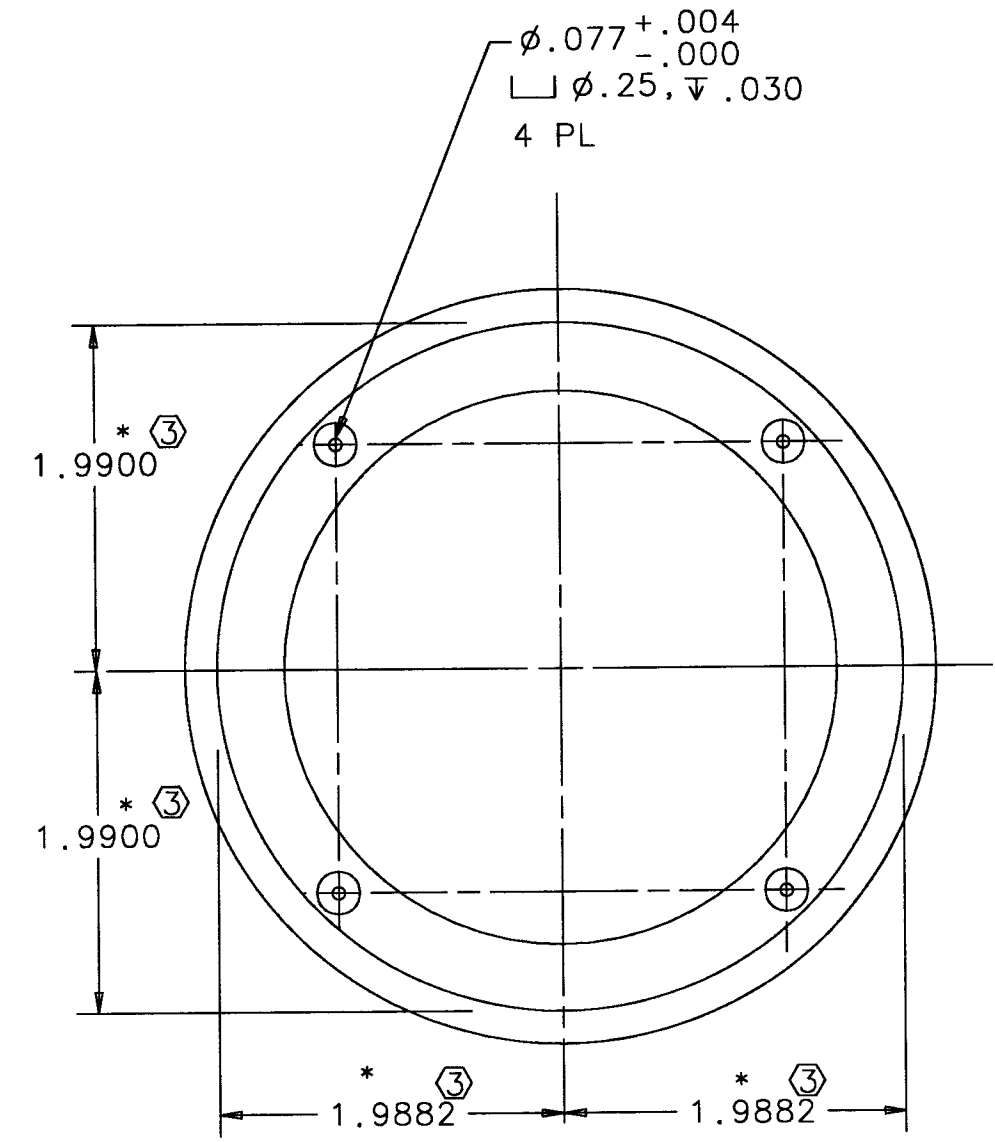
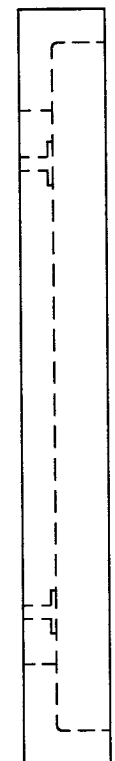
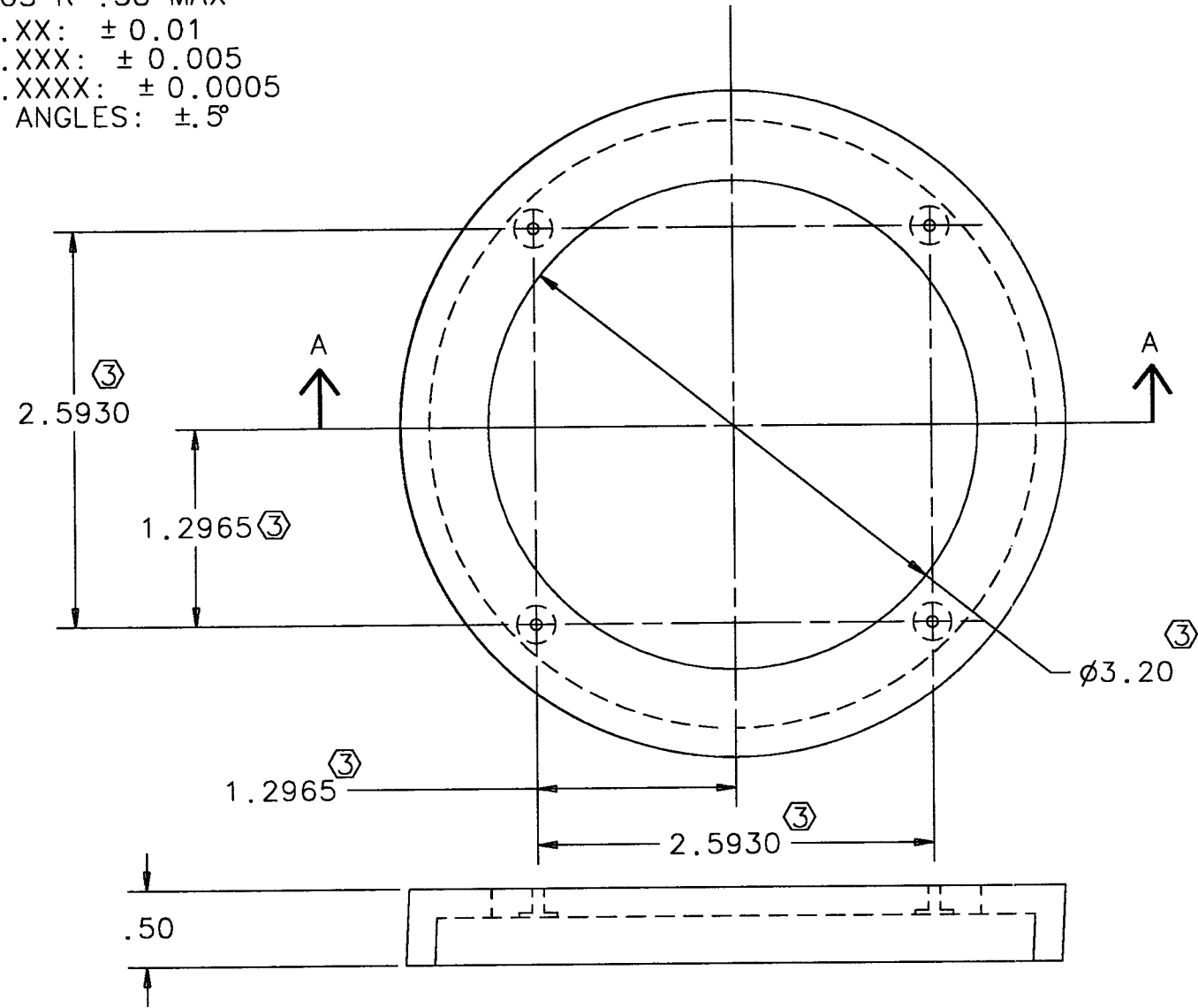
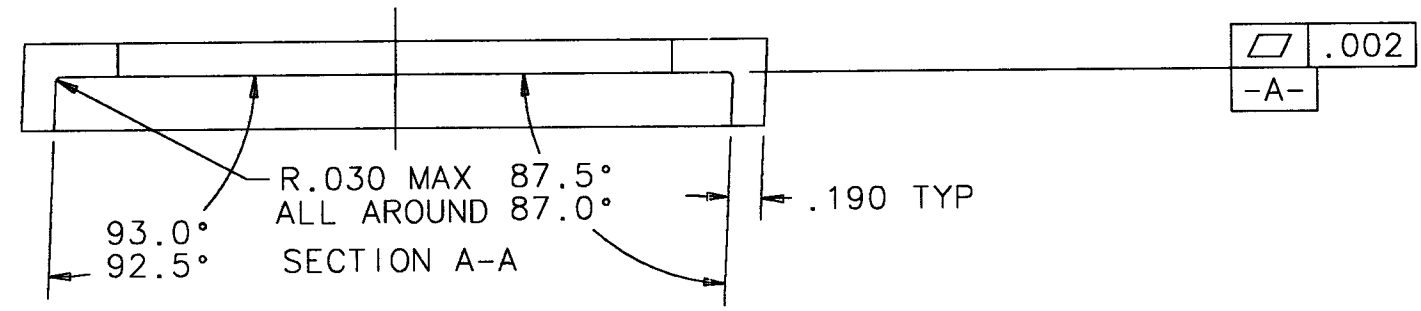


NOTES:

1. MATERIAL: DELRIN OR TEFLON
2. DIMENSIONS IN INCHES
- ③ DIMENSIONS MEASURED AT DATUM -A-
4. FILLET RADIUS R .38 MAX
5. TOLERANCES: .XX: ± 0.01
 .XXX: ± 0.005
 .XXXX: ± 0.0005
 ANGLES: ± .5°



* NUMBERS TO CHANGE



FIXTURE, MAGNET/STANDOFF BONDING
 END TEST MASS
 TWO DEGREE WEDGE
 4"φ X 3.5" THICK
 D950153-00