

1

2

3

4

NOTES: (UNLESS OTHERWISE SPECIFIED)

- 1. FILLETS: R .015 MAX
- 2. BREAK ALL SHARP EDGES .01/.02 X 45°

REV	DATE	DRAWN BY	CHECKED	DCC	DCN/DESCRIPTION
A	7-28-97	J.Hazel			E970121/INITIAL RELEASE

A

A

B

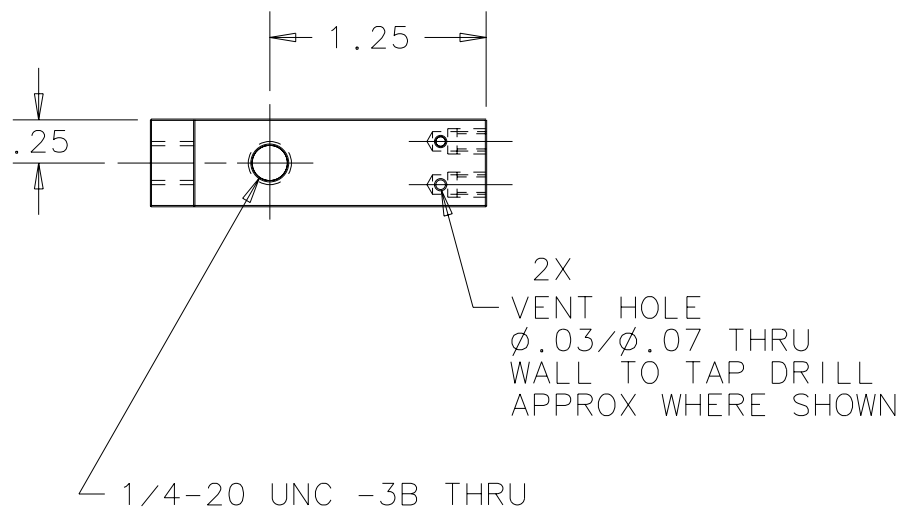
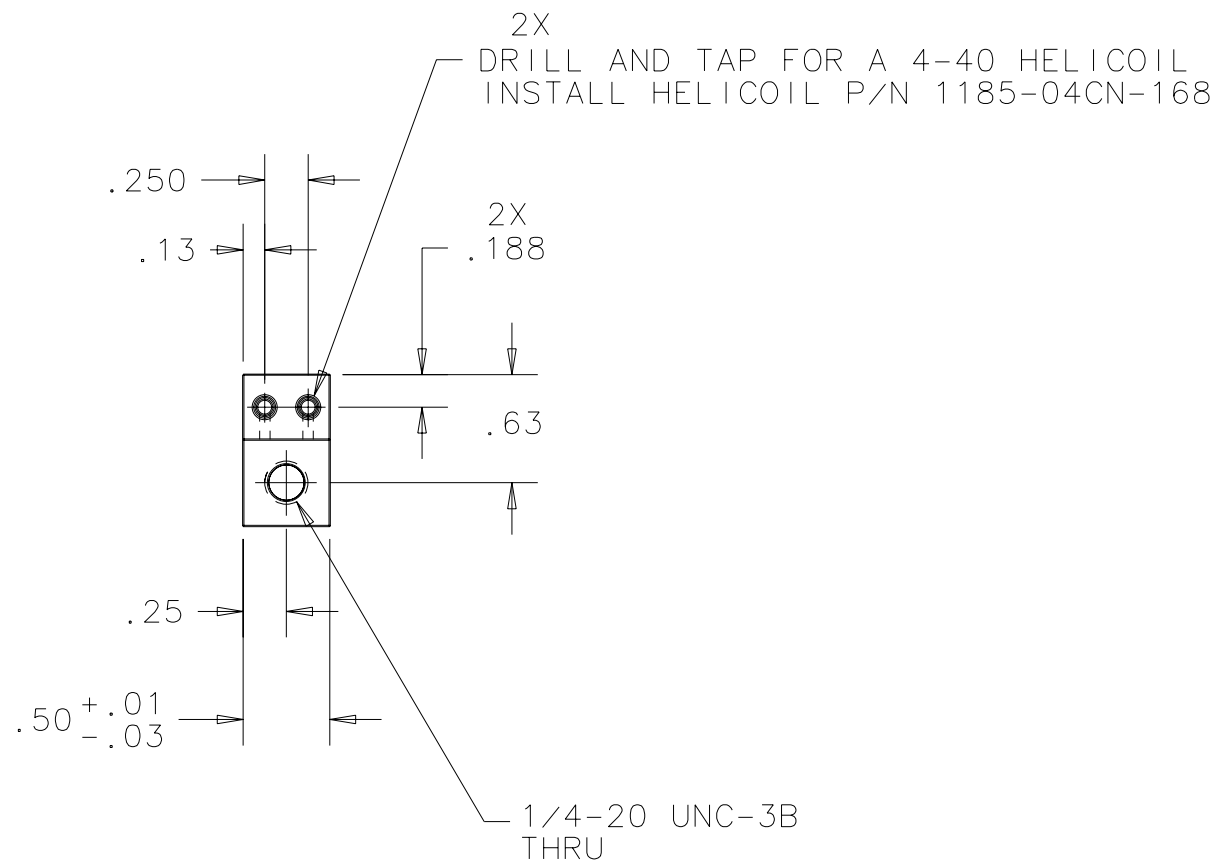
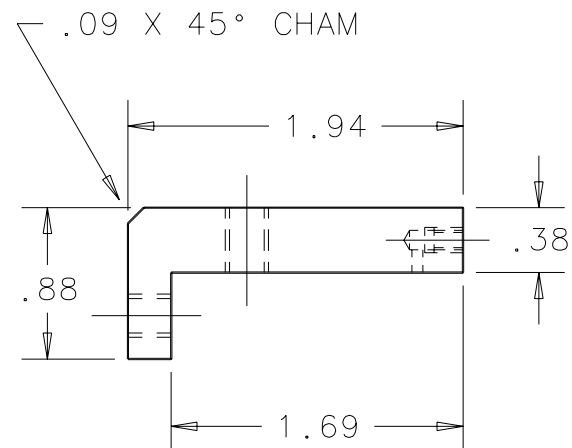
B

C

C

D

D



UNLESS OTHERWISE SPECIFIED DIMENSIONS ARE IN INCHES TOLERANCES ARE: .XX +/- .01 .XXX +/- .005 ANGLES +/- .25°	CALIFORNIA INSTITUTE OF TECHNOLOGY MASSACHUSETTS INSTITUTE OF TECHNOLOGY		LIGO PROJECT	
	MATERIAL ALUM 6061-T6	DRWN	CHK	UPPER MIRROR CLAMP
FINISH 64 ✓	SCALE: 1/1	DRAWING NUMBER D960007-A-D	SHEET 1 OF 1	

/home/dcc/docs/D960007.pdf

1

2

3

4