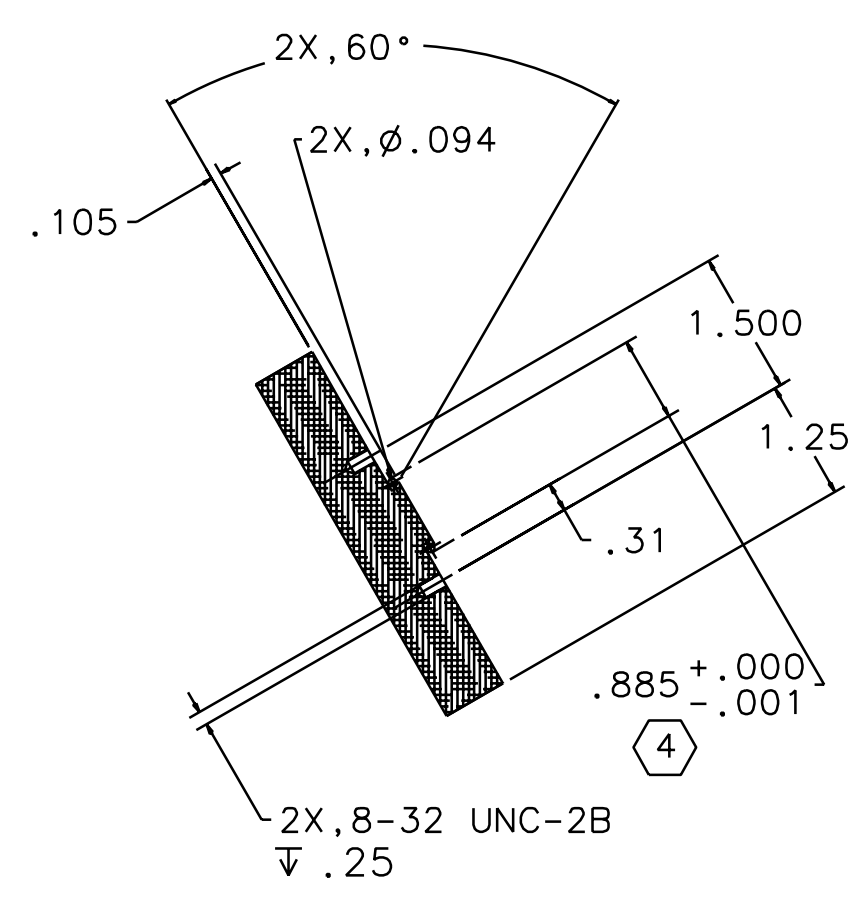
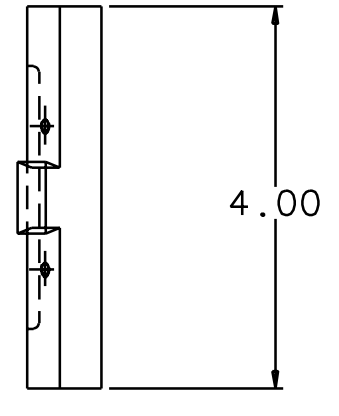
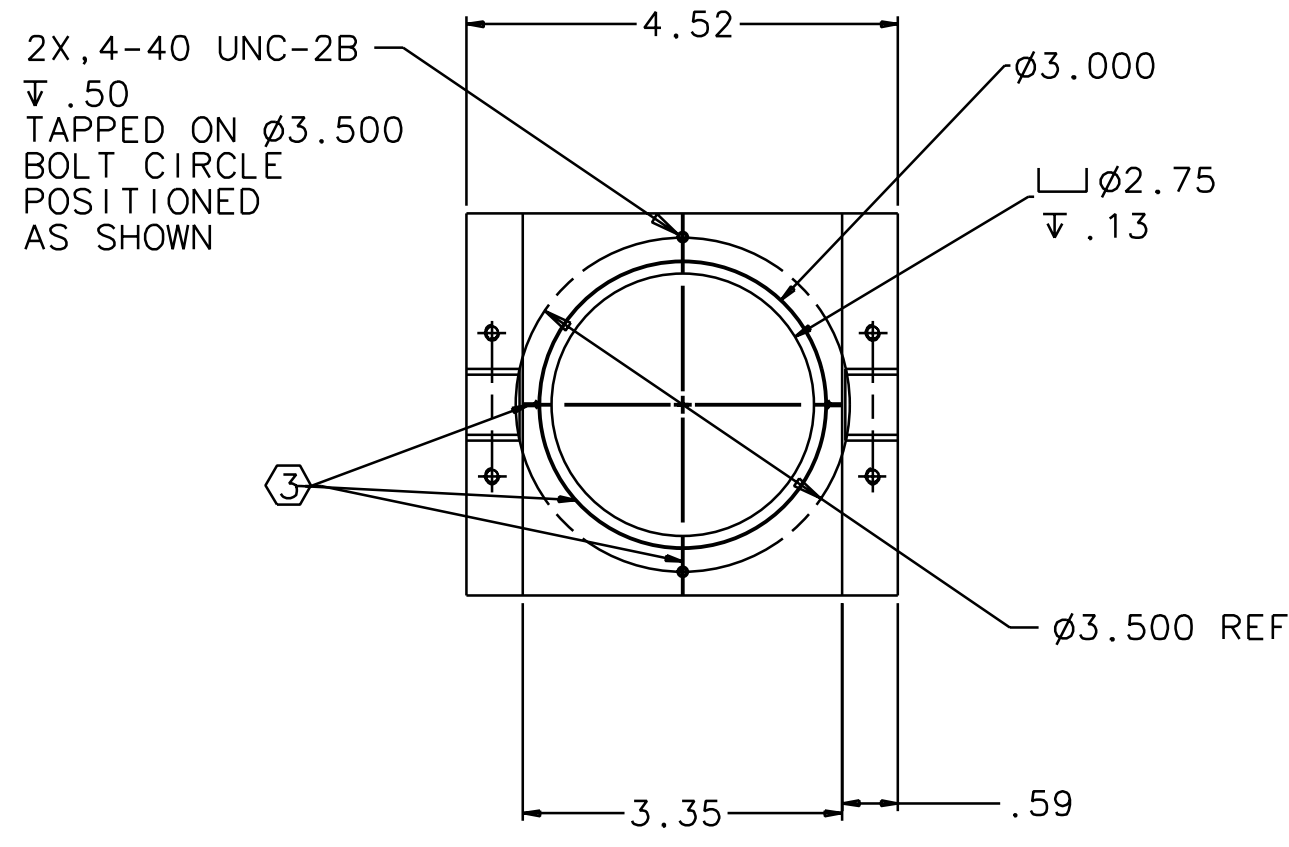


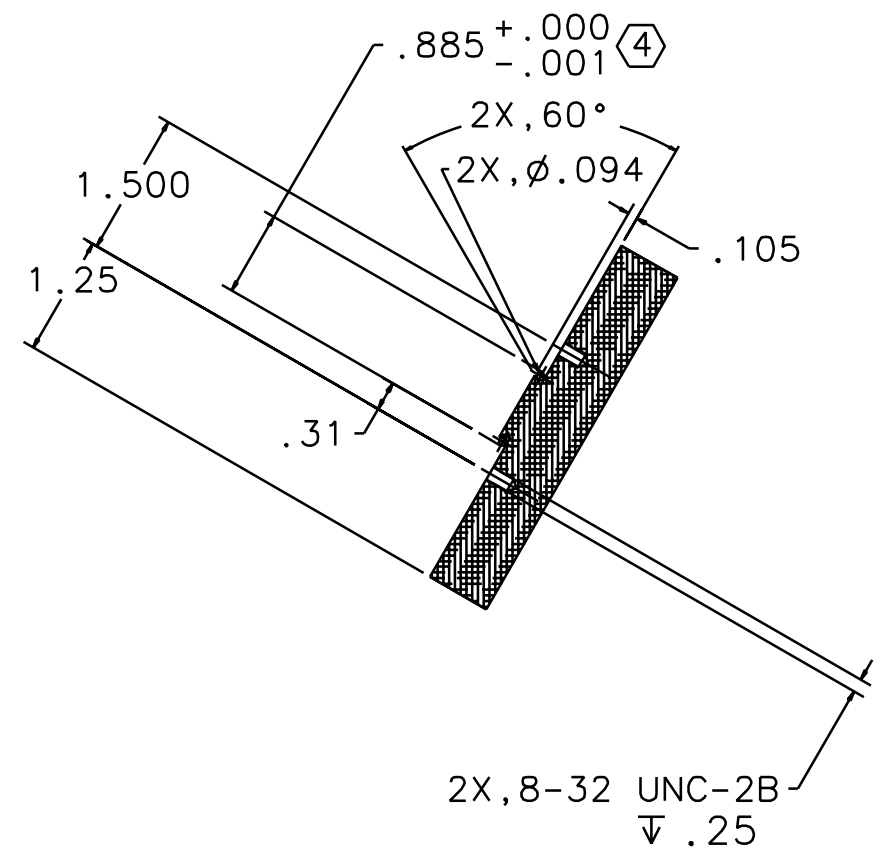
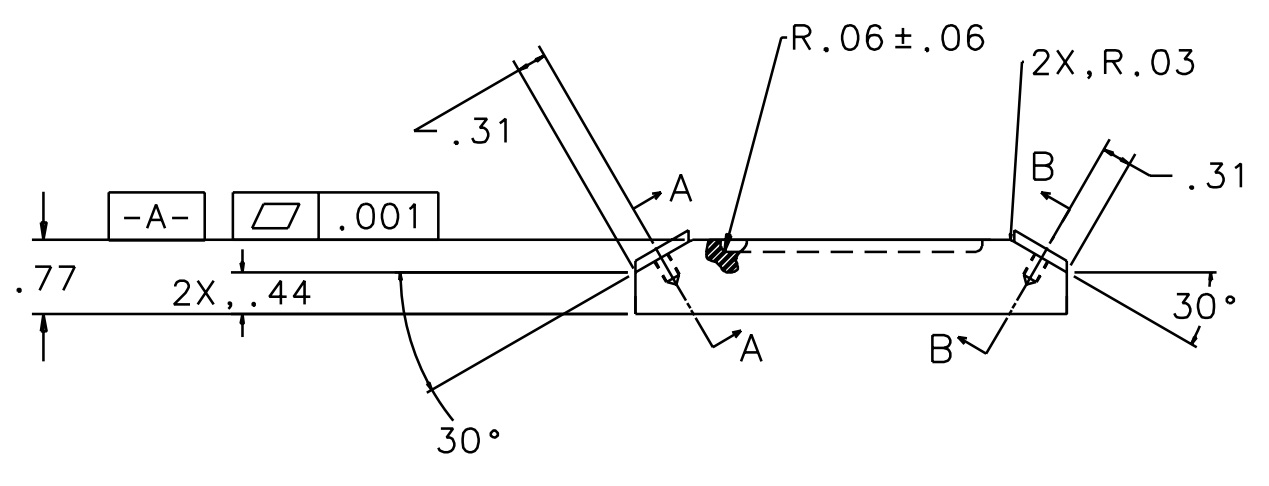
1      2      3      4      5      6      7      8

REV	DATE	DRAWN BY	CHECKED	DCC	DCN/DESCRIPTION
A	7-30-97	J. Hozei			E970121/INITIAL RELEASE

- NOTES: (UNLESS OTHERWISE SPECIFIED)
- THIS FIXTURE IS FOR AN OPTIC THAT IS  $\phi 3.00"$  X  $1.00"$  THICK ( $7.6\text{cm}$  X  $2.5\text{cm}$  THICK) WITH A 0-30 MINUTE HORIZONTAL WEDGE. REMOVE BURRS AND SHARP EDGES.
  - ETCH ARROWS, CIRCLE AND CENTERLINES IN POSITION SHOWN,  $.02$  WIDE AND  $.02$  BELOW [-A-]
  - THIS PART TO BE A CLOSE SLIP FIT WITH THE RIGHT BLOCK, TOP P/N D970066 AND LEFT BLOCK, TOP P/N D960018.



SECTION A-A



SECTION B-B

UNLESS OTHERWISE SPECIFIED DIMENSIONS ARE IN INCHES FRACTIONS DECIMALS ANGLES XX = $\pm .01 \pm 5'$ XXX = $\pm .005$		APPROVALS	DATE	PARTS LIST	
DO NOT SCALE DRAWING		J. Hozei	5/96	L I G O CALIFORNIA INSTITUTE OF TECHNOLOGY MASSACHUSETTS INSTITUTE OF TECHNOLOGY	
NEXT ASSEMBLY	MATERIAL	TITLE		REV	
D960022	ALUMINUM	BASE PLATE		A	
FILE LOCATION /home/dcc/docs/D960017.pdf	FINISH NONE	SIZE E		D960017	
		SCALE 1/1		SHEET 1 OF 1	

1      2      3      4      5      6      7      8