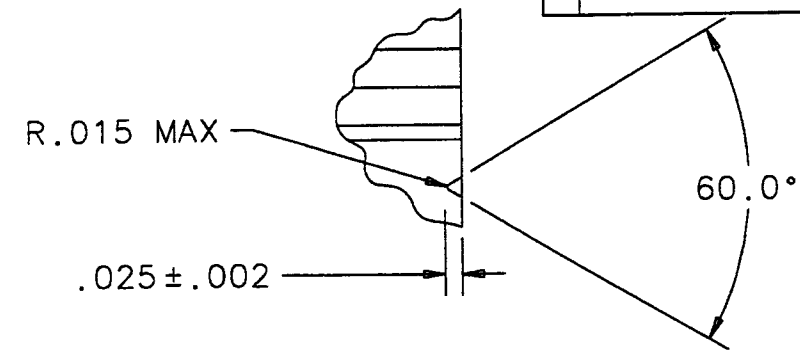
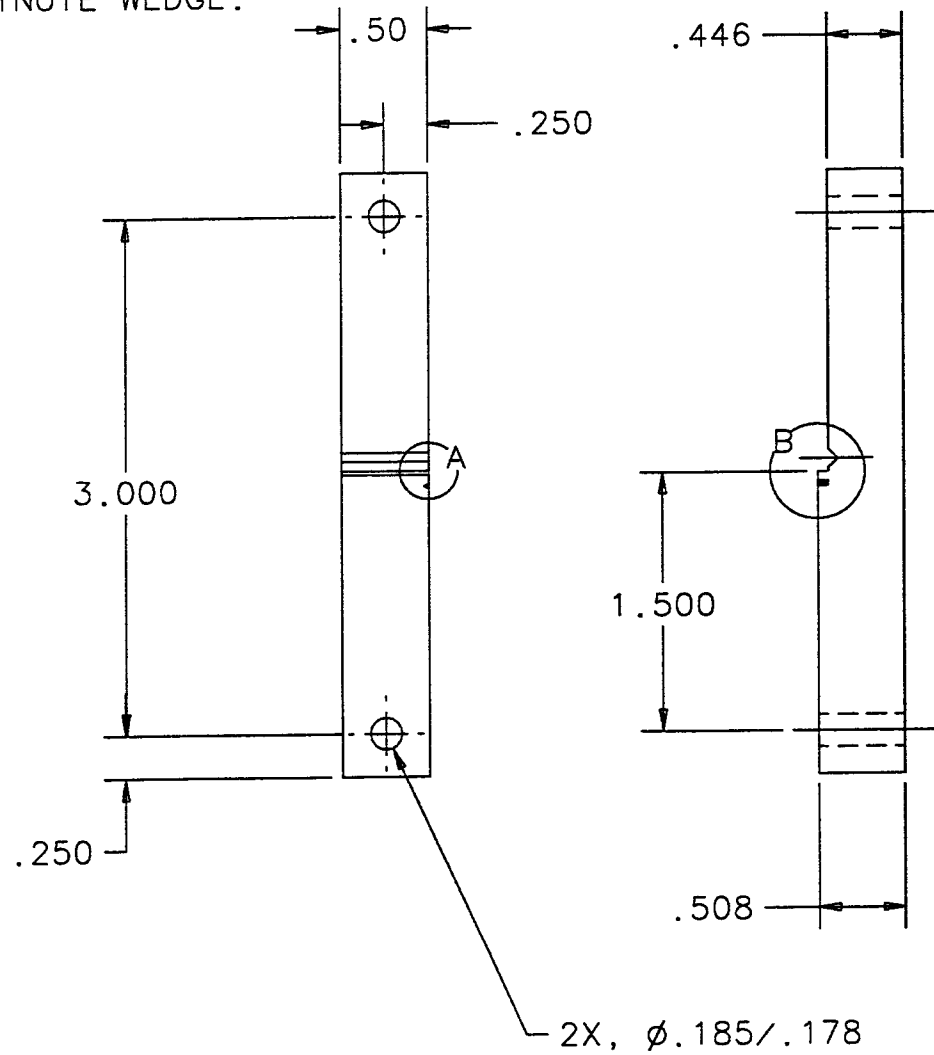
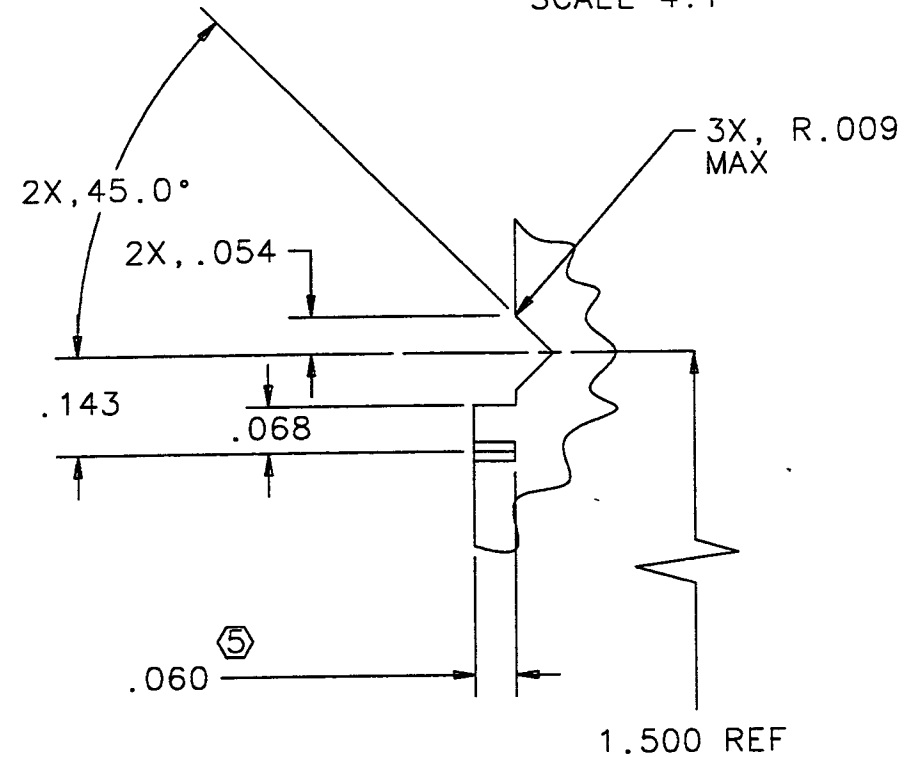


NOTES: UNLESS OTHERWISE SPECIFIED

1. DIMENSIONS IN INCHES.
2. MATERIAL: TEFLON
3. BREAK ALL SHARP EDGES.
4. TOLERANCES: .XX ± .01
.XXX ± .005
ANGLES: ± 1°
- ⑤ AN UNDERCUT AND/OR PIN MAY BE USED TO ACHIEVE THIS DIMENSION.
6. FOR $\phi 3.00$ " X 1.00" OPTIC WITH 0-30 MINUTE WEDGE.



VIEW A
SCALE 4:1



VIEW B
SCALE 4:1

REV	DESCRIPTION OF CHANGE	APPROVAL	DATE

QTY REQD	FSOM NO	PART OR IDENTIFYING NO	NOMENCLATURE OR DESCRIPTION	MATERIAL SPECIFICATION	ITEM NO
PARTS LIST					
UNLESS OTHERWISE SPECIFIED DIMENSIONS ARE IN IN (mm) TOLERANCES ARE: FRACTIONS DECIMALS			APPROVALS DRAWN J. Hazel CHECKED	DATE 1/96	LIGO CALIFORNIA INSTITUTE OF TECHNOLOGY MASSACHUSETTS INSTITUTE OF TECHNOLOGY
DO NOT SCALE DRAWING			TITLE LEFT BLOCK		
MATERIAL SEE NOTES			SIZE B	DWG NO. D960019	REV 00
FINISH NONE			FILENAME ~janeen/D960019.asc		
SCALE 1/1			SHEET 1 OF 1		