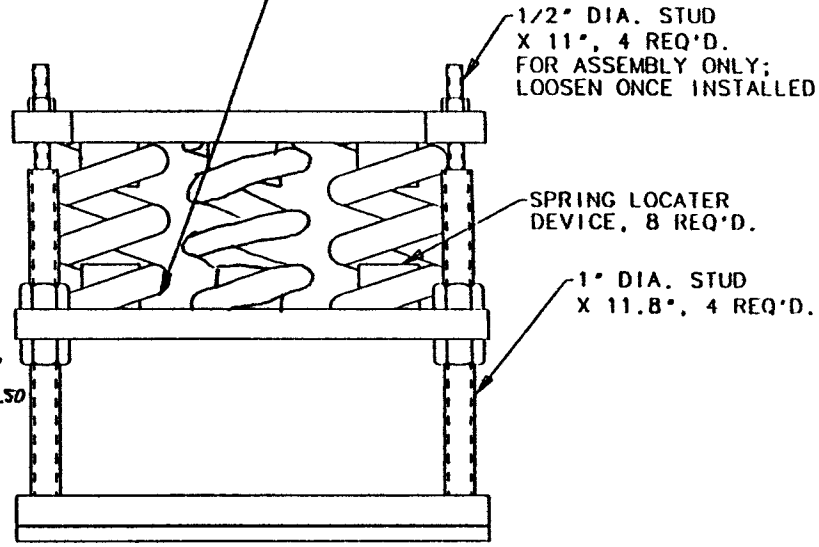
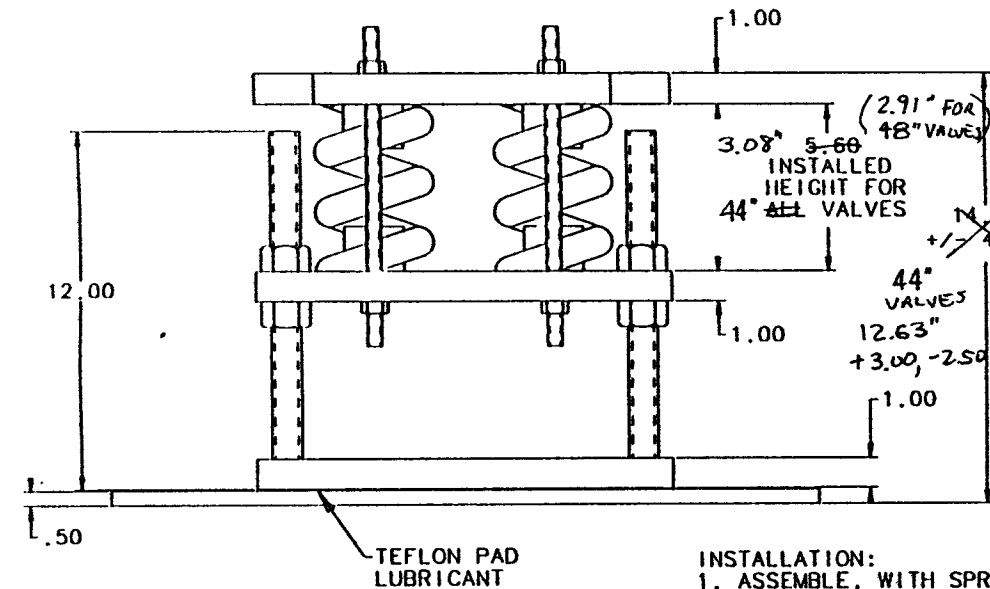


6
 DIE SPRING, 4 REQ'D.
 MCMASTER-CARR #9295K99 9295K94
 OR EQUAL. 1536 LB EACH
 AT 2 1/4" DEFLECTION.
 8" FREE LENGTH. 1603
 4" 1.2"



- INSTALLATION:
1. ASSEMBLE, WITH SPRING PACK HEIGHT AT 5.70" (44° VALVE), 2.96" (48° VALVE)
 2. MEASURE HEIGHT OF GATE VALVE BODY ABOVE SLAB
 3. BEFORE PLACING UNDER VALVE, ADJUST OVERALL SUPPORT HEIGHT TO VALVE HEIGHT, -0.05" BY ADJUSTING 1" NUTS
 4. LOCATE SUPPORT UNDER VALVE, WITH SPRINGS CENTERED UNDER VALVE FACE, PLATES AND SUPPORT CENTERED ON VALVE BODY
 5. ADJUST 1" NUTS UNTIL SPRING PACK HEIGHT IS 5.60" (44° VALVE), 2.91" (48° VALVE)
 3.08" (44° VALVE), 2.96" (48° VALVE)
 6. LOOSEN 1/2" NUTS AN ADDITIONAL 0.5"

ALL DIMENSIONS ARE IN INCHES

LIGO PROJECT	
DATE	REV
DESIGNER	APP'N
CHECKED	DATE
BY	NO.
NTS	09600511-11A

EDITION: 3/12/96
 J. Dones 7/19/96