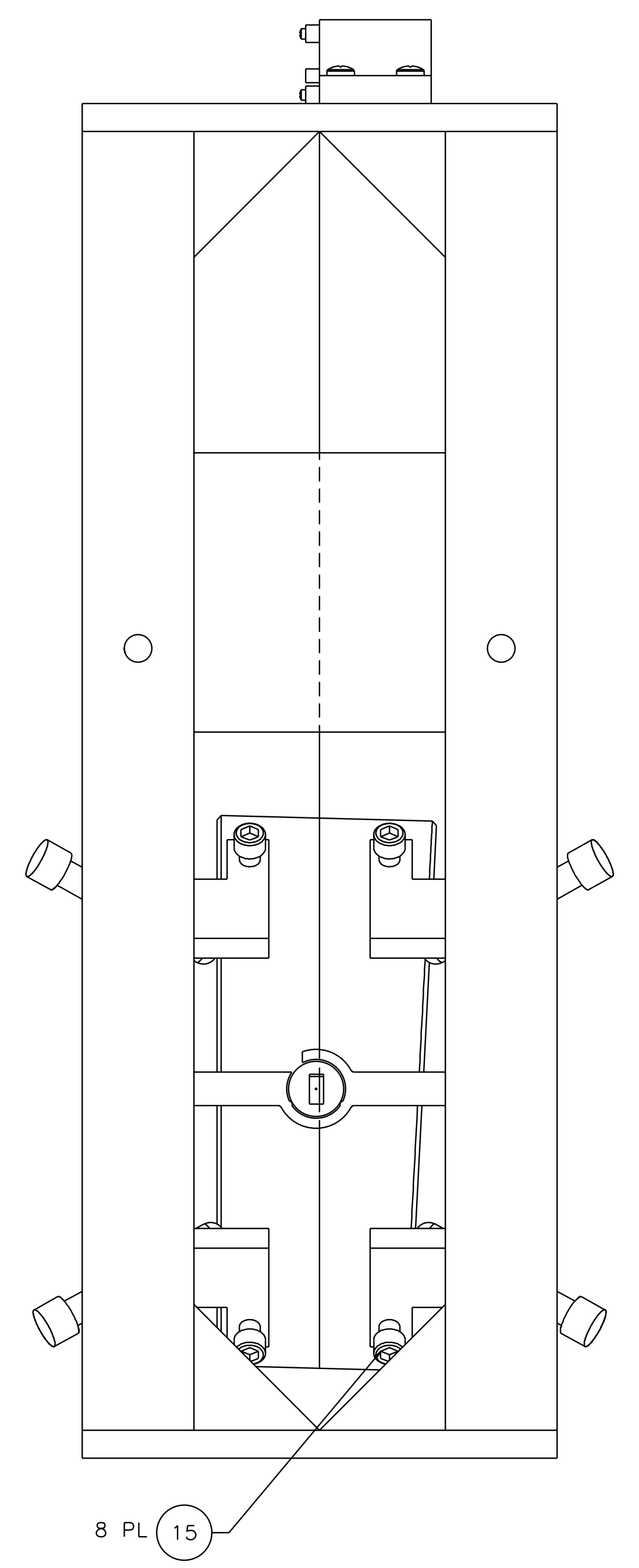
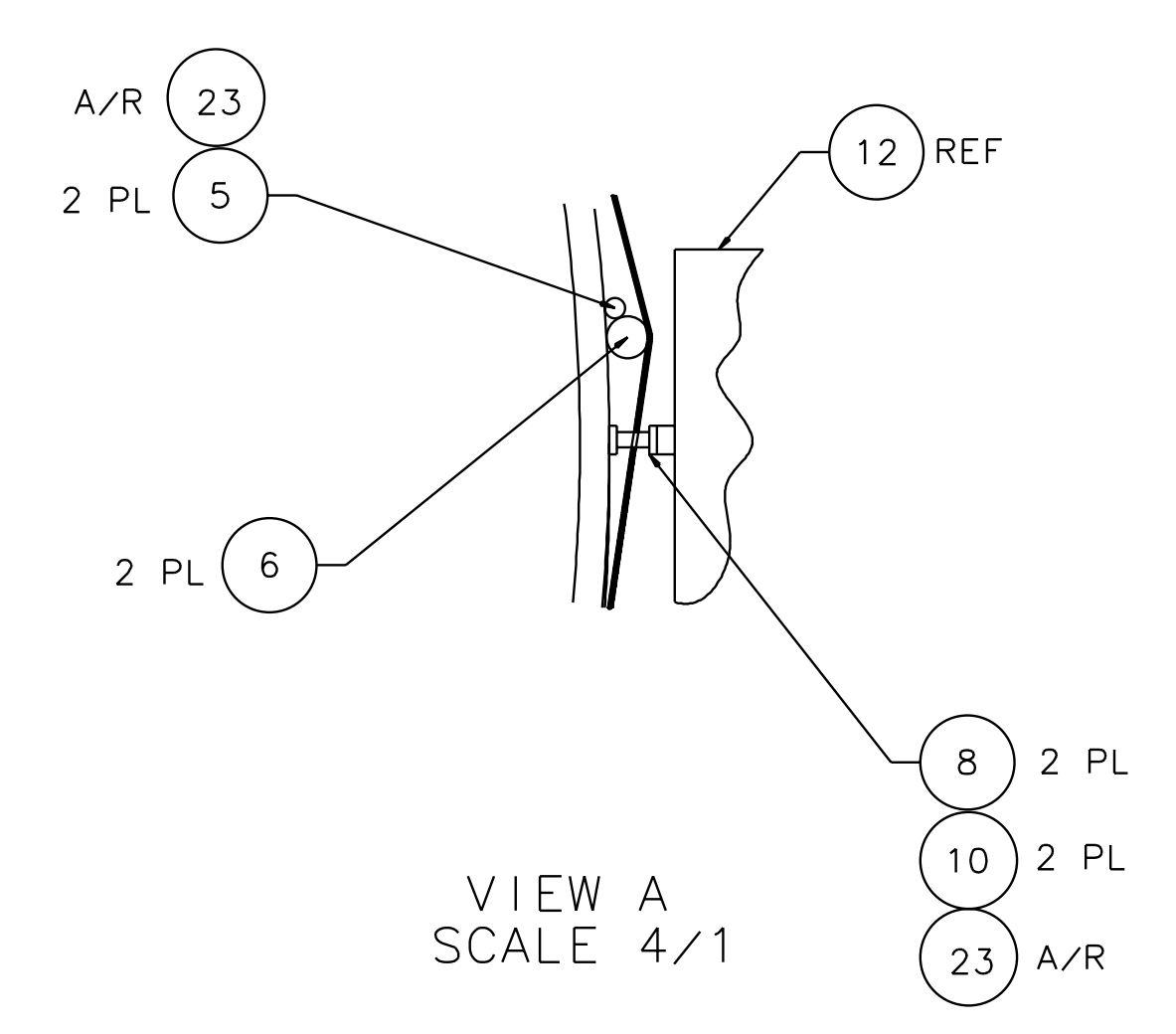
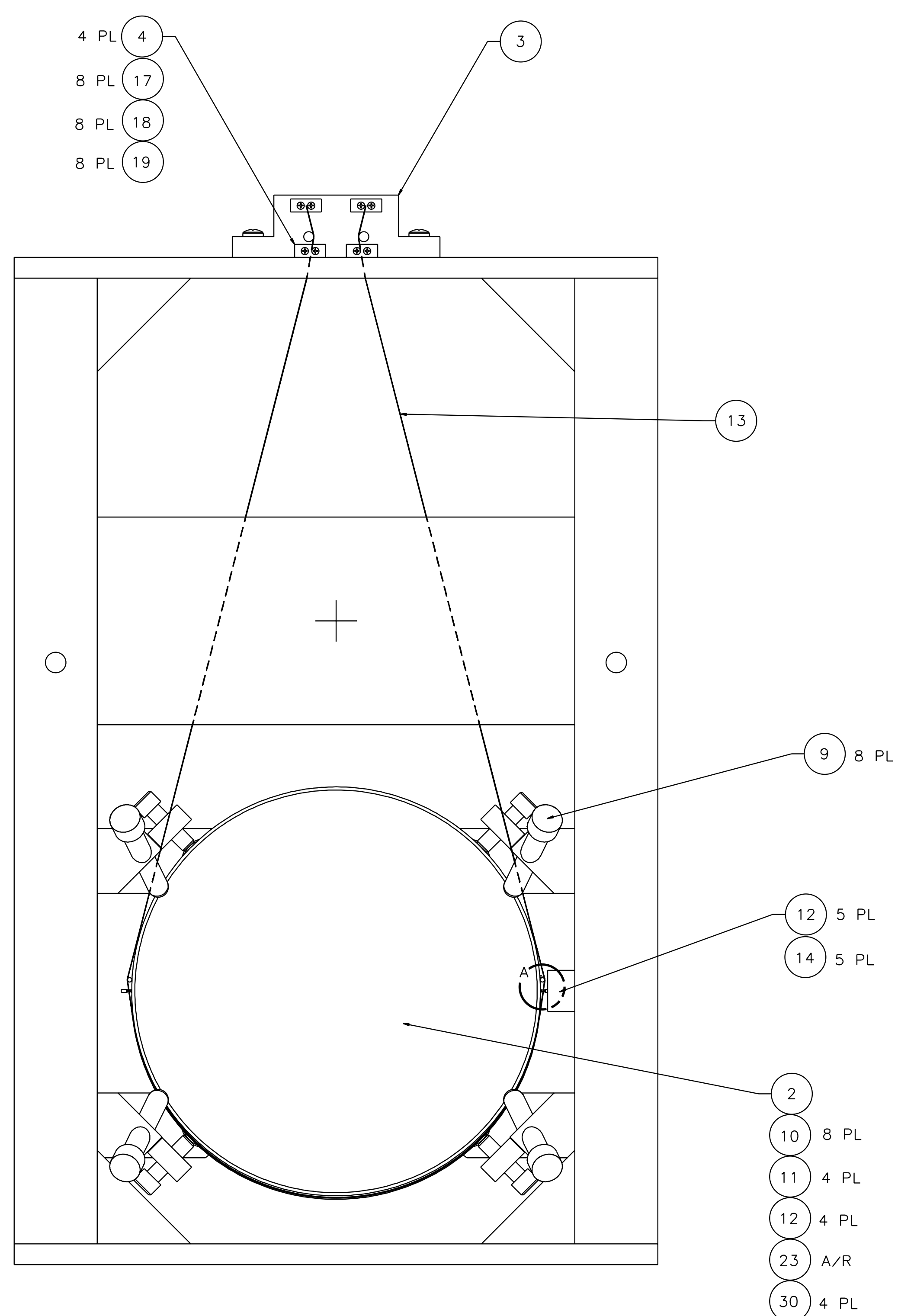
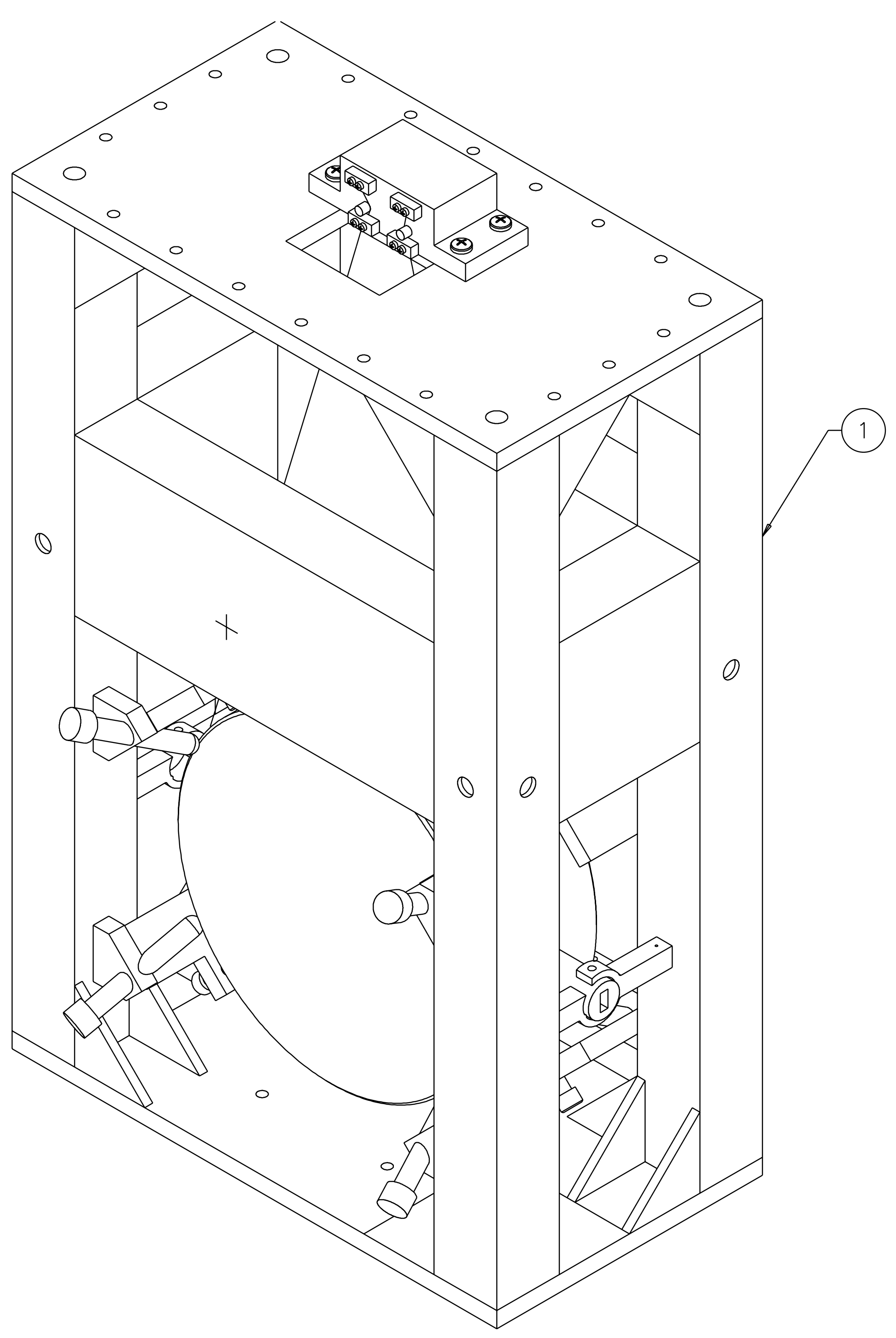
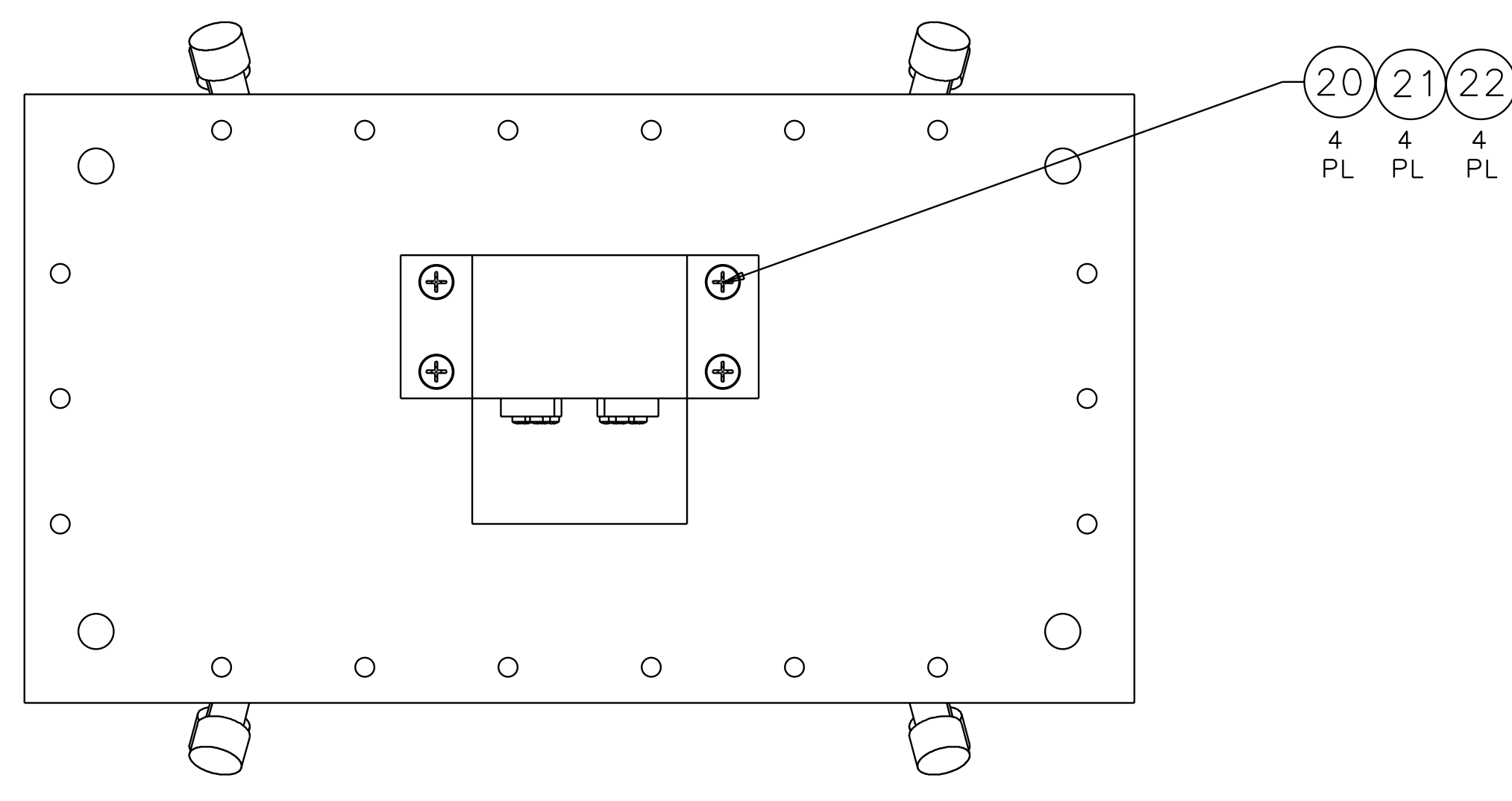


NOTES: (UNLESS OTHERWISE SPECIFIED)
 1. SPECIFICATIONS FOR THE CONSTRUCTION OF THIS ASSEMBLY ARE COVERED IN THE LARGE OPTIC SUSPENSION BALANCING SPECIFICATION, LIGO E970154.
 HEIGHT ADAPTER IS NOT SHOWN FOR CLARITY. IT IS BOLTED TO THE TOP OF THE LOS STRUCTURE ASSEMBLY USING THE HARDWARE ITEM NOS. 25-28. INSTRUCTIONS INCLUDED IN LIGO E970154.

REV	DATE	DRAWN BY	CHECKED	DCC	DCN/DESCRIPTION
A	1/19/98	J. Hazel		L. Turner	E980004/INITIAL RELEASE
B	4/8/98	C. Conley			E980077/UPDATE PARTS LIST
C	4/27/01	J. Romie			E010077/INCORPORATE B1



				41
				40
				39
				38
	D990186	SIDE BLOCKS, ETM, MMT3, FM		37
	D970180	WINCH FIXTURE		36
	D960753	FIXTURE, WIRE AND OPTICS		35
	D960147	FIXTURE, GUIDE ROD		34
	D990159	FIXTURE, MAGNET/STAND. GLUING		33
	D970169	MAGNET STRENGTH FIXTURE		32
	D970616	COIL STRENGTH FIXTURE		31
	D970615	PAM SCREW		30
				29
18		1/4-20 x 1.5 LG SHCS	STAINLESS	28
18		1/4-20 LOCK WASHER	STAINLESS	27
18		1/4-20 FLAT WASHER	STAINLESS	26
18	U-C COMPONENTS P/N N-2520-A	1/4-20 HEX NUT	STAINLESS, Ag PLTD	25
1	D960145	HEIGHT ADAPTER	(2)	24
A/R		EPOXY, VAC-SEAL		23
4	COMMERCIAL EQUIV NAS620416L	WASHER, FLAT, #1/4	STAINLESS	22
4	COMMERCIAL EQUIV MS35338-139	WASHER, SPLIT LOCK, #1/4	STAINLESS	21
4	U-C COMPONENTS P/N C-2016-NA	SCREW, SHCS, 1/4-20 x 1.00	STAINLESS, Ag PLTD	20
8	COMMERCIAL EQUIV NAS620C4L	WASHER, FLAT, #4	STAINLESS	19
8	COMMERCIAL EQUIV MS35338-135	WASHER, SPLIT LOCK, #4	STAINLESS	18
8	U-C COMPONENTS P/N C-408-NA	SCREW, SHCS, 4-40 x .50	STAINLESS, Ag PLTD	17
				16
8	D990690	LOS SAFETY STOP		15
6	U-C COMPONENTS P/N T-1003-NA	SET SCREW, SOCKET, 10-32 x .188	STAINLESS, Ag PLTD	14
A/R		WIRE, ϕ .0120 \pm -.0003*	MUSIC WIRE	13
5	D960138	SENSOR/ACTUATOR HEAD ASSEMBLY		12
4	D970075	DUMBELL STANDOFF		11
10	D960501	MAGNET		10
8	D960499	LOS CHAMFER STOP		9
2	D960149	LOS SIDE STANDOFF		8
				7
2	D960755	LOS LARGE WIRE STANDOFF		6
1	D960146	LOS GUIDE ROD		5
4	D960134	LOS CLAMP, SUSPENSION BLOCK		4
1	D960144	LOS SUSPENSION BLOCK		3
1	COATING SPEC E980068	OPTIC, ϕ 25cm x 10cm THICK	[END TEST MASS]	2
1	D960133	LOS STRUCTURE ASSEMBLY		1

UNLESS OTHERWISE SPECIFIED DIMENSIONS ARE IN INCHES TOLERANCES ARE: FRACTIONS DECIMALS ANGLES

APPROVALS DATE LIGO CALIFORNIA INSTITUTE OF TECHNOLOGY MASSACHUSETTS INSTITUTE OF TECHNOLOGY

DRAWN J. Hazel 5/96 TITLE LARGE OPTIC SUSPENSION ASSEMBLY (LOS1a) FOR END TEST MASS

CHECKED

DO NOT SCALE DRAWING

NEXT ASSEMBLY FINAL MATERIAL N/A

FILE LOCATION home/dcc/docs/0960132.pdf FINISH N/A

SIZE E D960132 REV C

SCALE 1/2 SHEET 1 OF 1