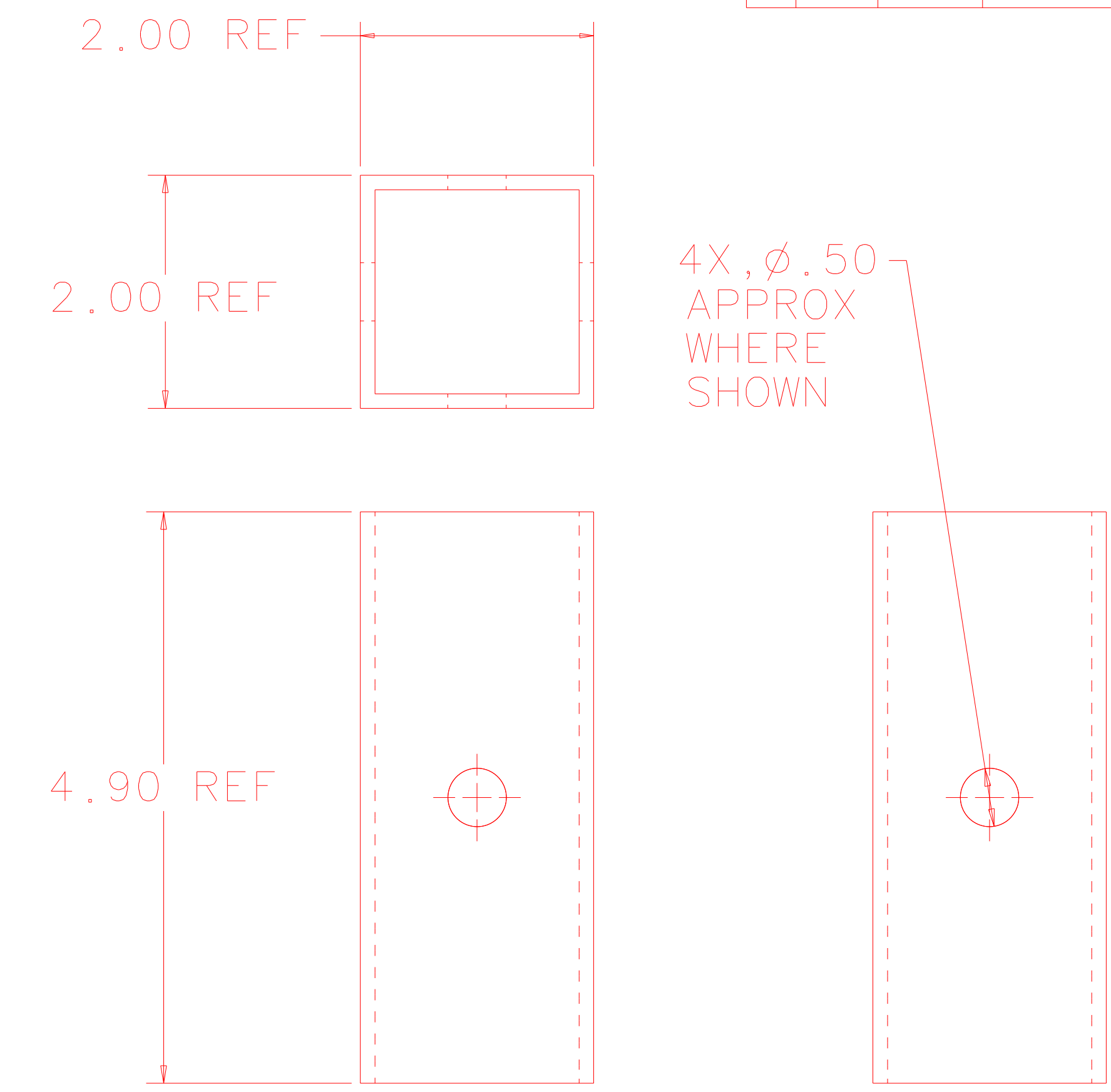
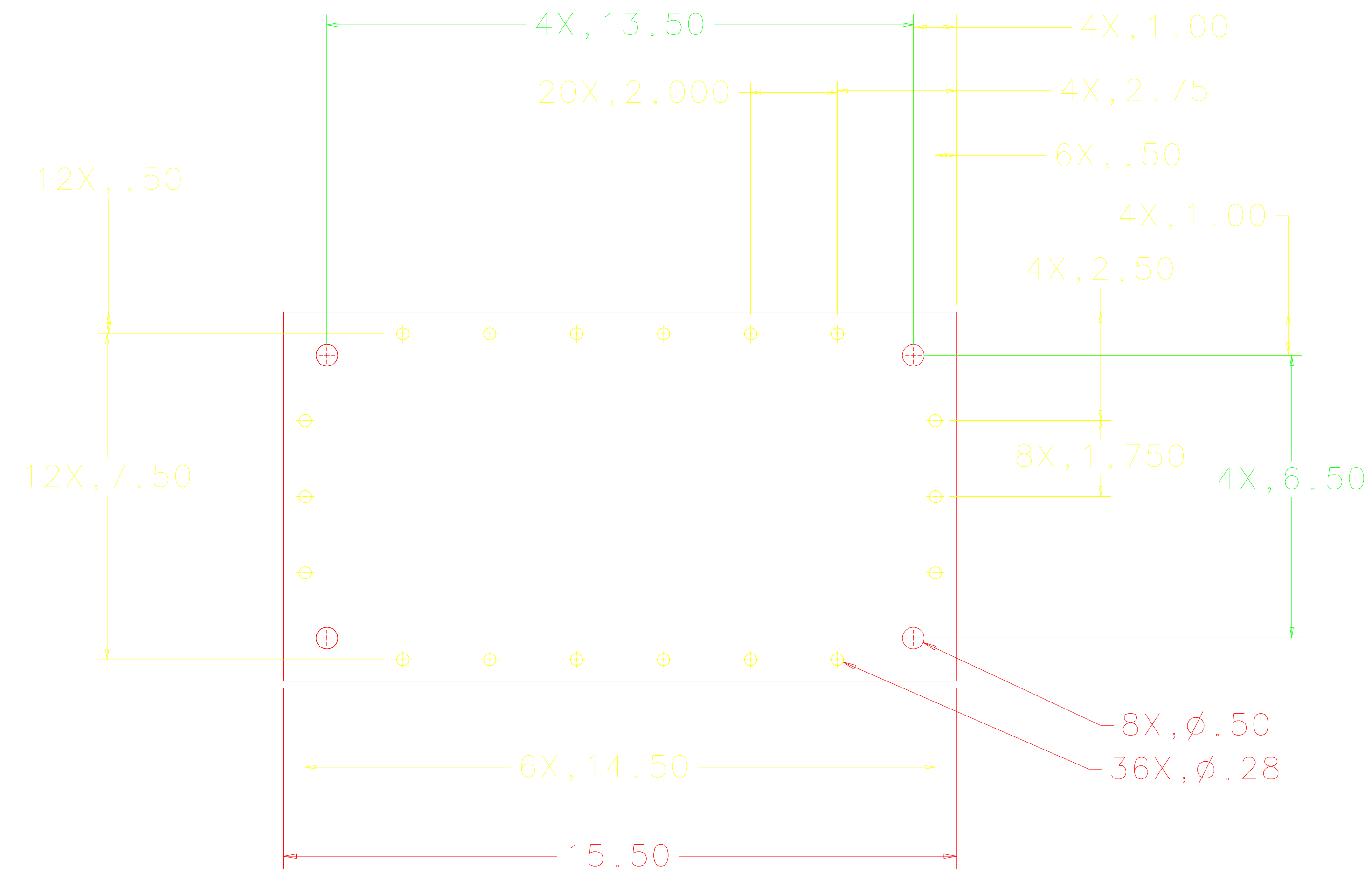
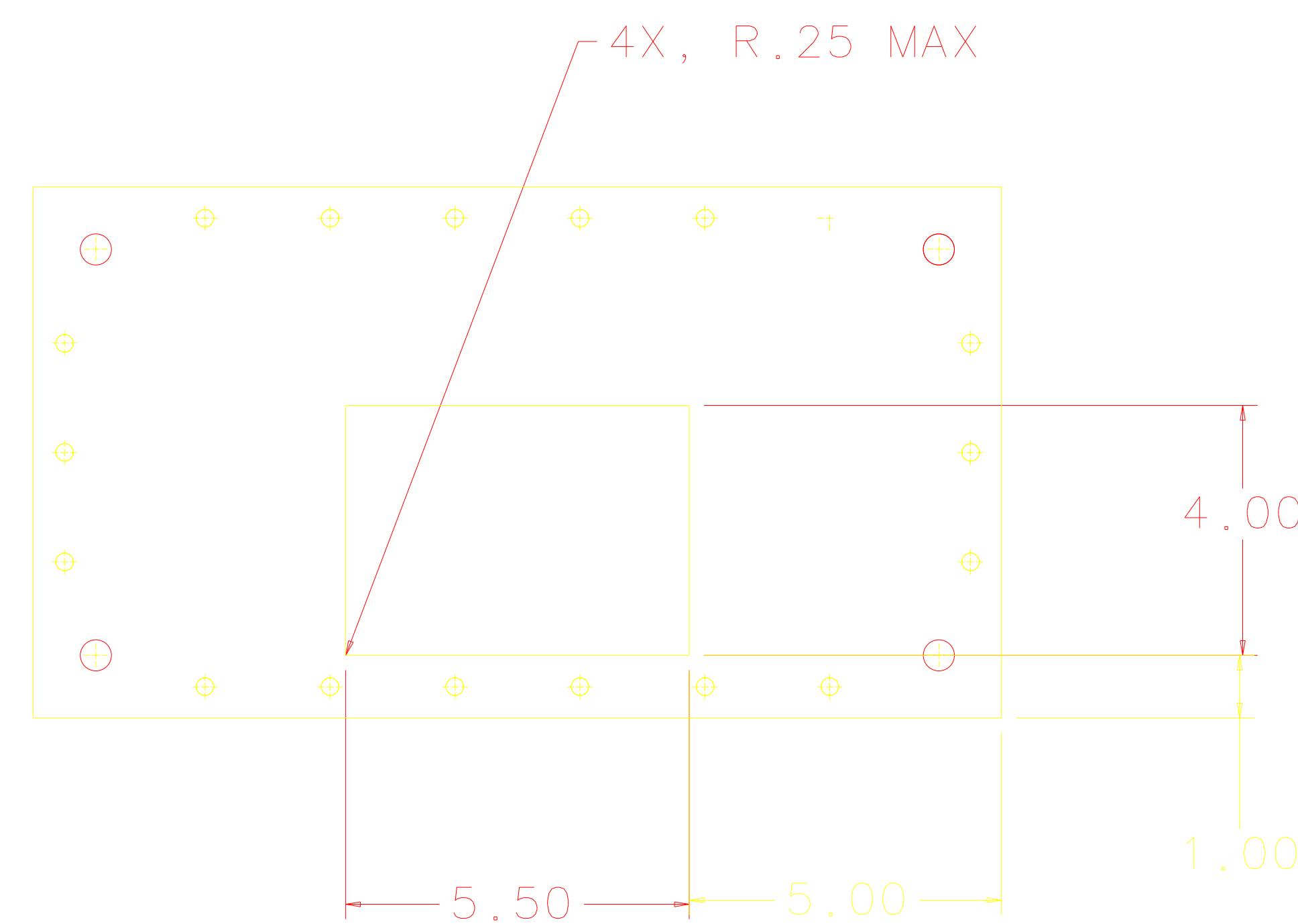
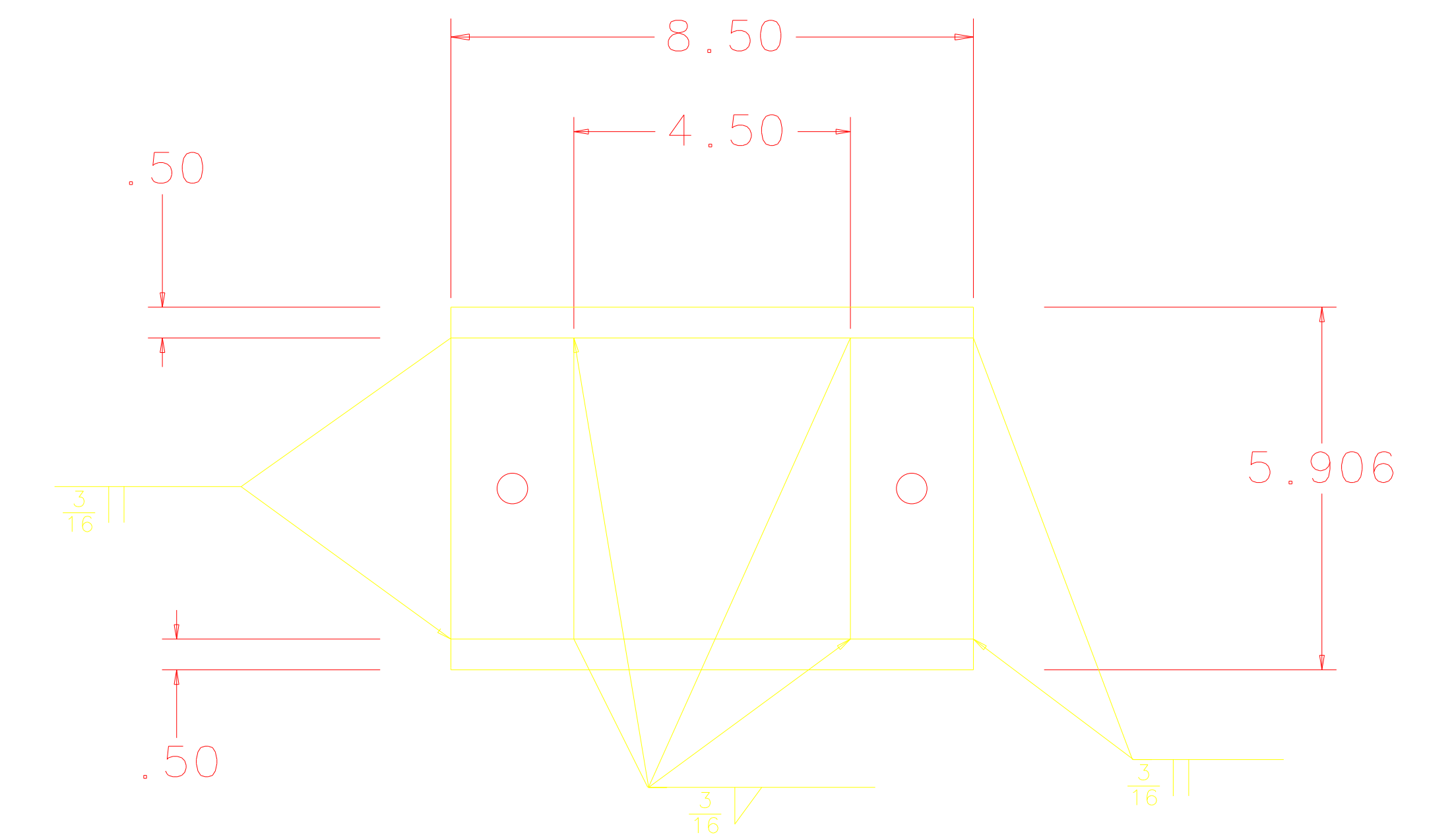
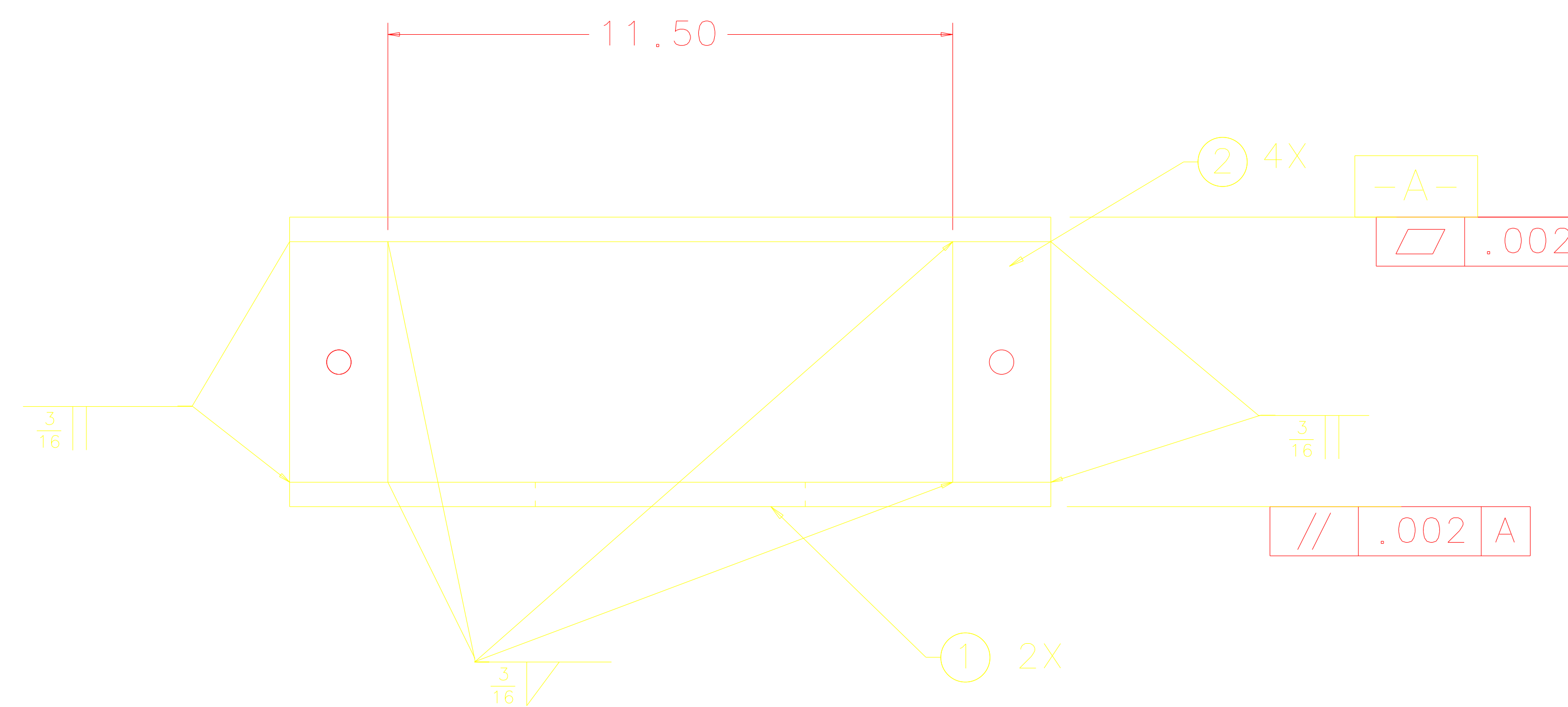


NOTES: (UNLESS OTHERWISE SPECIFIED)  
 1. BREAK ALL SHARP EDGES.  
 2. SPECIFICATIONS FOR THE CONSTRUCTION OF THIS ASSEMBLY ARE COVERED IN THE LARGE OPTIC SUSPENSION SPECIFICATION, LIGO E970038.

REV	DATE	DRAWN BY	CHECKED	DC	DCN/DESCRIPTION
A	1/19/98	J. HAZEL			E980004/INITIAL RELEASE



LEG DETAIL  
SCALE 1/1



NEXT ASSEMBLY  
D960132, D970560, D970572  
 FILE LOCATION  
home/dcc/docs/D960145.pdf

4	LEGS: 2.0 x 2.0 x .125 WALL THICKNESS	304 STAINLESS	2		
2	PLATES: 15.5 x 8.5 x .5 (REF)	304 STAINLESS	1		
REV	DATE	DRAWN BY	CHECKED	DC	DCN/DESCRIPTION
A	5/96	J. Hazel			E980004/INITIAL RELEASE

UNLESS OTHERWISE SPECIFIED DIMENSIONS ARE IN INCHES TOLERANCES ARE:  
 FRACTIONS DECIMALS ANGLES  
 0.XX±0.01  
 0.XXX±0.005  
 ANGLES±0.5°

APPROVALS

DATE

TITLE

SCALE 1/2

SHEET 1 OF 1

MATERIAL 304 STAINLESS		PARTS LIST	
FINISH SEE NOTES		LIGO CALIFORNIA INSTITUTE OF TECHNOLOGY MASSACHUSETTS INSTITUTE OF TECHNOLOGY	
		LOS HEIGHT ADAPTER ASSEMBLY	
		D960145	
		REV A	