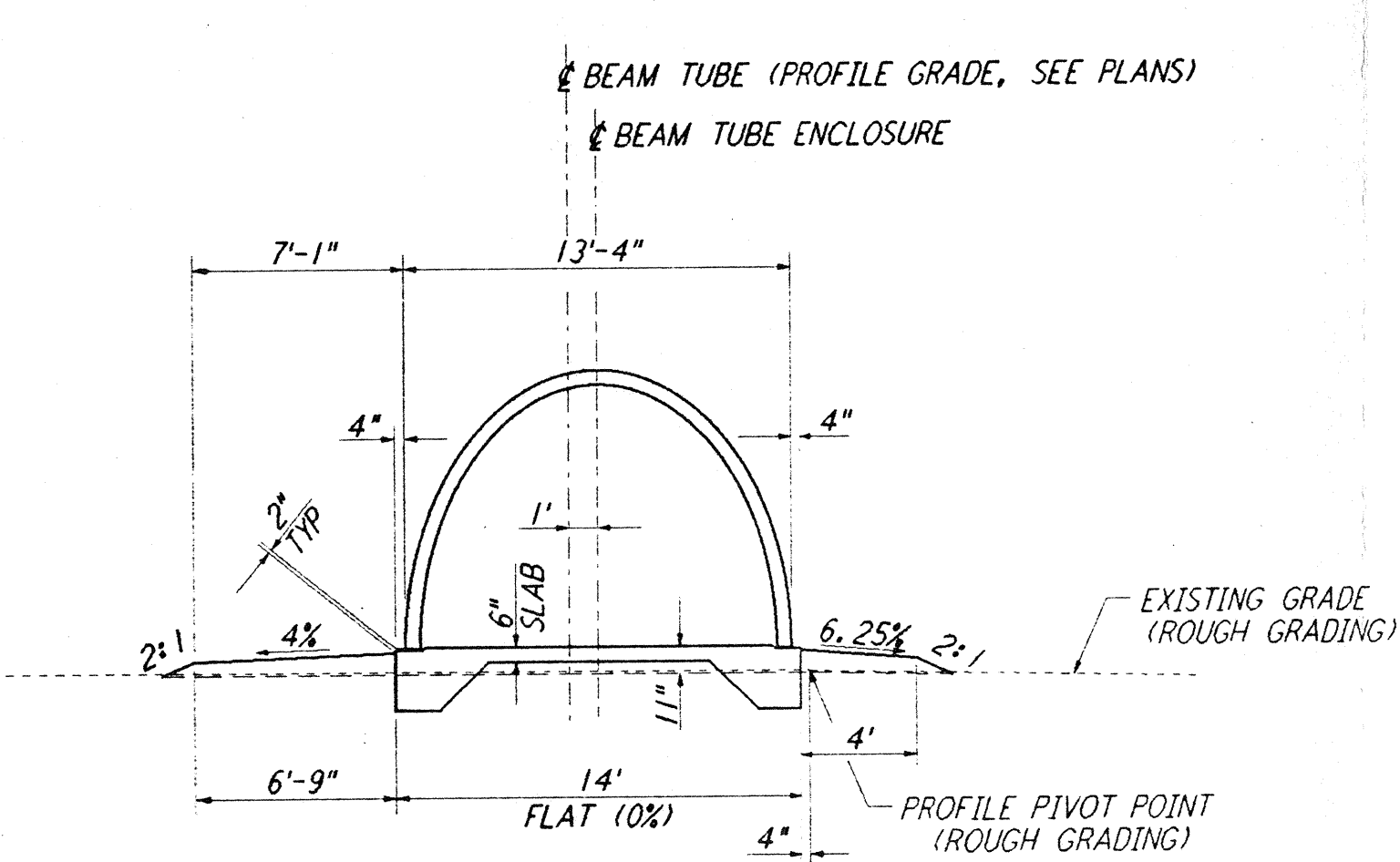


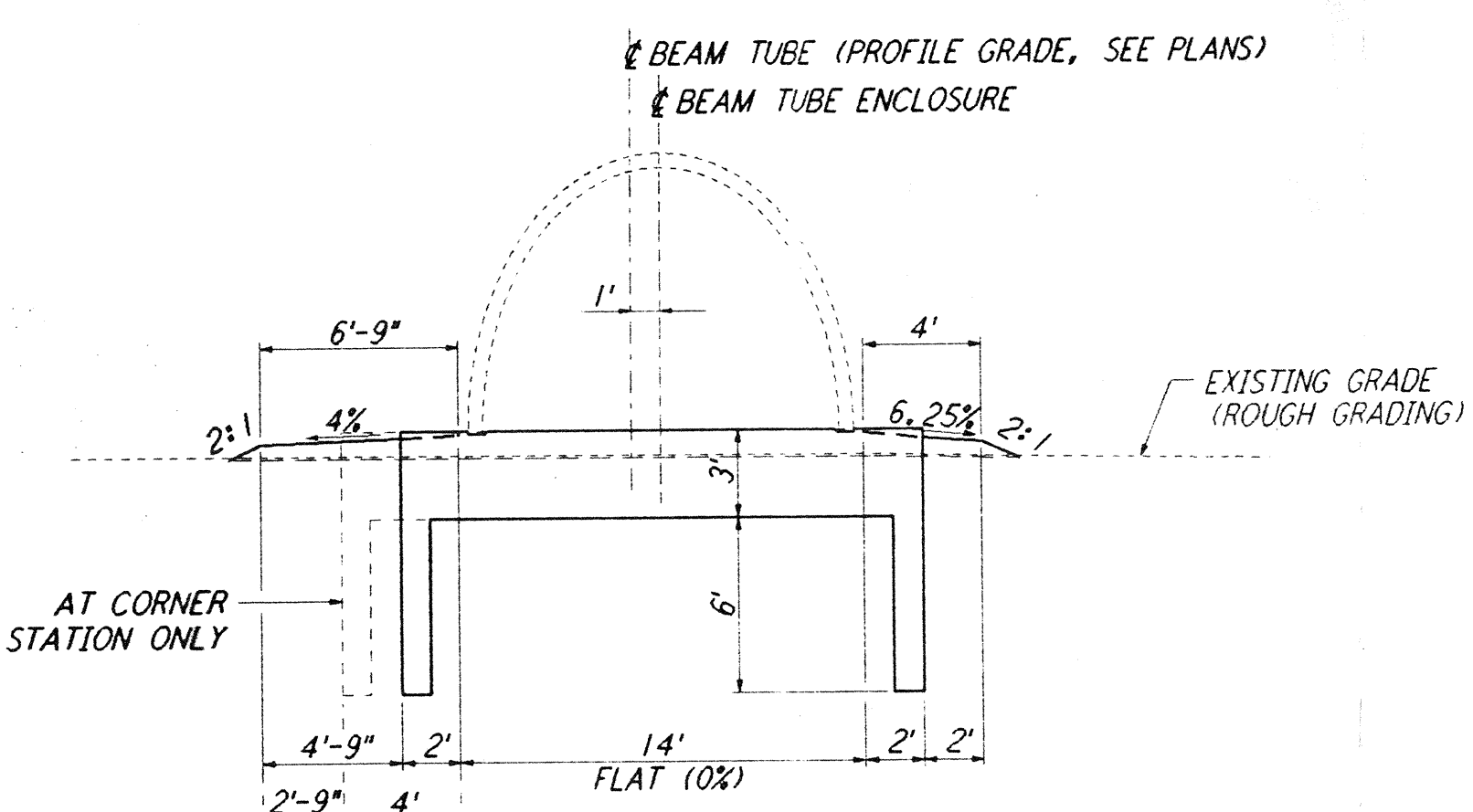
5 4 3 2



SECTION A
NOT TO SCALE

NORTHWEST ARM: STA 1+72.48 THRU STA 6+35.00
 STA 63+56.67 THRU STA 65+64.72
 STA 66+71.80 THRU STA 67+96.67
 STA 128+56.67 THRU STA 130+64.05

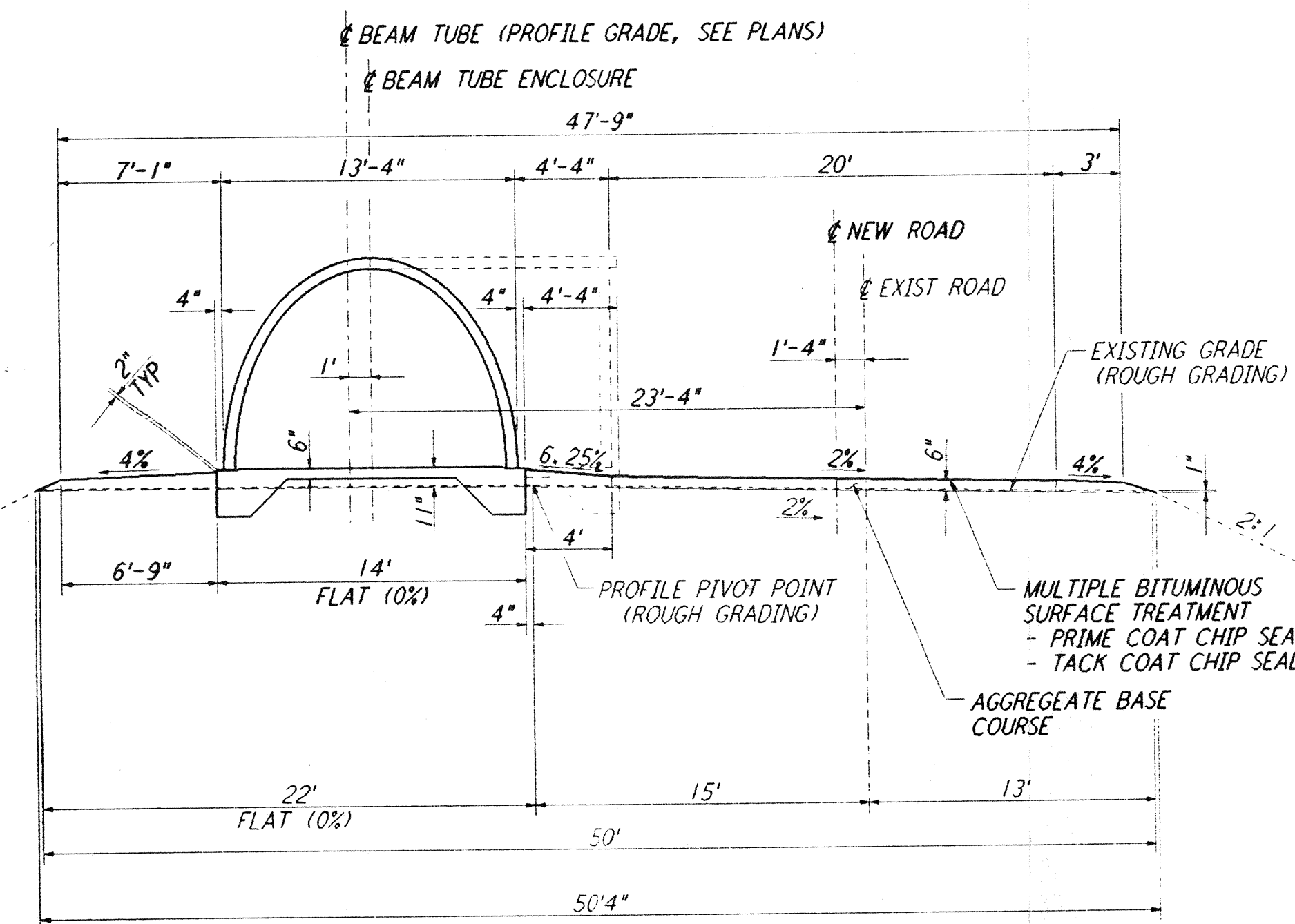
SOUTHWEST ARM: STA 1+72.48 THRU STA 5+22.76
 STA 63+56.67 THRU STA 65+64.72
 STA 66+71.80 THRU STA 67+96.67
 STA 128+56.67 THRU STA 130+64.05



SECTION A (SIM)
NOT TO SCALE

NORTHWEST ARM: STA 1+47.48 THRU STA 1+72.48
 STA 65+64.72 THRU STA 65+89.72
 STA 66+46.80 THRU STA 66+71.80
 STA 130+64.05 THRU STA 130+89.05

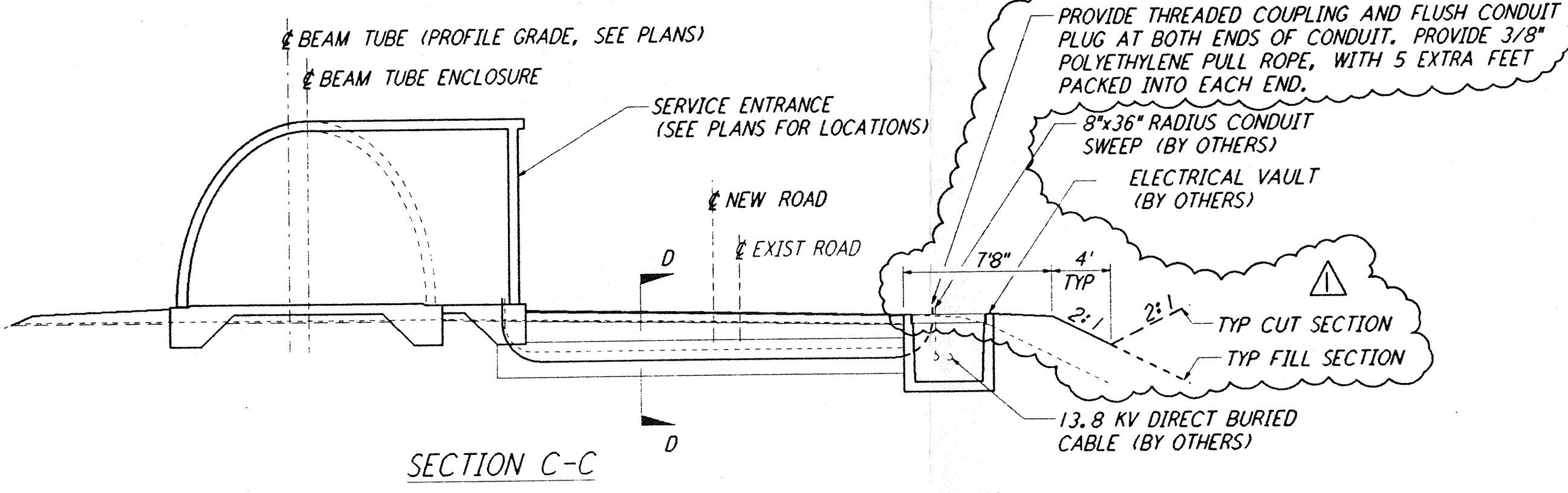
SOUTHWEST ARM: STA 1+47.48 THRU STA 1+72.76
 STA 65+64.72 THRU STA 65+89.72
 STA 66+46.80 THRU STA 66+71.80
 STA 130+64.05 THRU STA 130+89.05



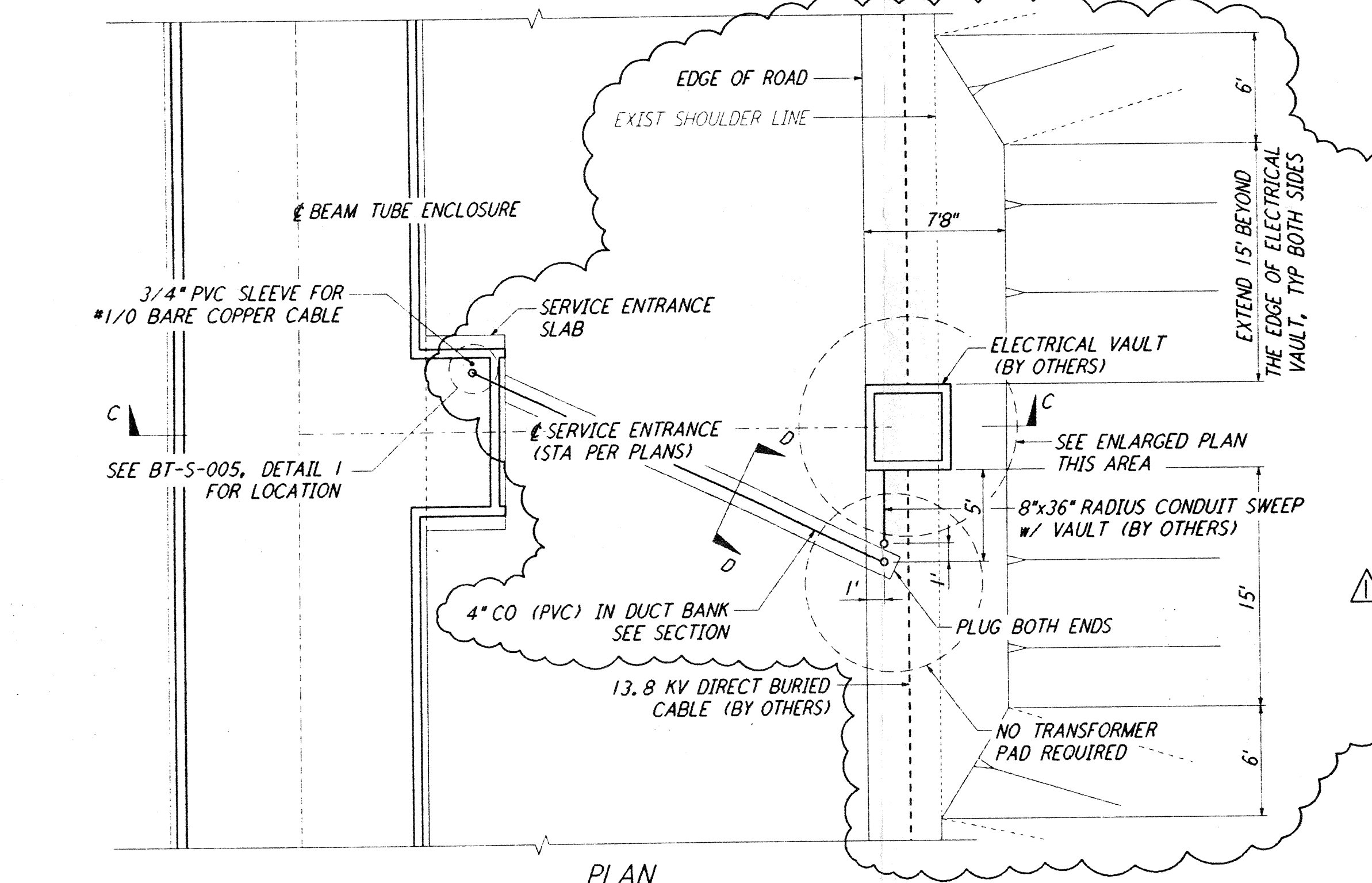
SECTION B
NOT TO SCALE

NORTHWEST ARM: STA 6+35.00 THRU STA 63+56.67
 STA 67+96.67 THRU STA 128+56.67

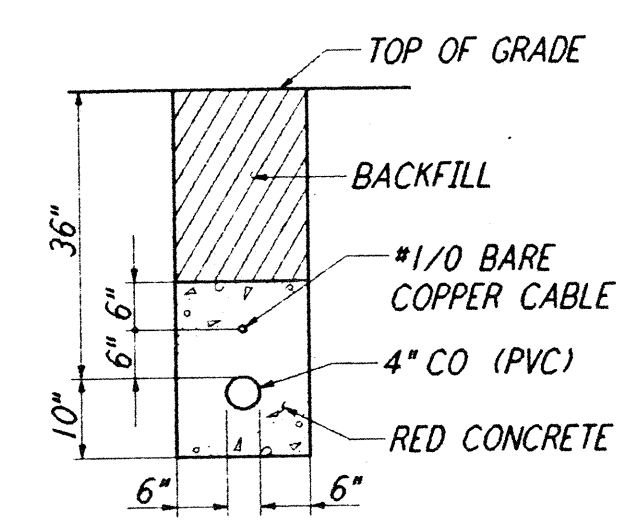
SOUTHWEST ARM: STA 5+22.76 THRU STA 63+56.67
 STA 67+96.67 THRU STA 128+56.67



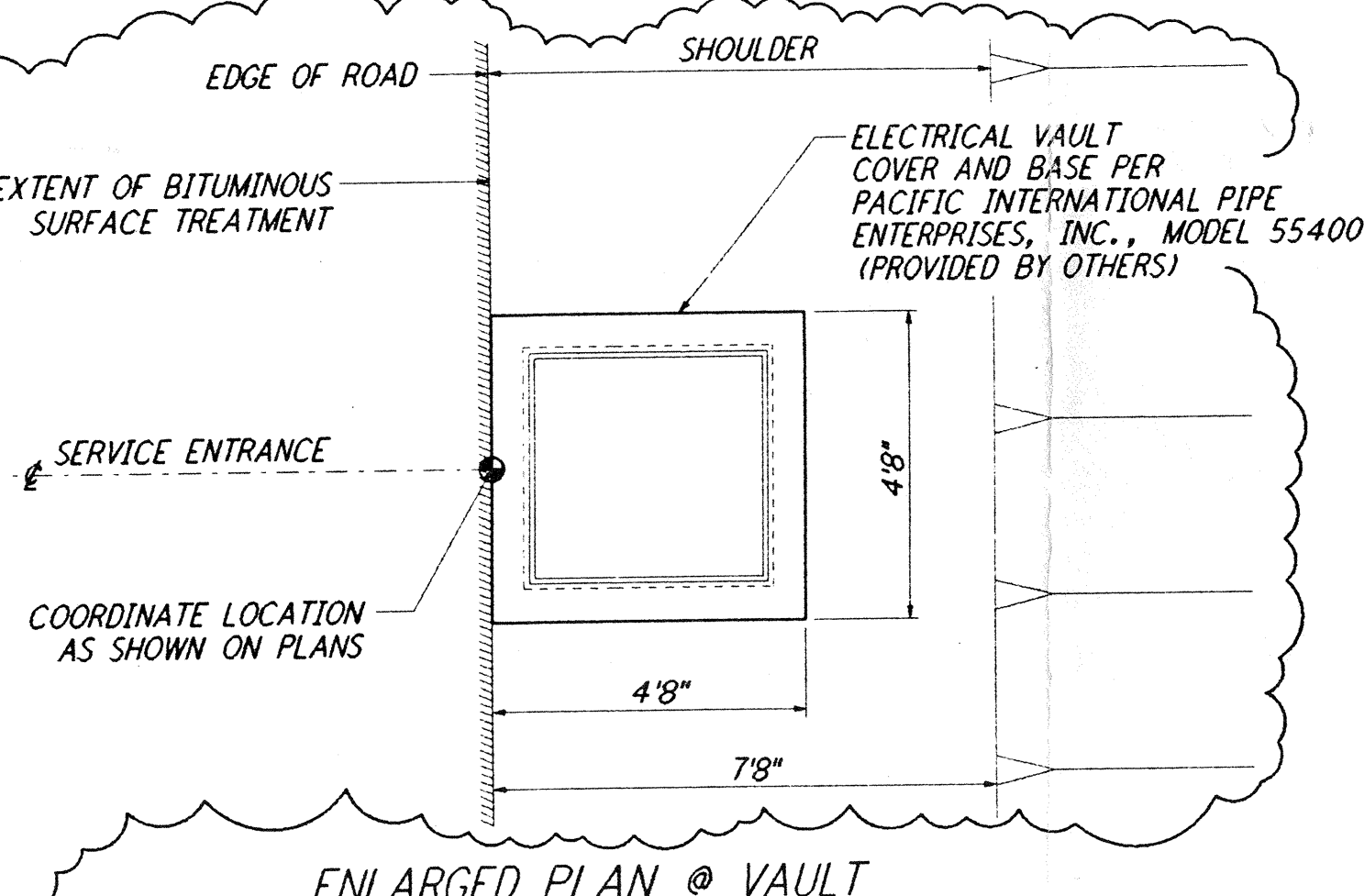
SECTION C-C
NOTE: REFER TO SECTIONS 'A' AND 'B' FOR DIMENSIONS AND CALLOUTS NOT SHOWN ON THIS SECTION.



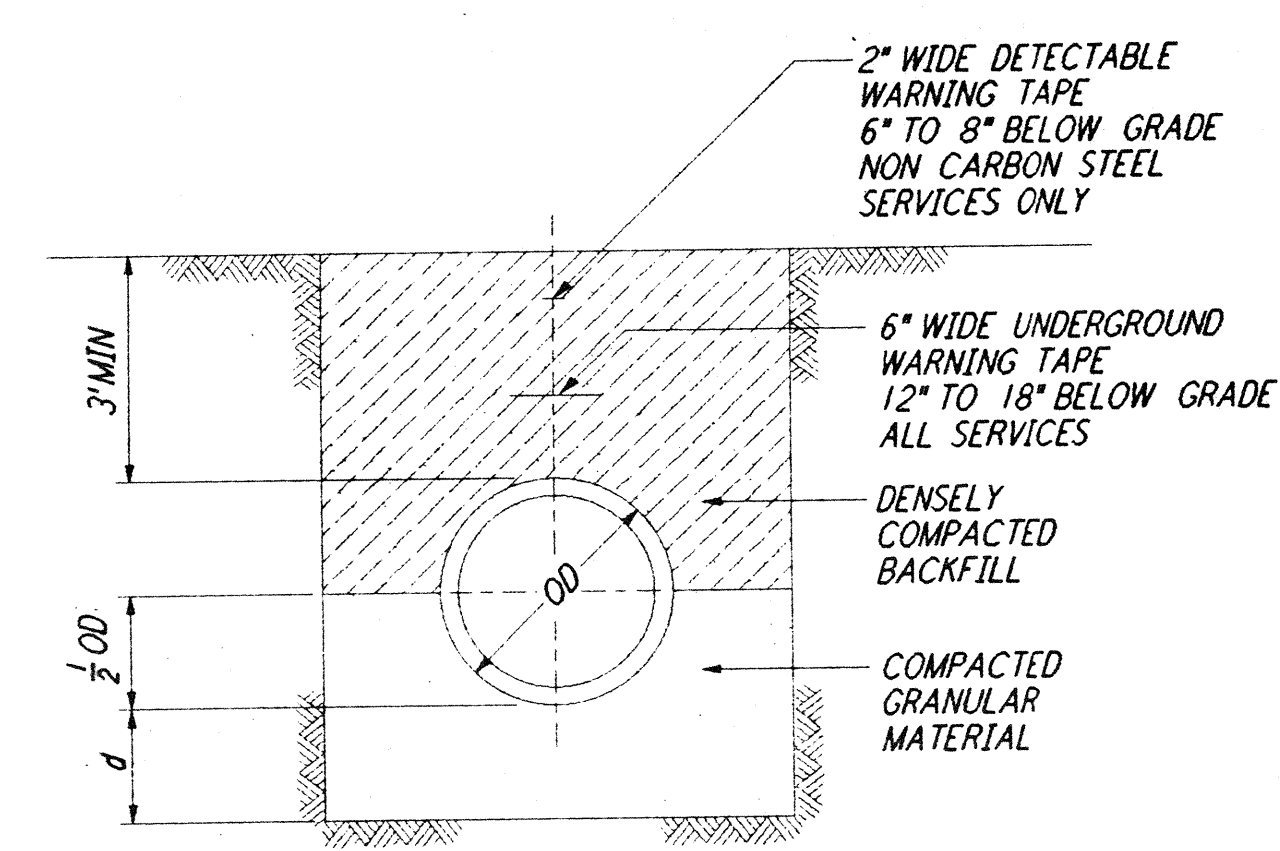
TYPICAL LOCATION PLAN
@ SERVICE ENTRANCE FOR ELECTRICAL VAULT



SECTION D-D

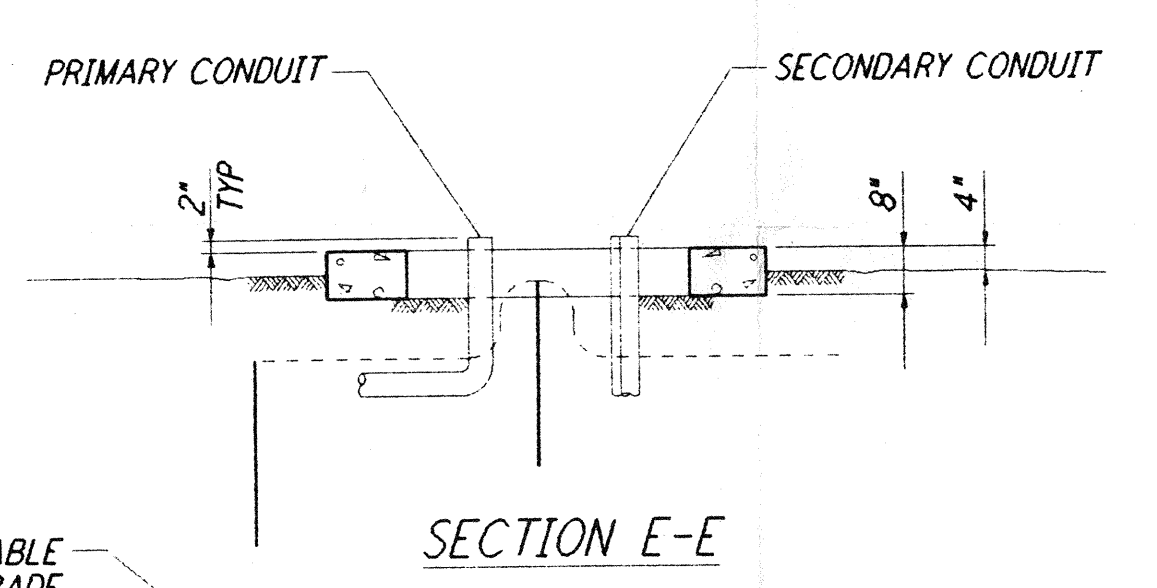


ENLARGED PLAN @ VAULT

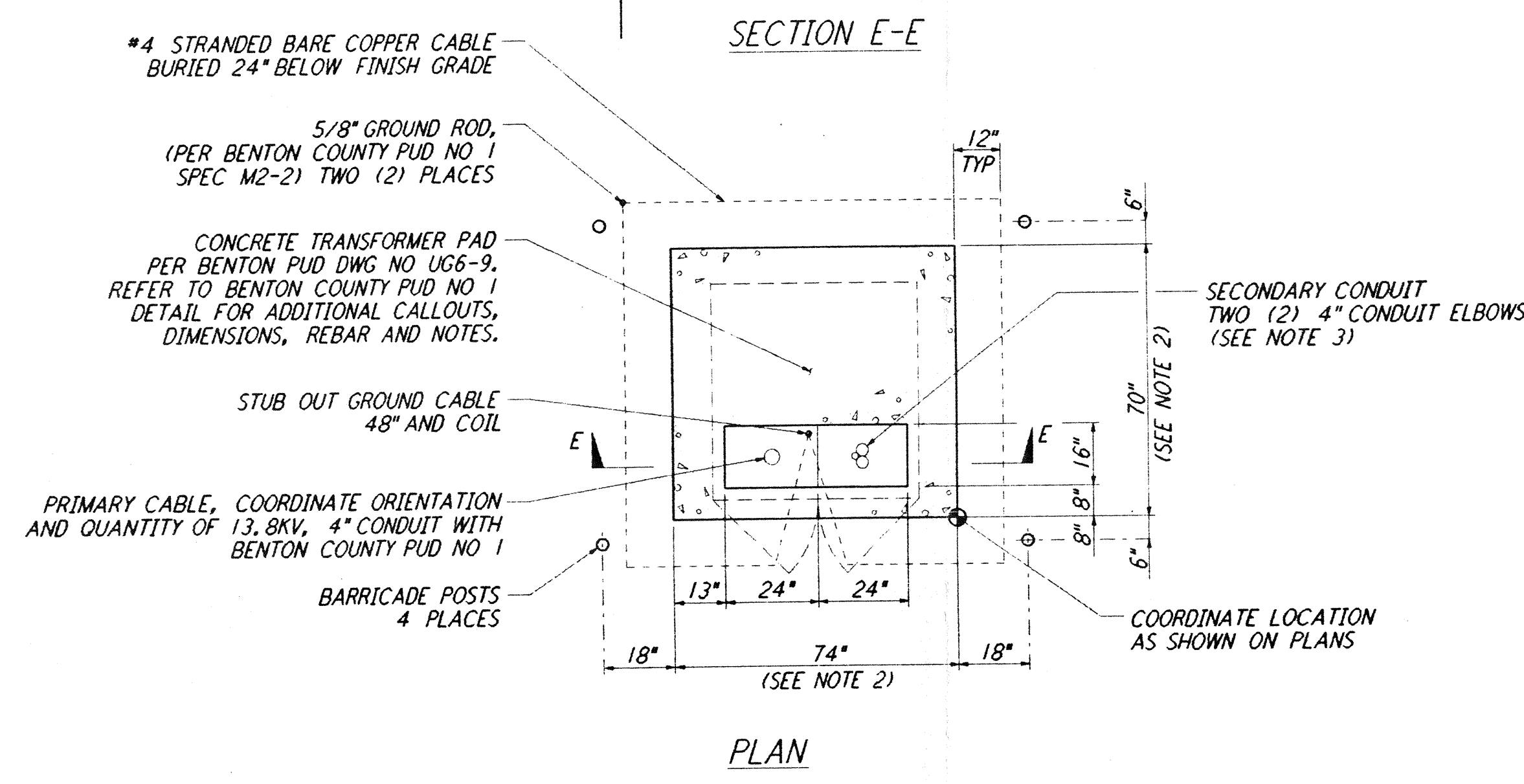


DEPTH OF BEDDING MATERIAL BELOW PIPE	
ID	d(MIN)
2" & SMALLER	3"

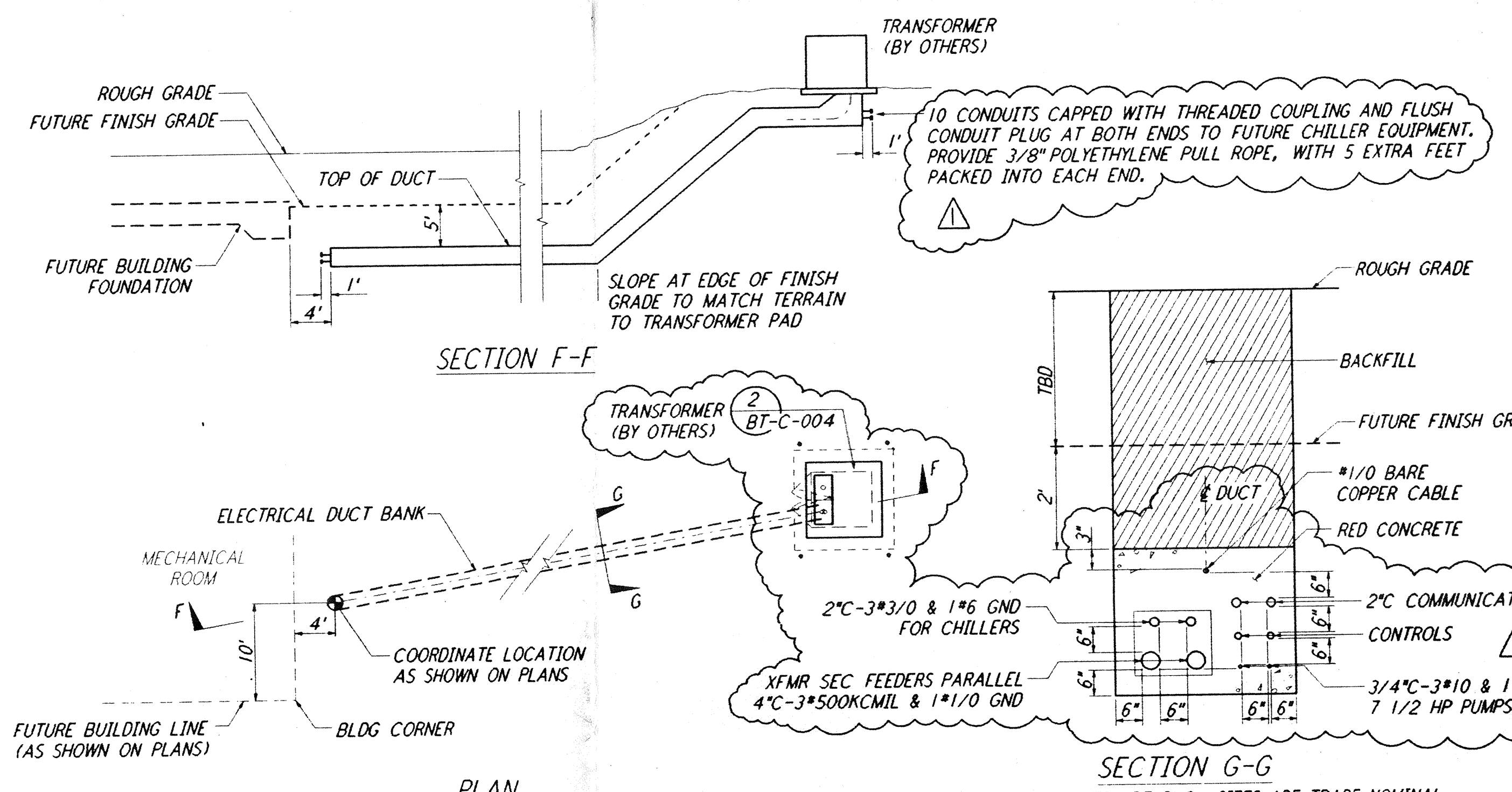
TRENCH BEDDING
NOT TO SCALE



SECTION E-E



TYPICAL LOCATION PLAN FOR ELECTRICAL TRANSFORMER PAD



TYPICAL PLAN @ MID AND END STATIONS FOR ELECTRICAL DUCT BANK

NOTE: ALL CONDUITS ARE PVC, SIZES ARE TRADE NOMINAL

REV.	NO.	DATE	BY	CHKD	ENGR	PROJ	DESCRIPTION
1	1	2-29-96	WRB				CHANGE ORDER NO. 2

ISSUED FOR CONSTRUCTION	
DRAWN	WRB 1-19-96
CHECKED	MP 1-19-96
ENGINEER	JB 1-19-96
PROJ	MDW 1-19-96

PARSONS
 100 WEST WALNUT STREET
 PASADENA, CALIFORNIA

LIGO
 CALIFORNIA INSTITUTE OF TECHNOLOGY
 MASSACHUSETTS INSTITUTE OF TECHNOLOGY

LASER INTERFEROMETER
 GRAVITATIONAL-WAVE OBSERVATORY
 BTE SITWORK & FABRICATION - HANFORD, WA

TITLE	SCALE	CONTRACT NUMBER	PROJECT NUMBER
CIVIL TYPICAL SECTIONS AND DETAILS	NONE	PPI50969	8094

SHEET NUMBER: BT-C-004
 REVISIONS: 1