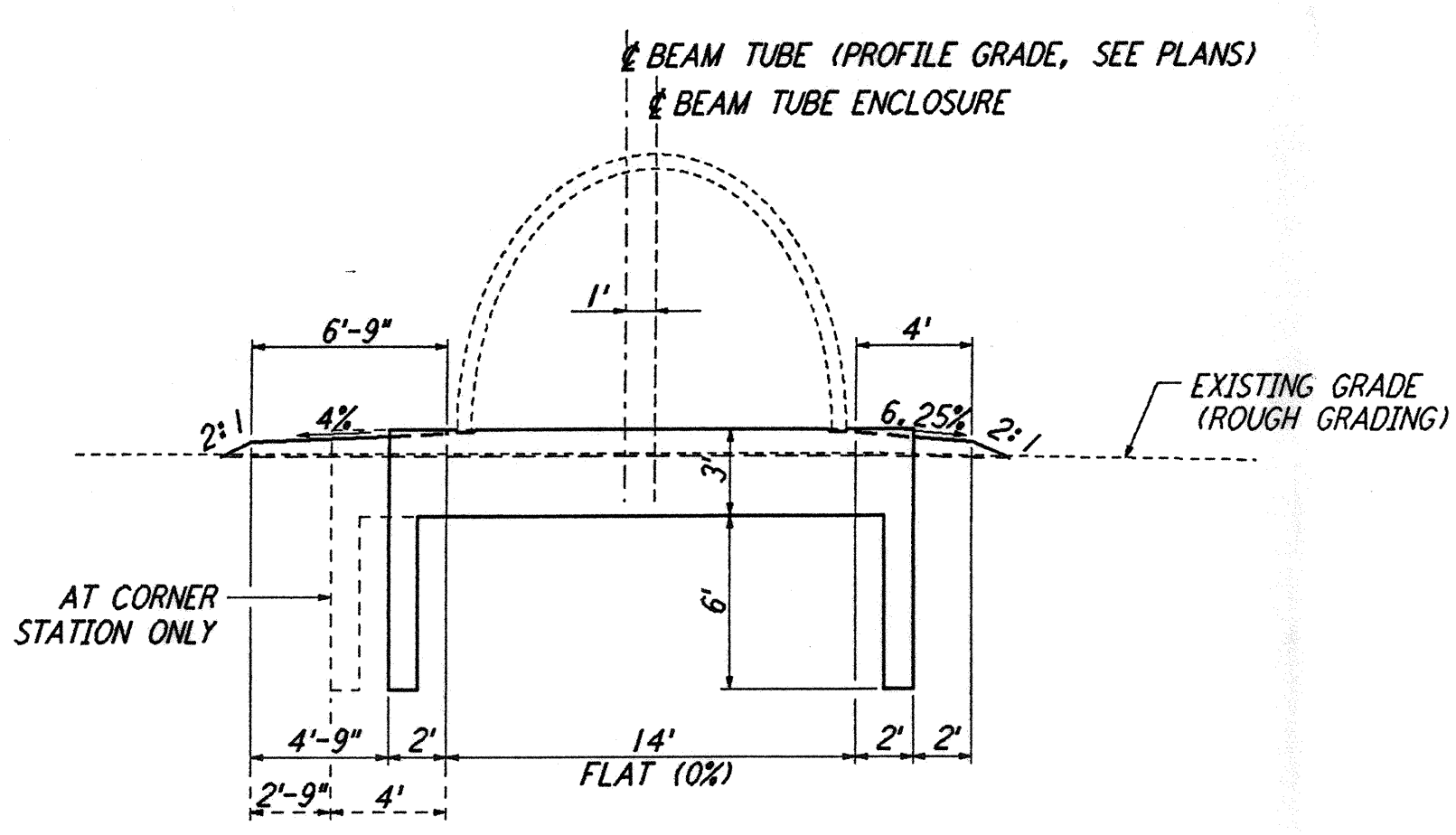


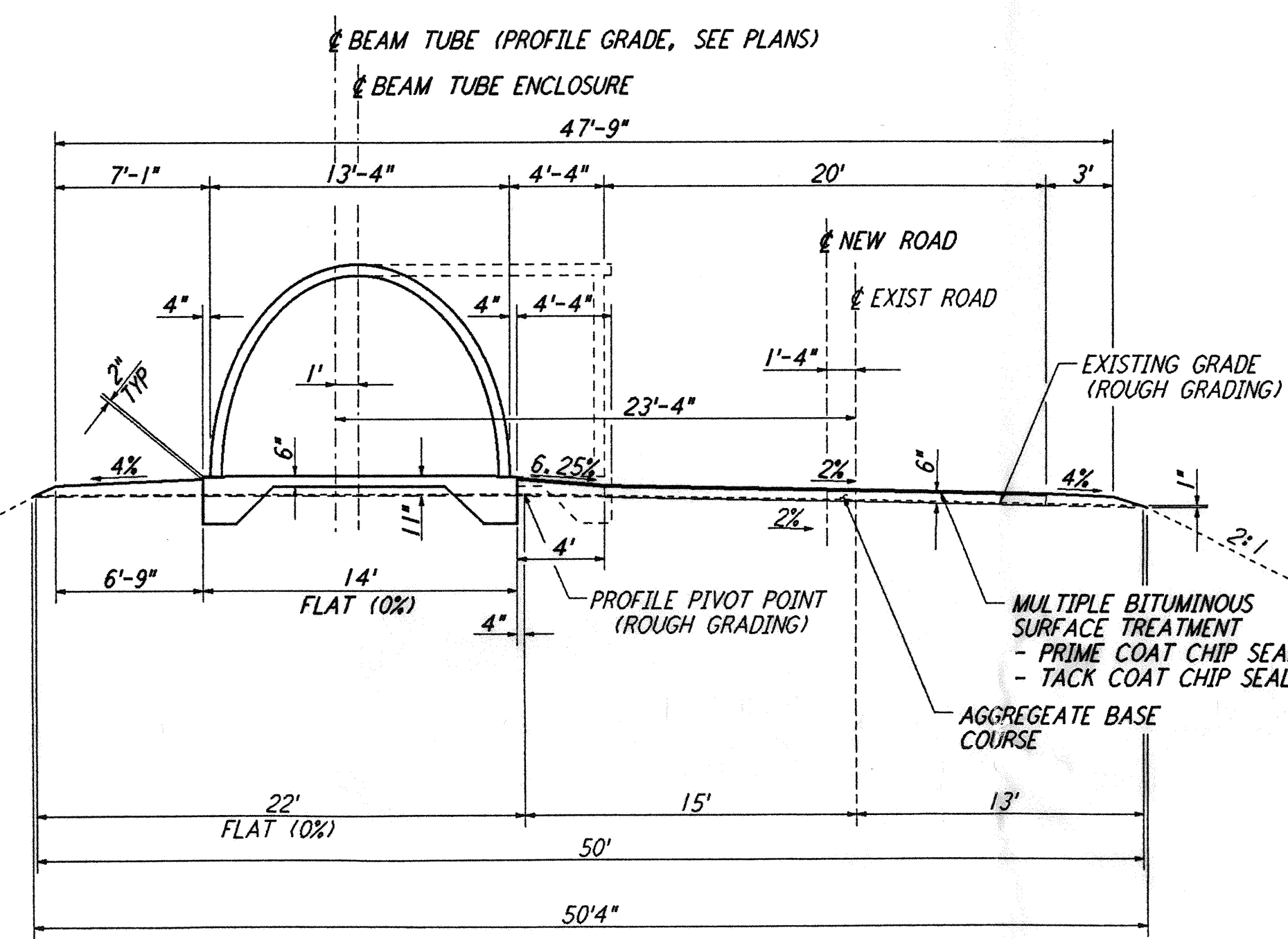
NORTHWEST ARM: STA 1+72.48 THRU STA 6+35.00
 STA 63+56.67 THRU STA 65+64.72
 STA 66+71.80 THRU STA 67+96.67
 STA 128+56.67 THRU STA 130+64.05

SOUTHWEST ARM: STA 1+72.48 THRU STA 5+22.76
 STA 63+56.67 THRU STA 65+64.72
 STA 66+71.80 THRU STA 67+96.67
 STA 128+56.67 THRU STA 130+64.05



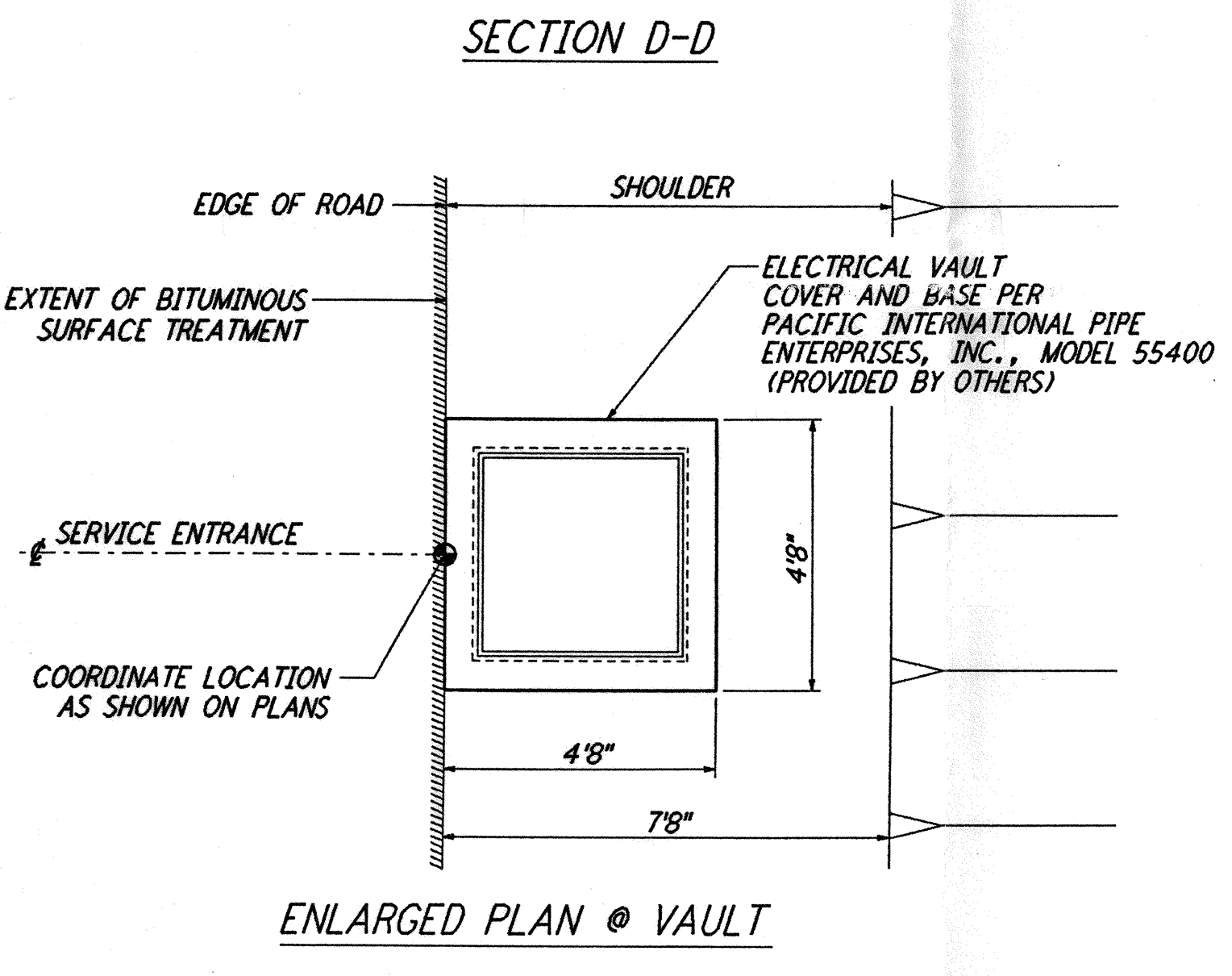
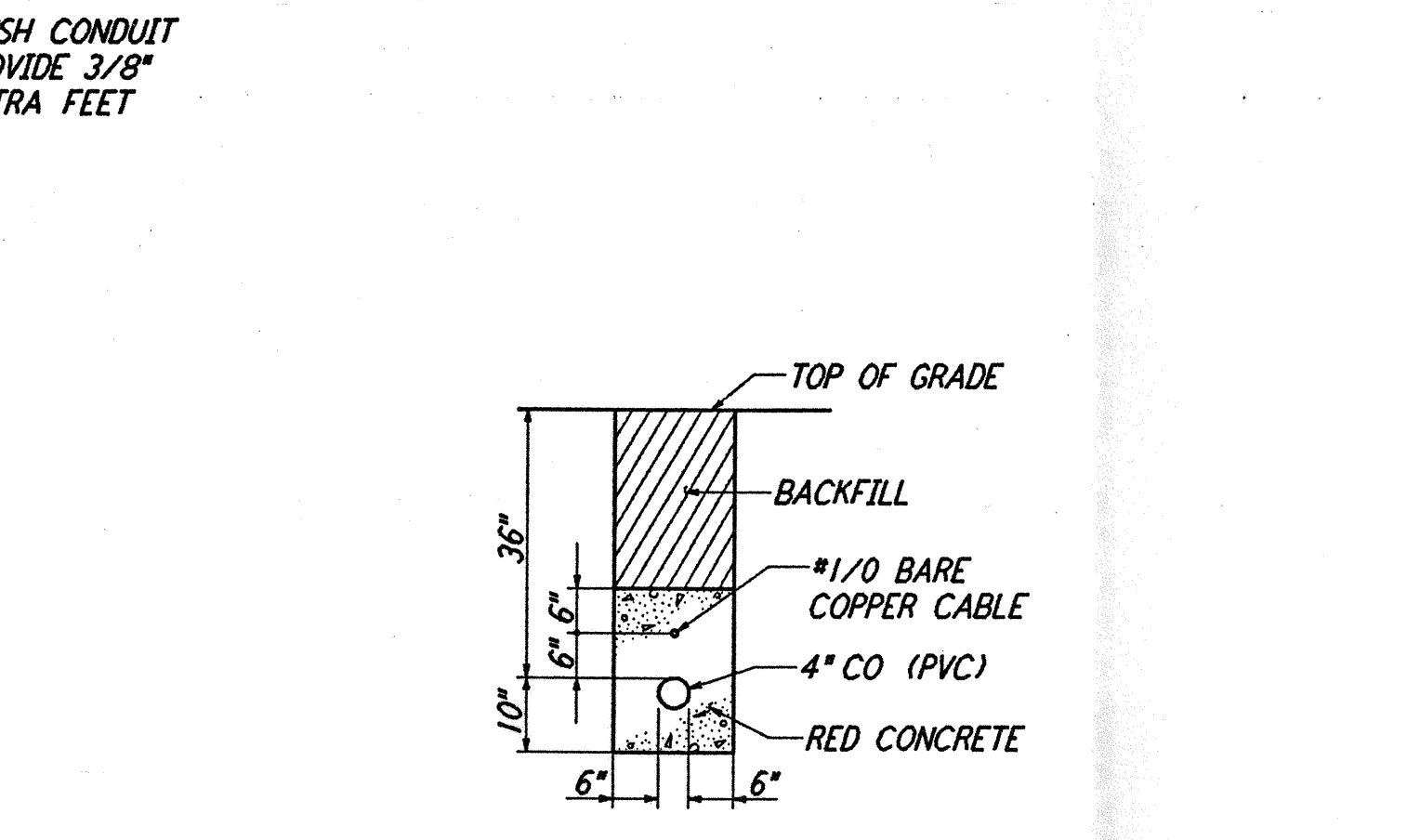
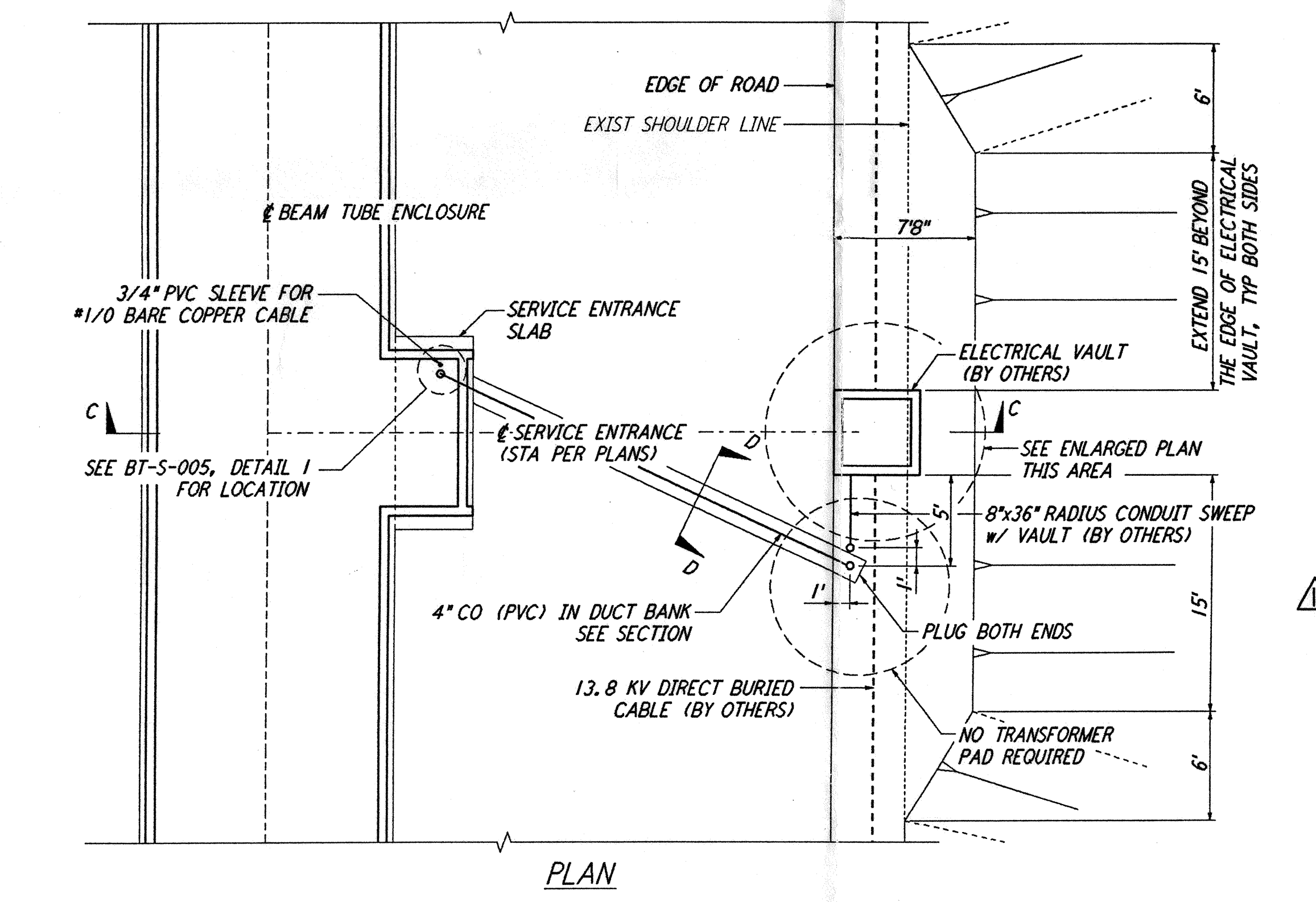
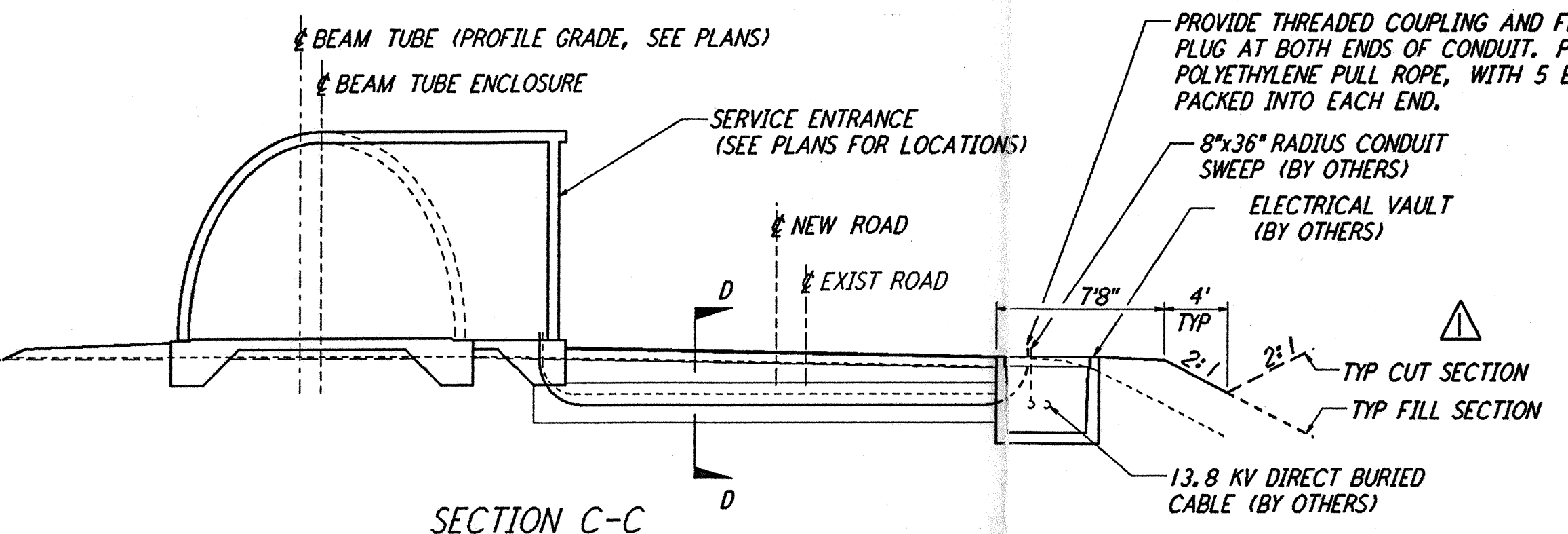
NORTHWEST ARM: STA 1+47.48 THRU STA 1+72.48
 STA 65+64.72 THRU STA 65+89.72
 STA 66+46.80 THRU STA 66+71.80
 STA 130+64.05 THRU STA 130+89.05

SOUTHWEST ARM: STA 1+47.48 THRU STA 1+72.76
 STA 65+64.72 THRU STA 65+89.72
 STA 66+46.80 THRU STA 66+71.80
 STA 130+64.05 THRU STA 130+89.05



NORTHWEST ARM: STA 6+35.00 THRU STA 32+01.67
 STA 33+51.67 THRU STA 63+56.67
 STA 67+96.67 THRU STA 97+51.67
 STA 99+01.67 THRU STA 128+56.67

SOUTHWEST ARM: STA 5+22.76 THRU STA 32+01.67
 STA 33+51.67 THRU STA 63+56.67
 STA 67+96.67 THRU STA 97+51.67
 STA 99+01.67 THRU STA 128+56.67



NOTES:

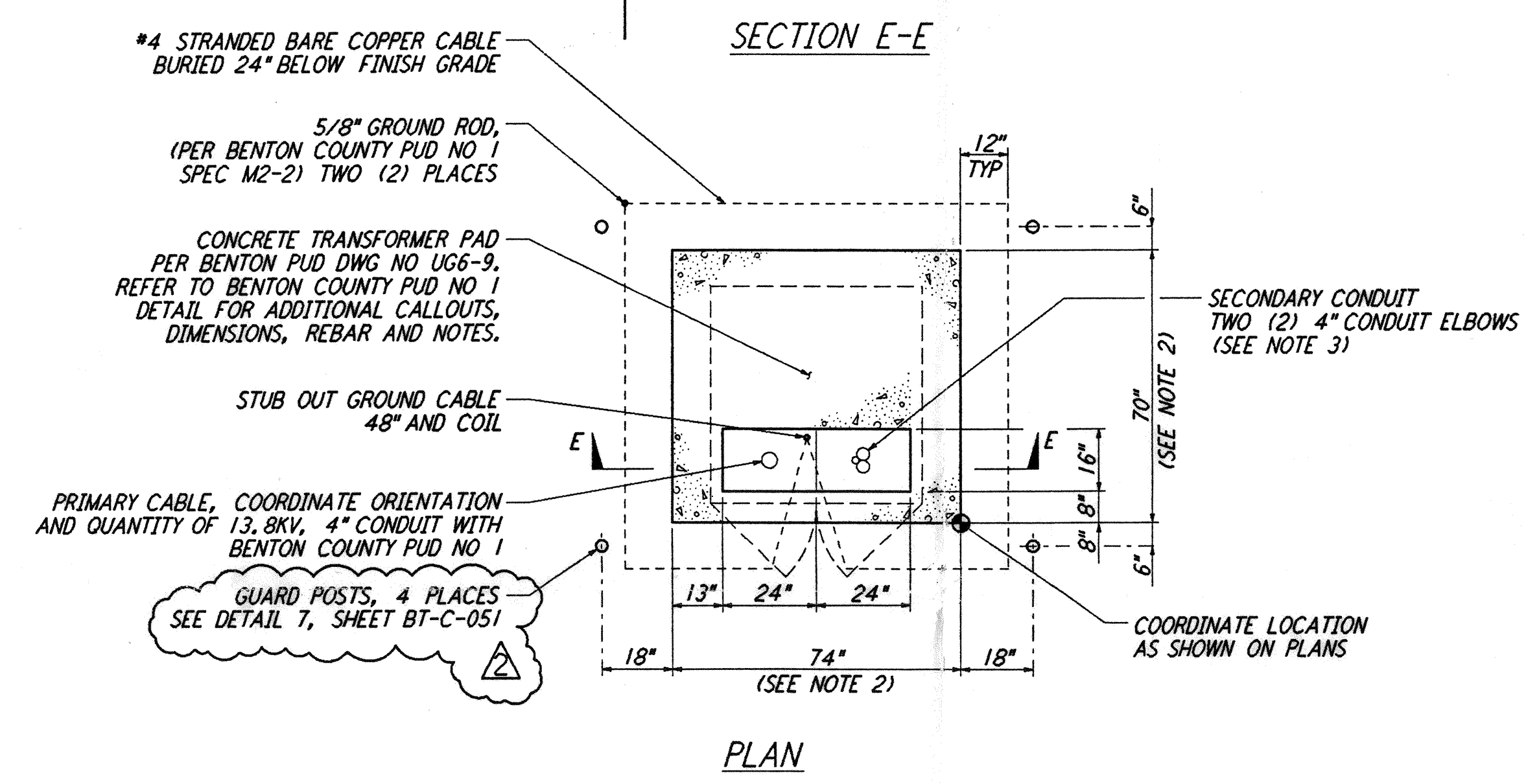
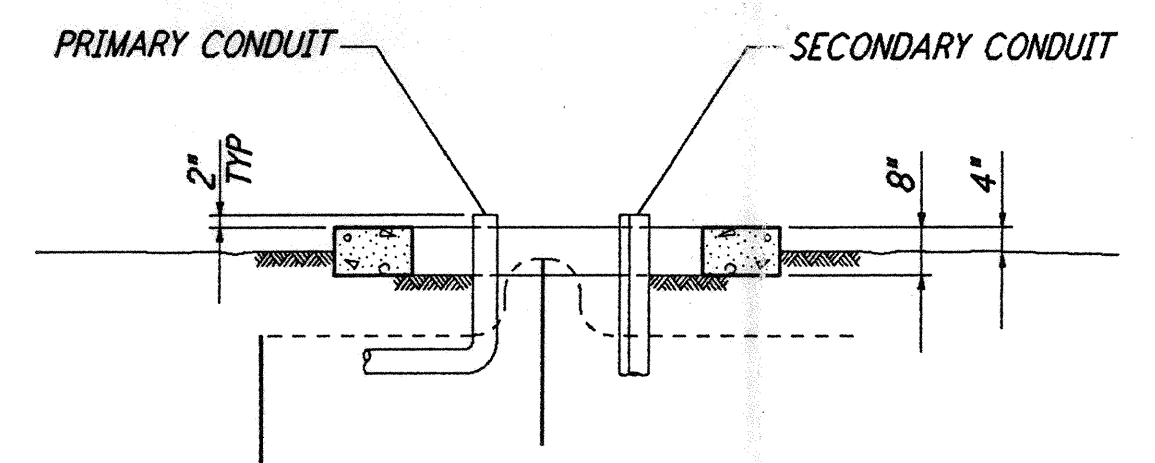
- SEE SHEET BT-C-002 FOR GENERAL NOTES, LEGEND AND ABBREVIATIONS.
- CORNER STATION DIMENSIONS TO BE DETERMINED.
- SECONDARY CONDUIT DIRECTION SHALL FACE MID OR END STATION, AS APPROPRIATE.
- CONDUITS SHALL EXTEND TOWARD BUILDING VIA DUCT BANK, DETAIL 3, THIS SHEET.
- FOR SOUTHWEST ARM, SECTIONS 'A', 'A (SIM)' AND 'B' ARE MIRRORED ABOUT THE BEAM TUBE CENTERLINE.

DEPTH OF BEDDING MATERIAL BELOW PIPE

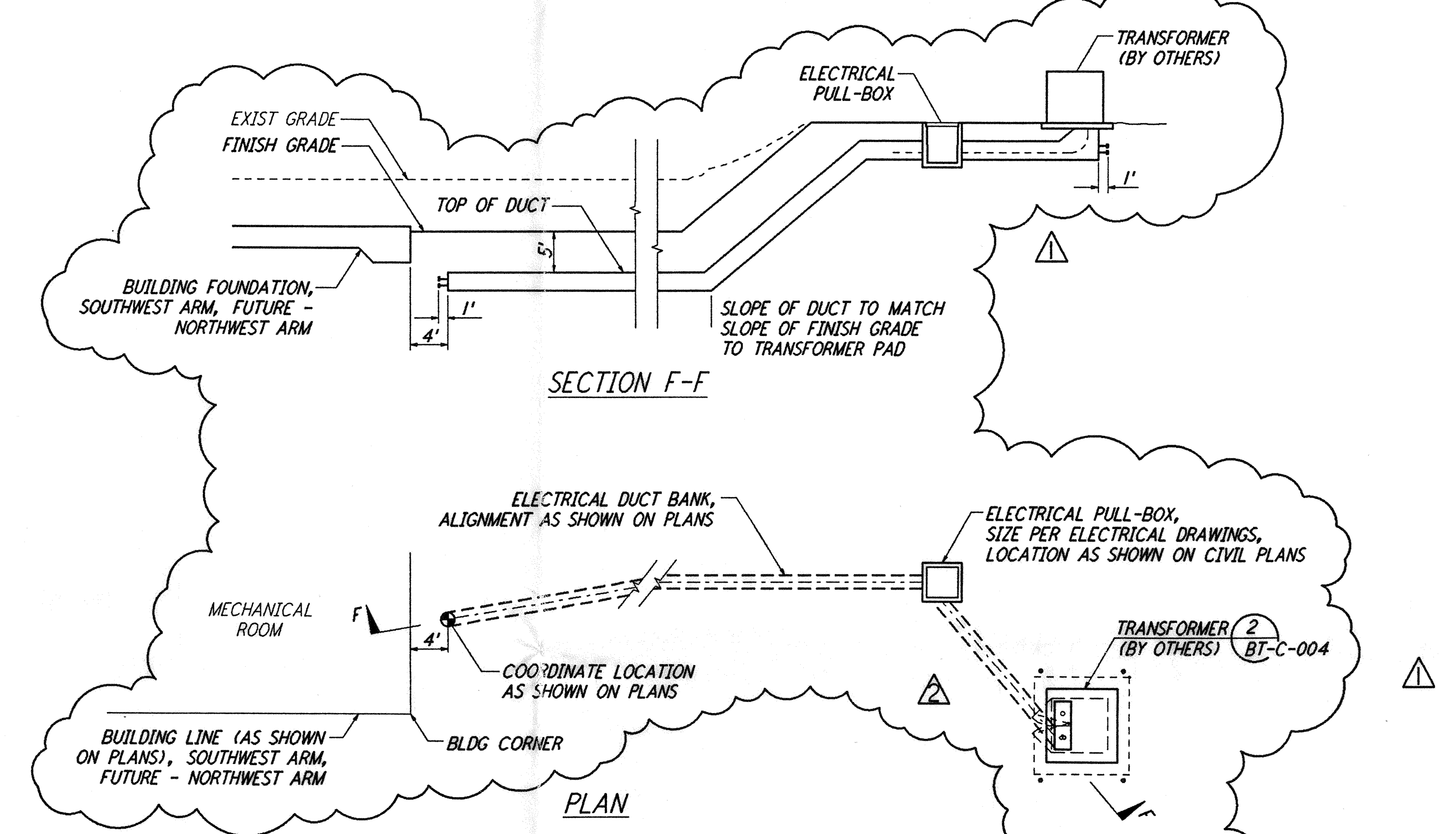
ID	d (MIN)
2" & SMALLER	3"

TRENCH BEDDING

ID	d (MIN)
2" & SMALLER	3"



NOTE: ORIENT PAD SUCH THAT DOORS FACE TOWARDS THE BEAM TUBE EMBANKMENT



NOTE: ORIENT PAD SUCH THAT DOORS FACE TOWARDS THE BEAM TUBE EMBANKMENT

NO.	DATE	BY	CHKD	ENGR	PROJ	DESCRIPTION
2	4-19-96	WRB	TDM	MDW		CHANGE ORDER NO. 4
1	2-29-96	WRB	TDM	JCB	MDW	CHANGE ORDER NO. 2

ISSUED FOR CONSTRUCTION	DATE	BY
DRAWN	1-19-96	WRB
CHECKED	1-19-96	MP
ENGINEER	1-19-96	JCB
PROJ	1-19-96	MDW

PARSONS
 100 WEST WALNUT STREET
 PASADENA, CALIFORNIA

LIGO
 CALIFORNIA INSTITUTE OF TECHNOLOGY
 MASSACHUSETTS INSTITUTE OF TECHNOLOGY

LASER INTERFEROMETER
 GRAVITATIONAL-WAVE OBSERVATORY
 BTE SITESWORK & FABRICATION - HANFORD, WA

CIVIL
 TYPICAL SECTIONS
 AND DETAILS

SCALE: NONE
 CONTRACT NUMBER: PPI50969
 PROJECT NUMBER: 8094

SHEET NUMBER: BT-C-004