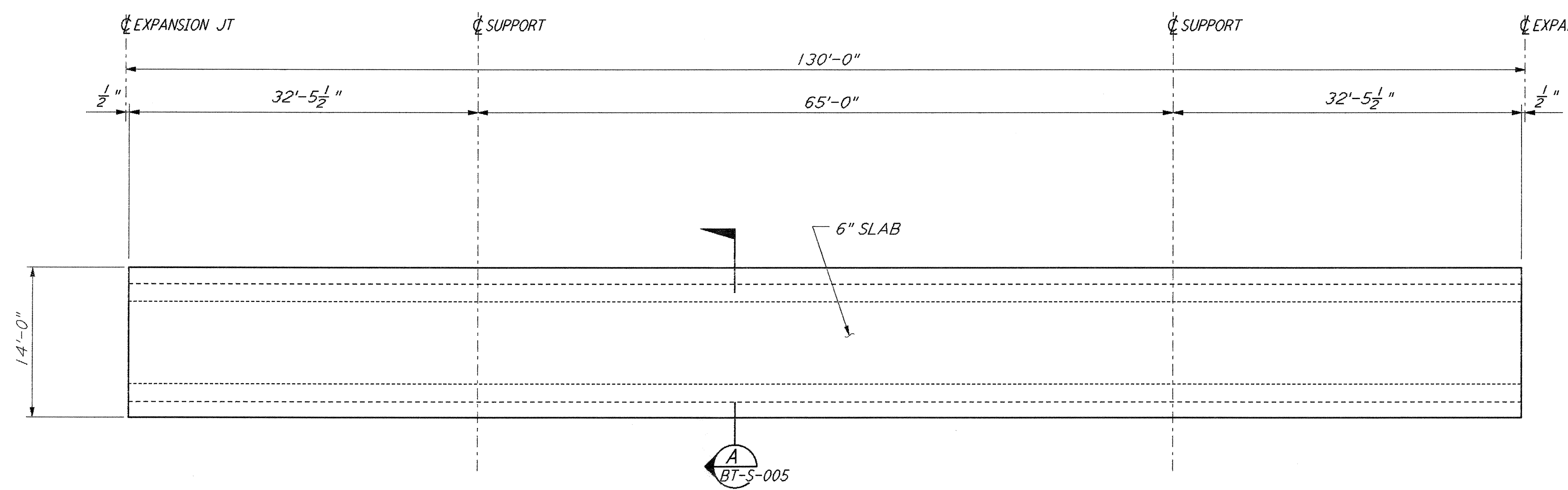
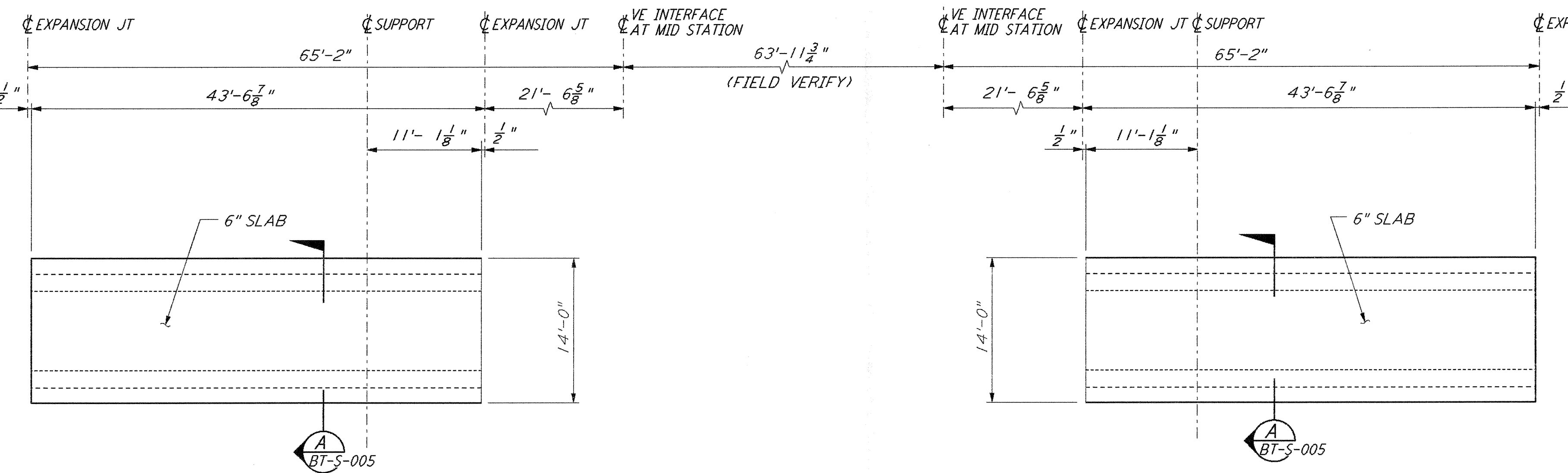


This document and the design it covers are the property of PARSONS. They are loaned only with the borrower's expressed written agreement that they will not be reproduced, copied, loaned, exhibited, or used in any other way, except by written consent from PARSONS to the borrower.



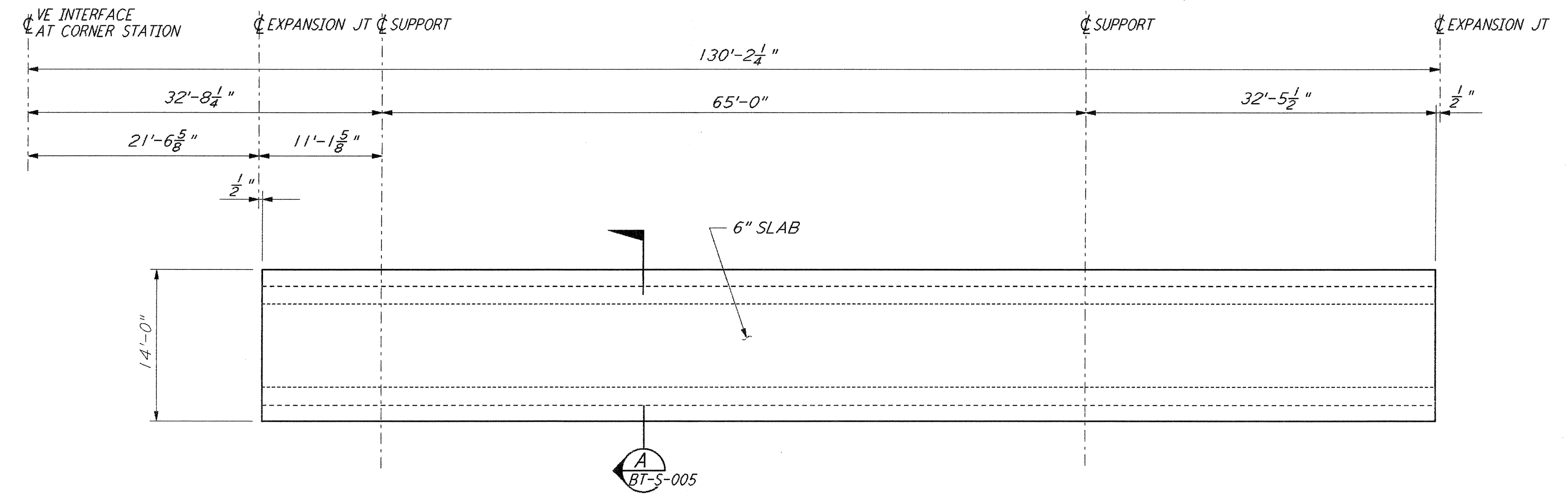
TYPICAL SLAB BETWEEN EXPANSION JOINTS

DETAIL 1 REF
 $\frac{1}{8}'' = 1'-0''$ BT-S-006 BT-S-004



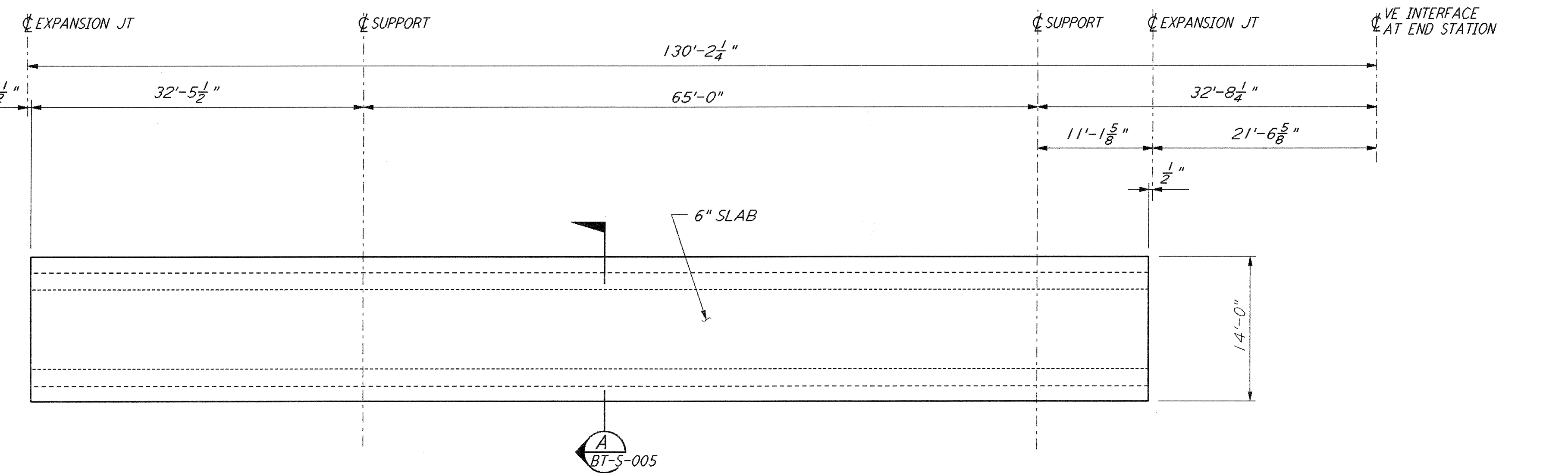
TYPICAL SLAB AT MID STATION

DETAIL 2 REF
 $\frac{1}{8}'' = 1'-0''$ BT-S-006 BT-S-004 BT-S-005



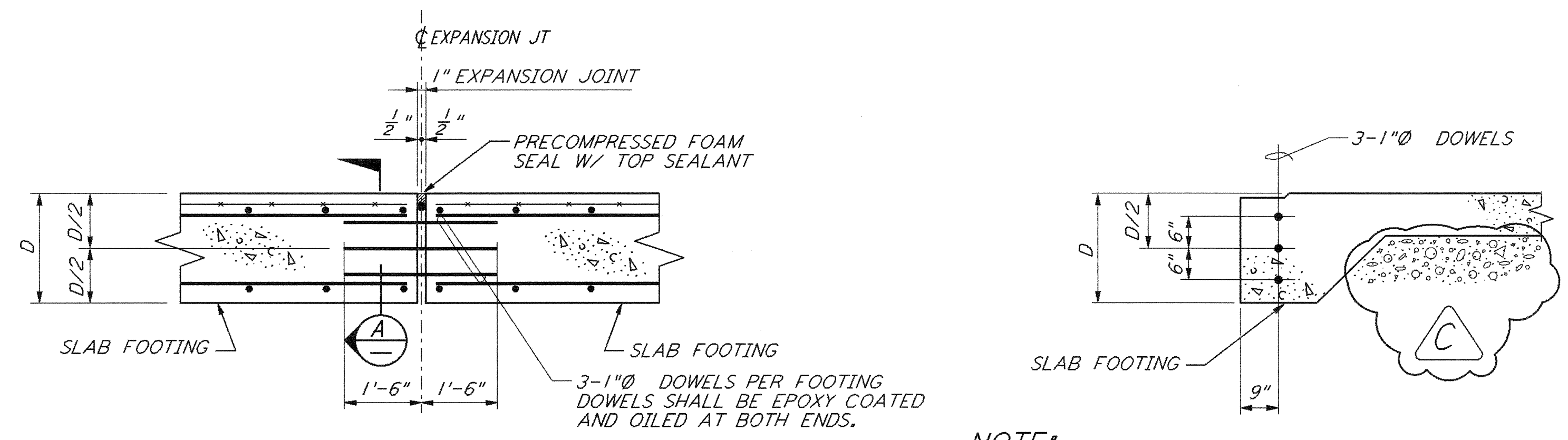
TYPICAL SLAB AT CORNER STATION

DETAIL 3 REF
 $\frac{1}{8}'' = 1'-0''$ BT-S-006 BT-S-004 BT-S-005



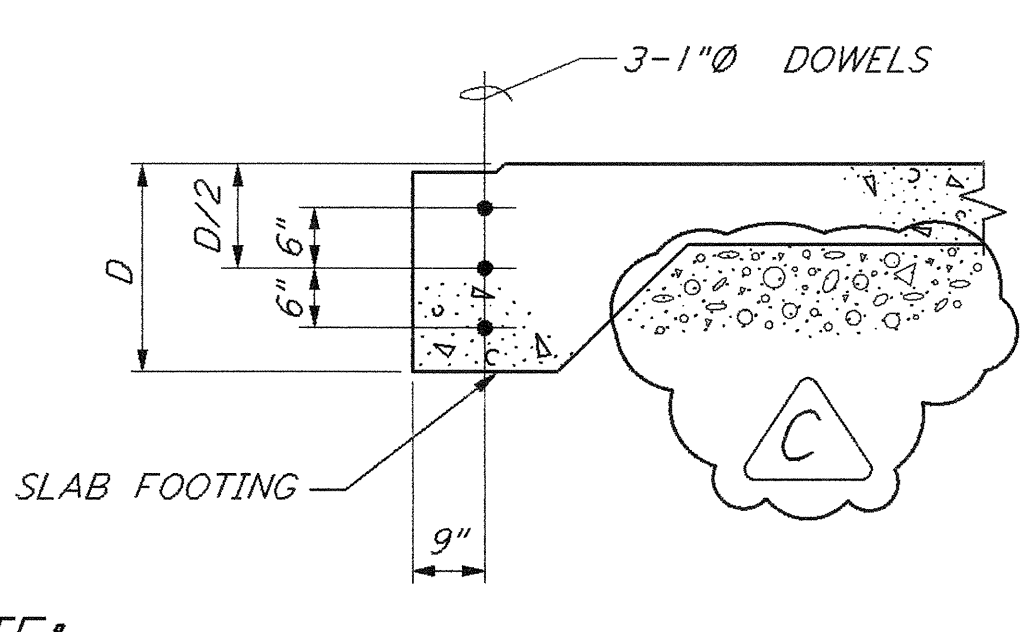
TYPICAL SLAB AT END STATION

DETAIL 4 REF
 $\frac{1}{8}'' = 1'-0''$ BT-S-006 BT-S-004 BT-S-005

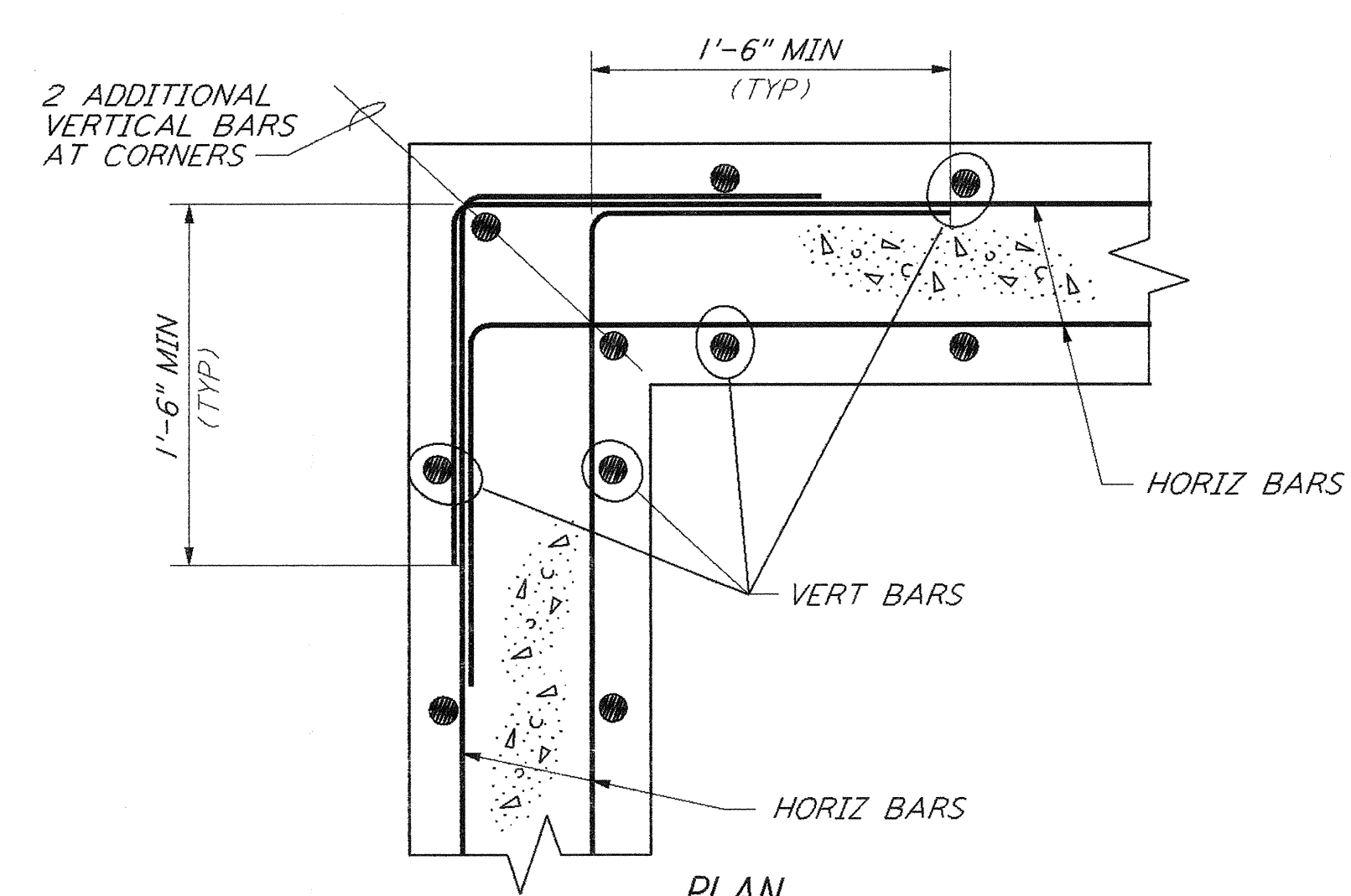


TYPICAL EXPANSION JOINT AT SLAB FOOTING

DETAIL 5 REF
 $\frac{1}{2}'' = 1'-0''$ BT-S-006 BT-S-004

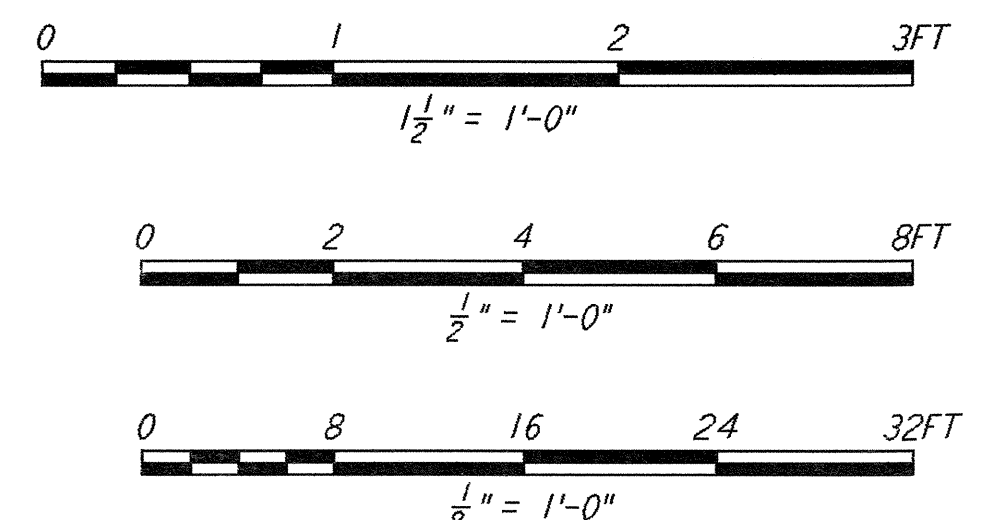


SECTION A REF
 $\frac{1}{2}'' = 1'-0''$



DETAIL 6 REF
 $\frac{1}{2}'' = 1'-0''$ BT-S-006 BT-S-005

NOTE:
 1. FOR GENERAL NOTES, ABBREVIATIONS AND LEGEND SEE DRAWING BT-S-001.



0960192-C-0

NO.	DATE	BY	CHKD	ENGR	PROJ	DESCRIPTION
C	12-18-95	MCS				BID AMENDMENT 1
B	11-21-95	MCS	RM	FJD	MDW	ISSUED FOR BID
A	10-03-95	MCS	RM	FJD	MDW	DRAFT FINAL DESIGN REPORT

DRAWN	MCS
CHECKED	
ENGINEER	
PROJ	

PARSONS
 100 WEST WALNUT STREET
 PASADENA, CALIFORNIA

LIGO
 CALIFORNIA INSTITUTE OF TECHNOLOGY
 MASSACHUSETTS INSTITUTE OF TECHNOLOGY

LASER INTERFEROMETER
 GRAVITATIONAL-WAVE OBSERVATORY
BTE SITWORK & FABRICATION - HANFORD, WA

TITLE: BEAM TUBE ENCLOSURE SECTIONS & DETAILS SHEET 2

AS NOTED PP150969 8094

BT-S-006