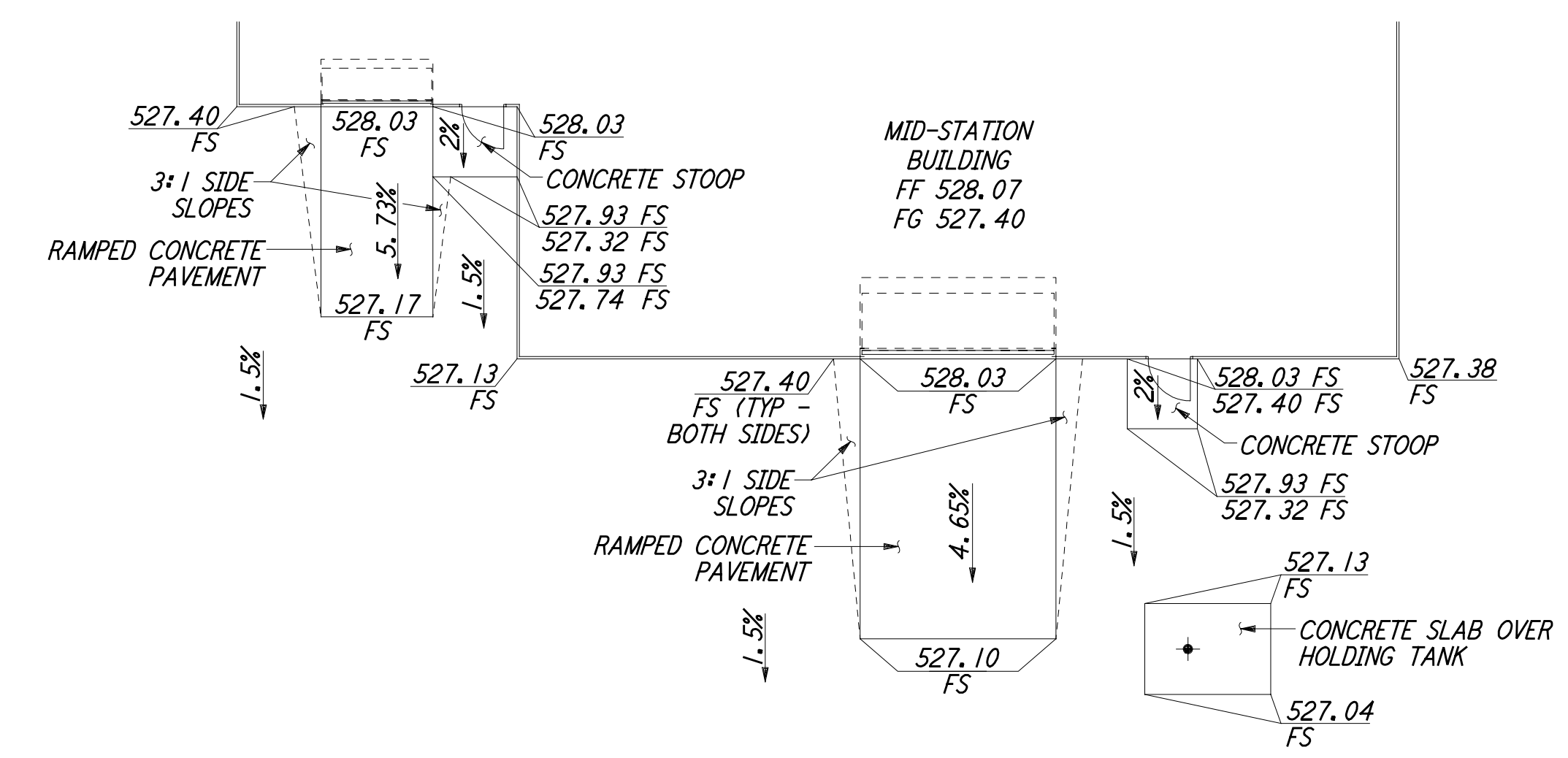
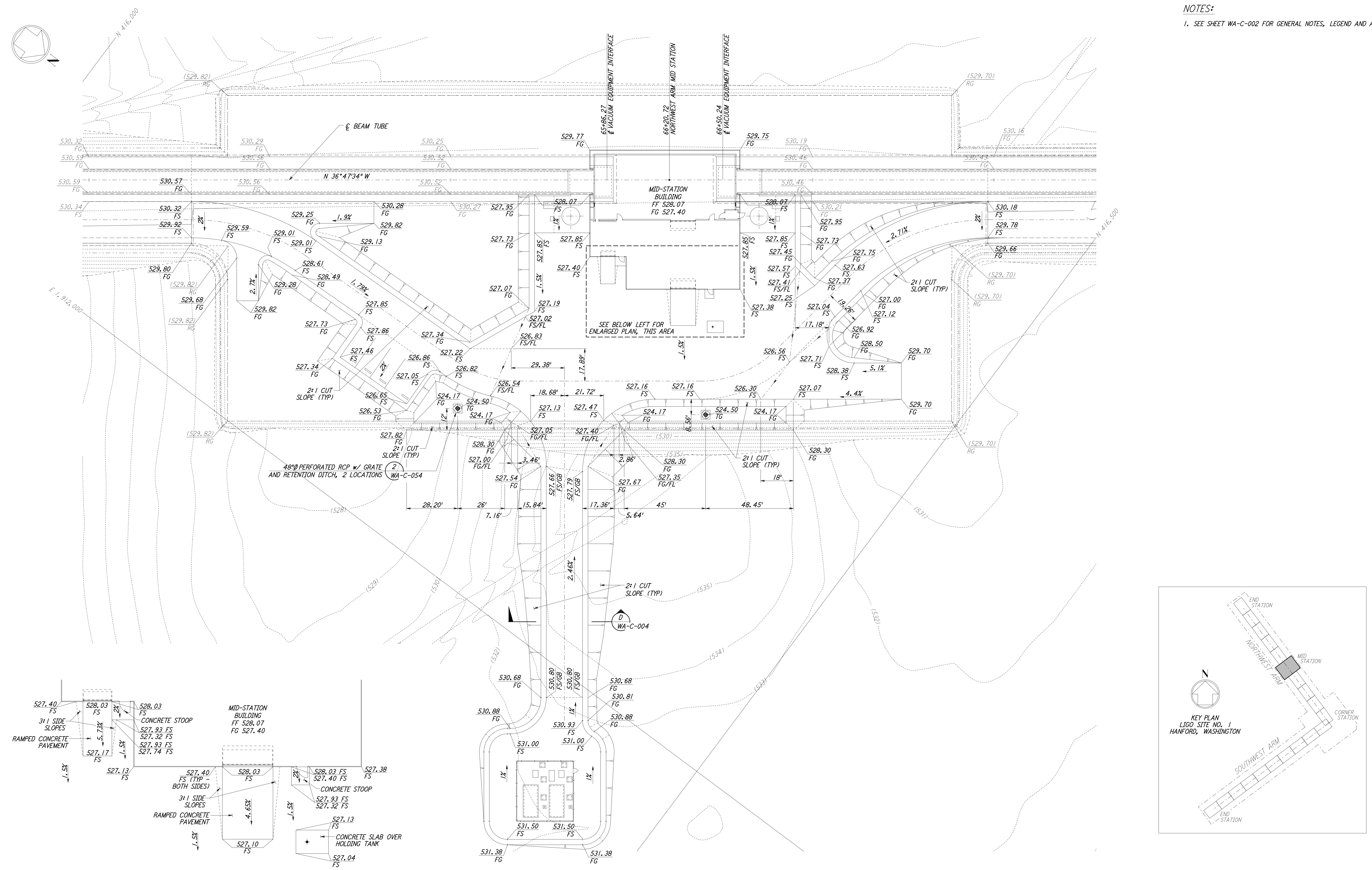
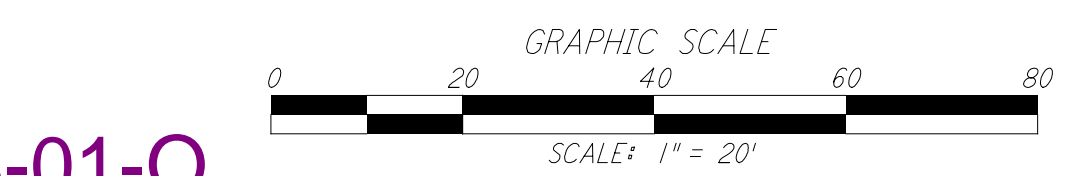
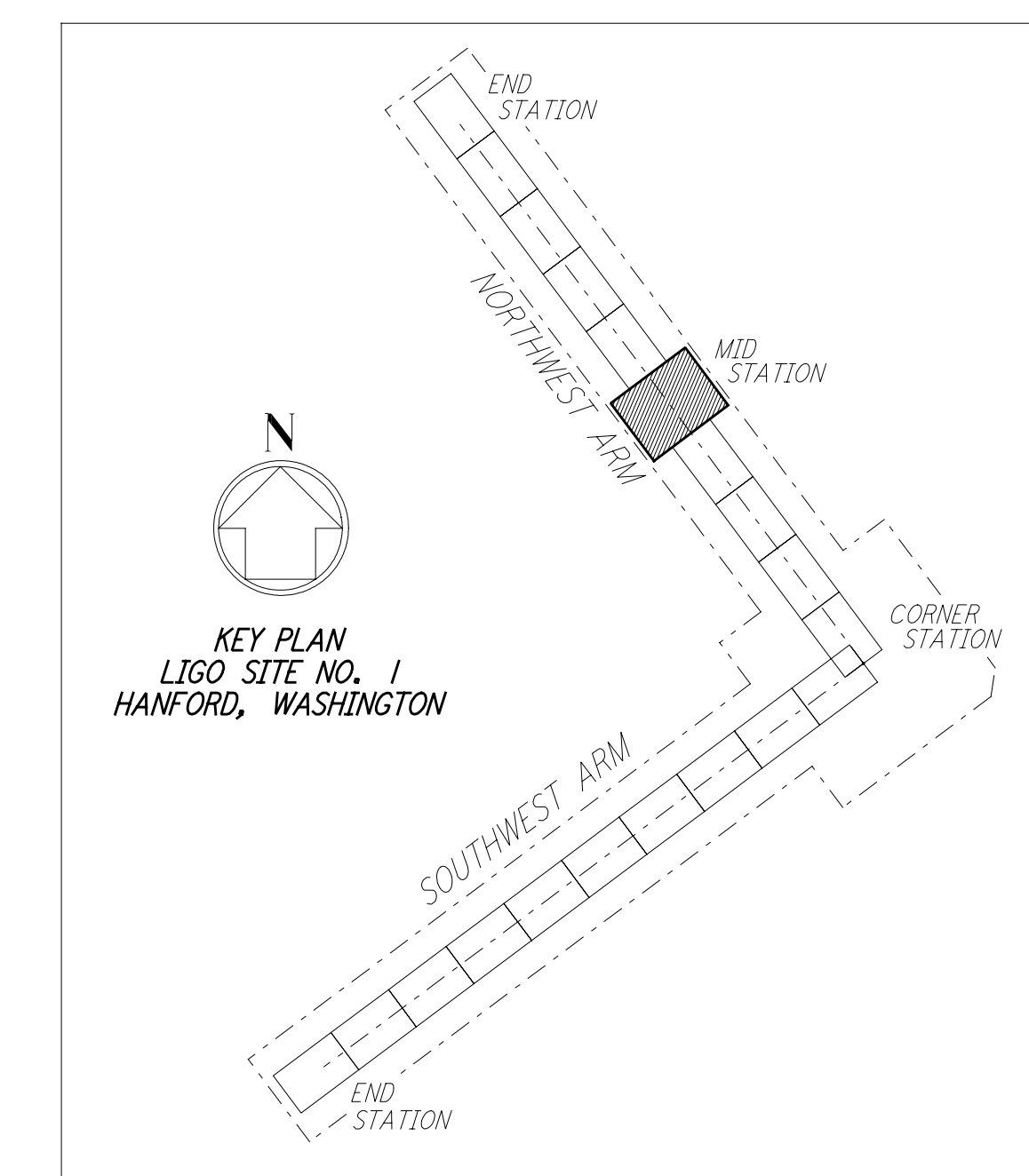


NOTES:  
 1. SEE SHEET WA-C-002 FOR GENERAL NOTES, LEGEND AND ABBREVIATIONS.

This document and the design it covers are the property of PARSONS. They are loaned only with the borrower's expressed written agreement that they will not be reproduced, copied, loaned, exhibited, or used in any other way, except by written consent from PARSONS to the borrower.



ENLARGED PLAN  
 SCALE: 1" = 10'



LIGO-D960213-01-0

NO.	DATE	BY	CHKD	ENGR	PROJ	DESCRIPTION
1	5/15/98	WRB				ISSUED FOR AS-BUILT

FOR CONSTRUCTION  
 DRAWN WRB 9/28/95  
 CHECKED ML 7/9/96  
 ENGINEER JB 7/9/96  
 PROJ MDW 7/9/96

**AS-BUILT DRAWINGS**

**PARSONS**  
 100 WEST WALNUT STREET  
 PASADENA, CALIFORNIA

**LIGO**  
 CALIFORNIA INSTITUTE OF TECHNOLOGY  
 MASSACHUSETTS INSTITUTE OF TECHNOLOGY

LASER INTERFEROMETER  
 GRAVITATIONAL-WAVE OBSERVATORY  
 SITE NO. 1 - HANFORD, WASHINGTON

**CIVIL NORTHWEST ARM MID-STATION GRADING PLAN**

SCALE: 1" = 20' SHEET NUMBER: PPI50969 PROJECT NUMBER: 8094

**WA-C-022**