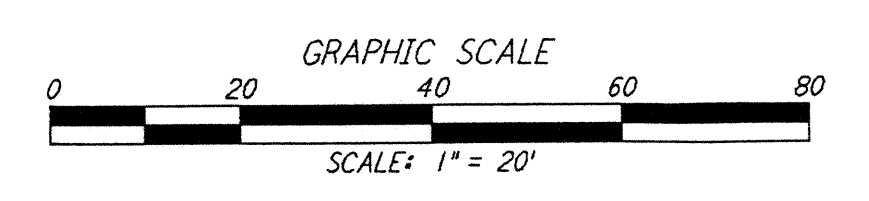
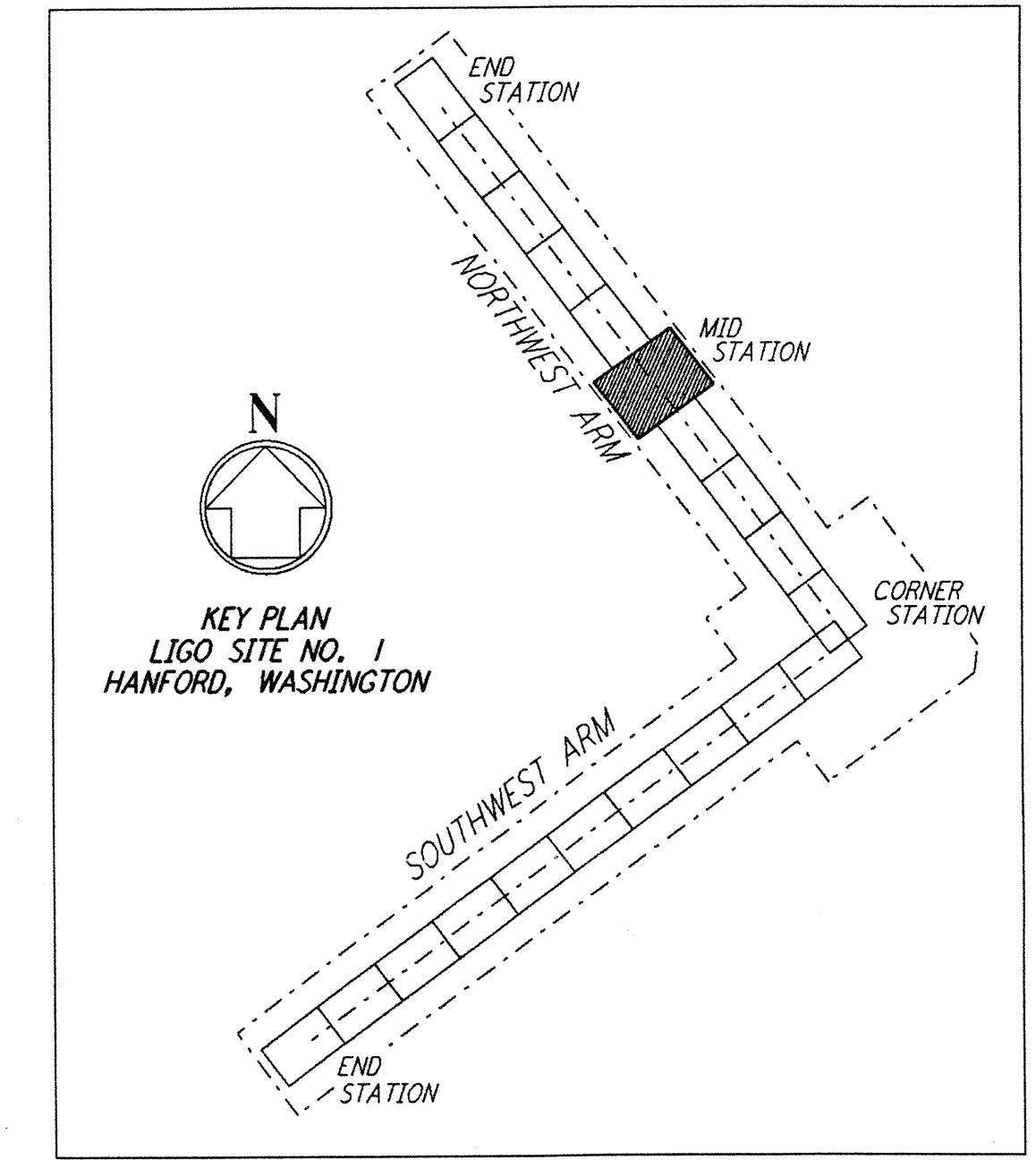
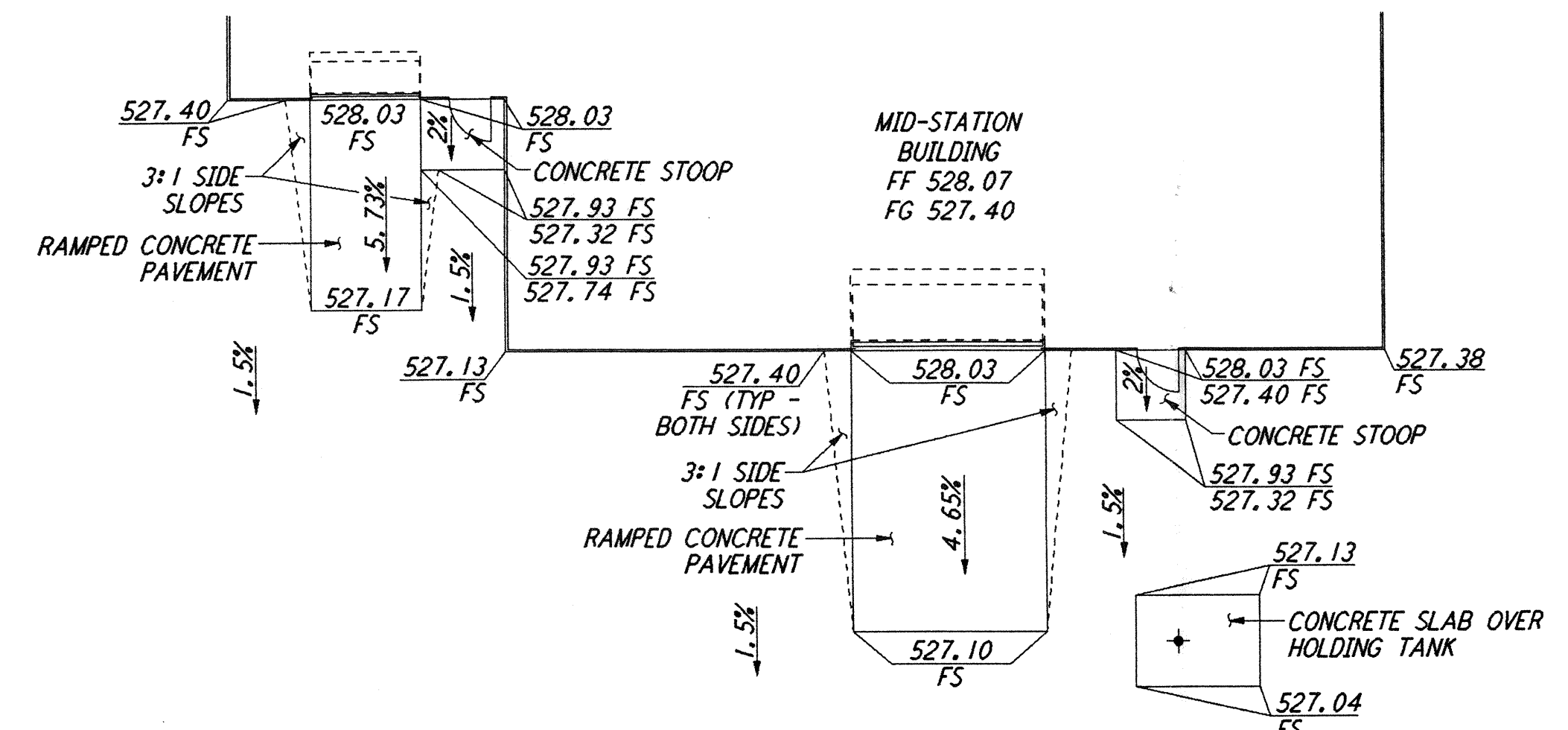
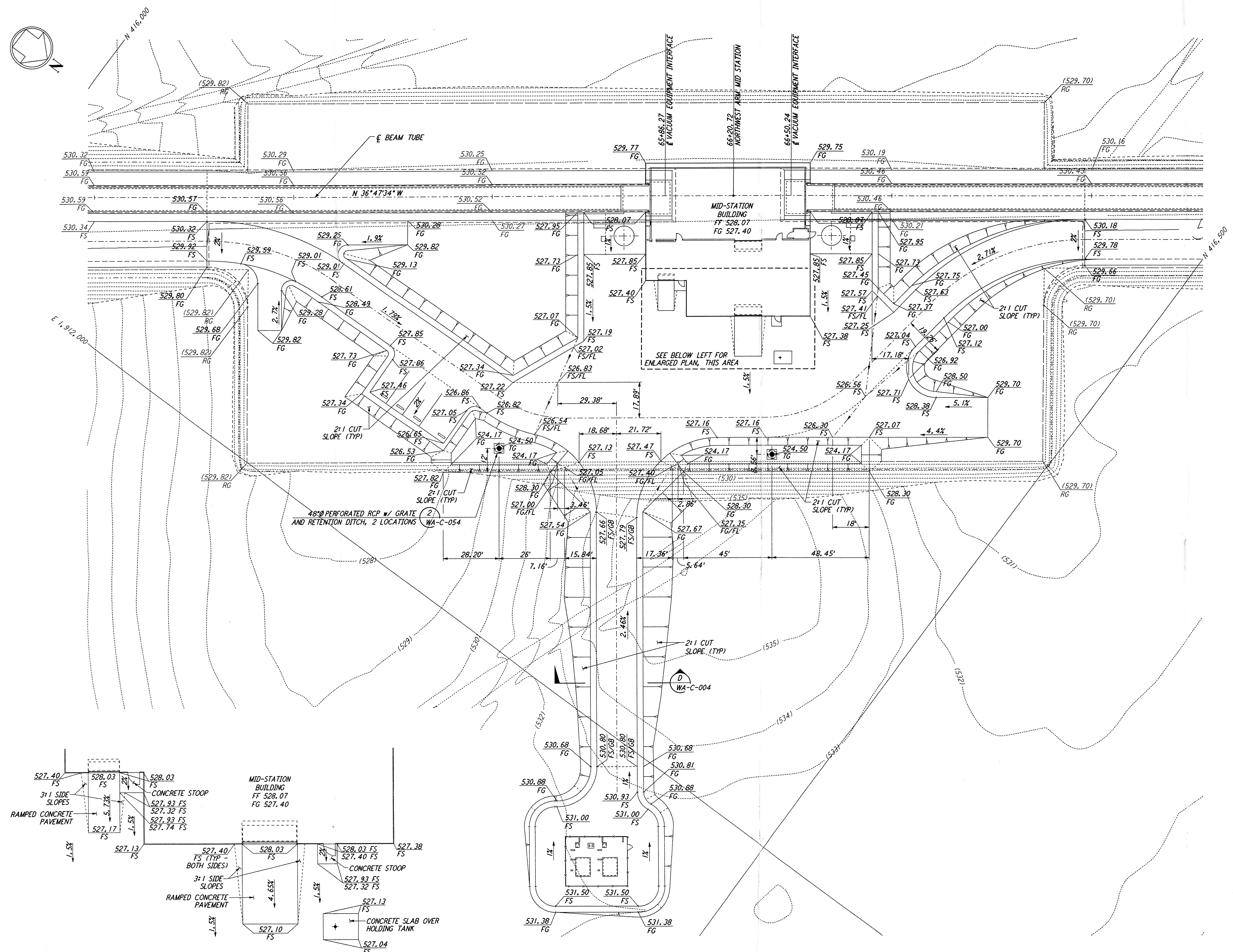


NOTES:
 1. SEE SHEET WA-C-002 FOR GENERAL NOTES, LEGEND AND ABBREVIATIONS.



not be reproduced, copied, loaned, exhibited, or used in any other way, except by written consent from PARSONS to the borrower.

This document and the design it covers are the property of PARSONS. They are loaned only with the borrower's expressed written agreement that they will

NO.	DATE	BY	CHKD	ENGR	PROJ	DESCRIPTION
C	5/22/96	WRB	NM	QJ	MDW	BID ADDENDUM #2
B	4/19/96	WRB	ML	JM	MDW	FINAL DESIGN REVIEW & BID
A	10/31/95	WRB	TDM			PRELIMINARY DESIGN REVIEW

DRAWN	WRB
CHECKED	
ENGINEER	
PROJ	

PARSONS
 100 WEST WALNUT STREET
 PASADENA, CALIFORNIA

LIGO
 CALIFORNIA INSTITUTE OF TECHNOLOGY
 MASSACHUSETTS INSTITUTE OF TECHNOLOGY

LASER INTERFEROMETER
 GRAVITATIONAL-WAVE OBSERVATORY
 SITE NO. 1 - HANFORD, WASHINGTON

CIVIL
 NORTHWEST ARM
 MID-STATION
 GRADING PLAN

SCALE: 1" = 20'

CONTRACT NUMBER: PPI50969
 PROJECT NUMBER: 8094

WA-C-022

LIGO-D960213-C-0

LIGOWAF3.BDR