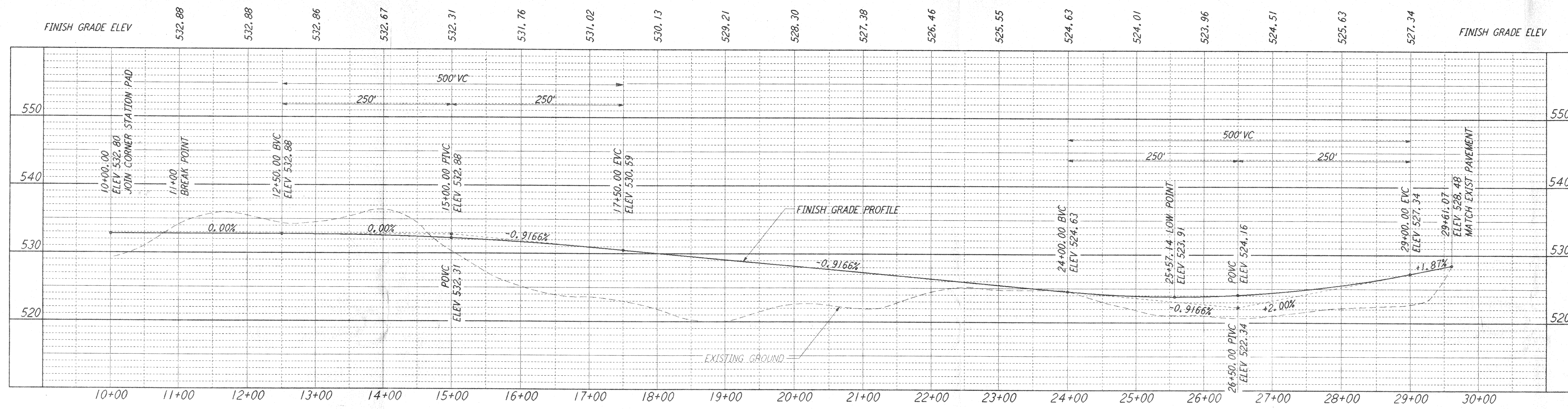


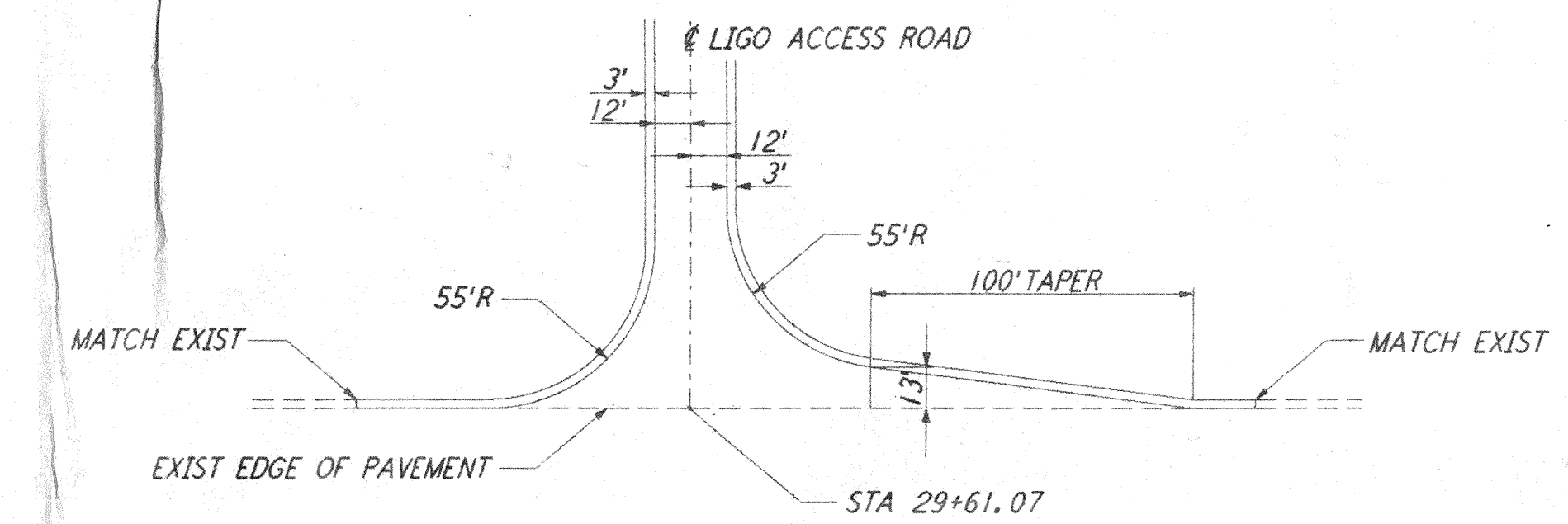
This document and the design it covers are the property of PARSONS. They are loaned only with the borrower's expressed written agreement that they will not be reproduced, copied, loaned, exhibited, or used in any other way, except by written consent from PARSONS to the borrower.



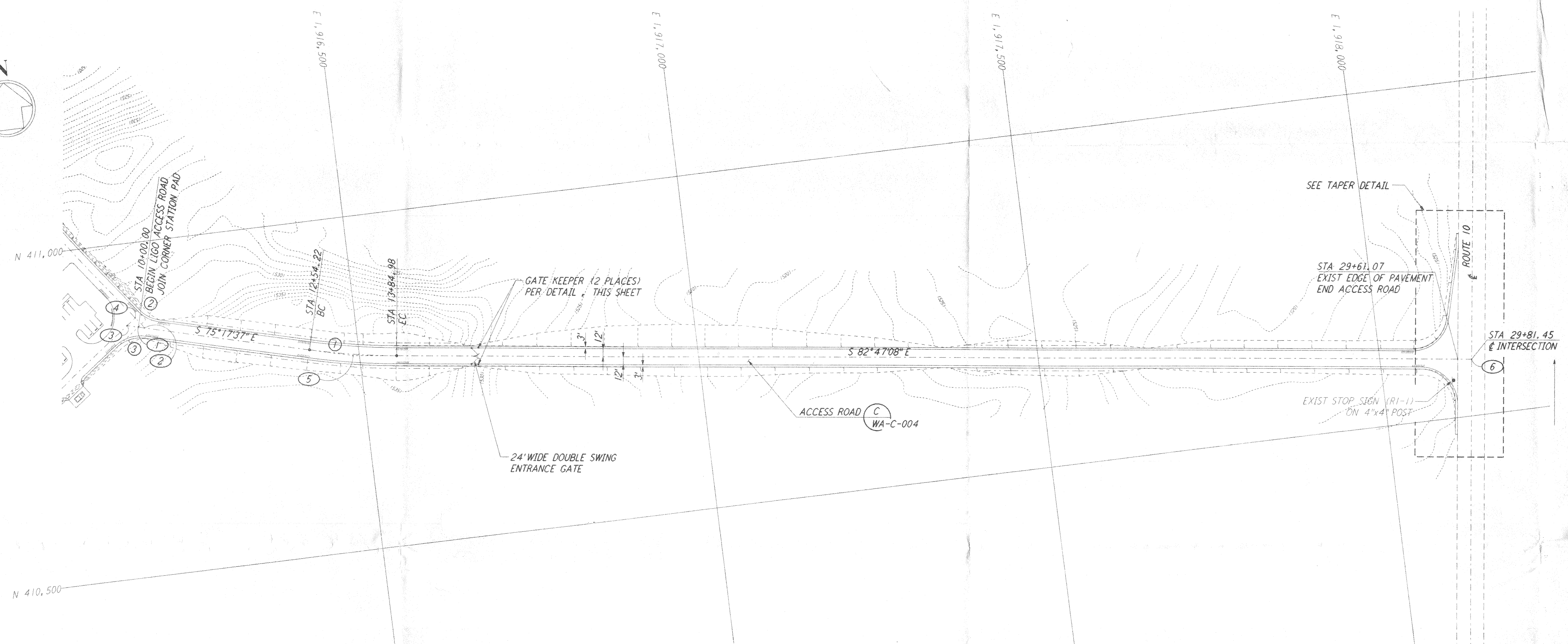
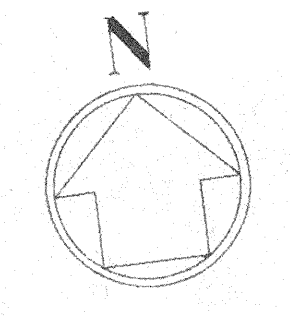
- NOTES:**
- SEE SHEET WA-C-002 FOR GENERAL NOTES, LEGEND AND ABBREVIATIONS.
 - CONTRACTOR SHALL SUBMIT SIGN TEXT LAYOUTS FOR APPROVAL.

COORDINATES			
	NORTH	EAST	REMARK
1	410873.4364	1916179.8451	⊕ ROAD INTERSECTION W/EDGE OF PAD
2	410870.9685	1916189.2481	⊕ ROAD INTERSECTION
3	410877.6535	1916163.7780	⊕ ROAD INTERSECTION
4	410887.4715	1916176.9055	⊕ ROAD INTERSECTION
5	410791.8900	1916490.5401	PI ⊕ ROAD
6	410583.8391	1918136.1831	⊕ ROAD INTERSECTION

PROFILE
 SCALES: HORIZ: 1" = 80'
 VERT: 1" = 8'

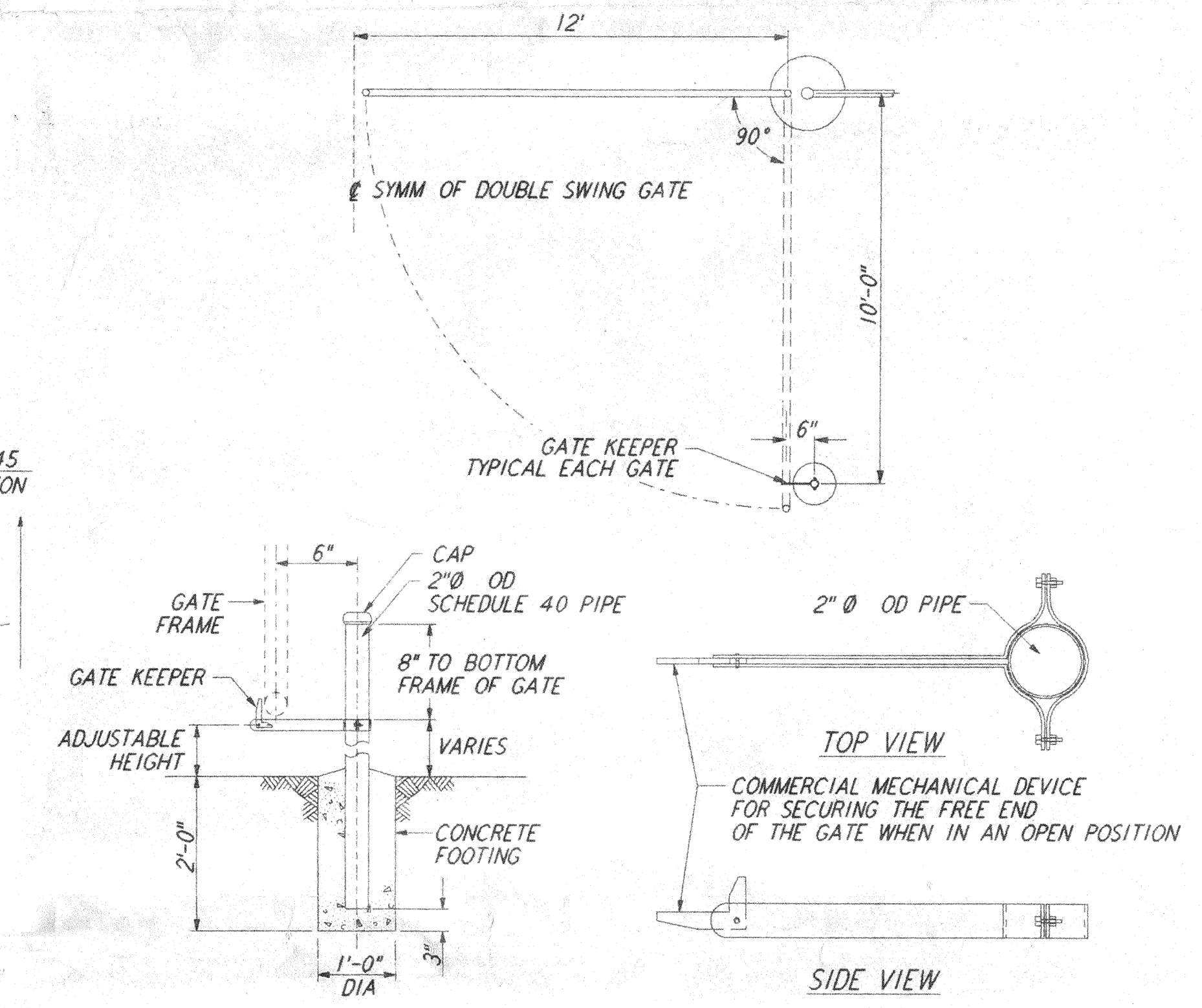


TAPER DETAIL
 NOT TO SCALE

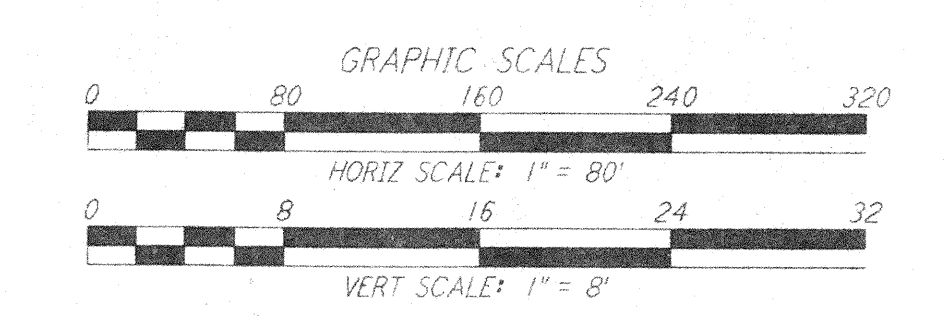


PLAN
 SCALE: 1" = 80'

CURVE DATA					
Δ	RADIUS	LENGTH	TANGENT	REMARK	
1	07°29'31"	1000'	130.76'	65.47'	⊕ ROAD
2	38°30'03"	52'	34.94'	18.16'	EDGE OF PAD (EXIST)
3	51°29'57"	52'	46.74'	25.08'	EDGE OF PAD (EXIST)

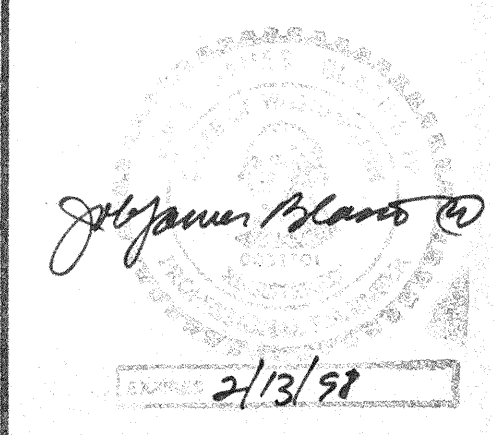


GATE KEEPER
 NOT TO SCALE



REFERENCES		REVISIONS		FOR CONSTRUCTION					
DRAWING NO.	DESCRIPTION	NO.	DATE	BY	CHK'D	ENGR	PROJ	DESCRIPTION	DATE

DRAWN: WRB 9/28/95
 CHECKED: NLL 7/9/96
 ENGINEER: SB 7/9/96
 PROJ: R/W 7/9/96



LASER INTERFEROMETER GRAVITATIONAL-WAVE OBSERVATORY
SITE NO. 1 - HANFORD, WASHINGTON

TITLE: CIVIL LIGO ACCESS ROAD PLAN AND PROFILE
 SCALE: 1" = 80'
 SHEET NUMBER: PPI50969
 PROJECT NUMBER: 8094
WA-C-050