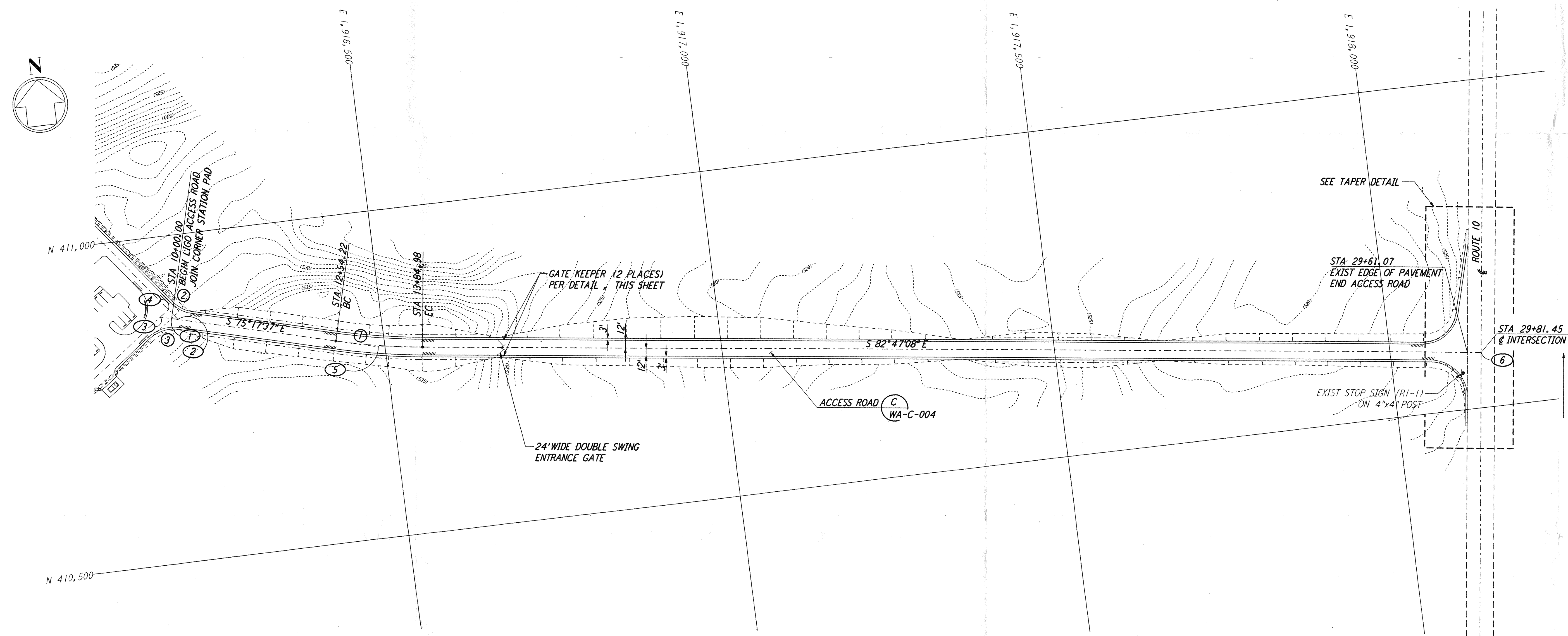
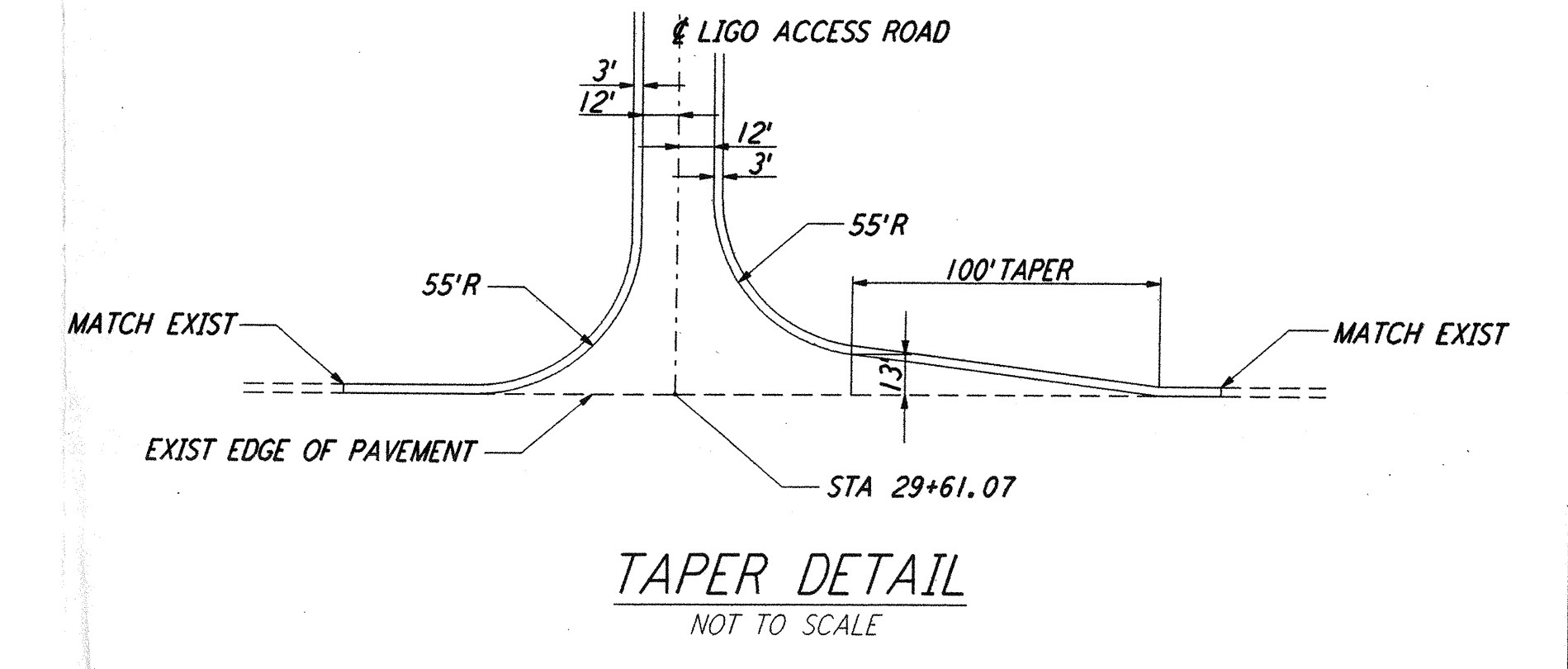


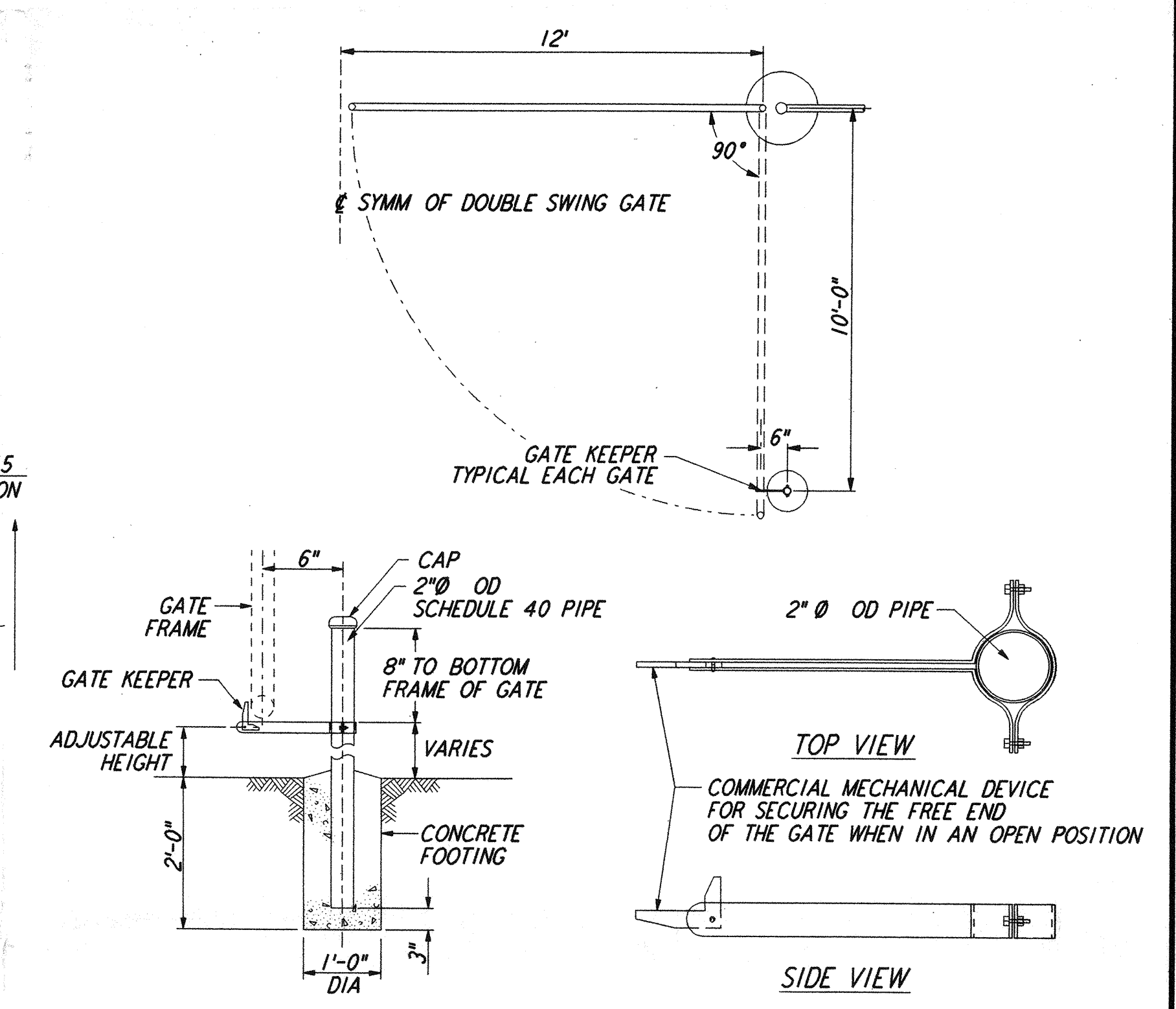
**NOTES:**  
 1. SEE SHEET WA-C-002 FOR GENERAL NOTES, LEGEND AND ABBREVIATIONS.  
 2. CONTRACTOR SHALL SUBMIT SIGN TEXT LAYOUTS FOR APPROVAL.

COORDINATES			
	NORTH	EAST	REMARK
1	410873.4364	1916179.8451	⊕ ROAD INTERSECTION W/EDGE OF PAD
2	410870.9685	1916189.2481	⊕ ROAD INTERSECTION
3	410877.6535	1916163.7780	⊕ ROAD INTERSECTION
4	410887.4715	1916176.9055	⊕ ROAD INTERSECTION
5	410791.8900	1916490.5401	PI ⊕ ROAD
6	410583.8391	1918136.1831	⊕ ROAD INTERSECTION

**PROFILE**  
 SCALES: HORIZ: 1" = 80'  
 VERT: 1" = 8'



CURVE DATA					
Δ	RADIUS	LENGTH	TANGENT	REMARK	
1	07°29'31"	1000'	130.76'	65.47'	⊕ ROAD
2	38°30'03"	52'	34.94'	18.16'	EDGE OF PAD (EXIST)
3	51°29'57"	52'	46.74'	25.08'	EDGE OF PAD (EXIST)



**GATE KEEPER**  
 NOT TO SCALE

**LIGO-D960234-01-0**

GRAPHIC SCALES  
 HORIZ SCALE: 1" = 80'  
 VERT SCALE: 1" = 8'

This document and the design it covers are the property of PARSONS. They are loaned only with the borrower's expressed written agreement that they will not be reproduced, copied, loaned, exhibited, or used in any other way, except by written consent from PARSONS to the borrower.

NO.	DATE	BY	CHKD	ENGR	PROJ	DESCRIPTION
1	5/15/98	WRB				ISSUED FOR AS-BUILT

FOR CONSTRUCTION  
 DRAWN: WRB 9/28/95  
 CHECKED: ML 7/9/96  
 ENGINEER: JB 7/9/96  
 PROJ: MDW 7/9/96

**AS-BUILT DRAWINGS**

**PARSONS**  
 100 WEST WALNUT STREET  
 PASADENA, CALIFORNIA

**LIGO**  
 CALIFORNIA INSTITUTE OF TECHNOLOGY  
 MASSACHUSETTS INSTITUTE OF TECHNOLOGY

LASER INTERFEROMETER  
 GRAVITATIONAL-WAVE OBSERVATORY  
 SITE NO. 1 - HANFORD, WASHINGTON

CIVIL  
 LIGO ACCESS ROAD  
 PLAN AND PROFILE

SCALE: 1" = 80'  
 CONTRACT NUMBER: PPI50969  
 PROJECT NUMBER: 8094

SHEET NUMBER: **WA-C-050**