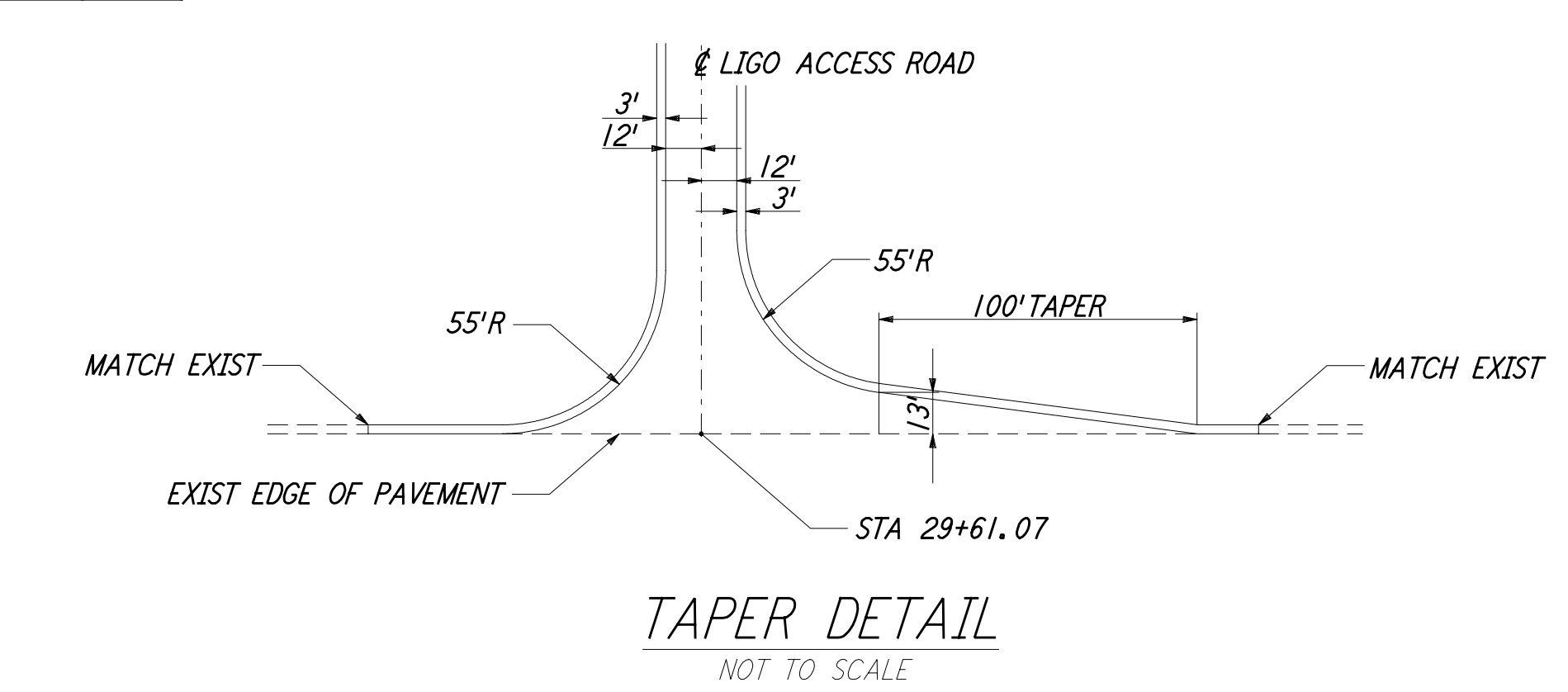


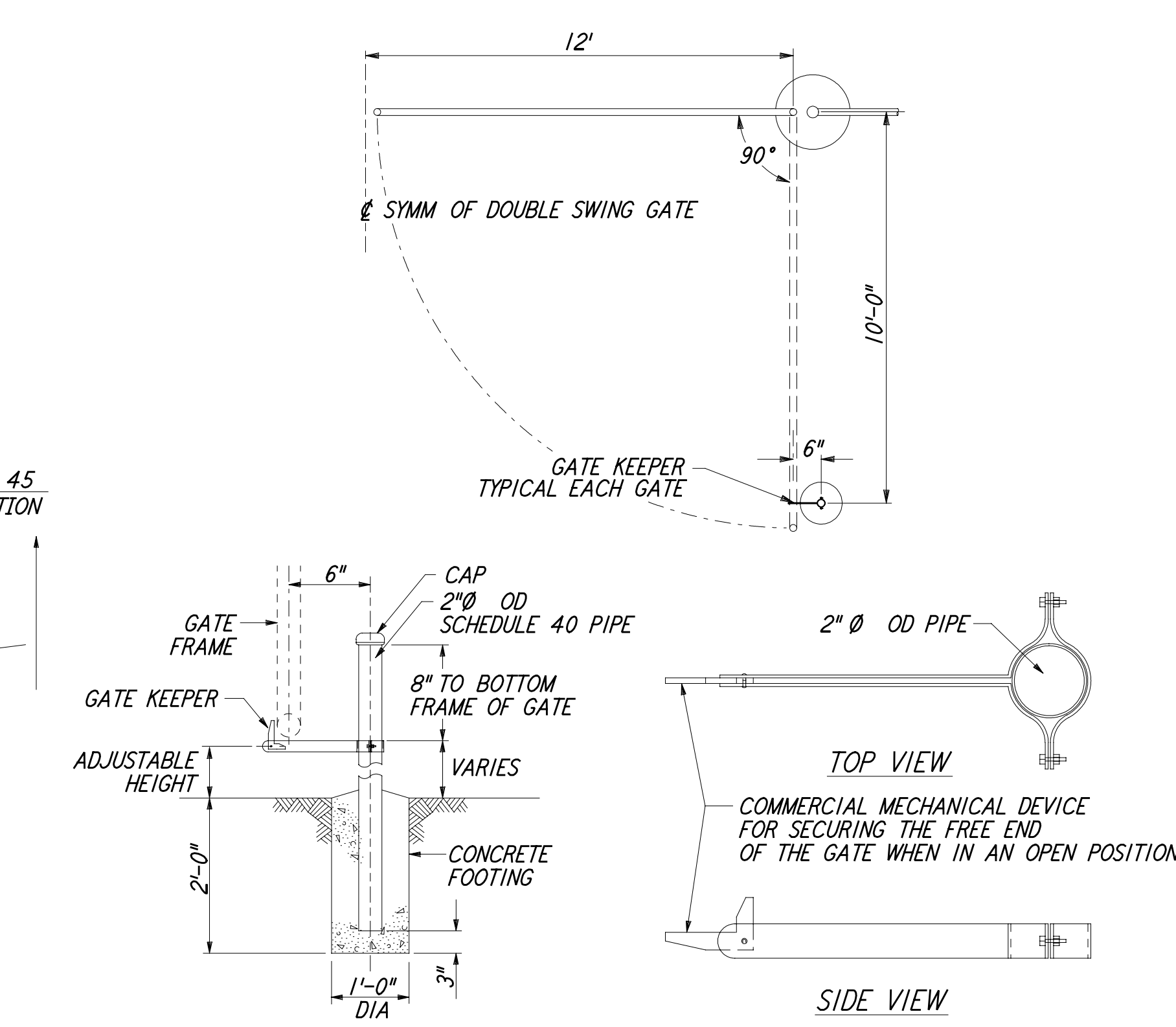
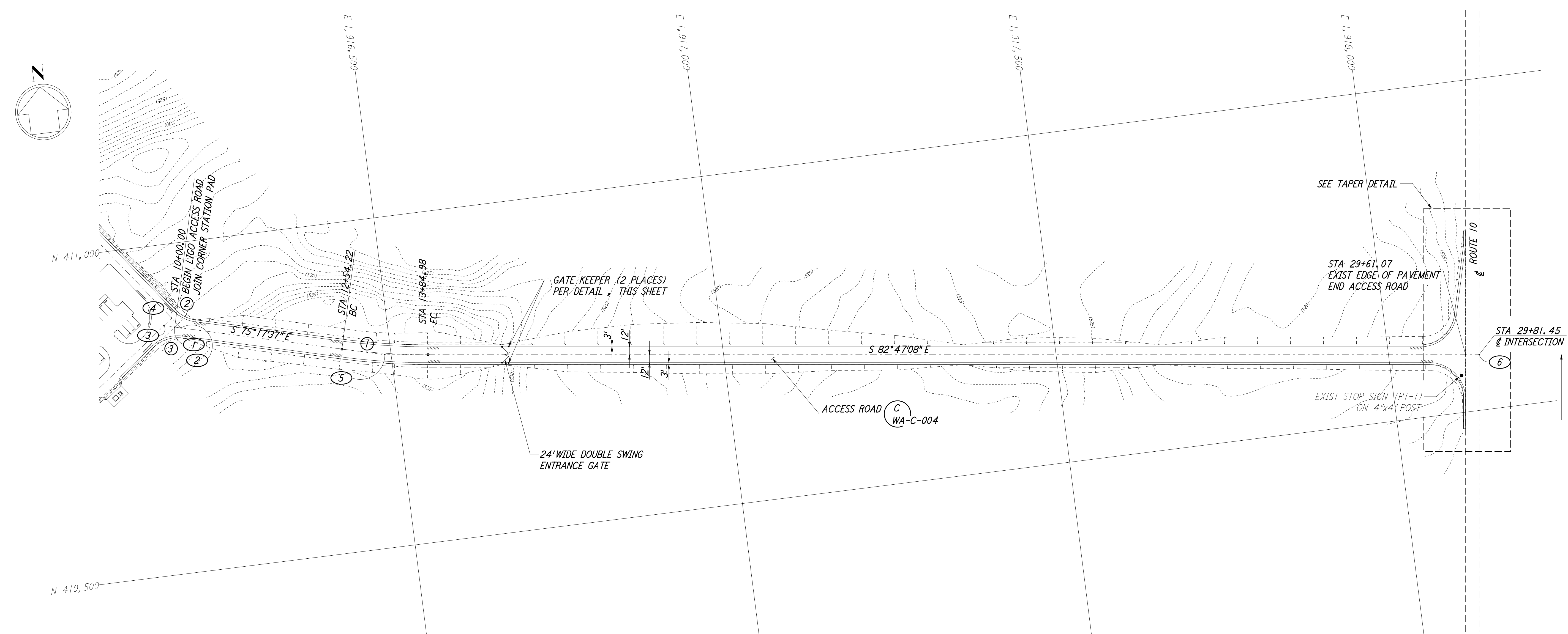
- NOTES:**
- SEE SHEET WA-C-002 FOR GENERAL NOTES, LEGEND AND ABBREVIATIONS.
 - CONTRACTOR SHALL SUBMIT SIGN TEXT LAYOUTS FOR APPROVAL.

COORDINATES			
	NORTH	EAST	REMARK
1	410873.4364	1916179.8451	⊕ ROAD INTERSECTION w/EDGE OF PAD
2	410870.9685	1916189.2491	⊕ ROAD INTERSECTION
3	410877.6535	1916163.7780	⊕ ROAD INTERSECTION
4	410887.4715	1916176.9055	⊕ ROAD INTERSECTION
5	410791.8900	1916490.5401	PI ⊕ ROAD
6	410583.8391	1918136.1831	⊕ ROAD INTERSECTION

PROFILE
 SCALES: HORIZ: 1" = 80'
 VERT: 1" = 8'



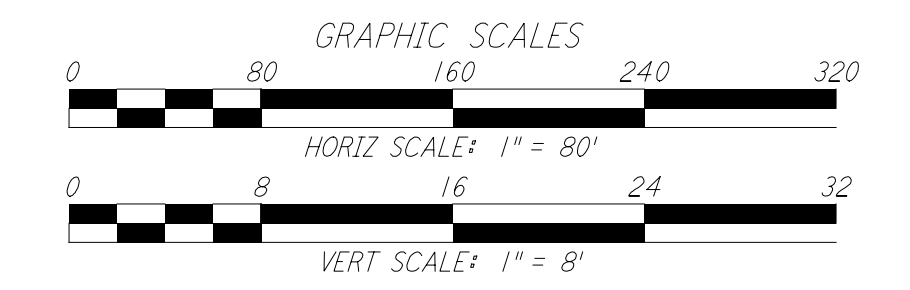
TAPER DETAIL
 NOT TO SCALE



GATE KEEPER
 NOT TO SCALE

CURVE DATA					
Δ	RADIUS	LENGTH	TANGENT	REMARK	
1	07°29'31"	1000'	130.76'	65.47'	⊕ ROAD
2	38°30'03"	52'	34.94'	18.16'	EDGE OF PAD (EXIST)
3	51°29'57"	52'	46.74'	25.08'	EDGE OF PAD (EXIST)

PLAN
 SCALE: 1" = 80'



LIGO-D960234-01-0

NO.	DATE	BY	CHKD	ENGR	PROJ	DESCRIPTION
1	5/15/98	WRB				ISSUED FOR AS-BUILT

FOR CONSTRUCTION
 DRAWN: WRB 9/28/95
 CHECKED: ML 7/9/96
 ENGINEER: JB 7/9/96
 PROJ: MDW 7/9/96

AS-BUILT DRAWINGS



LASER INTERFEROMETER
 GRAVITATIONAL-WAVE OBSERVATORY
 SITE NO. 1 - HANFORD, WASHINGTON

CIVIL
 LIGO ACCESS ROAD
 PLAN AND PROFILE

SCALE: 1" = 80'
 SHEET NUMBER: PPI50969
 PROJECT NUMBER: 8094

WA-C-050

This document and the design it covers are the property of PARSONS. They are loaned only with the borrower's expressed written agreement that they will not be reproduced, copied, loaned, exhibited, or used in any other way, except by written consent from PARSONS to the borrower.

This document and the design it covers are the property of PARSONS. They are loaned only with the borrower's expressed written agreement that they will not be reproduced, copied, loaned, exhibited, or used in any other way, except by written consent from PARSONS to the borrower.

The user of this drawing is advised that the design is based on the information provided to the engineer and is not a warranty of fitness for a particular purpose. The user of this drawing is advised that the design is based on the information provided to the engineer and is not a warranty of fitness for a particular purpose.