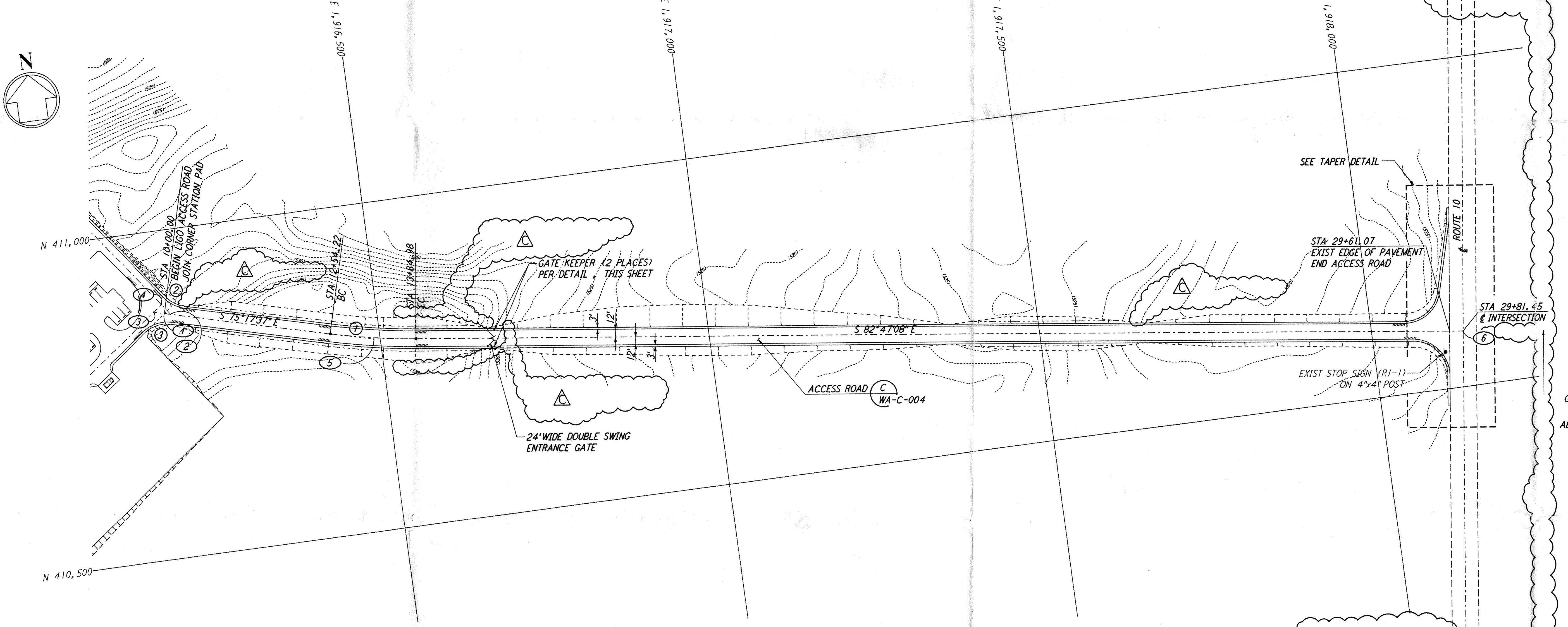
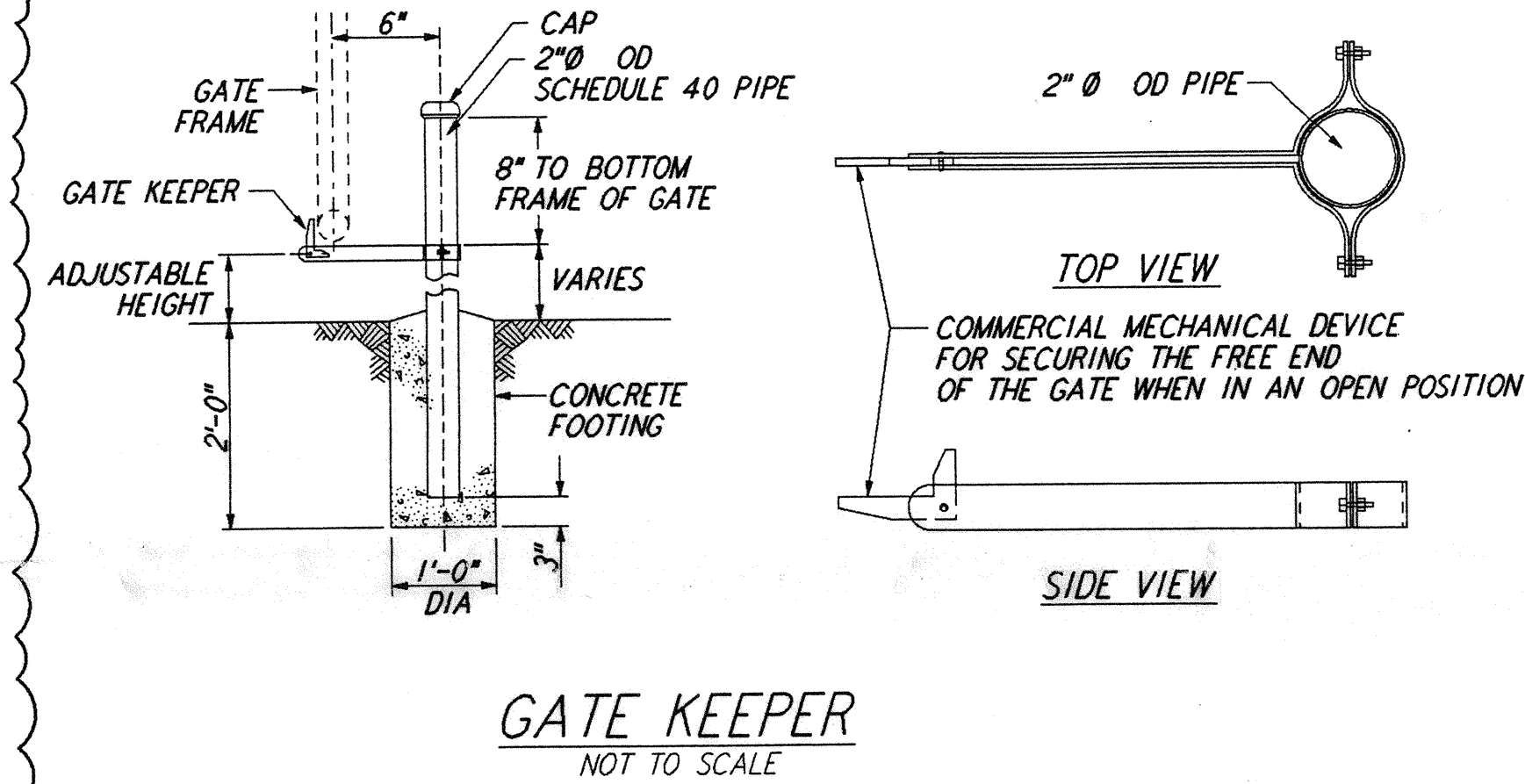
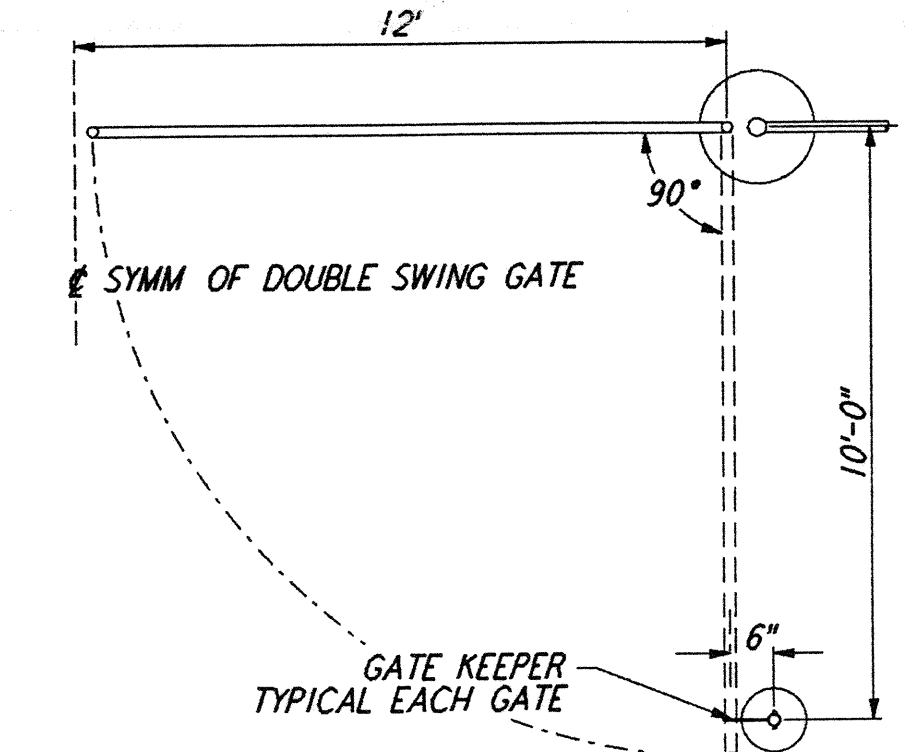
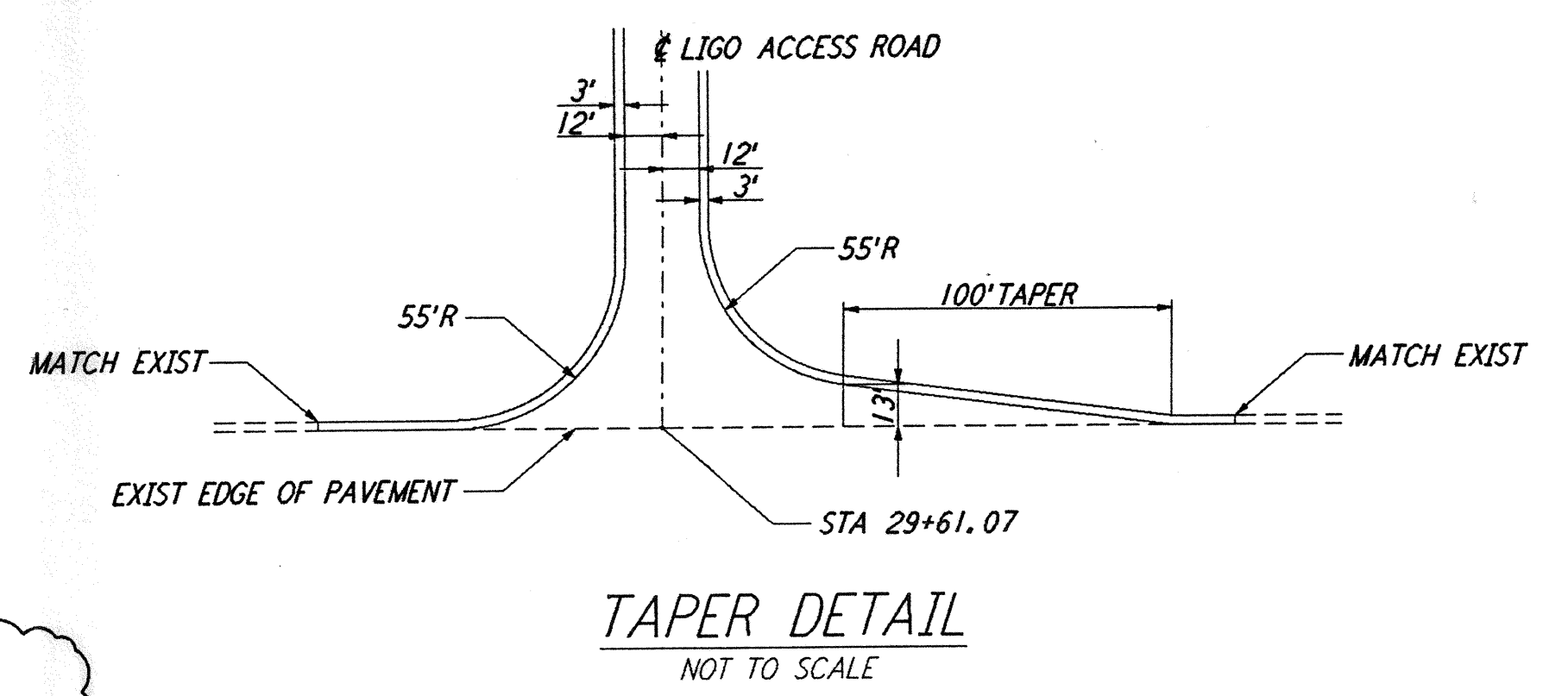


COORDINATES			REMARK
	NORTH	EAST	
1	410873.4364	1916179.8451	⊕ ROAD INTERSECTION W/EDGE OF PAD
2	410870.9685	1916189.2481	⊕ ROAD INTERSECTION
3	410877.6535	1916163.7780	⊕ ROAD INTERSECTION
4	410887.4715	1916176.9055	⊕ ROAD INTERSECTION
5	410791.8900	1916490.5401	PI ⊕ ROAD
6	410583.8391	1918136.1831	⊕ ROAD INTERSECTION

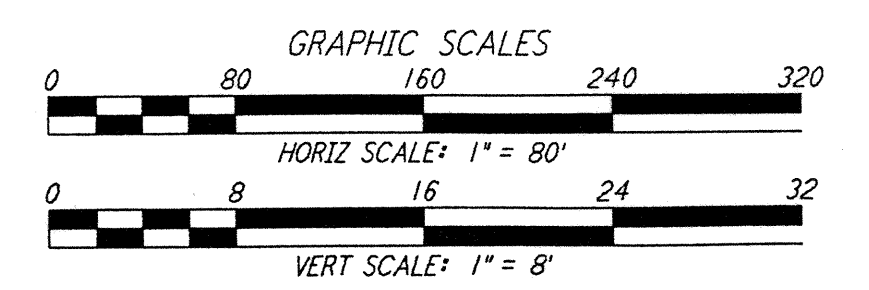
PROFILE
 SCALES: HORIZ: 1" = 80'
 VERT: 1" = 8'

NOTES:
 1. SEE SHEET WA-C-002 FOR GENERAL NOTES, LEGEND AND ABBREVIATIONS.
 2. CONTRACTOR SHALL SUBMIT SIGN TEXT LAYOUTS FOR APPROVAL.



CURVE DATA					
Δ	RADIUS	LENGTH	TANGENT	REMARK	
1	07°29'31"	1000'	130.76'	65.47'	⊕ ROAD
2	38°30'03"	52'	34.94'	18.16'	EDGE OF PAD (EXIST)
3	51°29'57"	52'	46.74'	25.08'	EDGE OF PAD (EXIST)

PLAN
 SCALE: 1" = 80'



This document and the design it covers are the property of PARSONS. They are loaned only with the borrower's expressed written agreement that they will not be reproduced, copied, loaned, exhibited, or used in any other way, except by written consent from PARSONS to the borrower.

NO.	DATE	BY	CHKD	ENGR	PROJ	DESCRIPTION
C	5/22/96	WRB	ML	JB	MDW	BID ADDENDUM #2
B	4/19/96	WRB	ML	JB	MDW	FINAL DESIGN REVIEW & BID
A	10/31/95	WRB	ML	JB	TOM	PRELIMINARY DESIGN REVIEW

DRAWN	WRB
CHECKED	
ENGINEER	
PROJ	

PARSONS
 100 WEST WALNUT STREET
 PASADENA, CALIFORNIA

LIGO
 CALIFORNIA INSTITUTE OF TECHNOLOGY
 MASSACHUSETTS INSTITUTE OF TECHNOLOGY

LASER INTERFEROMETER
 GRAVITATIONAL-WAVE OBSERVATORY
 SITE NO. 1 - HANFORD, WASHINGTON

CIVIL
 LIGO ACCESS ROAD
 PLAN AND PROFILE

SCALE: 1" = 80'
 CONTRACT NUMBER: PPI50969
 PROJECT NUMBER: 8094

WA-C-050