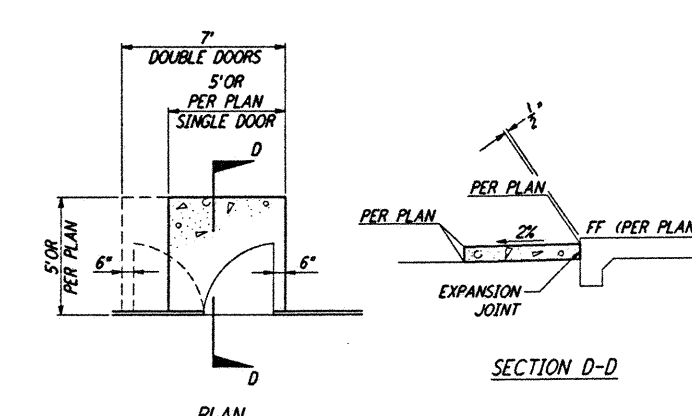
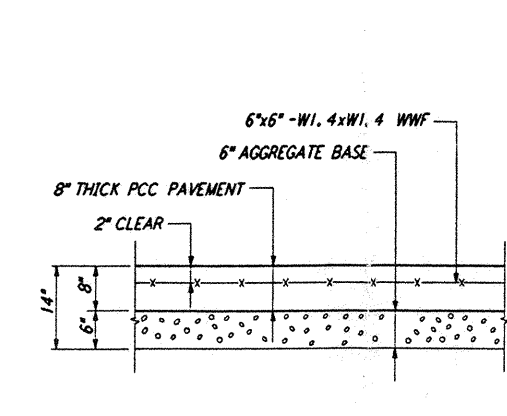


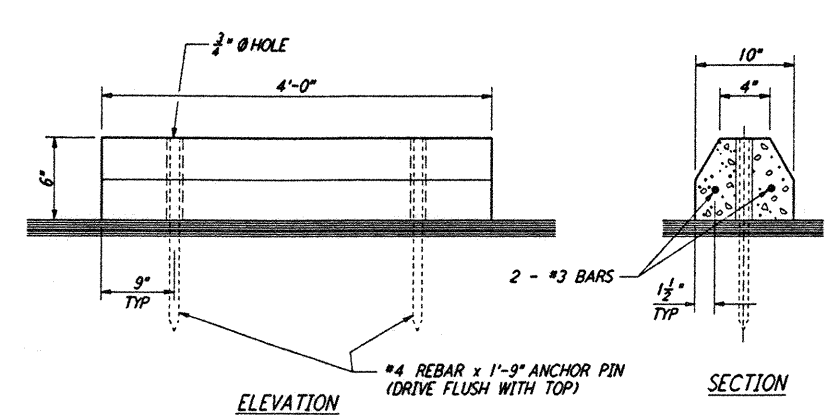
CONCRETE WALKWAY (1) REF: WA-C-051, WA-C-505, WA-C-021, WA-C-006, WA-C-025, WA-C-041, WA-C-045



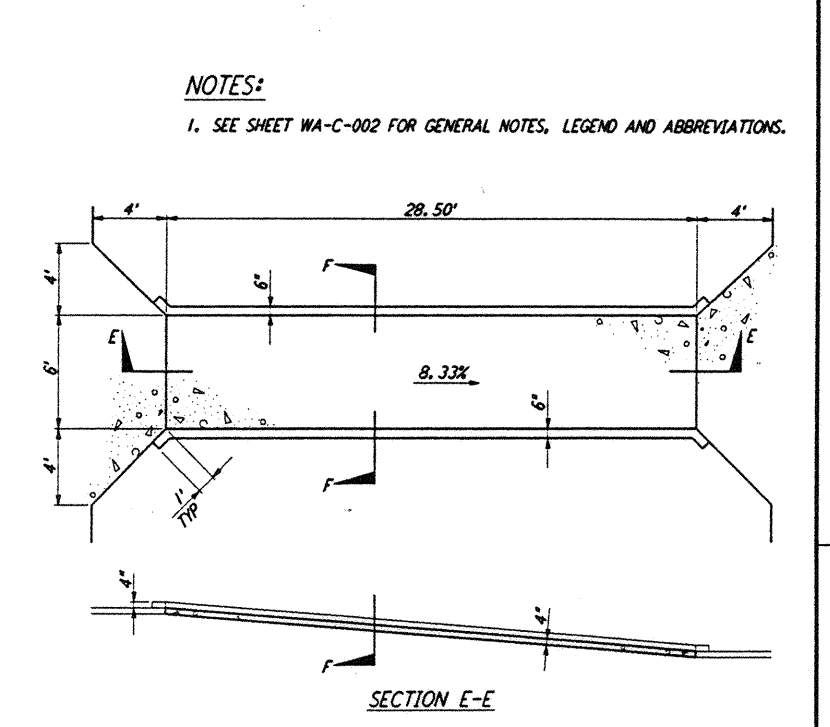
CONCRETE STOOP (2) REF: WA-C-051, WA-C-505, WA-C-021, WA-C-006, WA-C-025, WA-C-041, WA-C-045



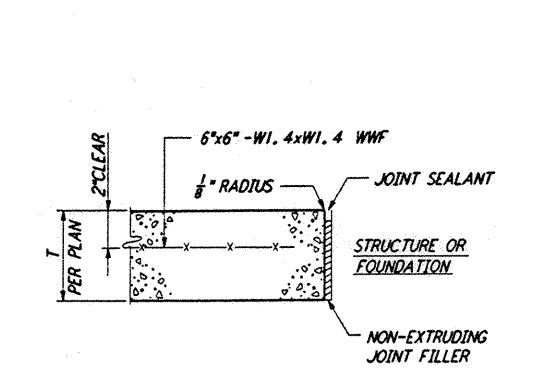
CONCRETE PAVEMENT (3) REF: WA-C-051, WA-C-505, WA-C-006, WA-C-021, WA-C-025, WA-C-041, WA-C-045



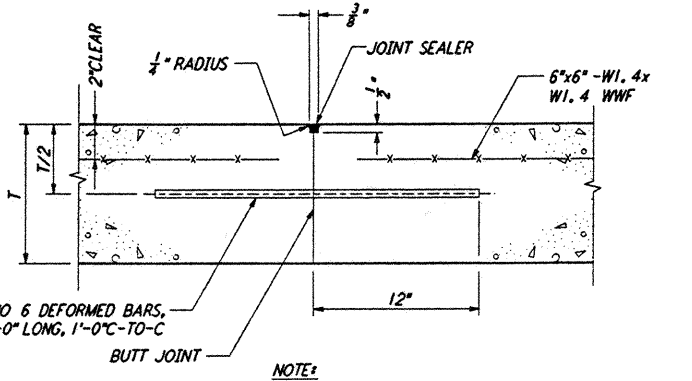
CONCRETE PARKING BUMPER (4) REF: WA-C-051, WA-C-505, WA-C-006, WA-C-021, WA-C-025, WA-C-041, WA-C-045



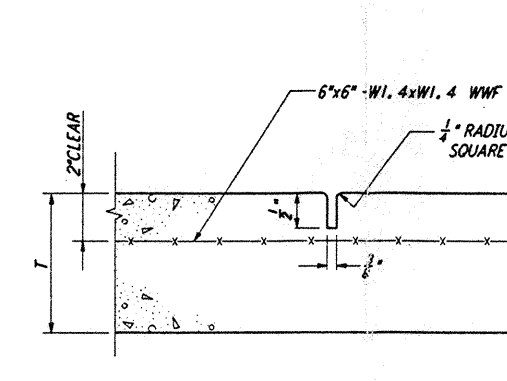
CONCRETE RAMP (9) REF: WA-C-051, WA-C-505, WA-C-006



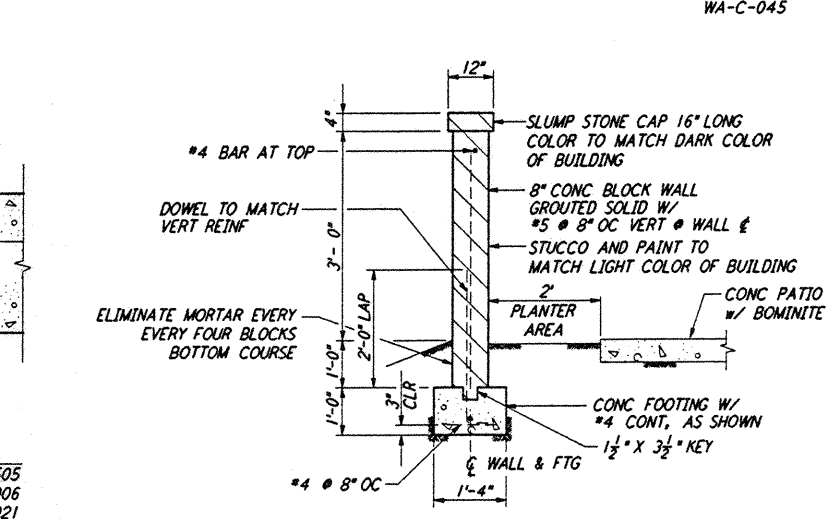
EXPANSION JOINT (5) REF: WA-C-051, WA-C-505, WA-C-006, WA-C-021, WA-C-025, WA-C-041, WA-C-045



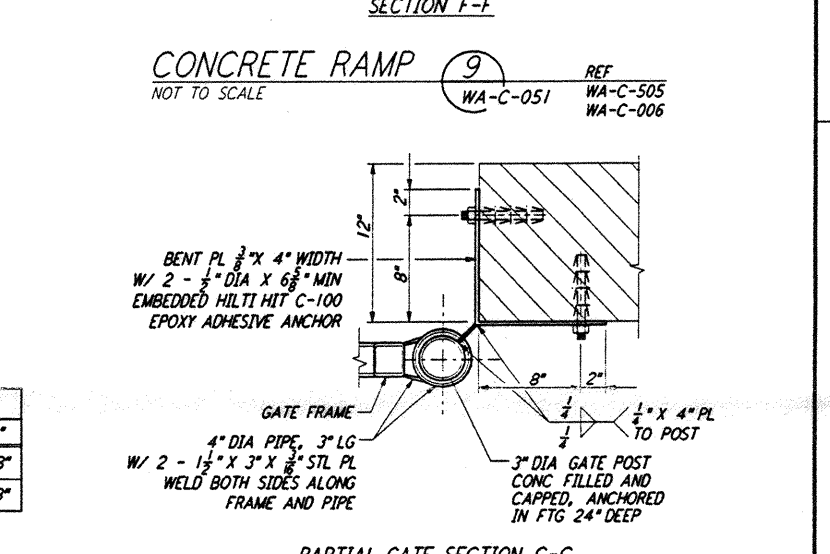
CONSTRUCTION JOINT (6) REF: WA-C-051, WA-C-505, WA-C-006, WA-C-021, WA-C-025, WA-C-041, WA-C-045



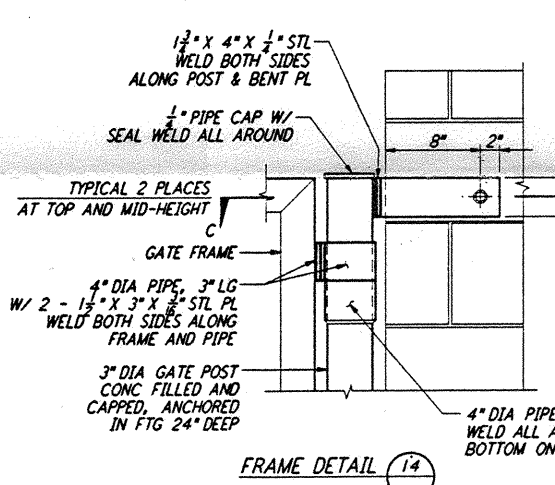
CONTRACTION JOINT (7) REF: WA-C-051, WA-C-505, WA-C-006, WA-C-021, WA-C-025, WA-C-041, WA-C-045



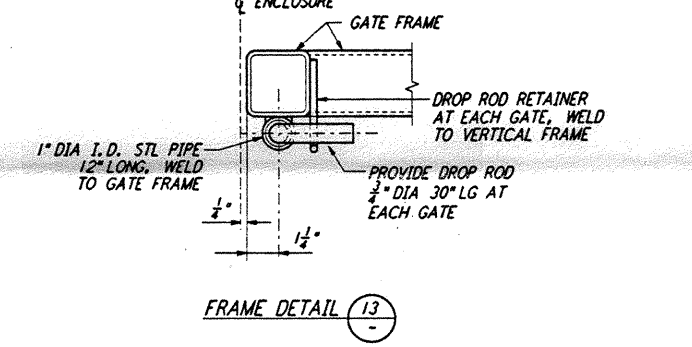
PATIO WALL (8) REF: WA-C-051, WA-C-505, WA-C-006



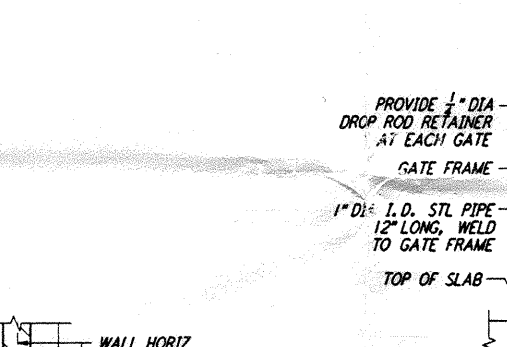
PARTIAL GATE SECTION C-C



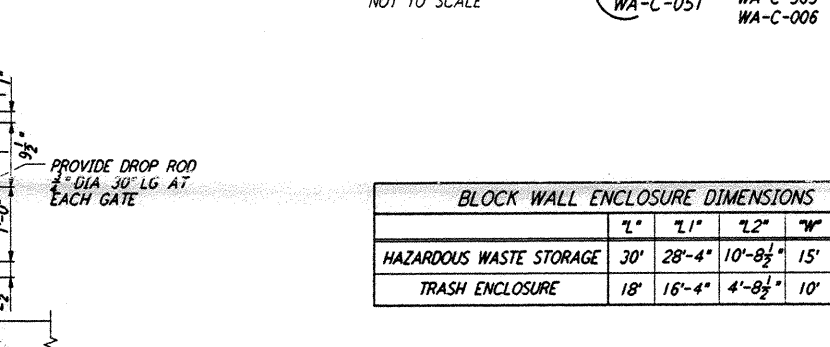
FRAME DETAIL (14)



FRAME DETAIL (13)



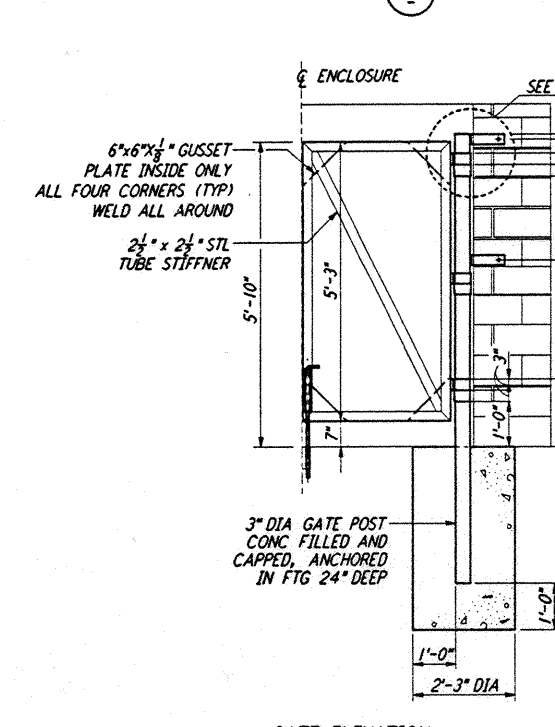
PARTIAL GATE SECTION A-A



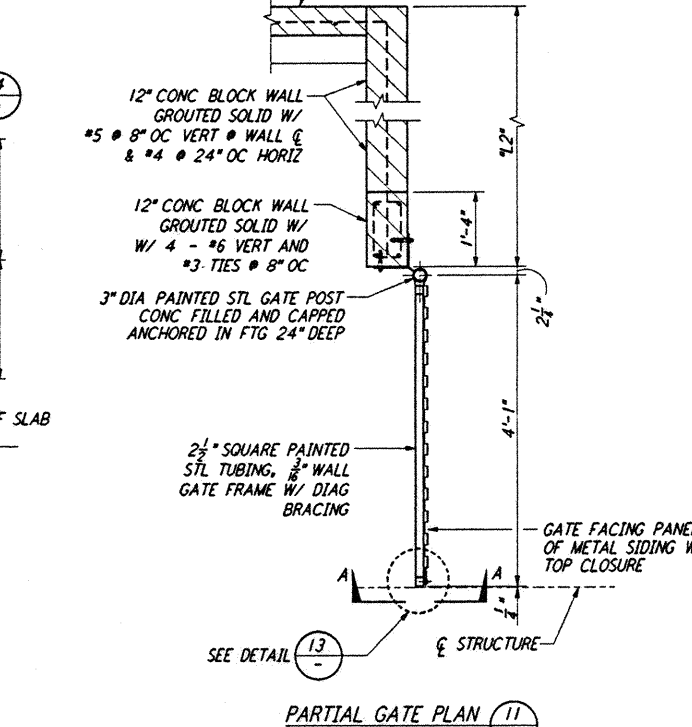
PARTIAL WALL PLAN (12)

BLOCK WALL ENCLOSURE DIMENSIONS				
	7'	7 1/2'	7'2"	7'0"
HAZARDOUS WASTE STORAGE	30'	28'-4"	10'-0 1/2"	15' 13'-8"
TRASH ENCLOSURE	18'	16'-4"	4'-0 1/2"	10' 8'-0"

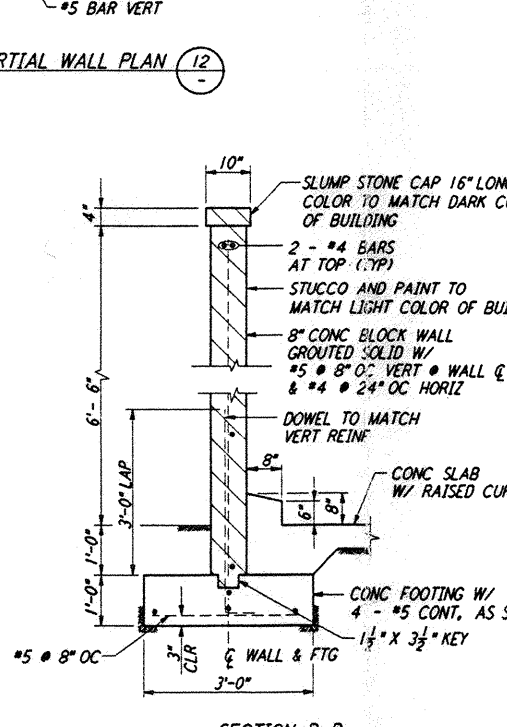
NOTE: 1. FOR SLAB FINISHED GRADES, SEE GRADING PLAN.



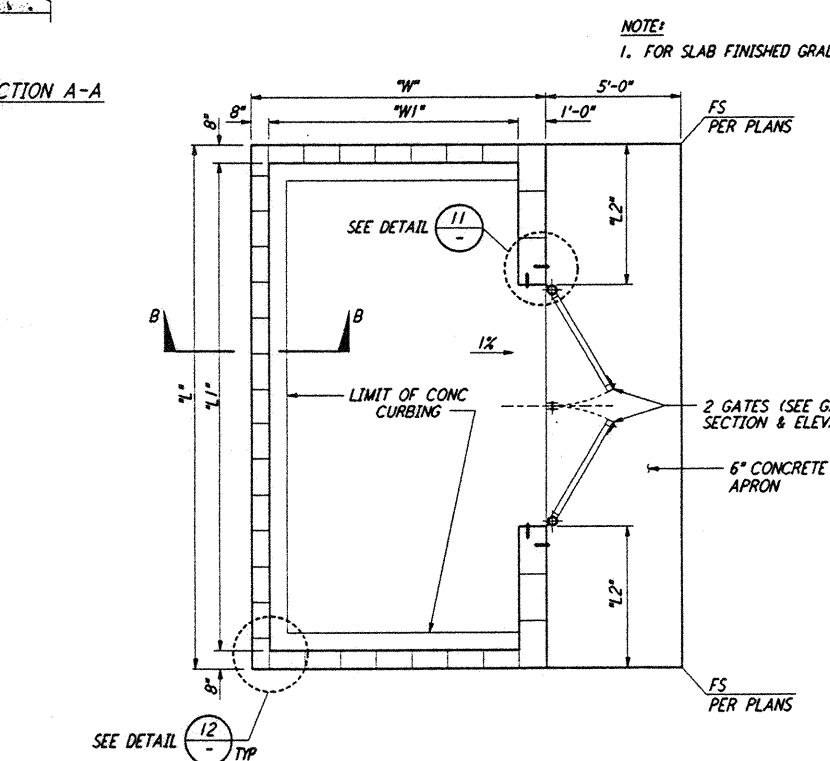
GATE ELEVATION



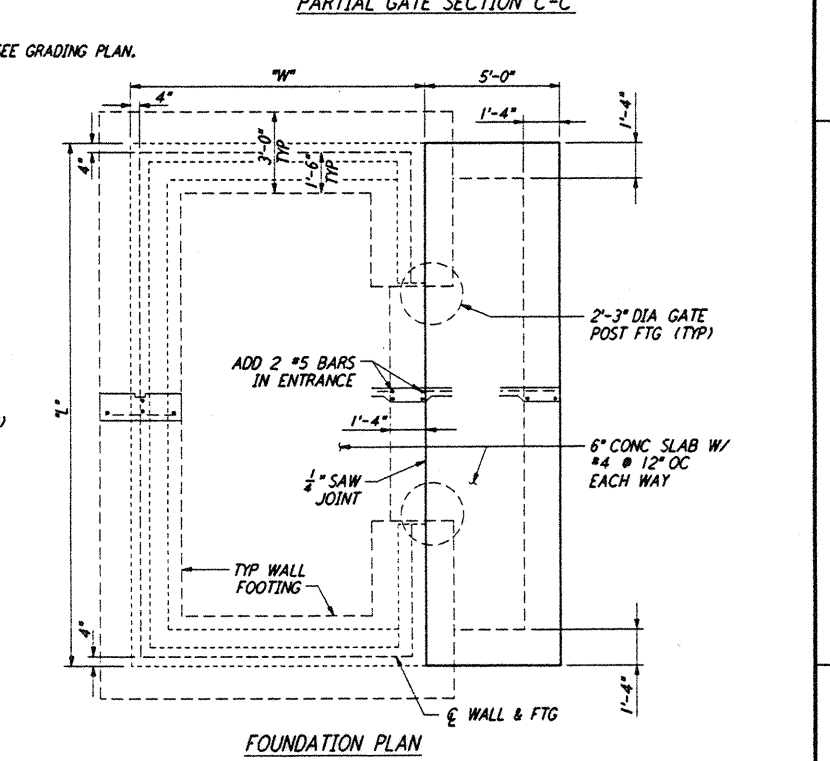
PARTIAL GATE PLAN (11)



SECTION B-B



BLOCK WALL ENCLOSURE FOR TRASH AND HAZARDOUS WASTE STORAGE (10) REF: WA-C-051, WA-C-505, WA-C-006



FOUNDATION PLAN

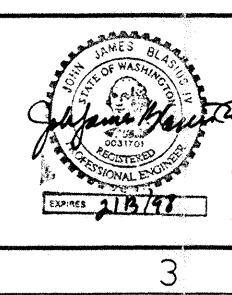
not be reproduced, copied, loaned, exhibited, or used in any other way, except by written consent from PARSONS to the borrower.

This document and the design it covers are the property of PARSONS. They are loaned only with the borrower's expressed written agreement that they will

NO. JUL 83, BIRMG. 179, 57-930C, JAVULI3\WEB\57-930C\LEAD1.DWG

NO.	DATE	BY	CHKD	ENGR	PROJ	DESCRIPTION

FOR CONSTRUCTION	
DRAWN	WRB 9/28/95
CHECKED	
ENGINEER	
PROJ	



PARSONS
 100 WEST WALNUT STREET
 PASADENA, CALIFORNIA

LIGO
 CALIFORNIA INSTITUTE OF TECHNOLOGY
 MASSACHUSETTS INSTITUTE OF TECHNOLOGY

LASER INTERFEROMETER
 GRAVITATIONAL-WAVE OBSERVATORY
 SITE NO. 1 - HANFORD, WASHINGTON

CIVIL
 SITEWORK DETAILS
 SHEET 1

AS NOTED PPI50969 8094
WA-C-051