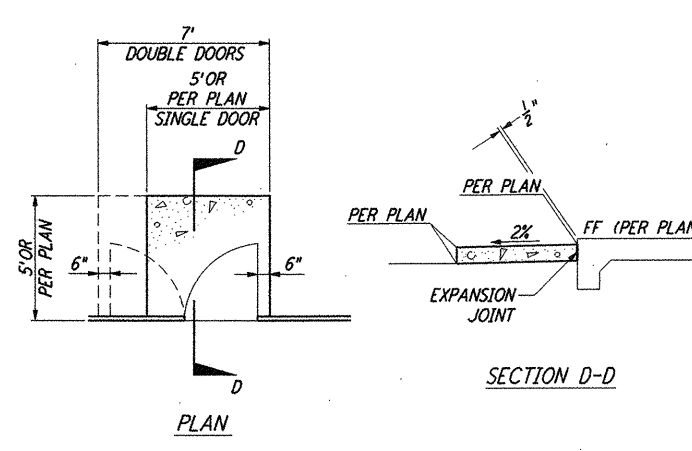
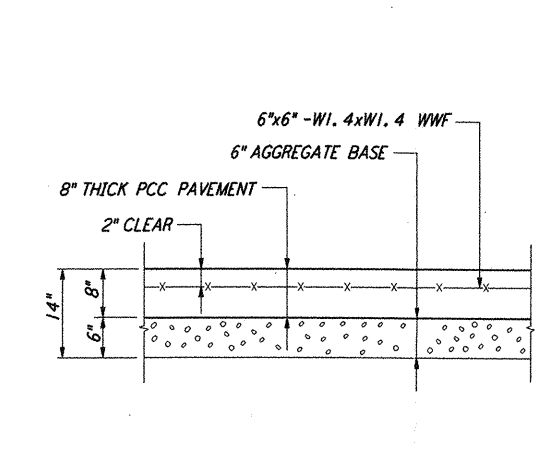


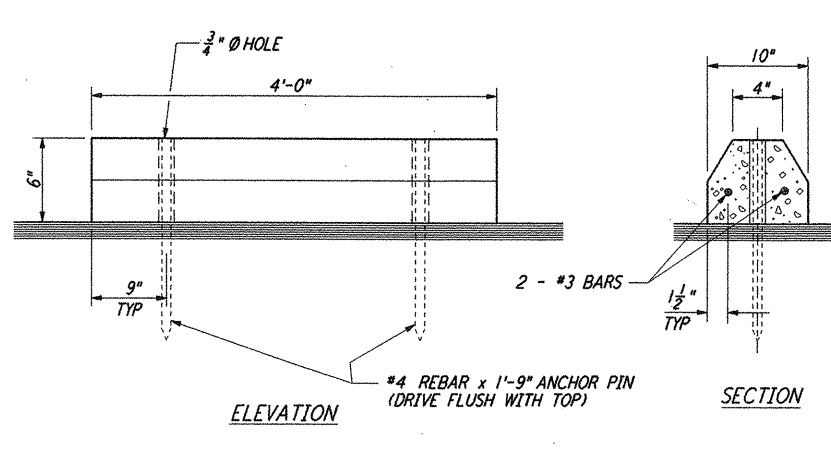
CONCRETE WALKWAY 1 REF: WA-C-051, WA-C-505, WA-C-006, WA-C-021, WA-C-025, WA-C-041, WA-C-045. NOT TO SCALE.



CONCRETE STOOP 2 REF: WA-C-051, WA-C-505, WA-C-021, WA-C-041, WA-C-045. NOT TO SCALE.

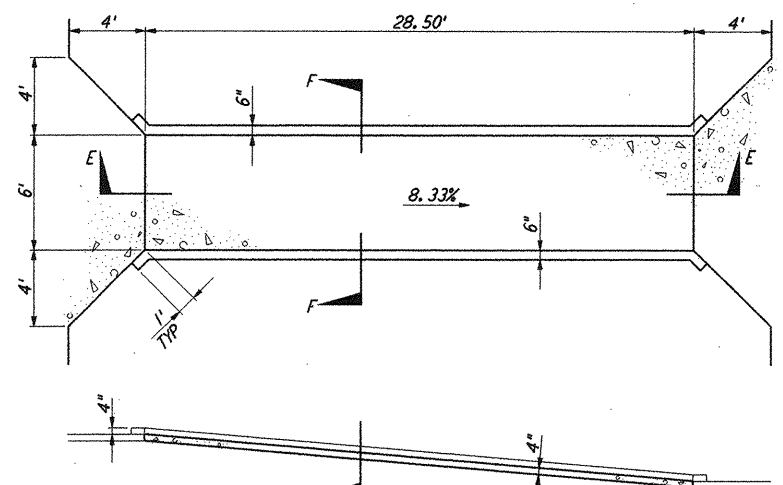


CONCRETE PAVEMENT 3 REF: WA-C-051, WA-C-505, WA-C-006, WA-C-021, WA-C-025, WA-C-041, WA-C-045. NOT TO SCALE.

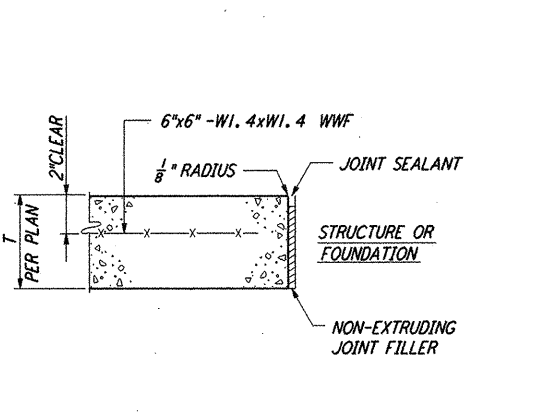


CONCRETE PARKING BUMPER 4 REF: WA-C-051, WA-C-505, WA-C-006, WA-C-021, WA-C-025, WA-C-041, WA-C-045. NOT TO SCALE.

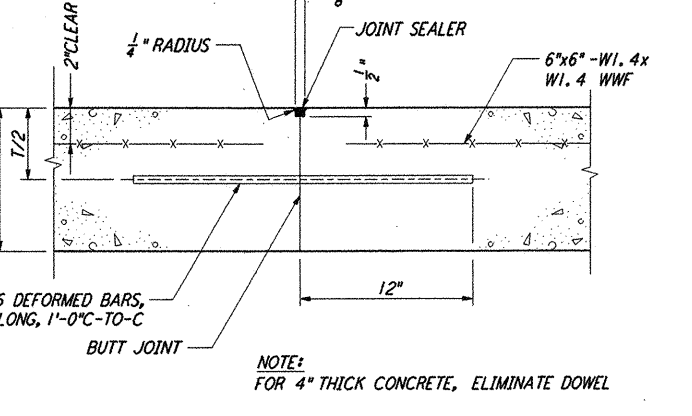
NOTES:
 1. SEE SHEET WA-C-002 FOR GENERAL NOTES, LEGEND AND ABBREVIATIONS.



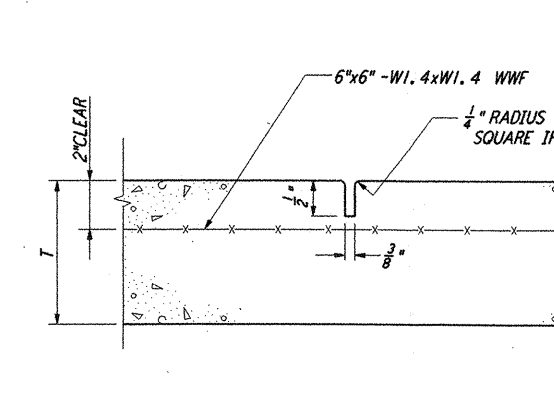
CONCRETE RAMP 9 REF: WA-C-051, WA-C-505, WA-C-006. NOT TO SCALE.



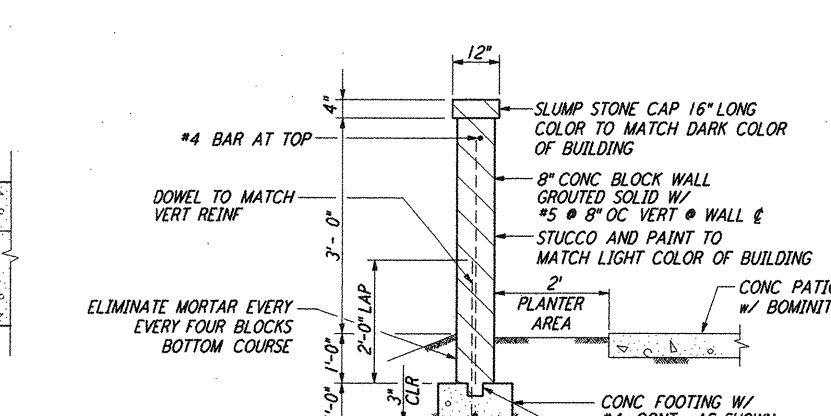
EXPANSION JOINT (EJ) 5 REF: WA-C-051, WA-C-505, WA-C-006, WA-C-021, WA-C-025, WA-C-041, WA-C-045. NOT TO SCALE.



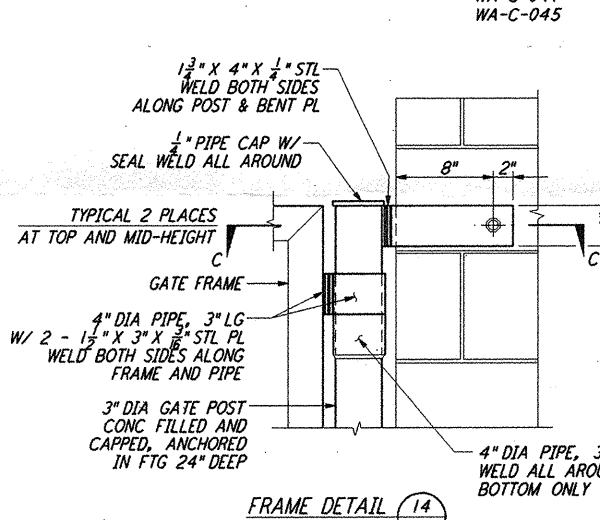
CONSTRUCTION JOINT (CJ) 6 REF: WA-C-051, WA-C-505, WA-C-006, WA-C-021, WA-C-025, WA-C-041, WA-C-045. NOT TO SCALE.



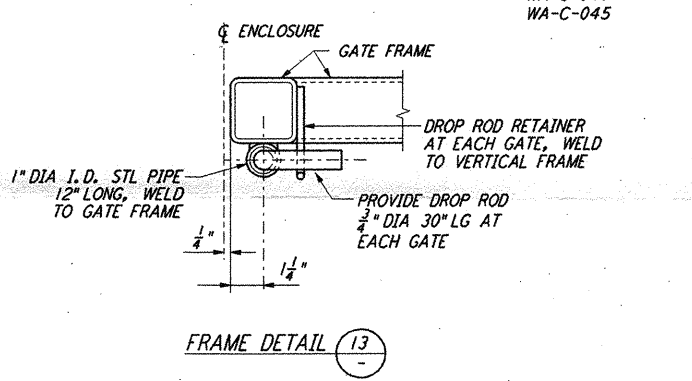
CONTRACTION JOINT (CO) 7 REF: WA-C-051, WA-C-505, WA-C-006, WA-C-021, WA-C-025, WA-C-041, WA-C-045. NOT TO SCALE.



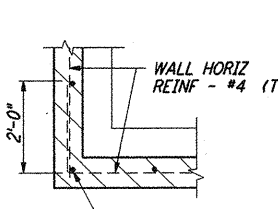
PATIO WALL 8 REF: WA-C-051, WA-C-505, WA-C-006. NOT TO SCALE.



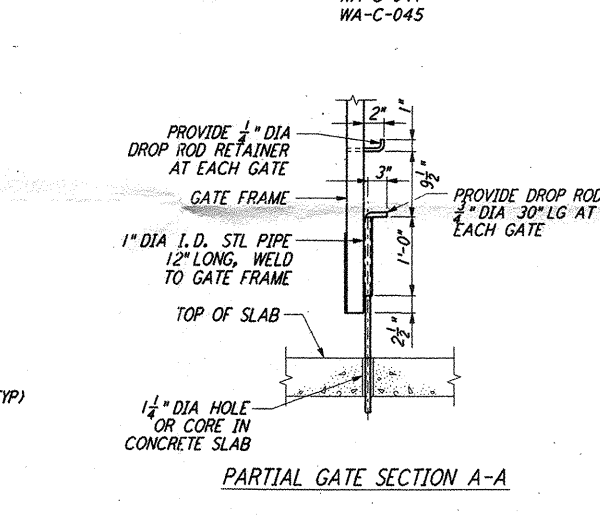
FRAME DETAIL 13



FRAME DETAIL 14



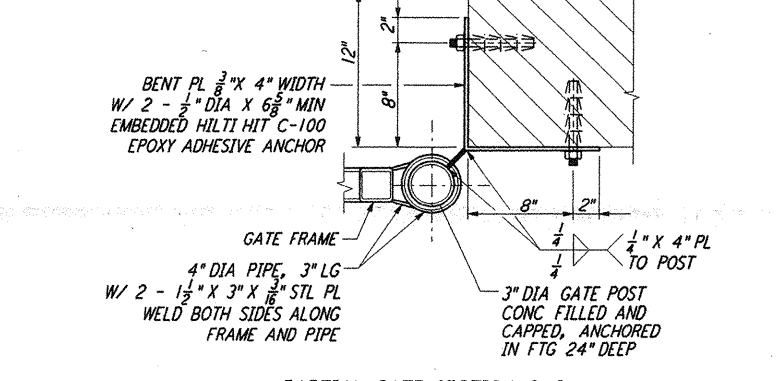
PARTIAL WALL PLAN 12



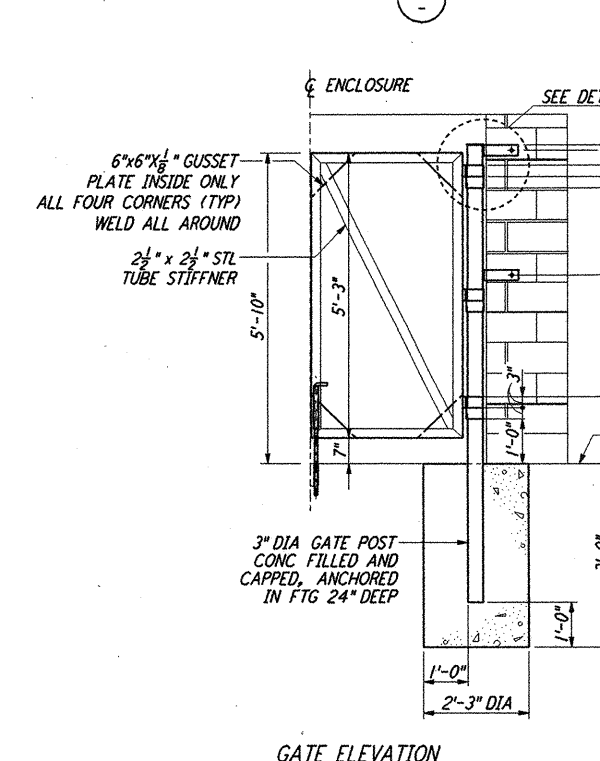
PARTIAL GATE SECTION A-A

BLOCK WALL ENCLOSURE DIMENSIONS					
	4'	6'	8'	10'	12'
HAZARDOUS WASTE STORAGE	30"	28'-4"	10'-8 1/2"	15'	13'-8"
TRASH ENCLOSURE	18"	16'-4"	4'-8 1/2"	10'	8'-8"

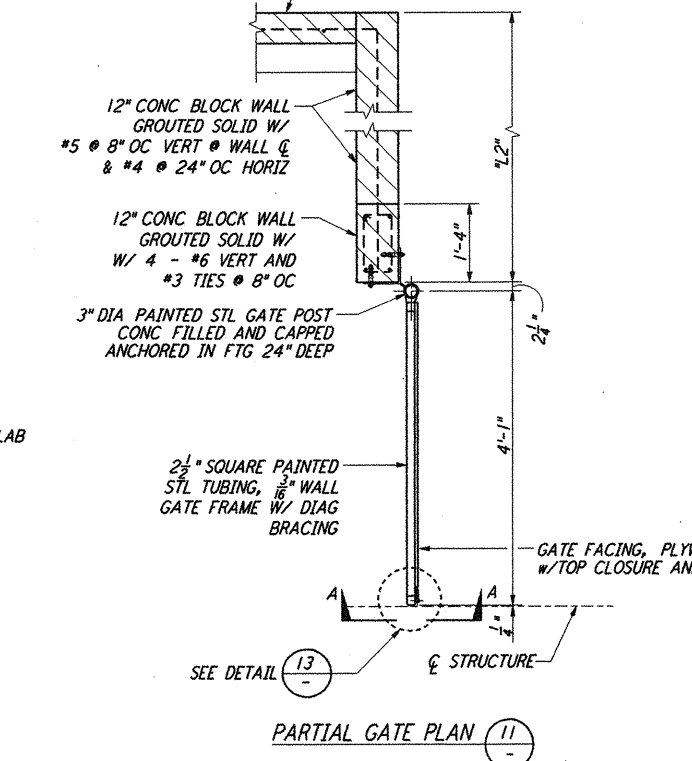
NOTE:
 1. FOR SLAB FINISHED GRADES, SEE GRADING PLAN.



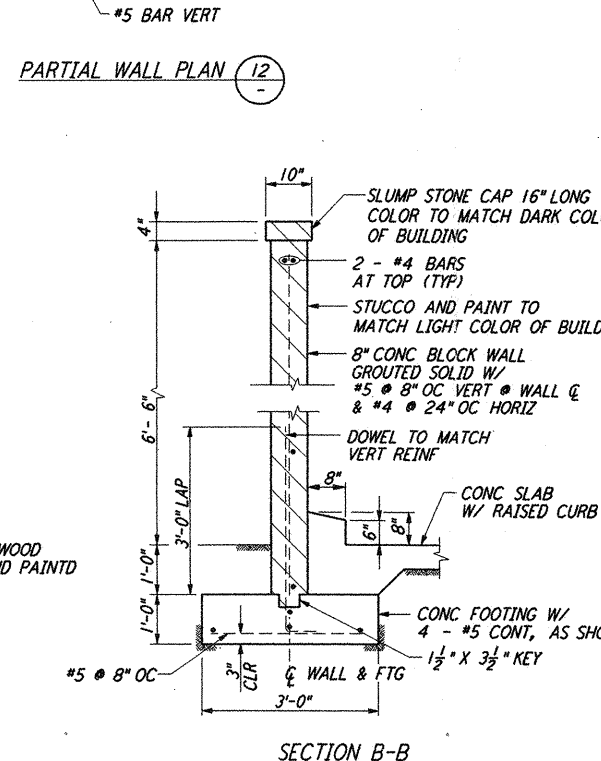
PARTIAL GATE SECTION C-C



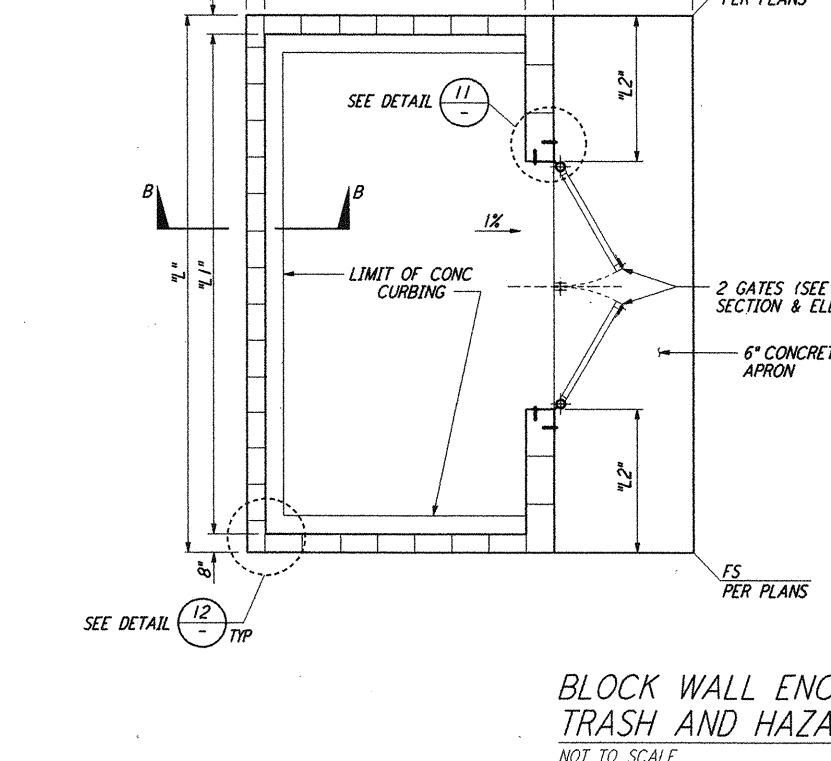
GATE ELEVATION



PARTIAL GATE PLAN 11



SECTION B-B



FOUNDATION PLAN

BLOCK WALL ENCLOSURE FOR TRASH AND HAZARDOUS WASTE STORAGE 10 REF: WA-C-051, WA-C-505, WA-C-006. NOT TO SCALE.

LIGO-D960235-02-0

REVISIONS

NO.	DATE	BY	CHKD	ENGR	PROJ	DESCRIPTION
1	2-28-97	WRB	ML	JB	MDW	ISSUED FOR AS-BUILT
2	5/15/98	WRB	ML	JB	MDW	REVISED DETAIL 1 CALLOUTS

FOR CONSTRUCTION

DRAWN	WRB	9/28/95
CHECKED	ML	7/9/96
ENGINEER	JB	7/9/96
PROJ	MDW	7/9/96

AS-BUILT DRAWINGS

PARSONS
 100 WEST WALNUT STREET
 PASADENA, CALIFORNIA

LIGO
 CALIFORNIA INSTITUTE OF TECHNOLOGY
 MASSACHUSETTS INSTITUTE OF TECHNOLOGY

CIVIL SITESWORK DETAILS SHEET 1
WA-C-051

This document and the design it covers are the property of PARSONS. They are loaned only with the borrower's expressed written agreement that they will not be reproduced, copied, loaned, exhibited, or used in any other way, except by written consent from PARSONS to the borrower.