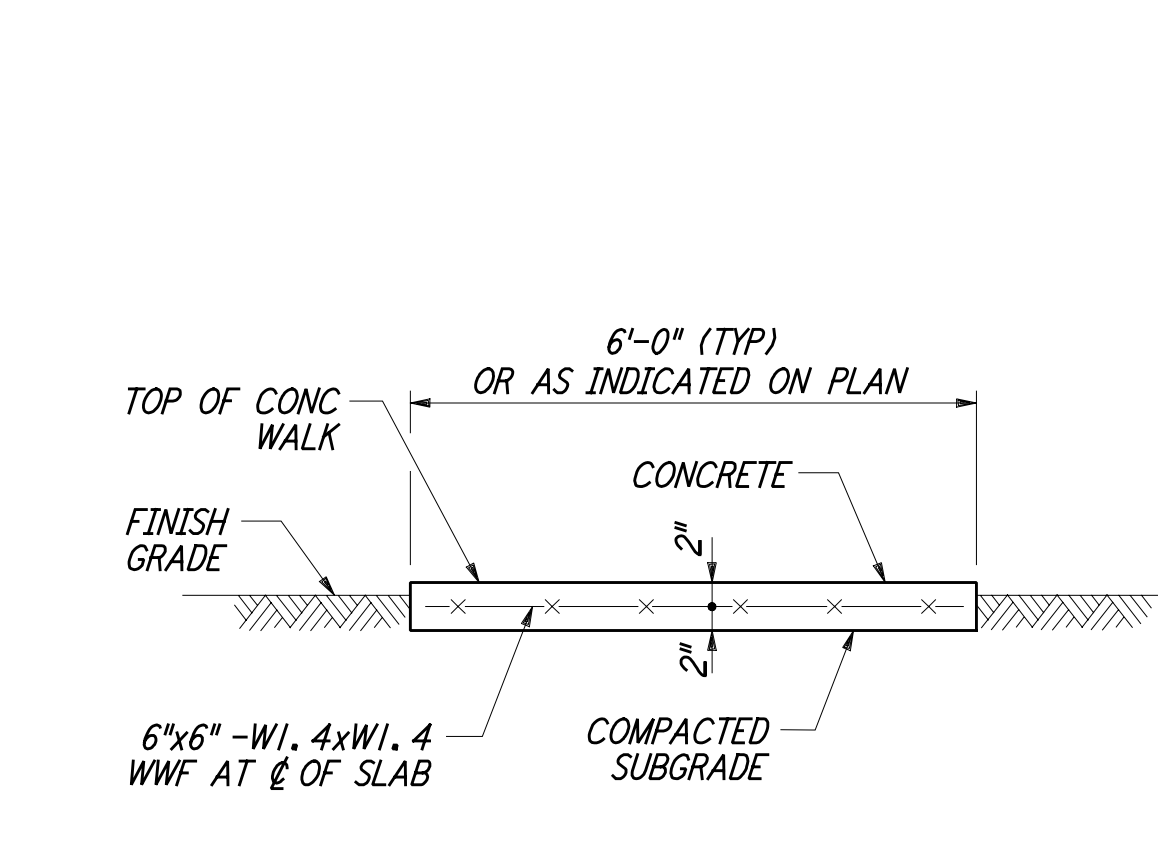
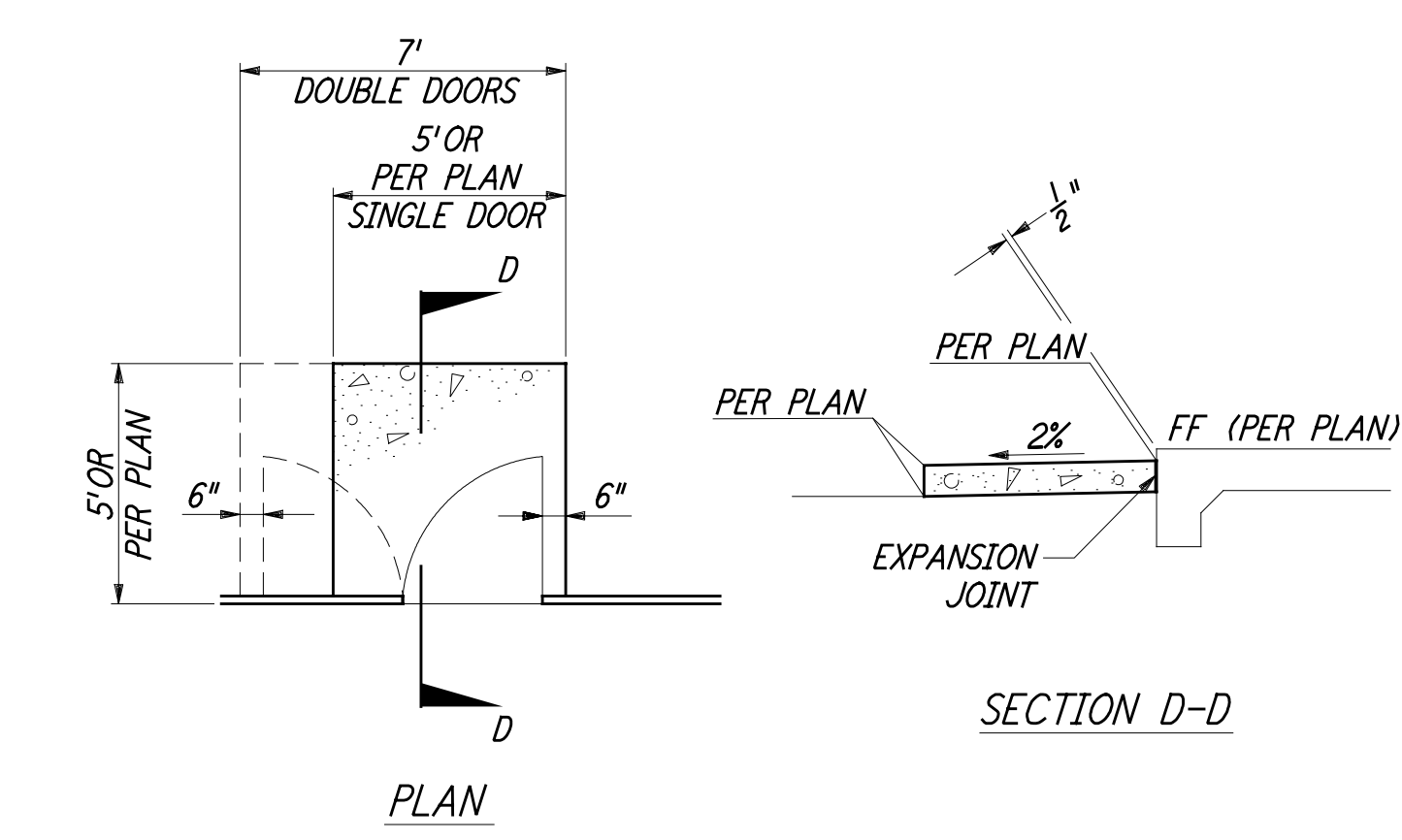


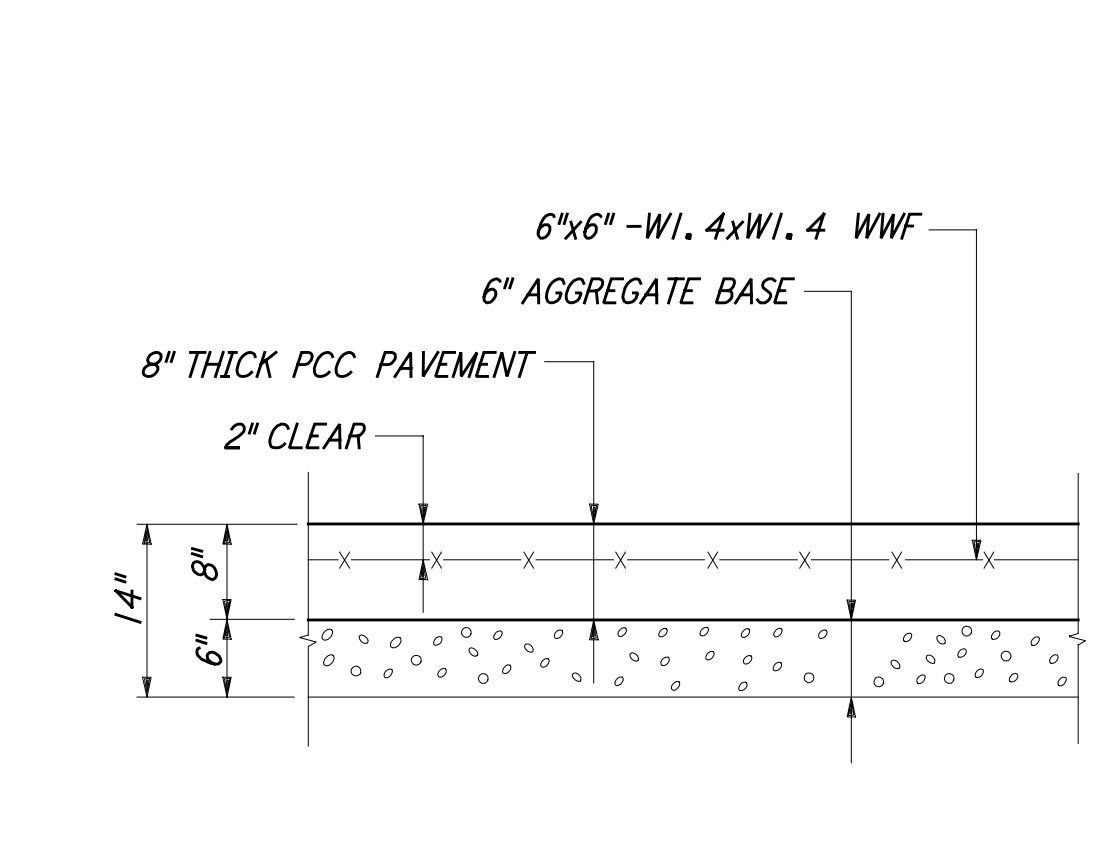
This document and the design it covers are the property of PARSONS. They are loaned only with the borrower's expressed written agreement that they will not be reproduced, copied, loaned, exhibited, or used in any other way, except by written consent from PARSONS to the borrower.



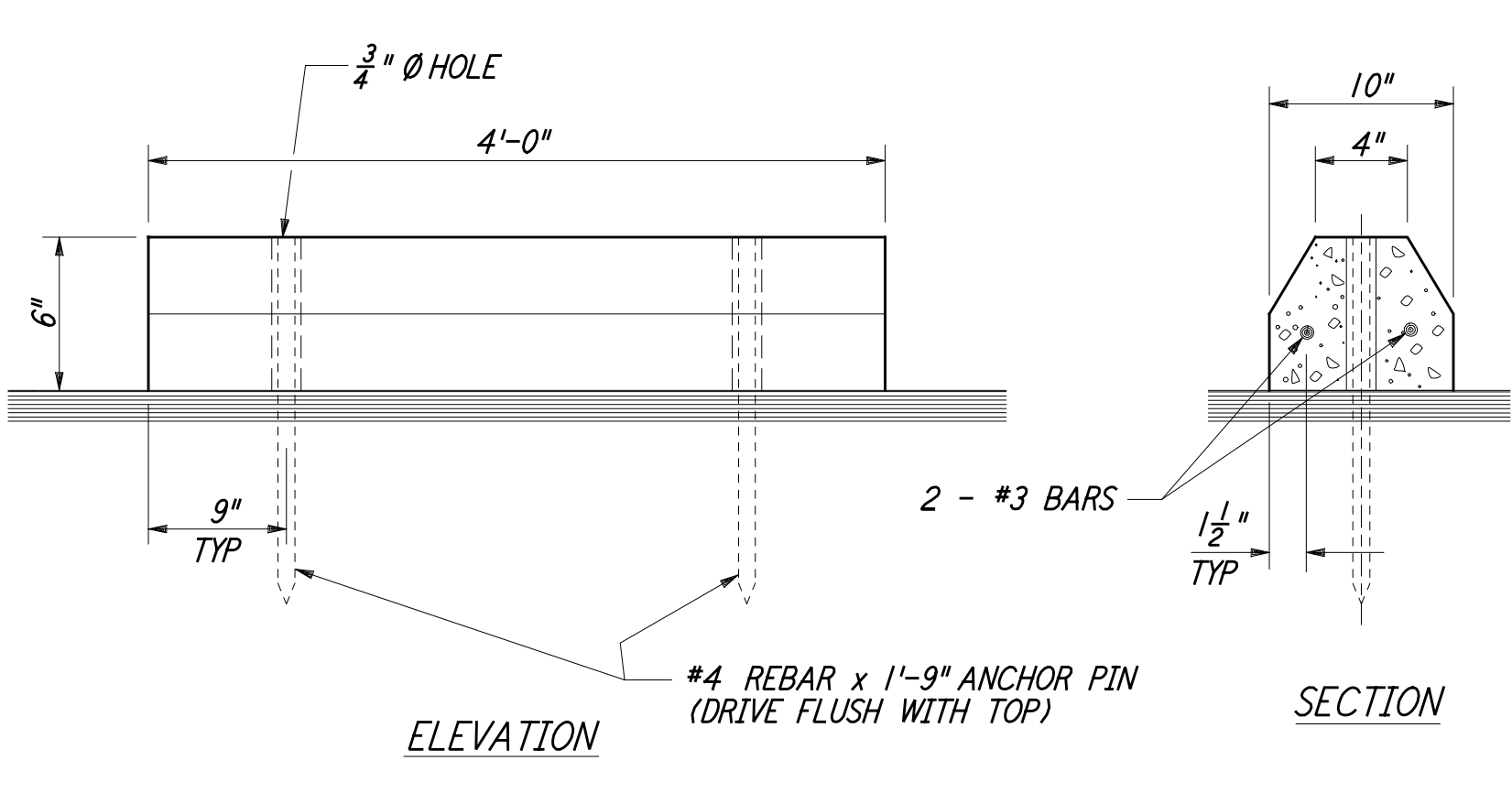
CONCRETE WALKWAY (1)
 NOT TO SCALE
 REF: WA-C-051, WA-C-505, WA-C-006, WA-C-021, WA-C-025, WA-C-041, WA-C-045



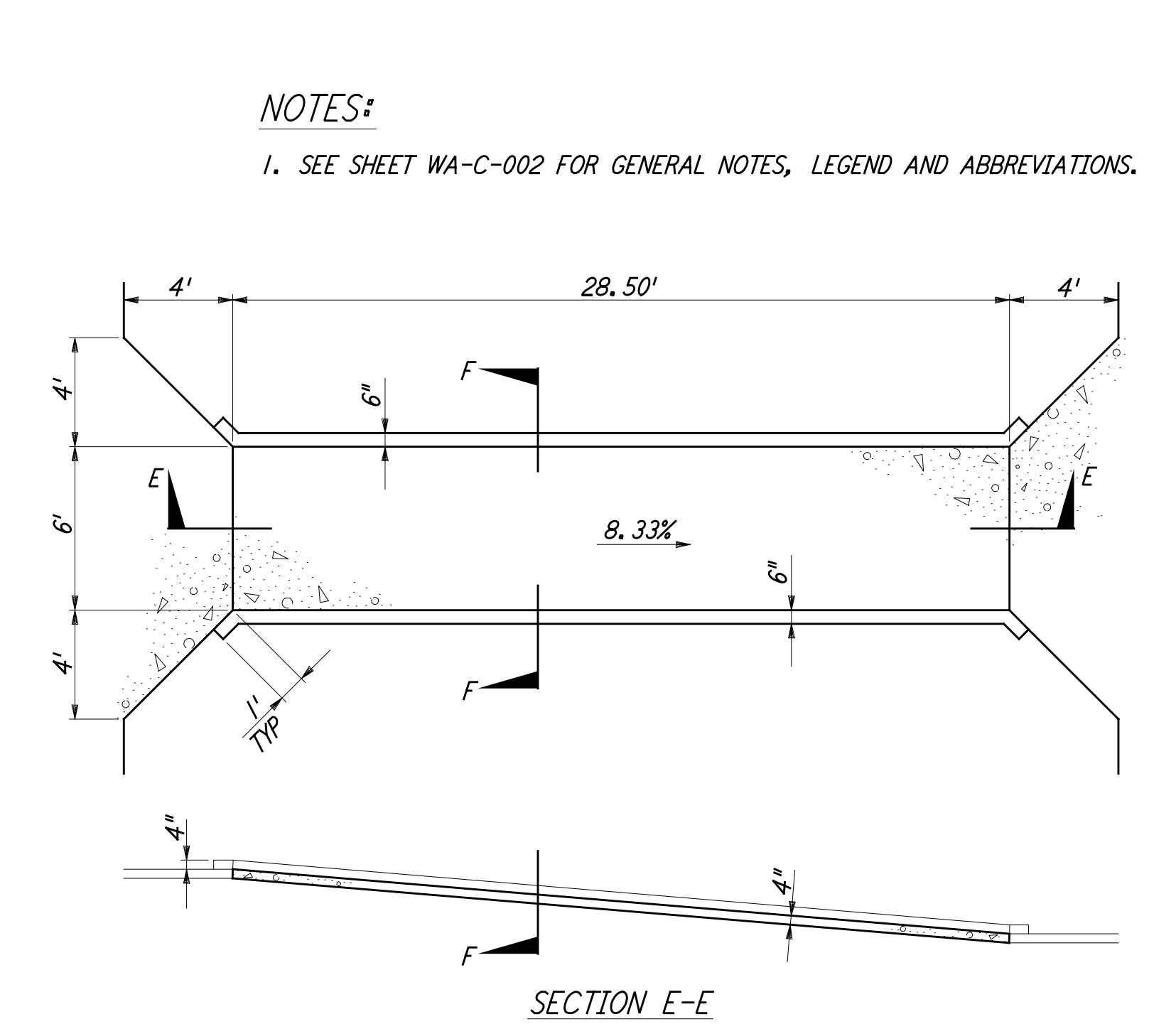
CONCRETE STOOP (2)
 NOT TO SCALE
 REF: WA-C-051, WA-C-505, WA-C-021, WA-C-025, WA-C-041, WA-C-045



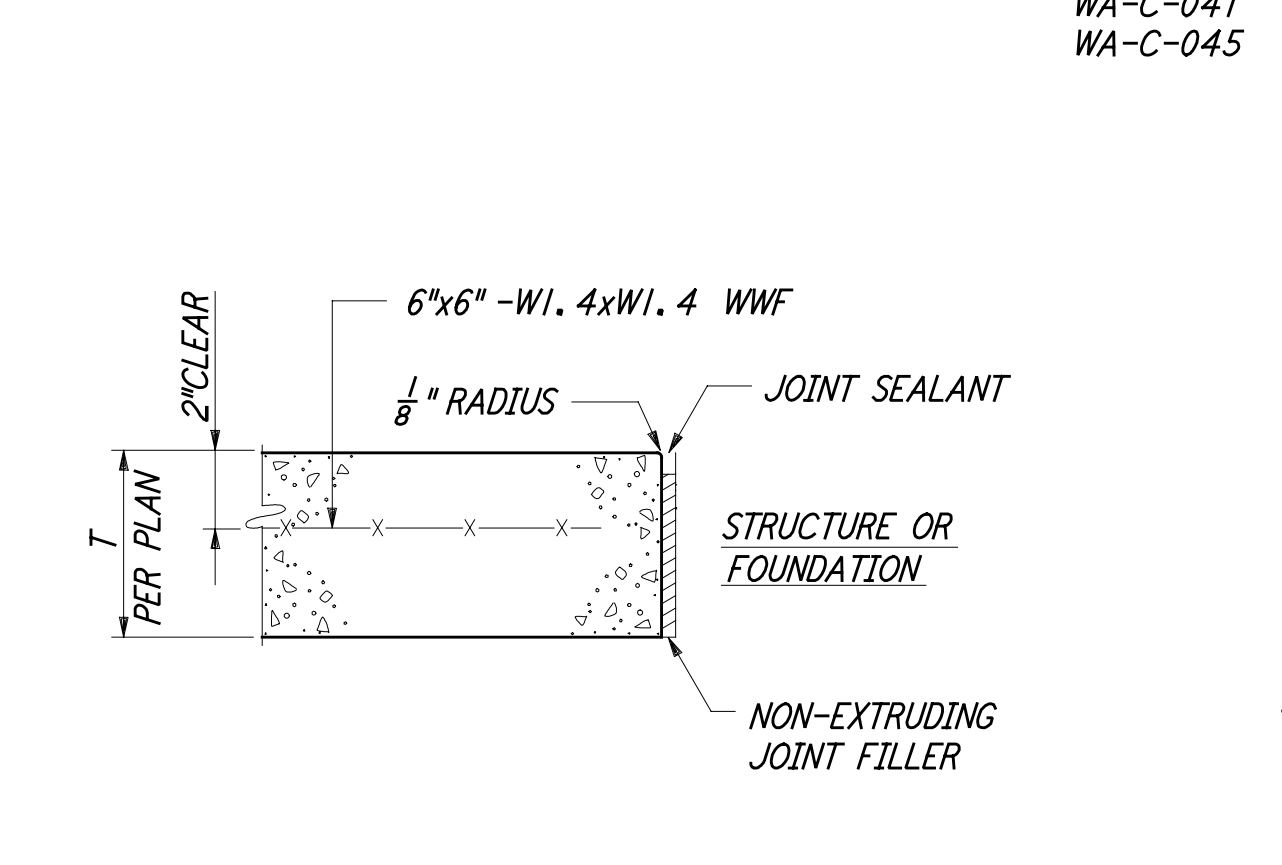
CONCRETE PAVEMENT (3)
 NOT TO SCALE
 REF: WA-C-051, WA-C-505, WA-C-006, WA-C-021, WA-C-025, WA-C-041, WA-C-045



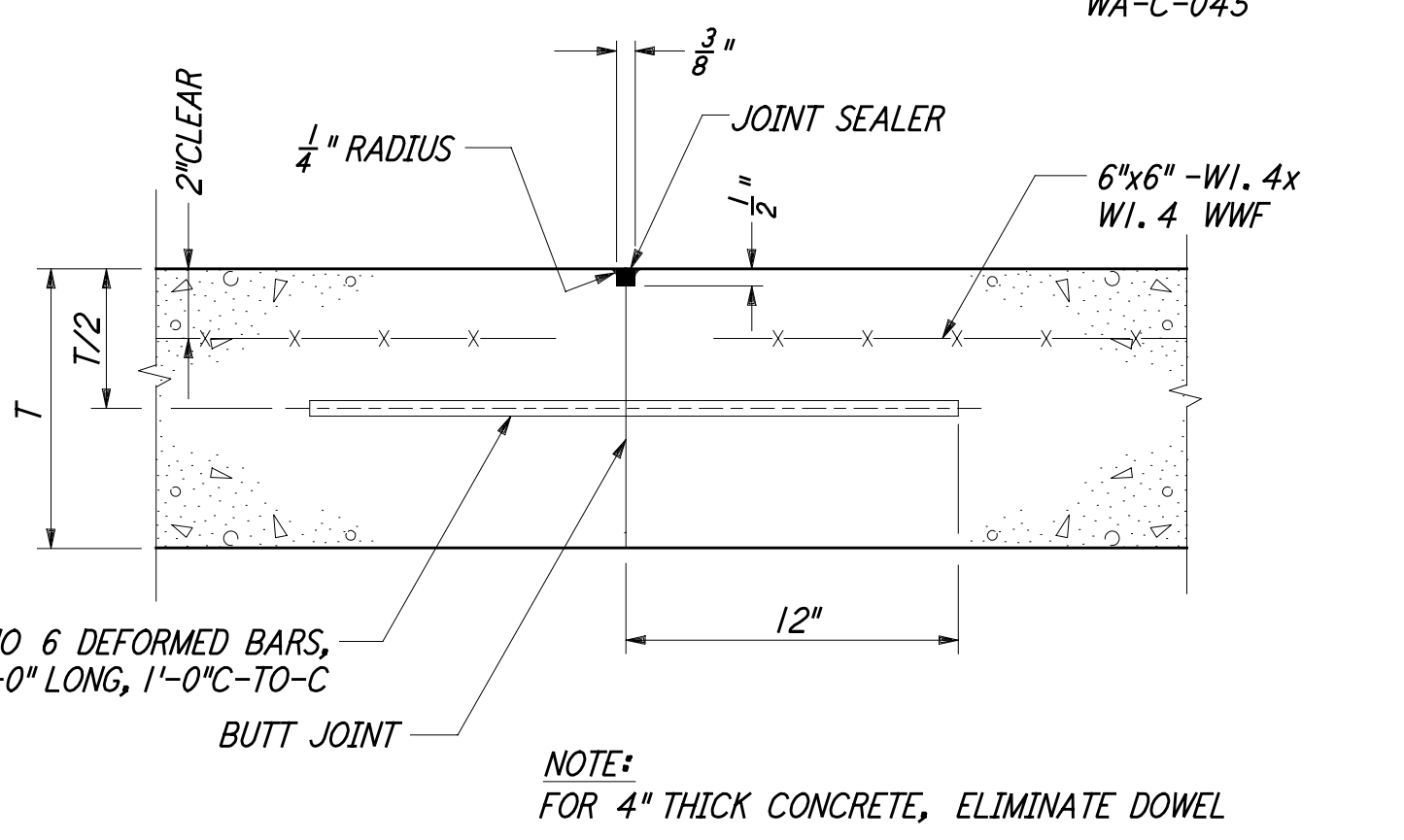
CONCRETE PARKING BUMPER (4)
 NOT TO SCALE
 REF: WA-C-051, WA-C-505, WA-C-006, WA-C-021, WA-C-025, WA-C-041, WA-C-045



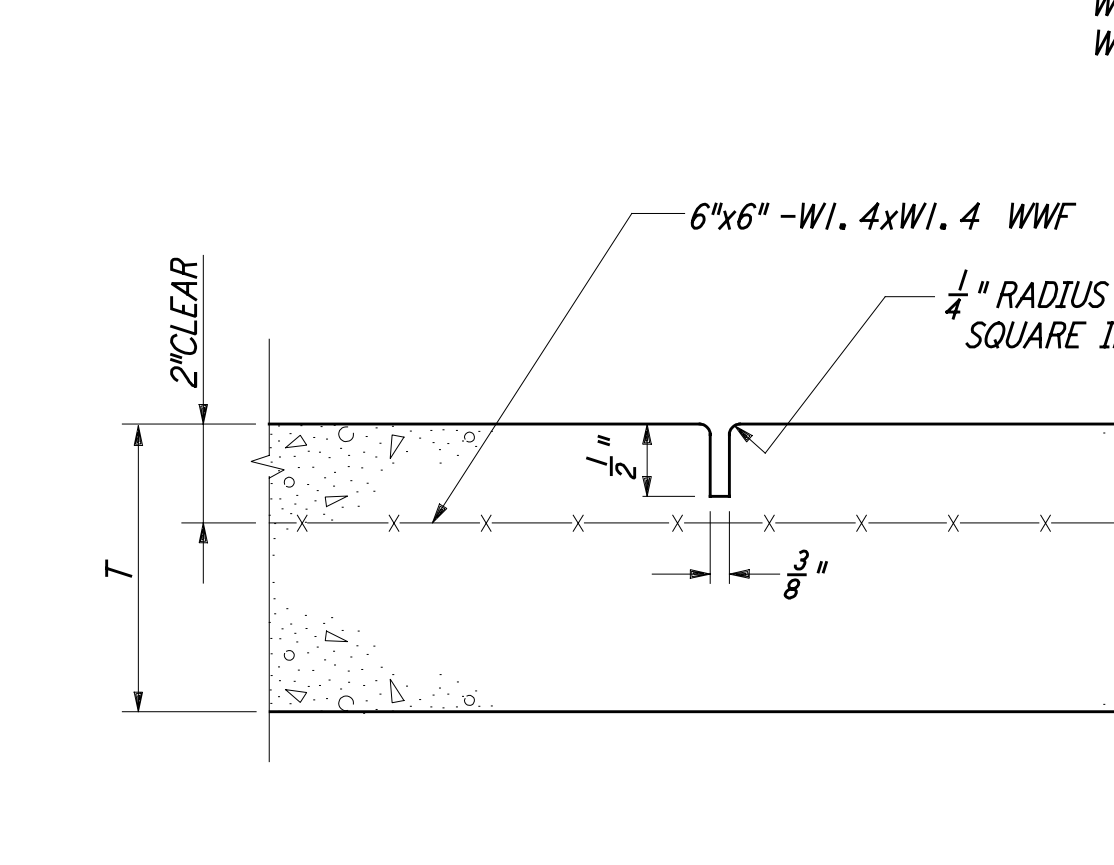
CONCRETE RAMP (9)
 NOT TO SCALE
 REF: WA-C-051, WA-C-505, WA-C-006



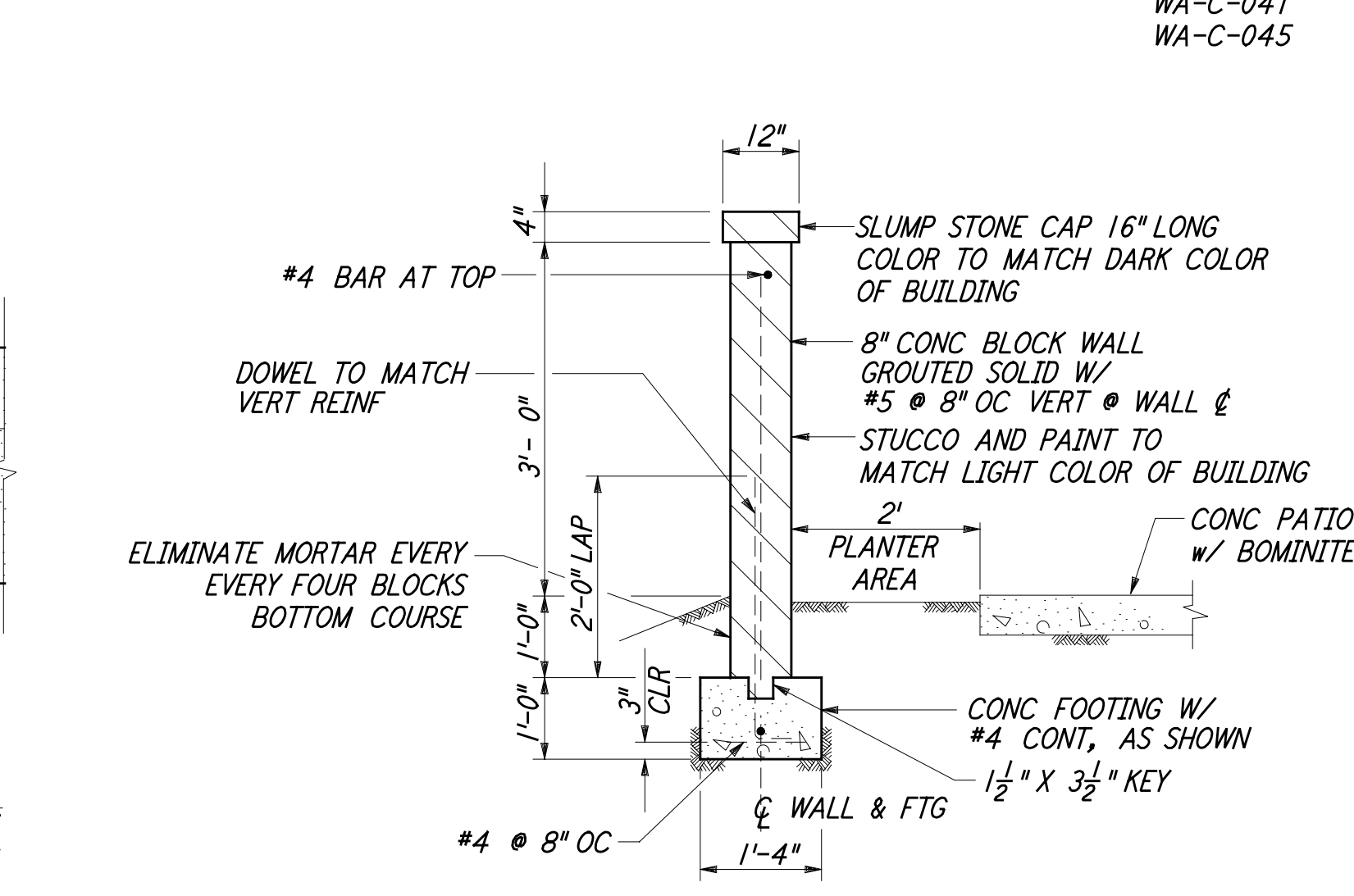
EXPANSION JOINT (EJ) (5)
 NOT TO SCALE
 REF: WA-C-051, WA-C-505, WA-C-006, WA-C-021, WA-C-025, WA-C-041, WA-C-045



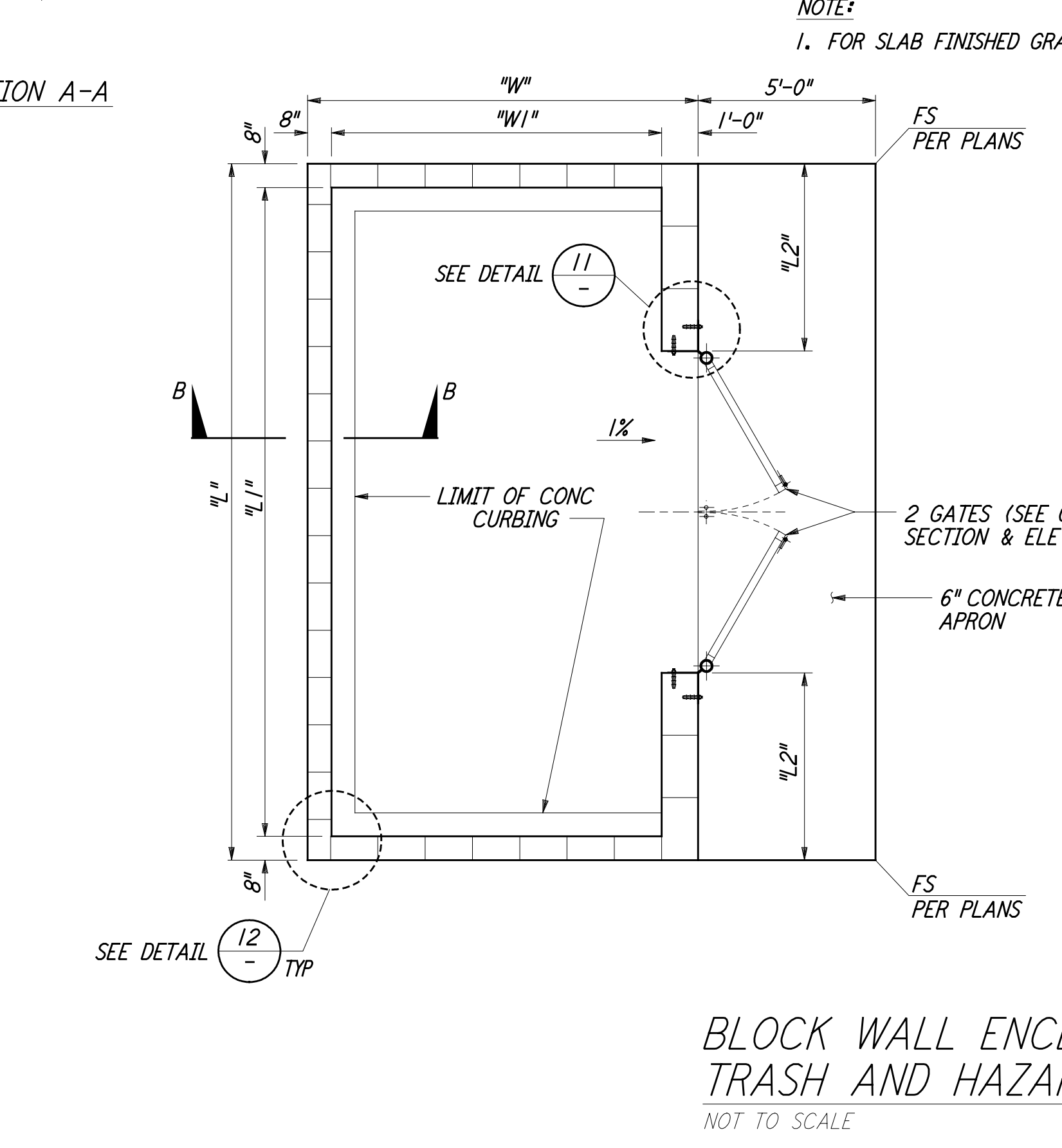
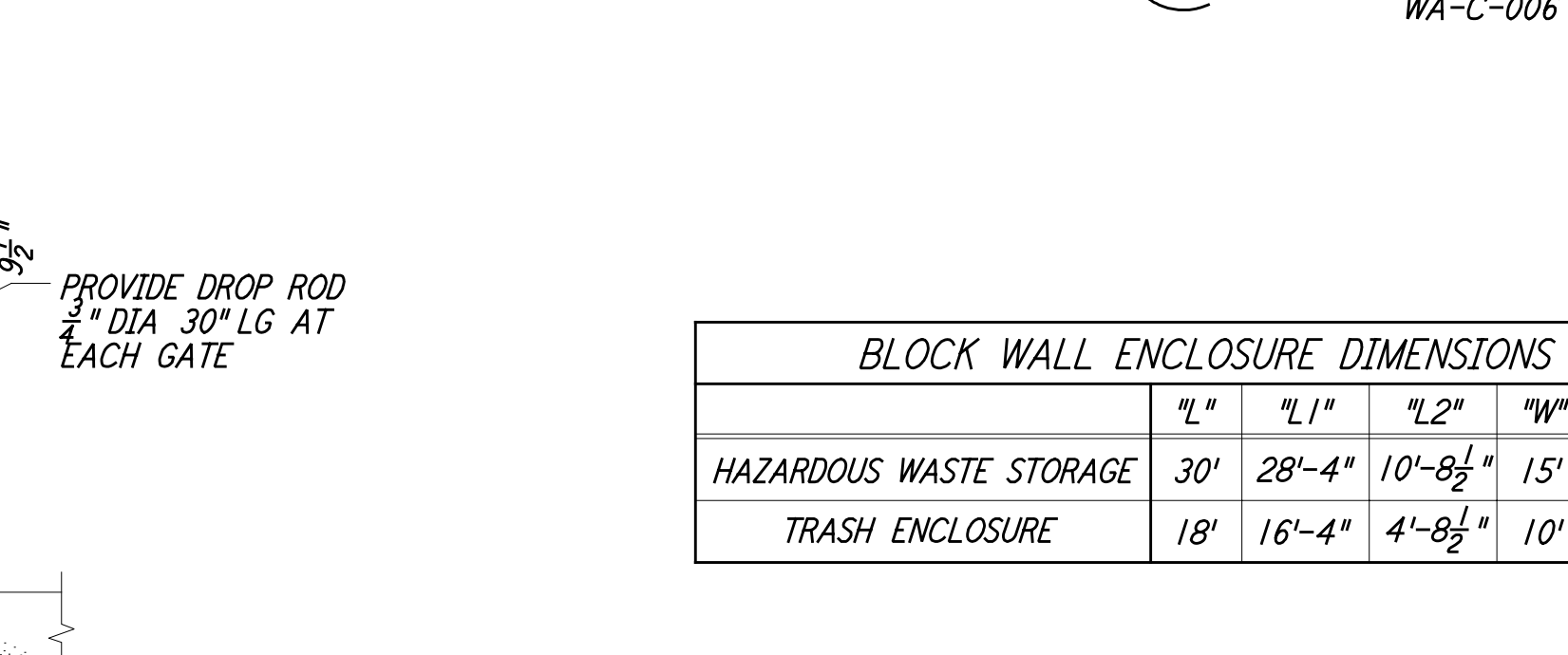
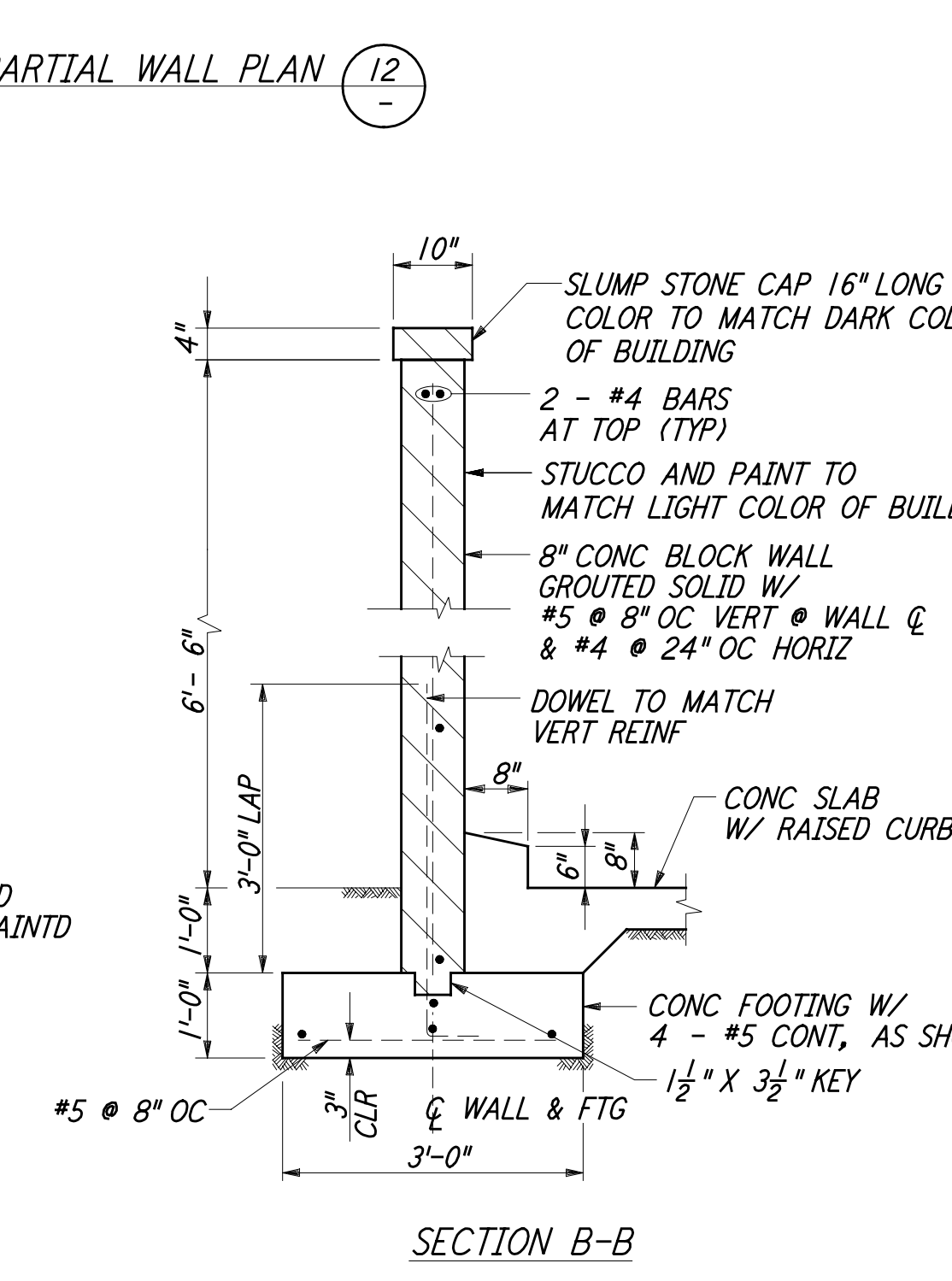
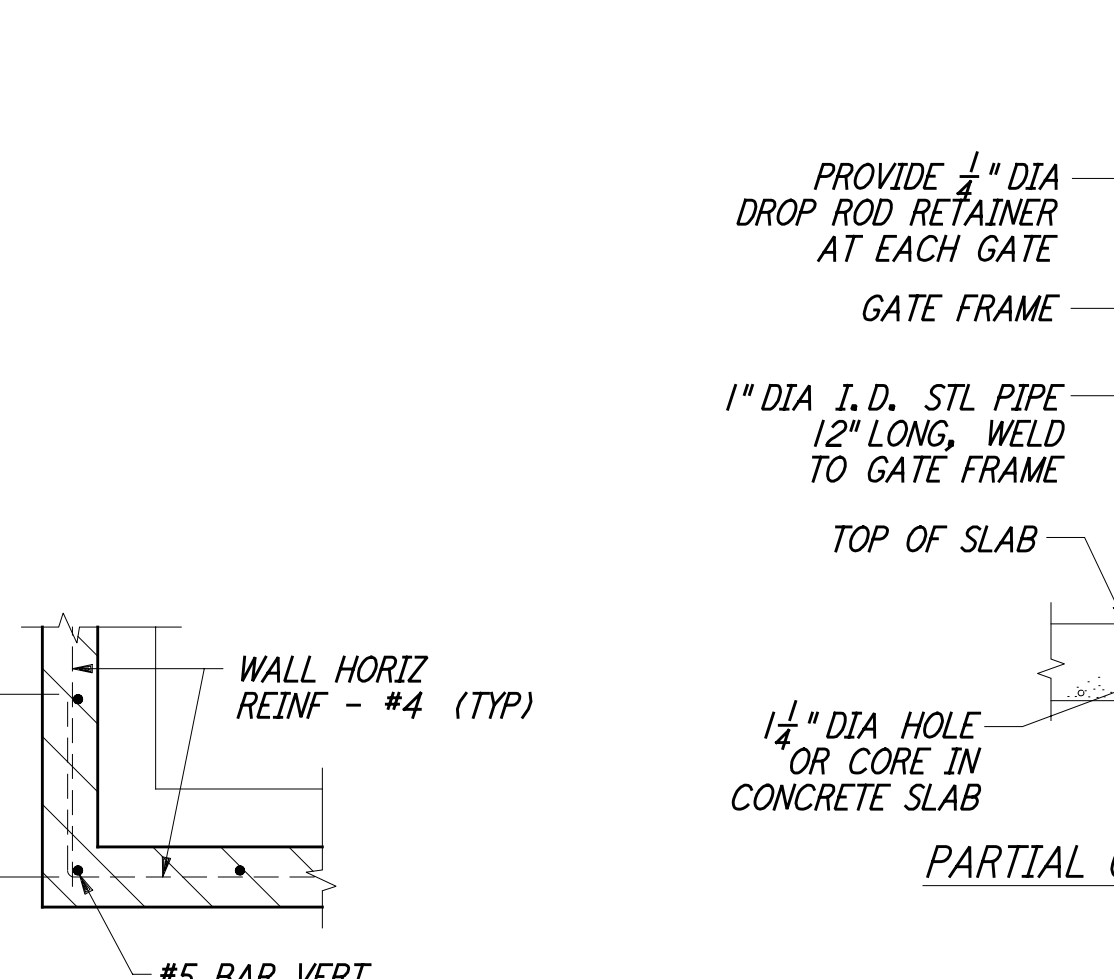
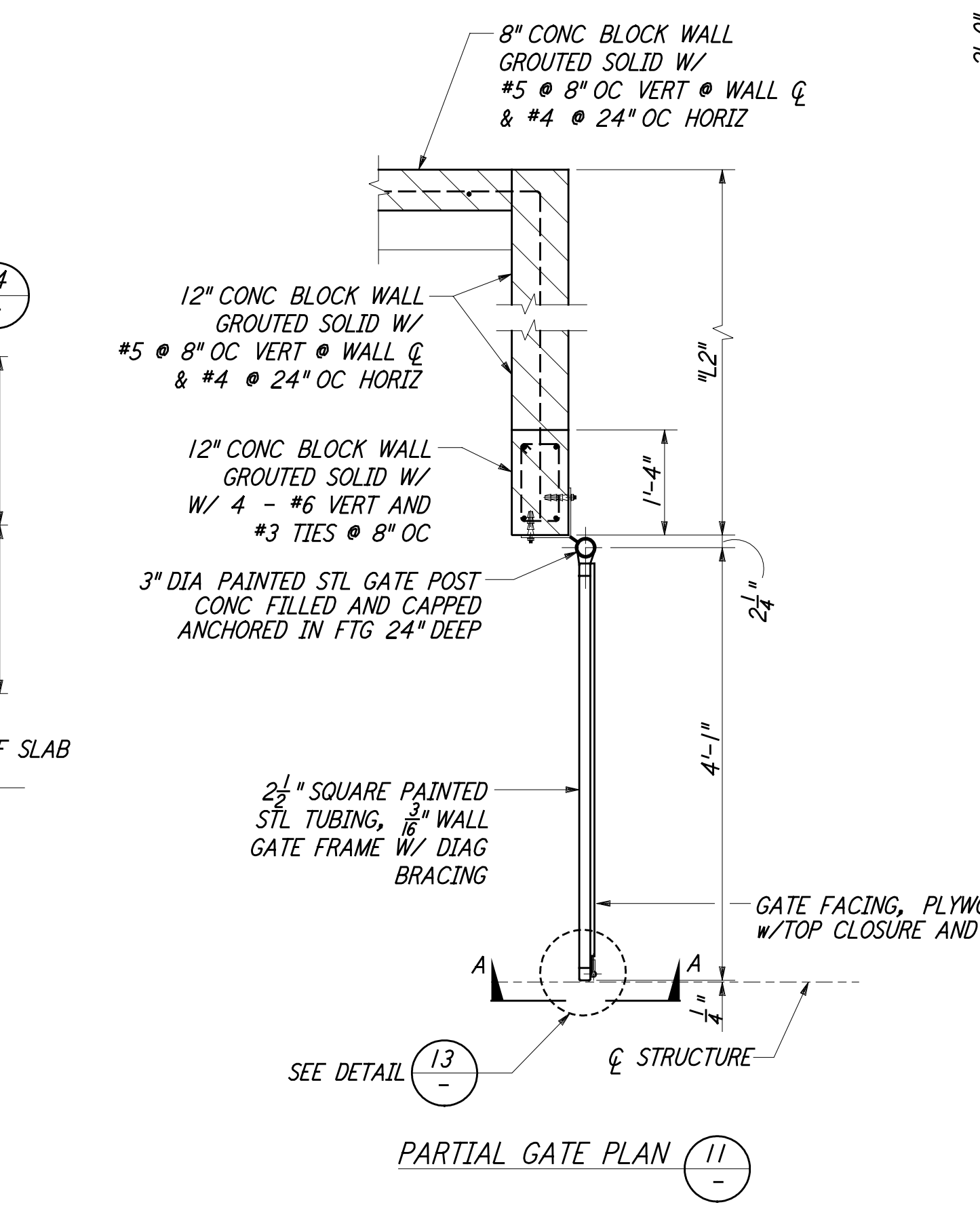
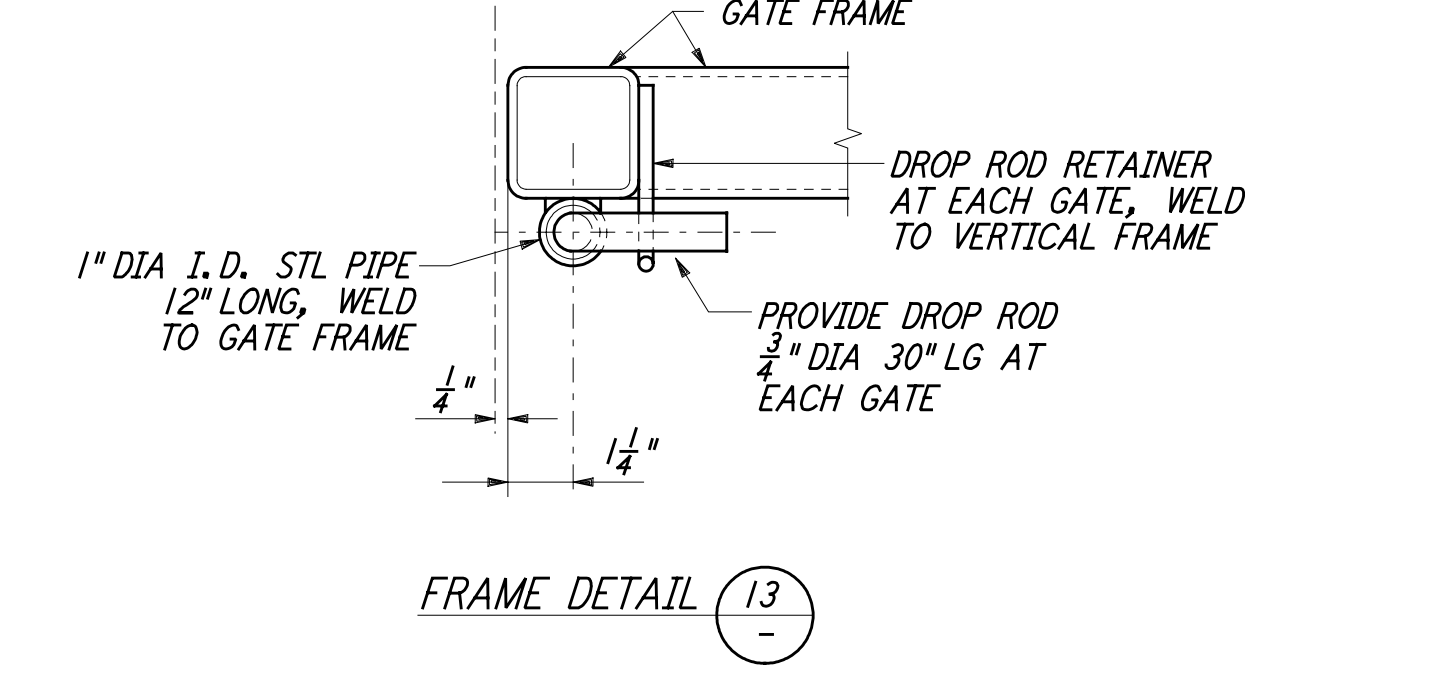
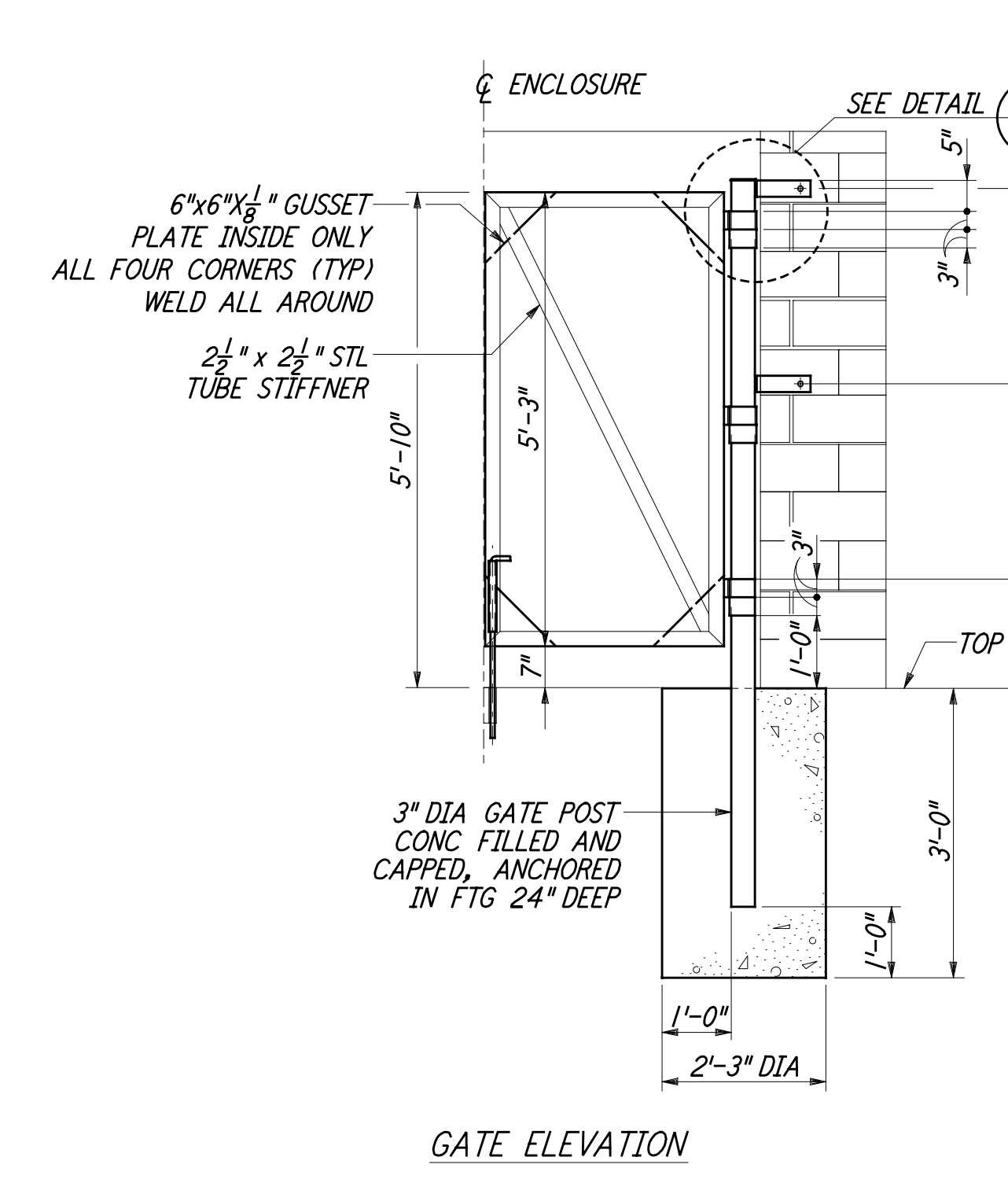
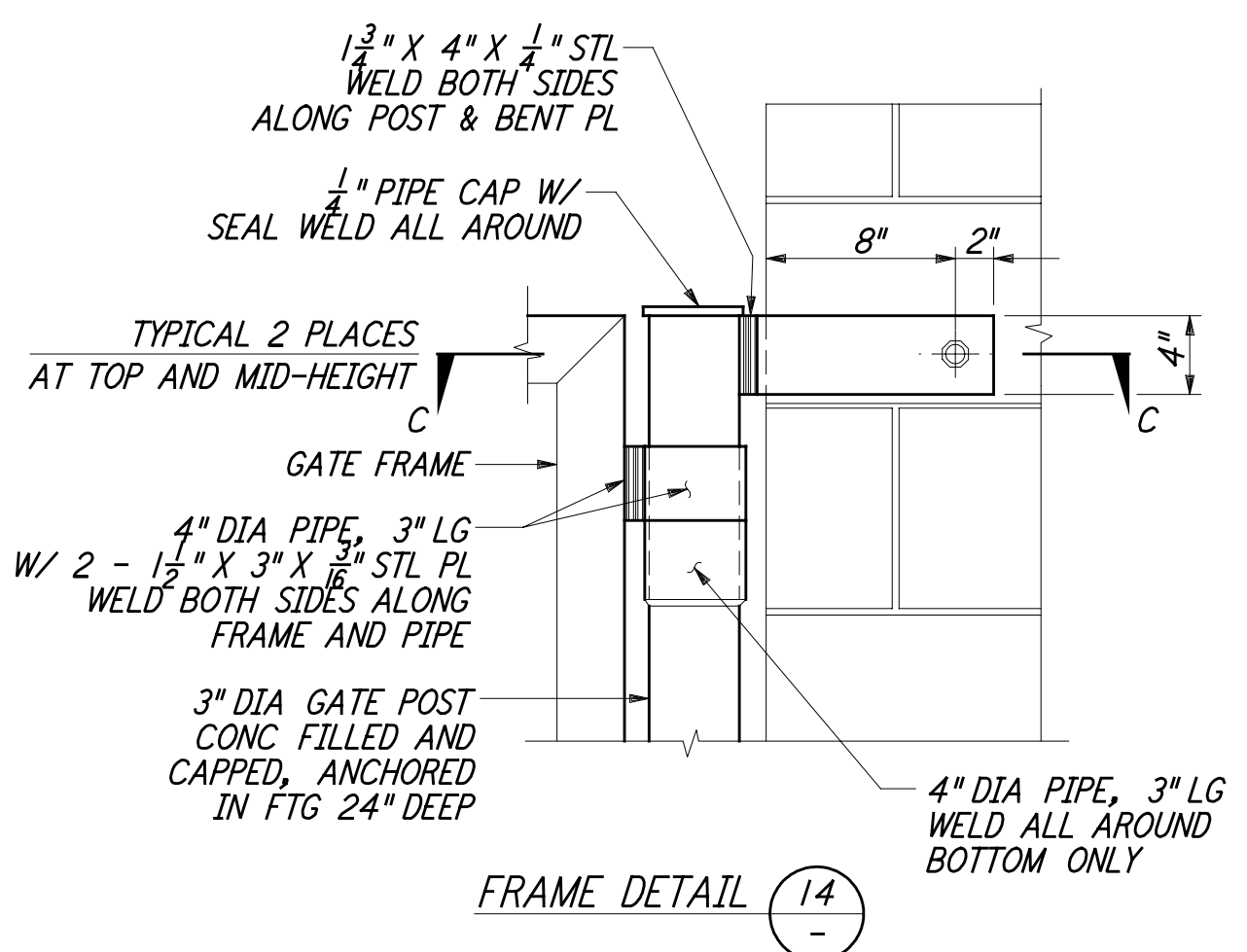
CONSTRUCTION JOINT (CJ) (6)
 NOT TO SCALE
 REF: WA-C-051, WA-C-505, WA-C-006, WA-C-021, WA-C-025, WA-C-041, WA-C-045



CONTRACTION JOINT (CO) (7)
 NOT TO SCALE
 REF: WA-C-051, WA-C-505, WA-C-006, WA-C-021, WA-C-025, WA-C-041, WA-C-045

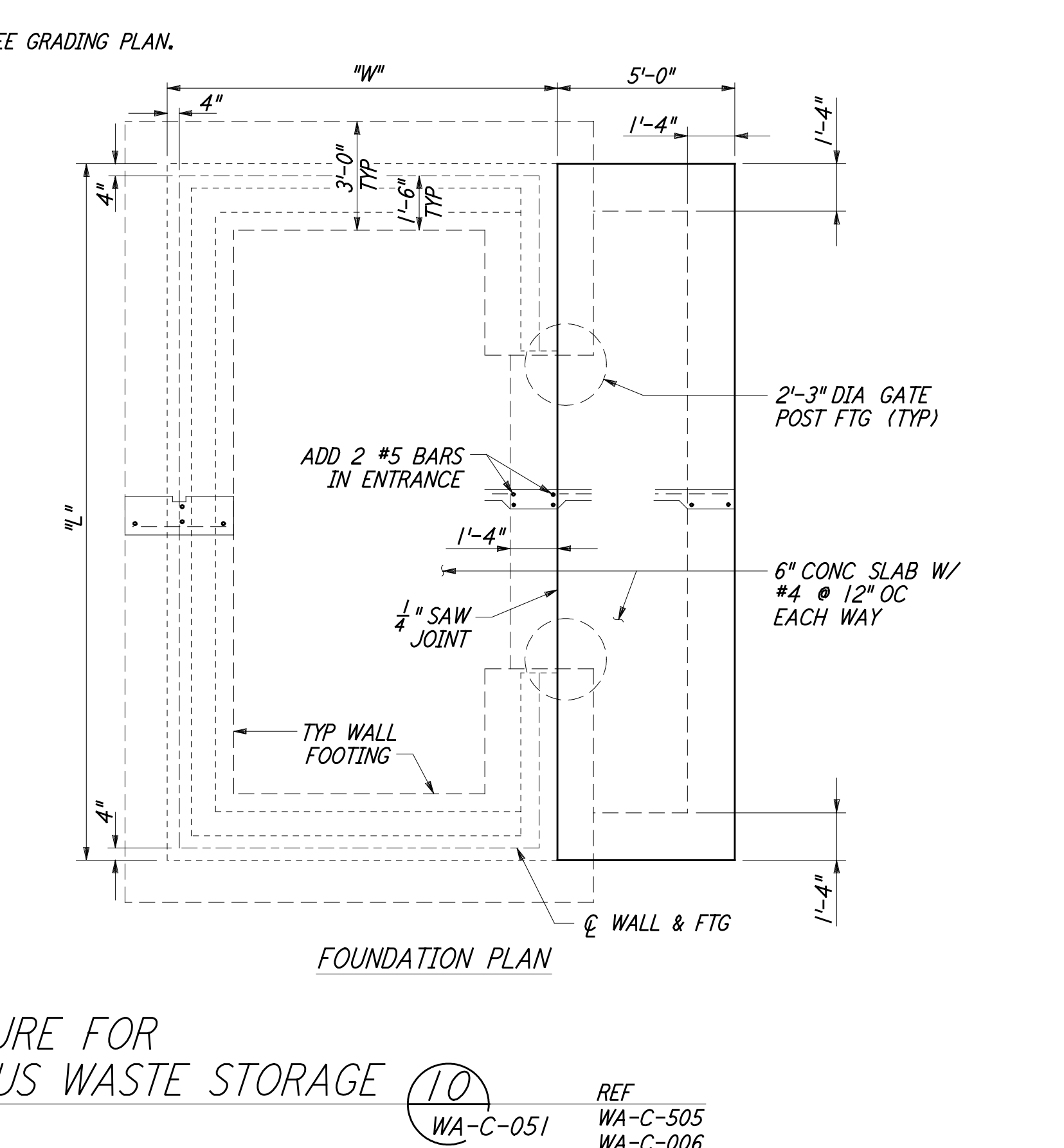
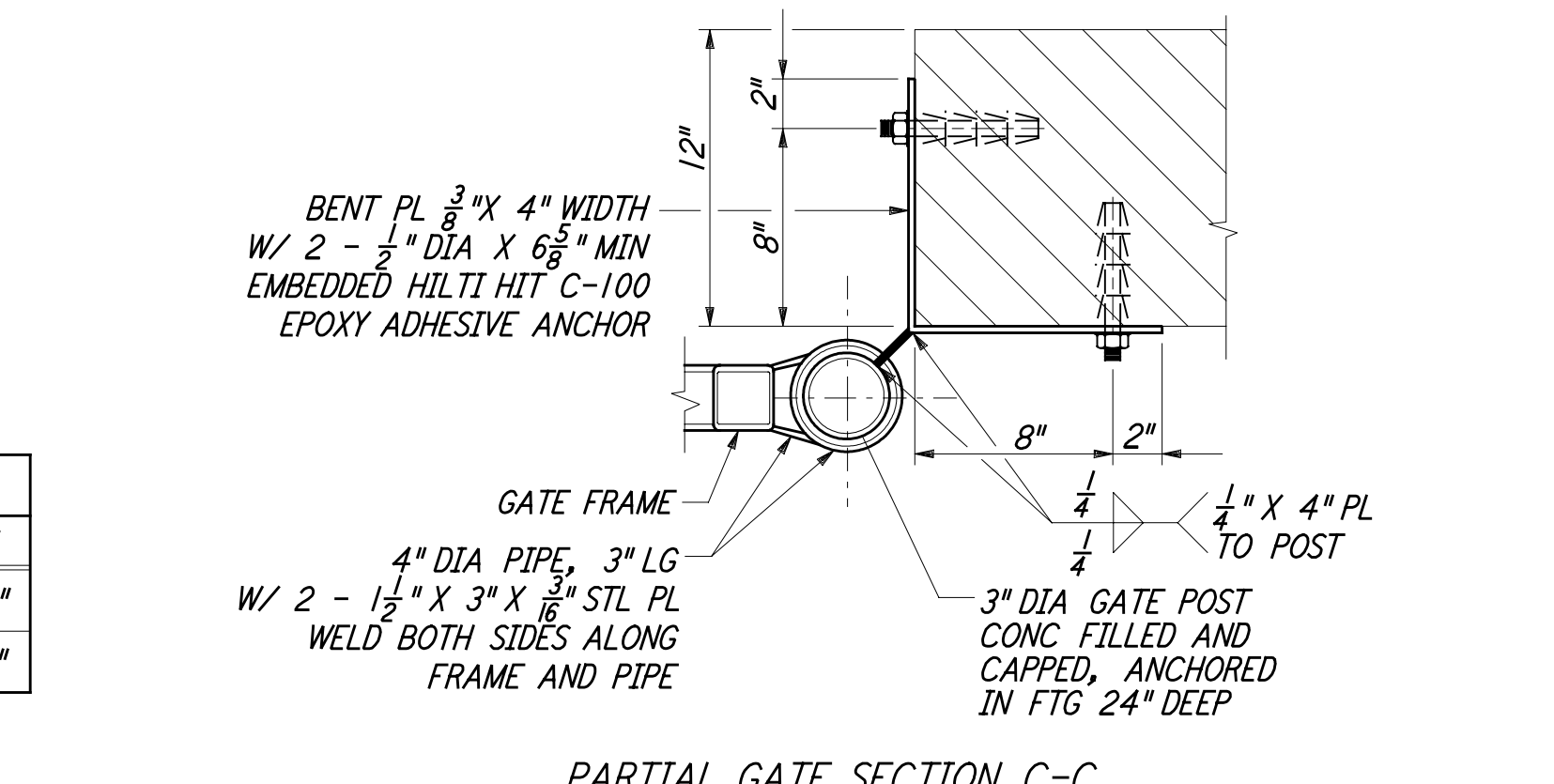


PATIO WALL (8)
 NOT TO SCALE
 REF: WA-C-051, WA-C-505, WA-C-006



BLOCK WALL ENCLOSURE FOR TRASH AND HAZARDOUS WASTE STORAGE (10)
 NOT TO SCALE
 REF: WA-C-051, WA-C-505, WA-C-006

BLOCK WALL ENCLOSURE DIMENSIONS				
	"L"	"L1"	"L2"	"W"
HAZARDOUS WASTE STORAGE	30'	28'-4"	10'-8 1/2"	15'
TRASH ENCLOSURE	18'	16'-4"	4'-8 1/2"	10'



FOUNDATION PLAN

NO.	DATE	BY	CHKD	ENGR	PROJ	DESCRIPTION
2	5/15/98	WRB	ML	JB	MDW	ISSUED FOR AS-BUILT
1	2-28-97	WRB	ML	JB	MDW	REVISED DETAIL 1 CALLOUTS

FOR CONSTRUCTION
 DRAWN WRB 9/28/95
 CHECKED ML 7/9/96
 ENGINEER JB 7/9/96
 PROJ MDW 7/9/96

AS-BUILT DRAWINGS

100 WEST WALNUT STREET
 PASADENA, CALIFORNIA

PARSONS

LIGO
 CALIFORNIA INSTITUTE OF TECHNOLOGY
 MASSACHUSETTS INSTITUTE OF TECHNOLOGY

LASER INTERFEROMETER
 GRAVITATIONAL-WAVE OBSERVATORY
 SITE NO. 1 - HANFORD, WASHINGTON

CIVIL
 SITESWORK DETAILS
 SHEET 1

SCALE: AS NOTED
 SHEET NUMBER: PPI50969
 PROJECT NUMBER: 8094

WA-C-051