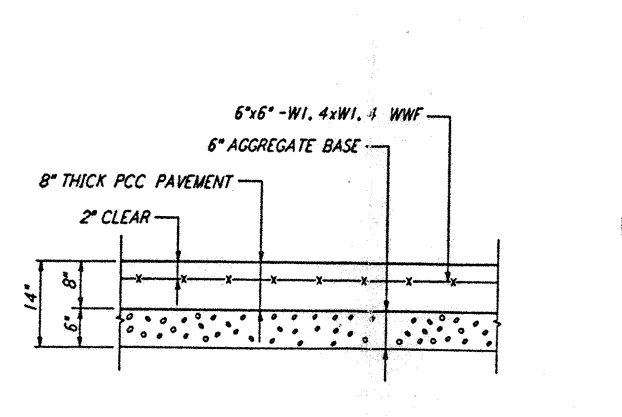
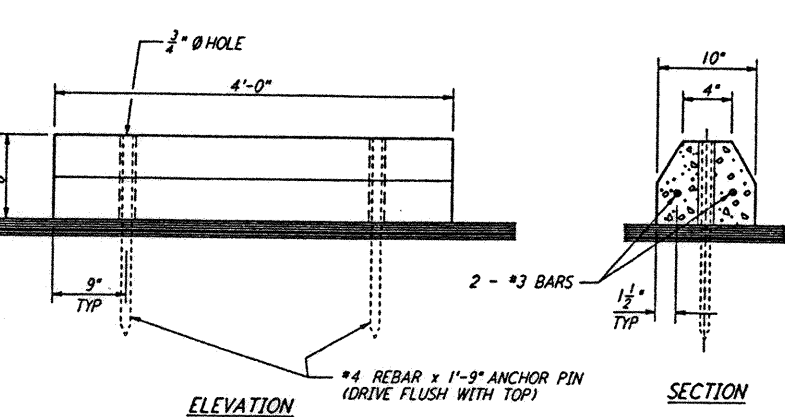


CONCRETE WALKWAY (1)
 NOT TO SCALE
 REF: WA-C-051, WA-C-005, WA-C-006, WA-C-021, WA-C-025, WA-C-041, WA-C-045, WA-C-505

CONCRETE STOOP (2)
 NOT TO SCALE
 REF: WA-C-051, WA-C-005, WA-C-006, WA-C-021, WA-C-025, WA-C-041, WA-C-045, WA-C-505

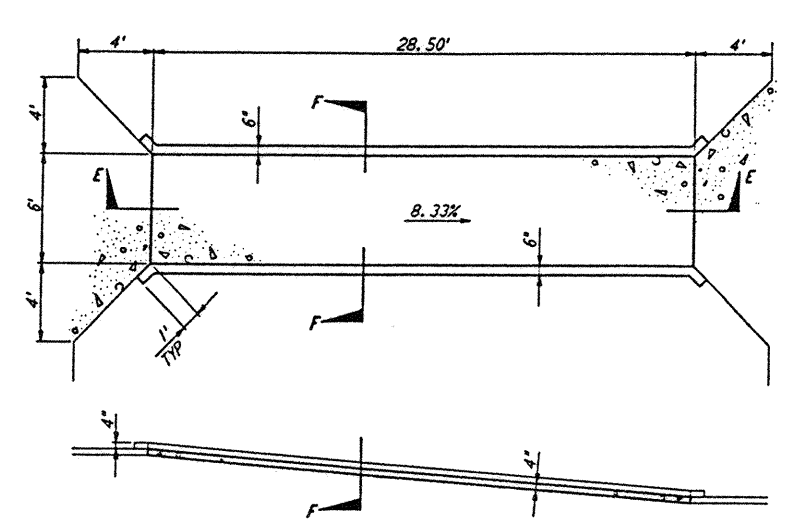


CONCRETE PAVEMENT (3)
 NOT TO SCALE
 REF: WA-C-051, WA-C-005, WA-C-006, WA-C-021, WA-C-025, WA-C-041, WA-C-045, WA-C-505

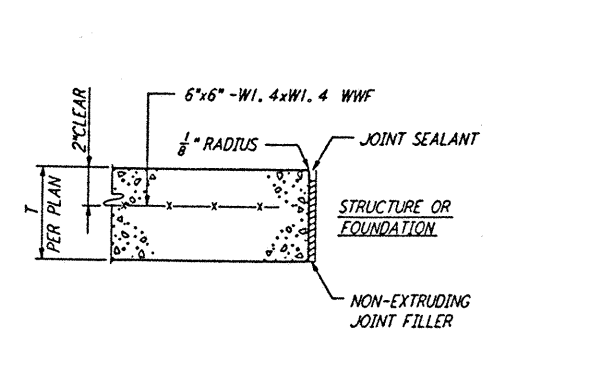


CONCRETE PARKING BUMPER (4)
 NOT TO SCALE
 REF: WA-C-051, WA-C-005, WA-C-006, WA-C-021, WA-C-025, WA-C-041, WA-C-045, WA-C-505

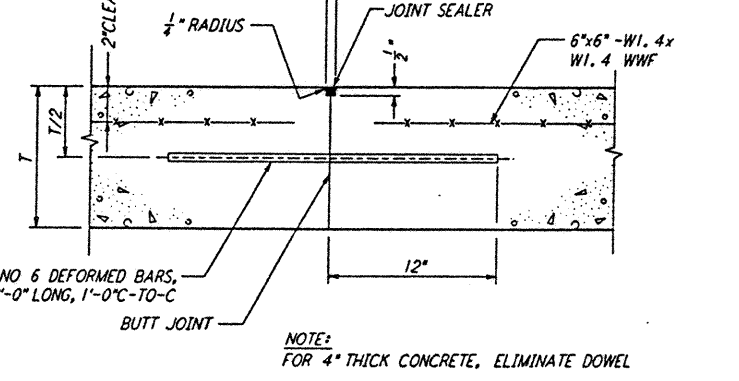
NOTES:
 1. SEE SHEET WA-C-002 FOR GENERAL NOTES, LEGEND AND ABBREVIATIONS.



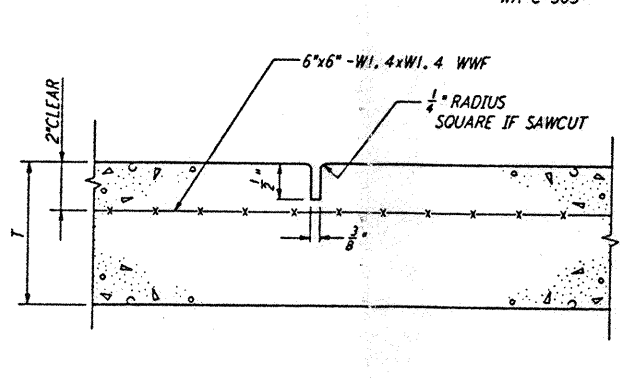
CONCRETE RAMP (9)
 NOT TO SCALE
 REF: WA-C-051, WA-C-005, WA-C-006, WA-C-505



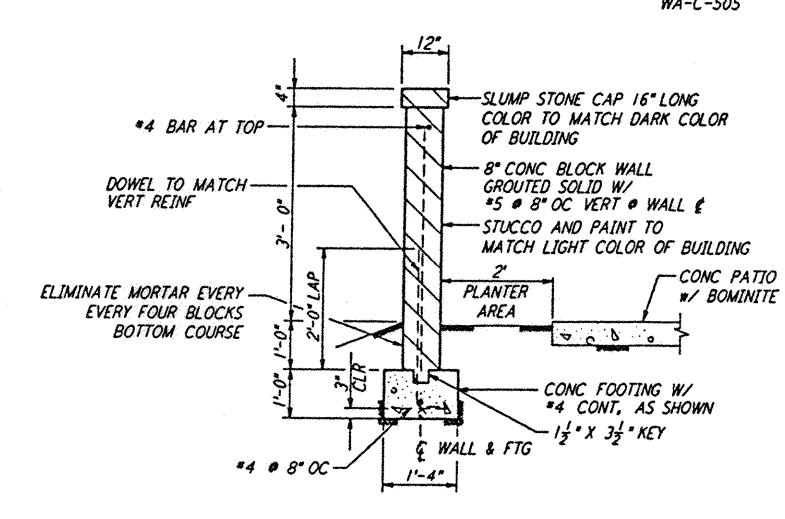
EXPANSION JOINT (EJ) (5)
 NOT TO SCALE
 REF: WA-C-051, WA-C-006, WA-C-021, WA-C-025, WA-C-041, WA-C-045, WA-C-505



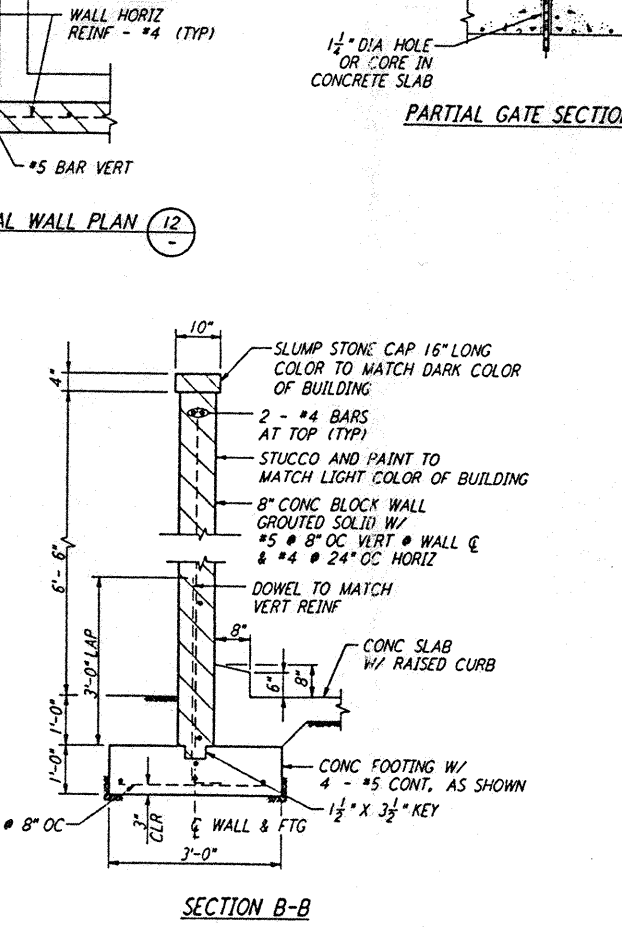
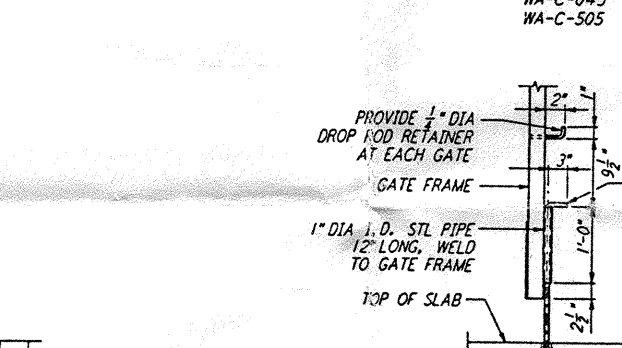
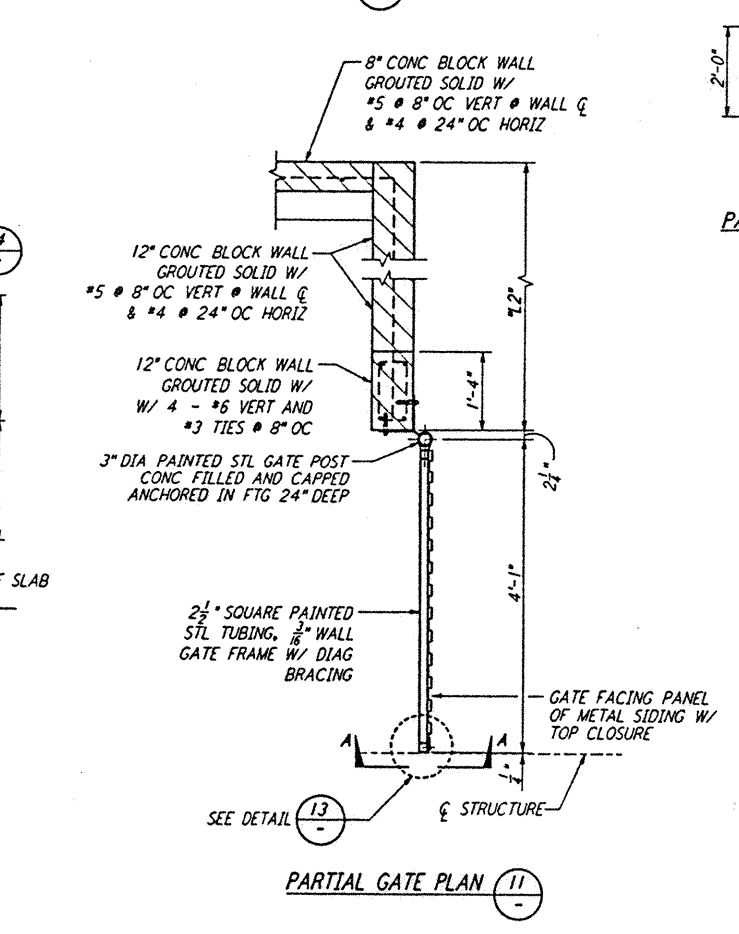
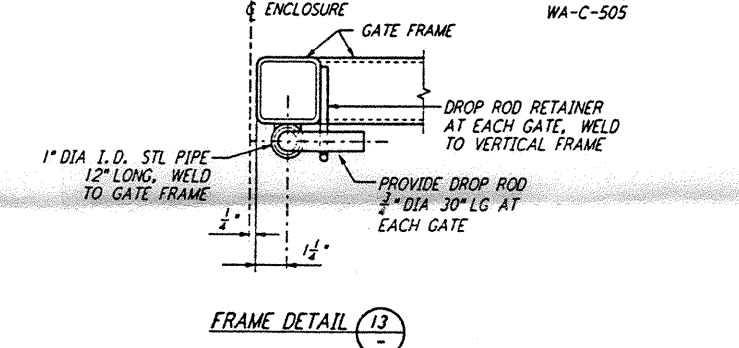
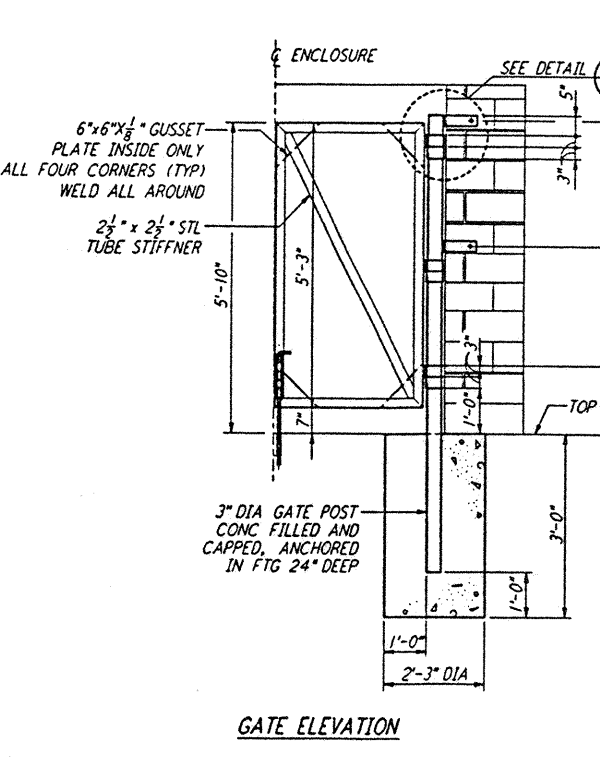
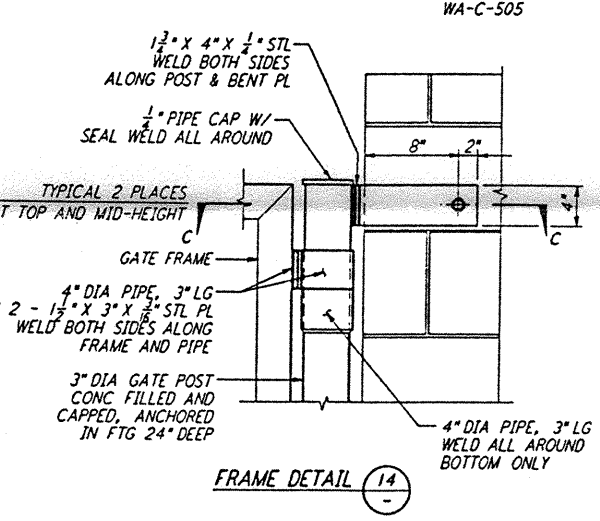
CONSTRUCTION JOINT (CJ) (6)
 NOT TO SCALE
 REF: WA-C-051, WA-C-006, WA-C-021, WA-C-025, WA-C-041, WA-C-045, WA-C-505



CONTRACTION JOINT (CO) (7)
 NOT TO SCALE
 REF: WA-C-051, WA-C-006, WA-C-021, WA-C-025, WA-C-041, WA-C-045, WA-C-505

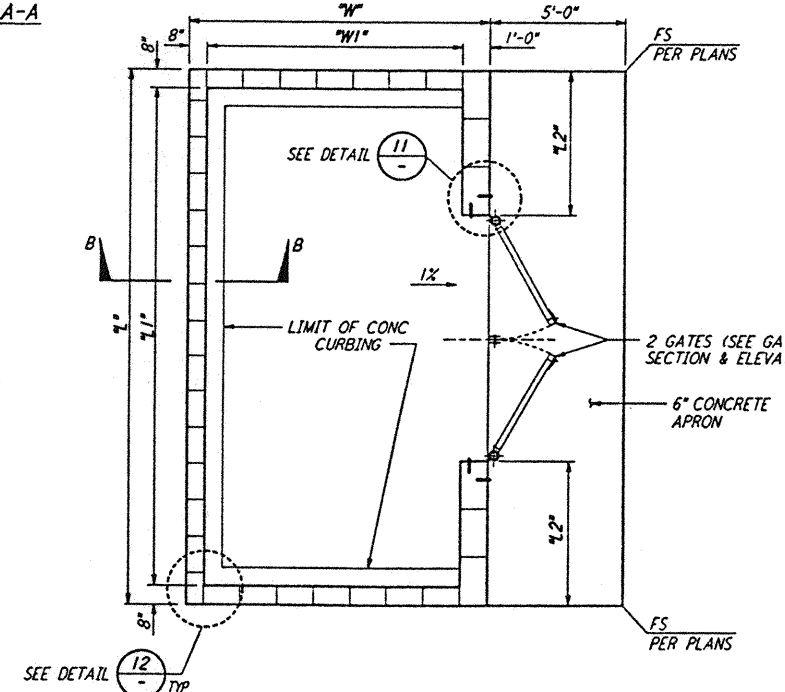


PATIO WALL (8)
 NOT TO SCALE
 REF: WA-C-051, WA-C-006, WA-C-505

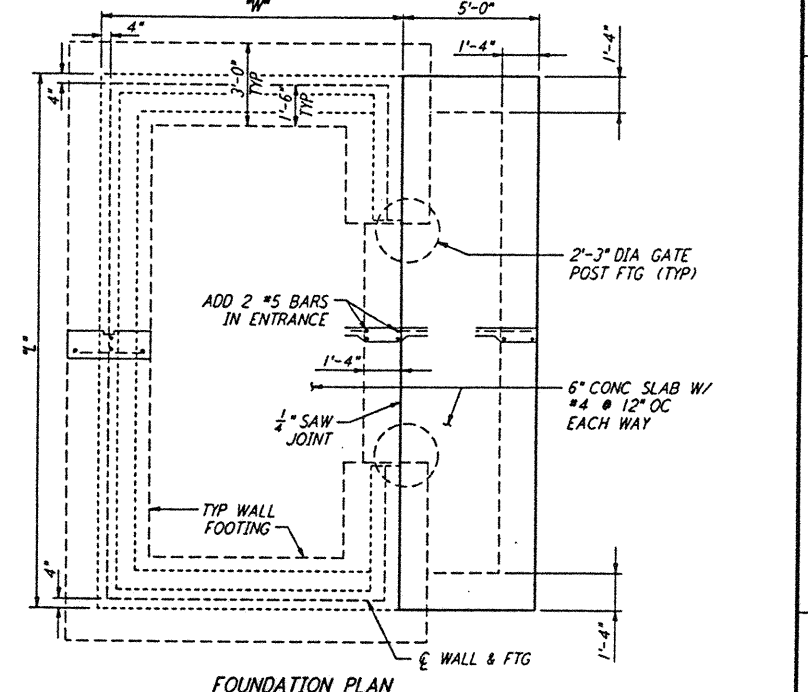


BLOCK WALL ENCLOSURE DIMENSIONS				
HAZARDOUS WASTE STORAGE	30'	28'-4"	10'-9 1/2"	15'
TRASH ENCLOSURE	18'	15'-4"	4'-8 1/2"	10'

NOTE:
 1. FOR SLAB FINISHED GRADES, SEE GRADING PLAN.



BLOCK WALL ENCLOSURE FOR TRASH AND HAZARDOUS WASTE STORAGE (10)
 NOT TO SCALE
 REF: WA-C-051, WA-C-006, WA-C-505



FOUNDATION PLAN

This document and the design it covers are the property of PARSONS. They are loaned only with the borrower's expressed written agreement that they will not be reproduced, copied, loaned, exhibited, or used in any other way, except by written consent from PARSONS to the borrower.

NO.	DATE	BY	CHKD	ENGR	PROJ	DESCRIPTION
B	4/12/96	WRB				FINAL DESIGN REVIEW & BID
A	4/19/96	WRB				FINAL DESIGN REVIEW & BID

DRAWN	WRB
CHECKED	
ENGINEER	
PROJ	

PARSONS
 100 WEST WALNUT STREET
 PASADENA, CALIFORNIA

LIGO
 CALIFORNIA INSTITUTE OF TECHNOLOGY
 MASSACHUSETTS INSTITUTE OF TECHNOLOGY

LASER INTERFEROMETER
 GRAVITATIONAL-WAVE OBSERVATORY
 SITE NO. 1 - HANFORD, WASHINGTON

CIVIL
 SITESHEET DETAILS
 SHEET 1

AS NOTED PPI50969 8094
WA-C-051