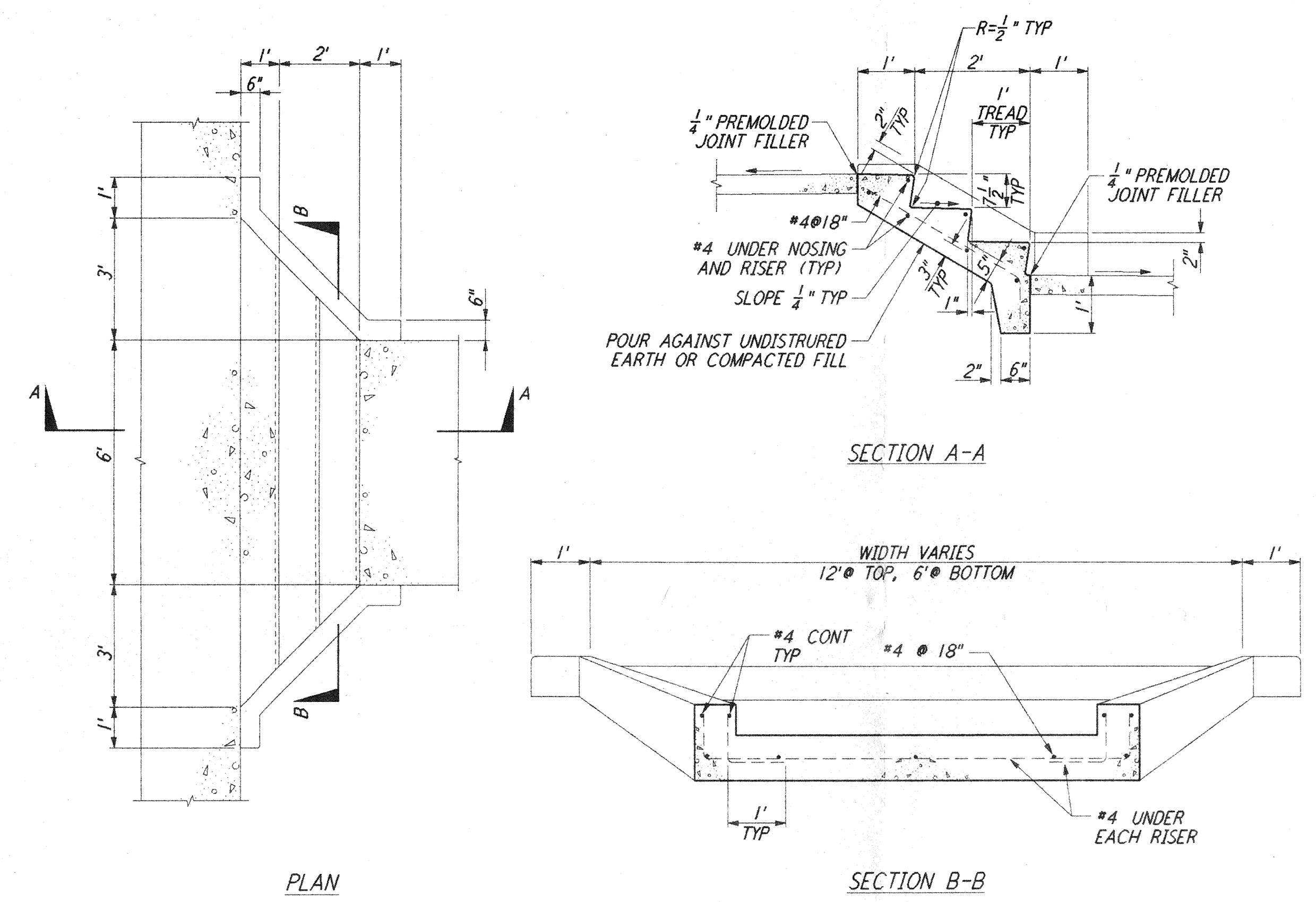
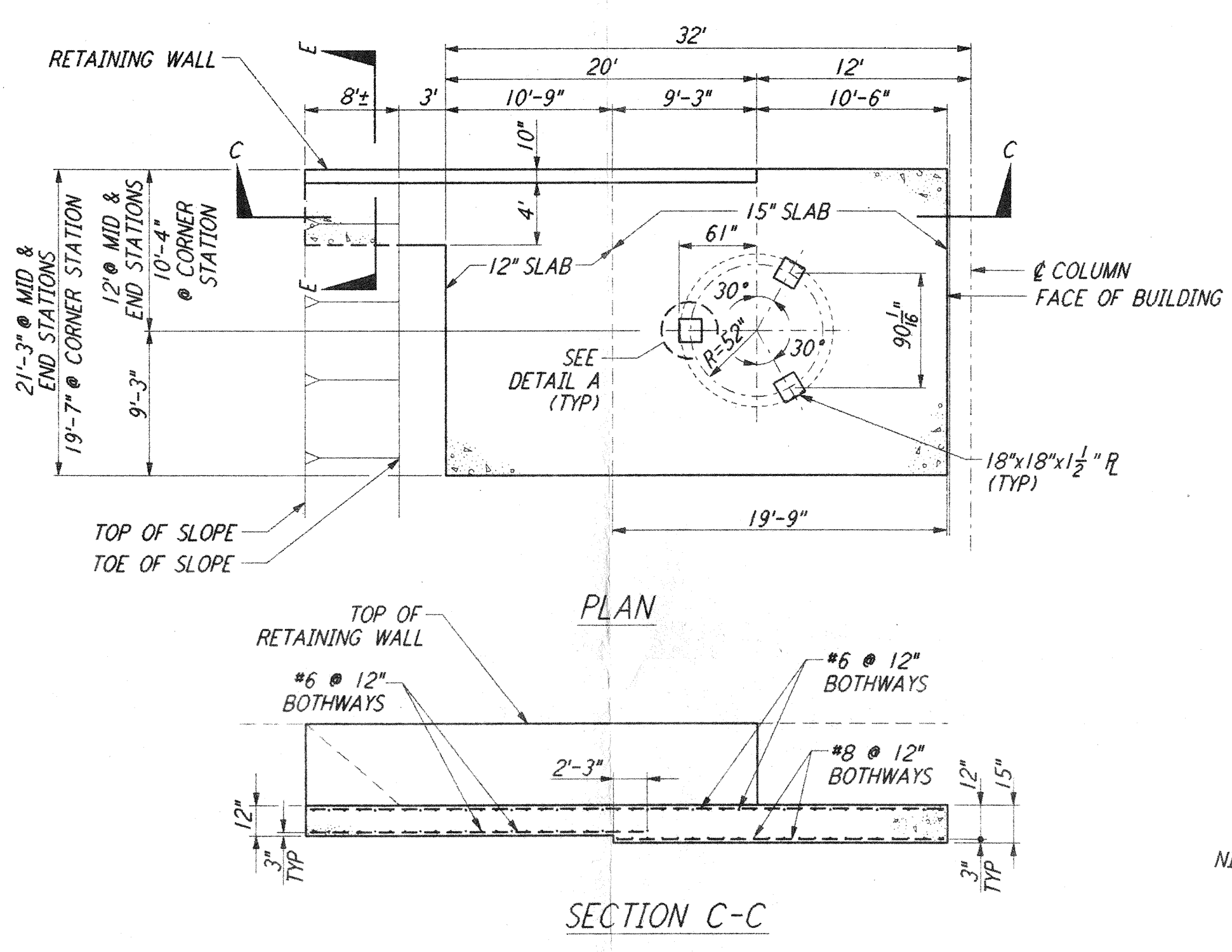


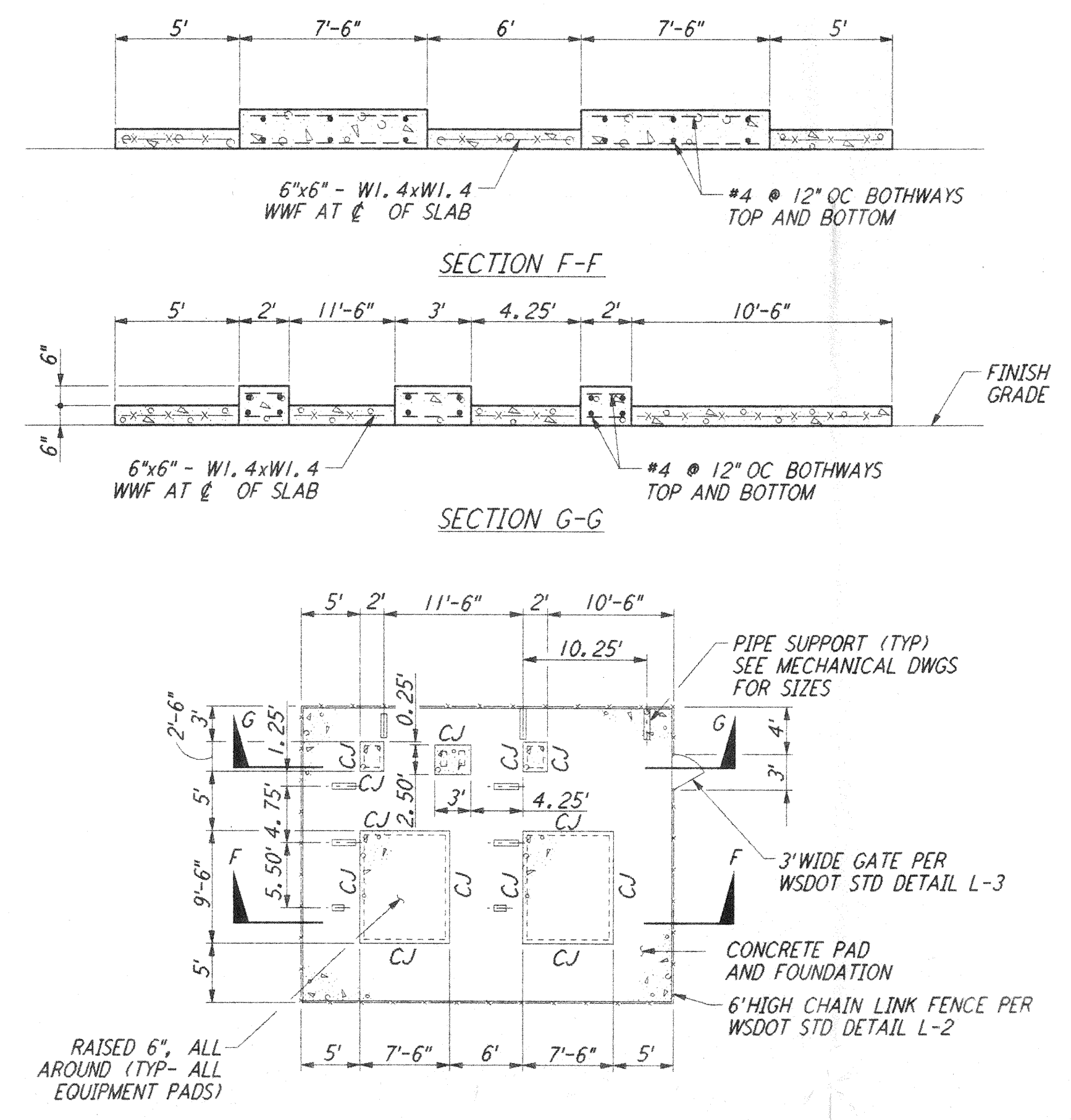
NOTES:
 1. SEE SHEET WA-C-002 FOR GENERAL NOTES, LEGEND AND ABBREVIATIONS.



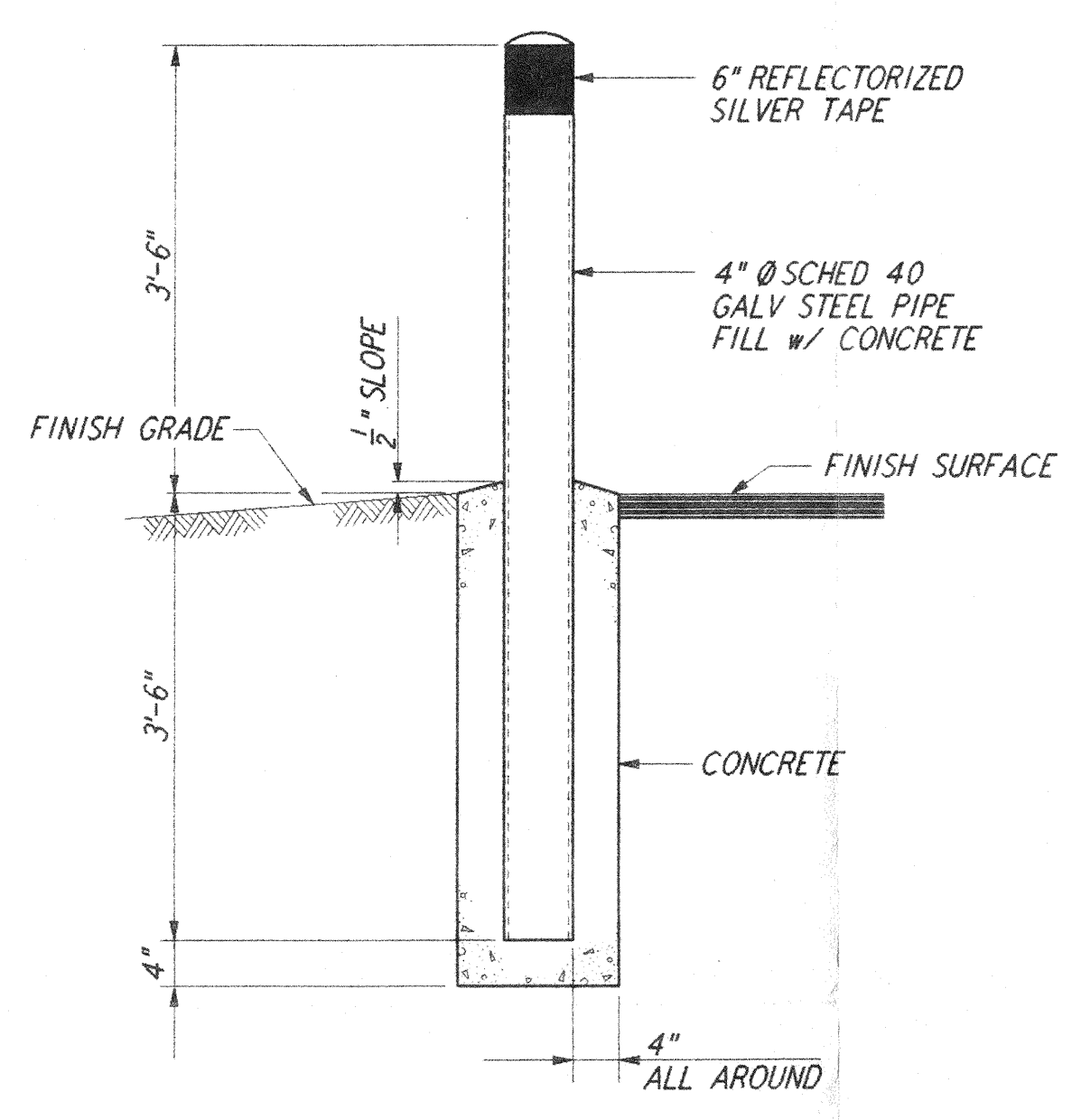
CONCRETE STEPS
 NOT TO SCALE
 REF: WA-C-052, WA-C-505, WA-C-006



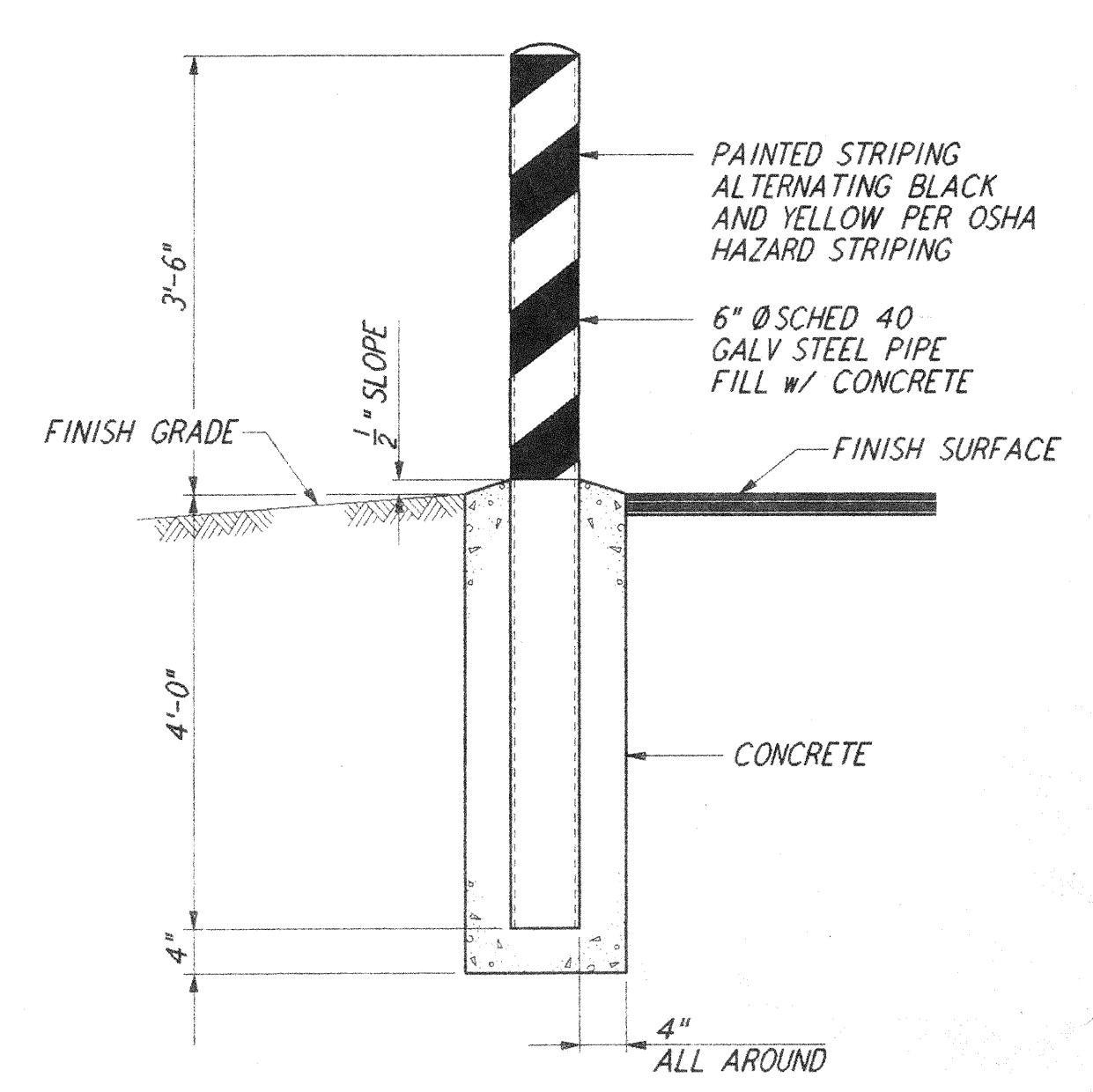
CONCRETE FOUNDATION FOR LIQUID NITROGEN TANK
 NOT TO SCALE
 REF: WA-C-052, WA-C-505, WA-C-021, WA-C-025, WA-C-041, WA-C-045



ENLARGED CHILLER YARD PLAN @ MID AND END STATIONS
 NOT TO SCALE
 REF: WA-C-052, WA-C-021, WA-C-025, WA-C-041, WA-C-045
 NOTES:
 FOR MID AND END STATIONS - NORTHWEST ARM, USE PLAN AS SHOWN.
 FOR MID AND END STATIONS - SOUTHWEST ARM, PLAN IS ROTATED 90° AND MIRRORED ABOUT THE BEAM TUBE CENTERLINE.



GUARD POST
 NOT TO SCALE
 REF: WA-C-052, WA-C-006, WA-C-055



BOLLARD
 NOT TO SCALE
 REF: WA-C-052, WA-C-505, WA-C-006, WA-C-021, WA-C-025, WA-C-041, WA-C-045

NO.	DATE	BY	CHKD	ENGR	PROJ	DESCRIPTION

NO.	DATE	BY	CHKD	ENGR	PROJ	DESCRIPTION

FOR CONSTRUCTION
 DRAWN: WRB 9/28/95
 CHECKED: [Signature] 7/7/96
 ENGINEER: [Signature] 7/7/96
 PROJ: [Signature] 7/7/96

PARSONS
 100 WEST WALNUT STREET
 PASADENA, CALIFORNIA

LIGO
 CALIFORNIA INSTITUTE OF TECHNOLOGY
 MASSACHUSETTS INSTITUTE OF TECHNOLOGY

LASER INTERFEROMETER
 GRAVITATIONAL-WAVE OBSERVATORY
 SITE NO. 1 - HANFORD, WASHINGTON

SCALE	CONTRACT NUMBER	PROJECT NUMBER
AS NOTED	PPI 50969	8094
SHEET NUMBER	WA - C - 052	
REVISIONS		

CIVIL
 SITEWORK DETAILS
 SHEET 2

LIGO-D960238-00-0

This document and the design it covers are the property of PARSONS. They are loaned only with the borrower's expressed written agreement that they will not be reproduced, copied, loaned, exhibited, or used in any other way, except by written consent from PARSONS to the borrower.