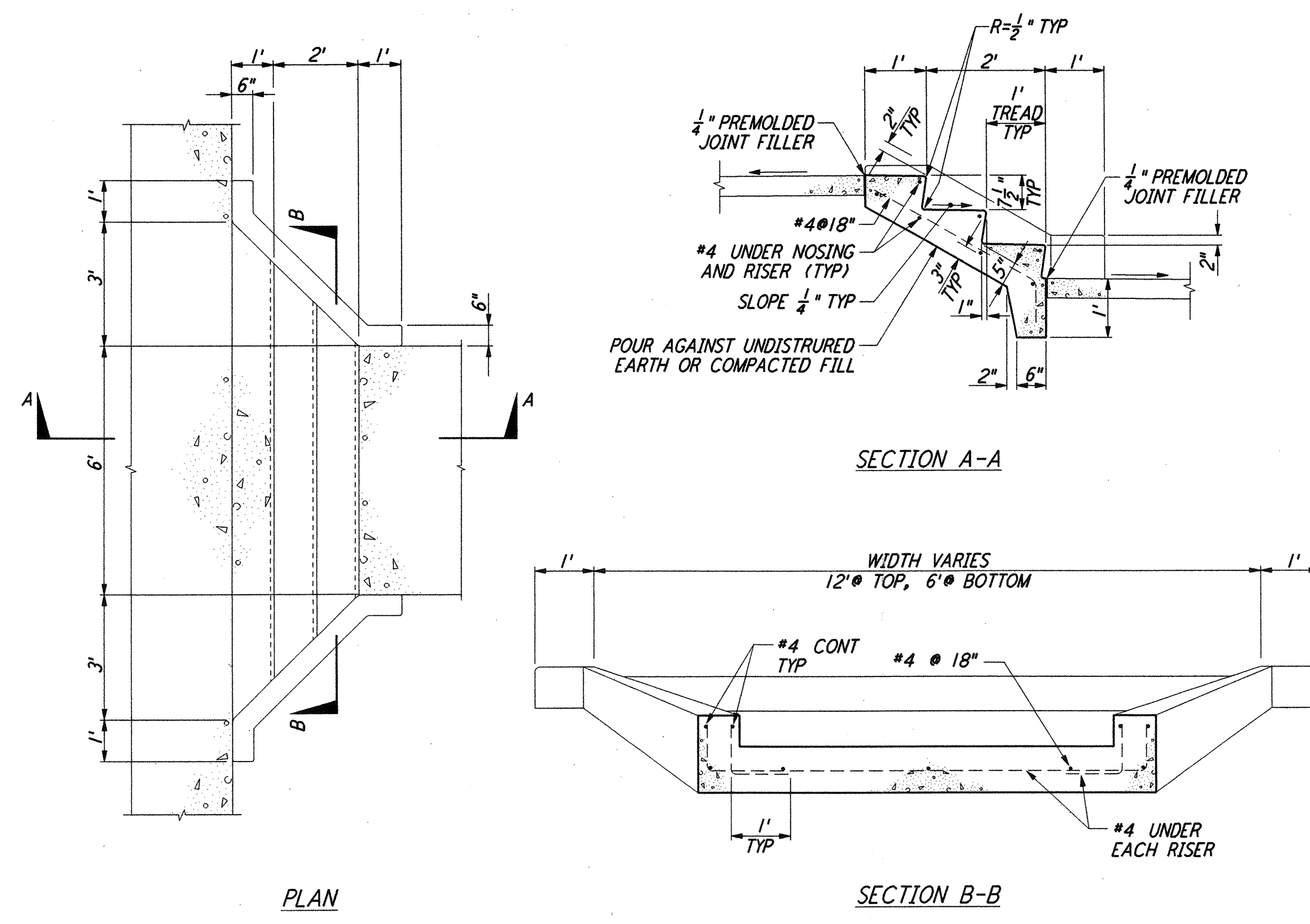
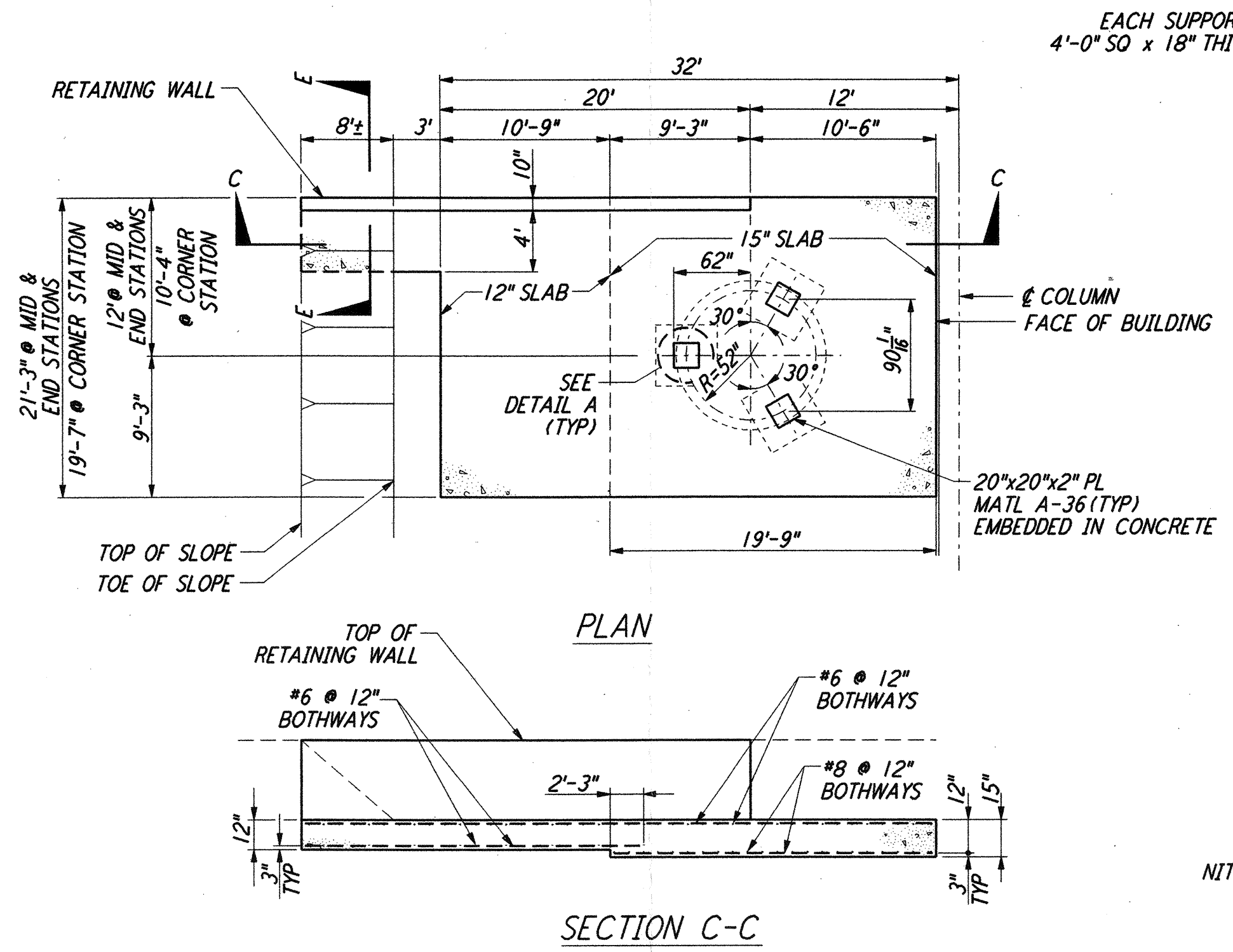


not be reproduced, copied, loaned, exhibited, or used in any other way, except by written consent from PARSONS to the borrower.

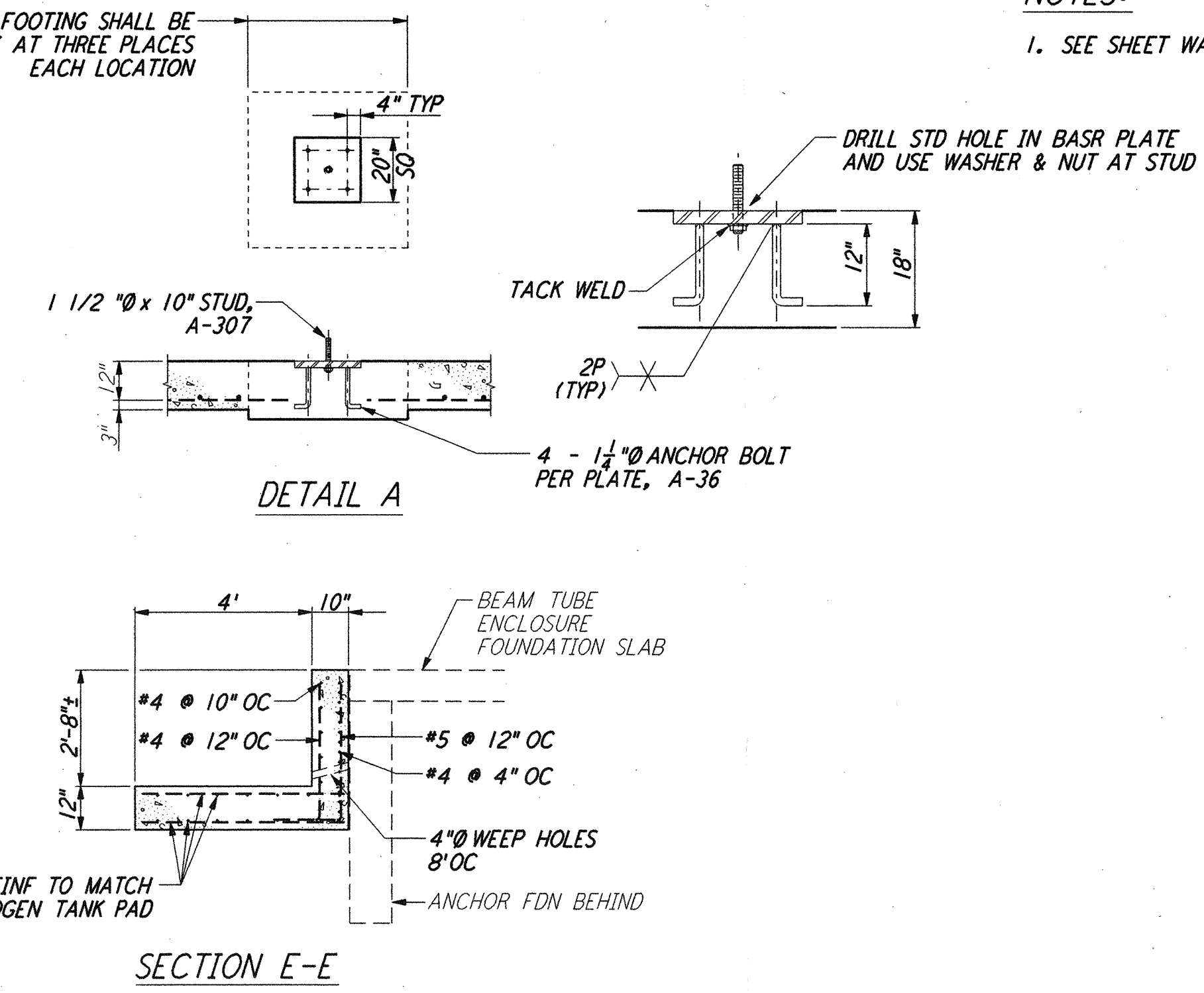
This document and the design it covers are the property of PARSONS. They are loaned only with the borrower's expressed written agreement that they will



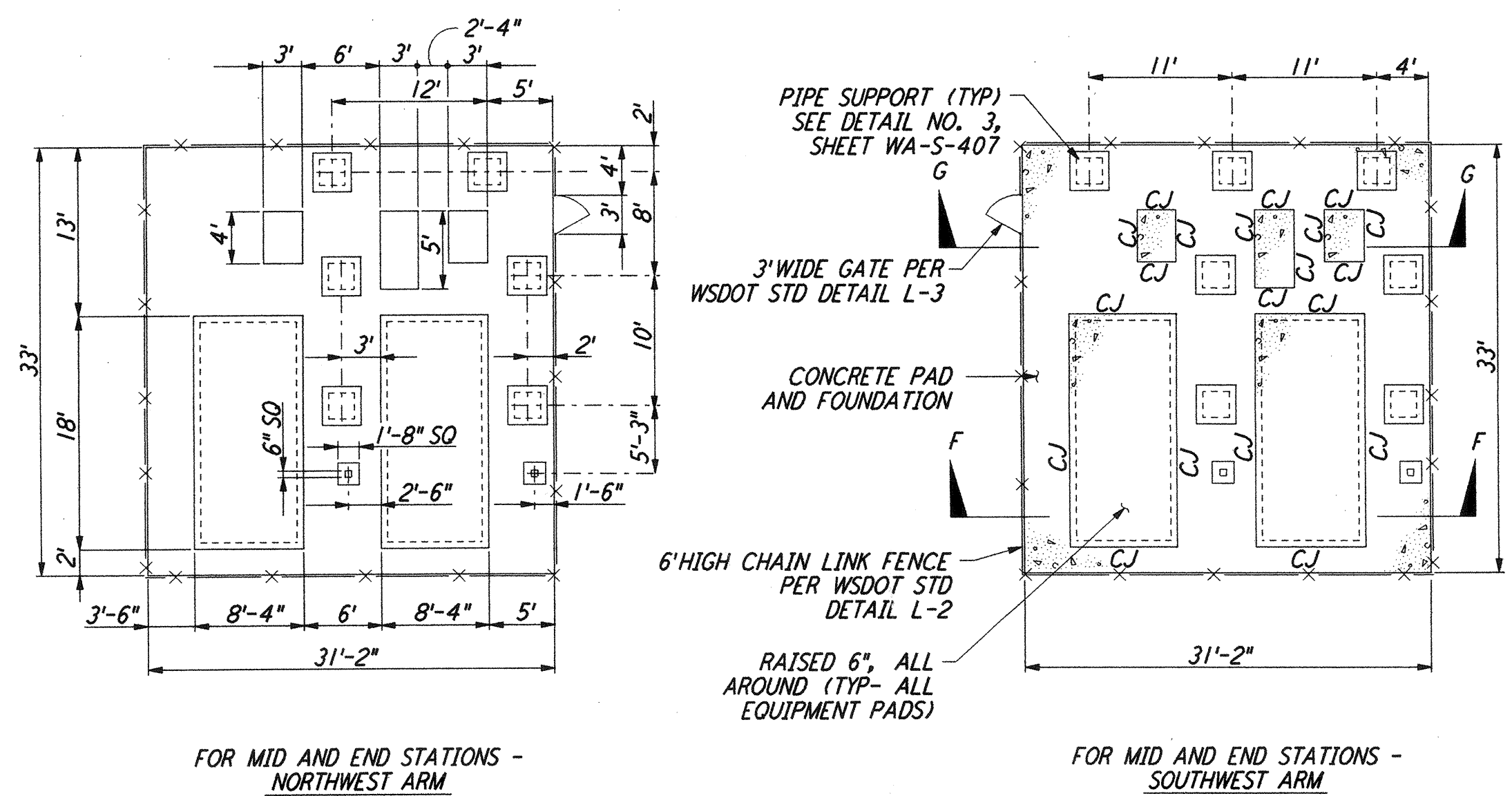
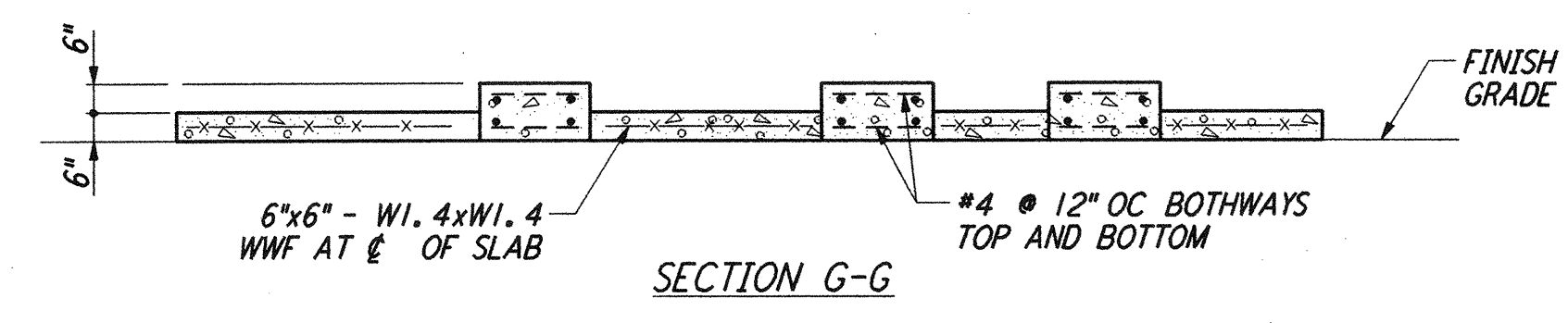
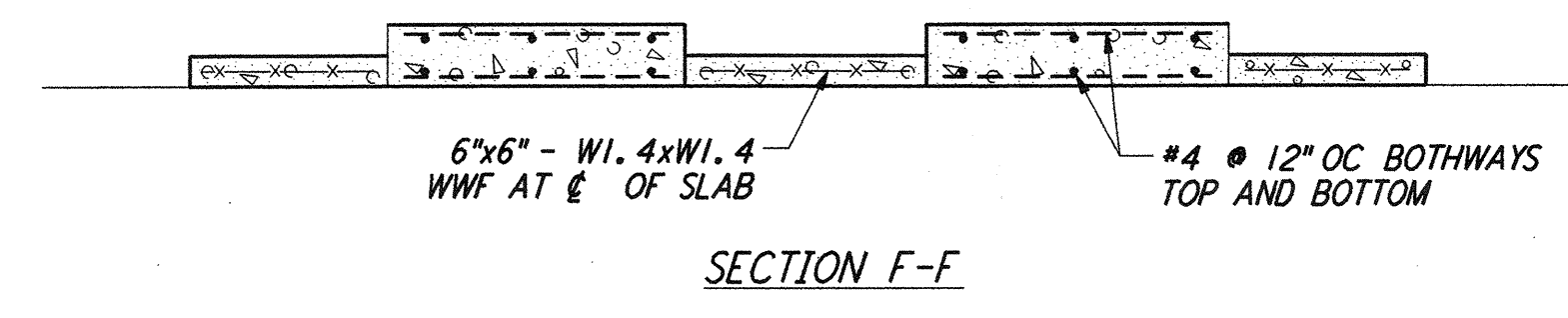
**CONCRETE STEPS** (1)  
 NOT TO SCALE  
 REF: WA-C-505, WA-C-006



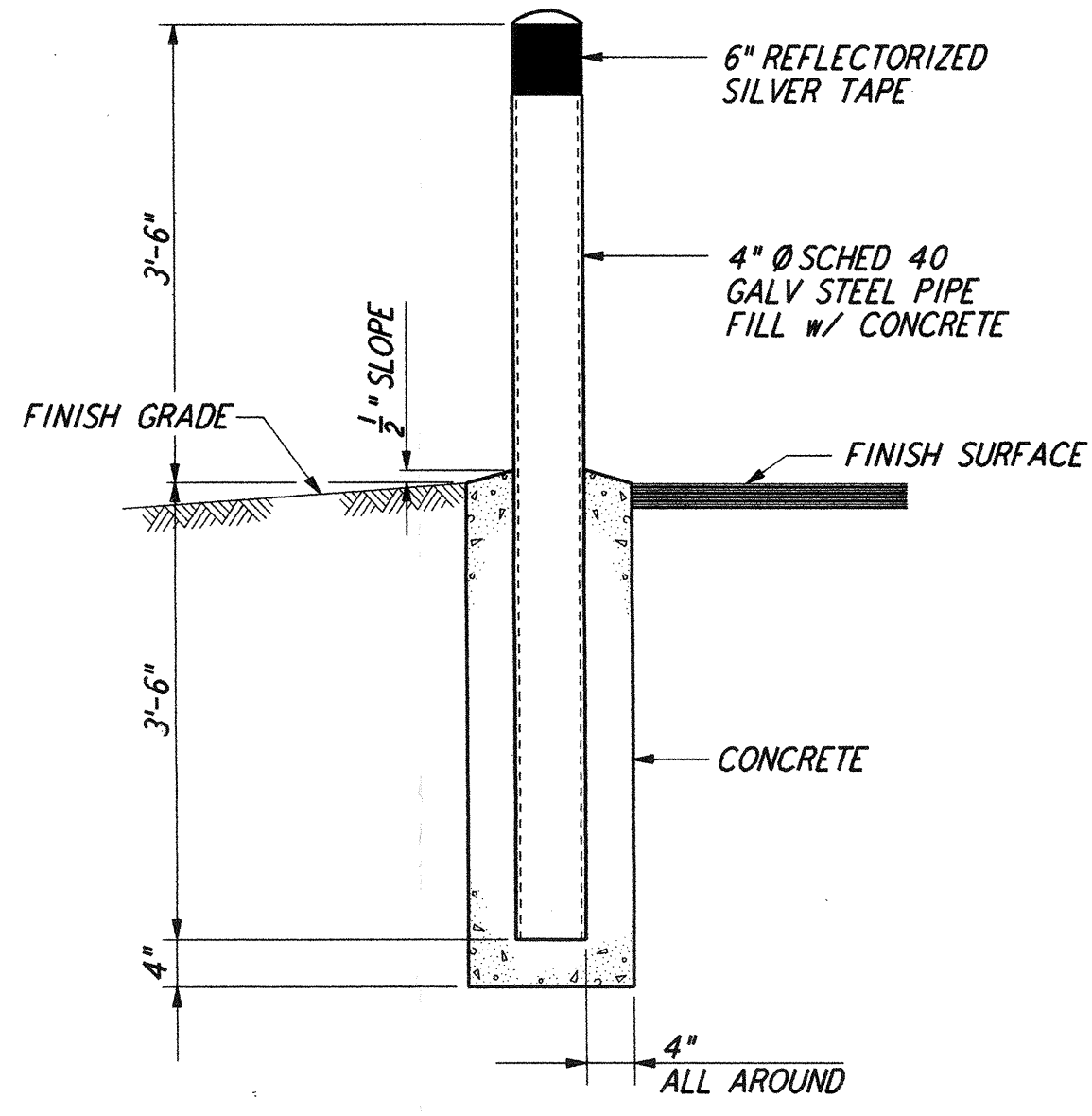
**CONCRETE FOUNDATION FOR LIQUID NITROGEN TANK** (2)  
 NOT TO SCALE  
 REF: WA-C-052, WA-C-505, WA-C-021, WA-C-025, WA-C-041, WA-C-045



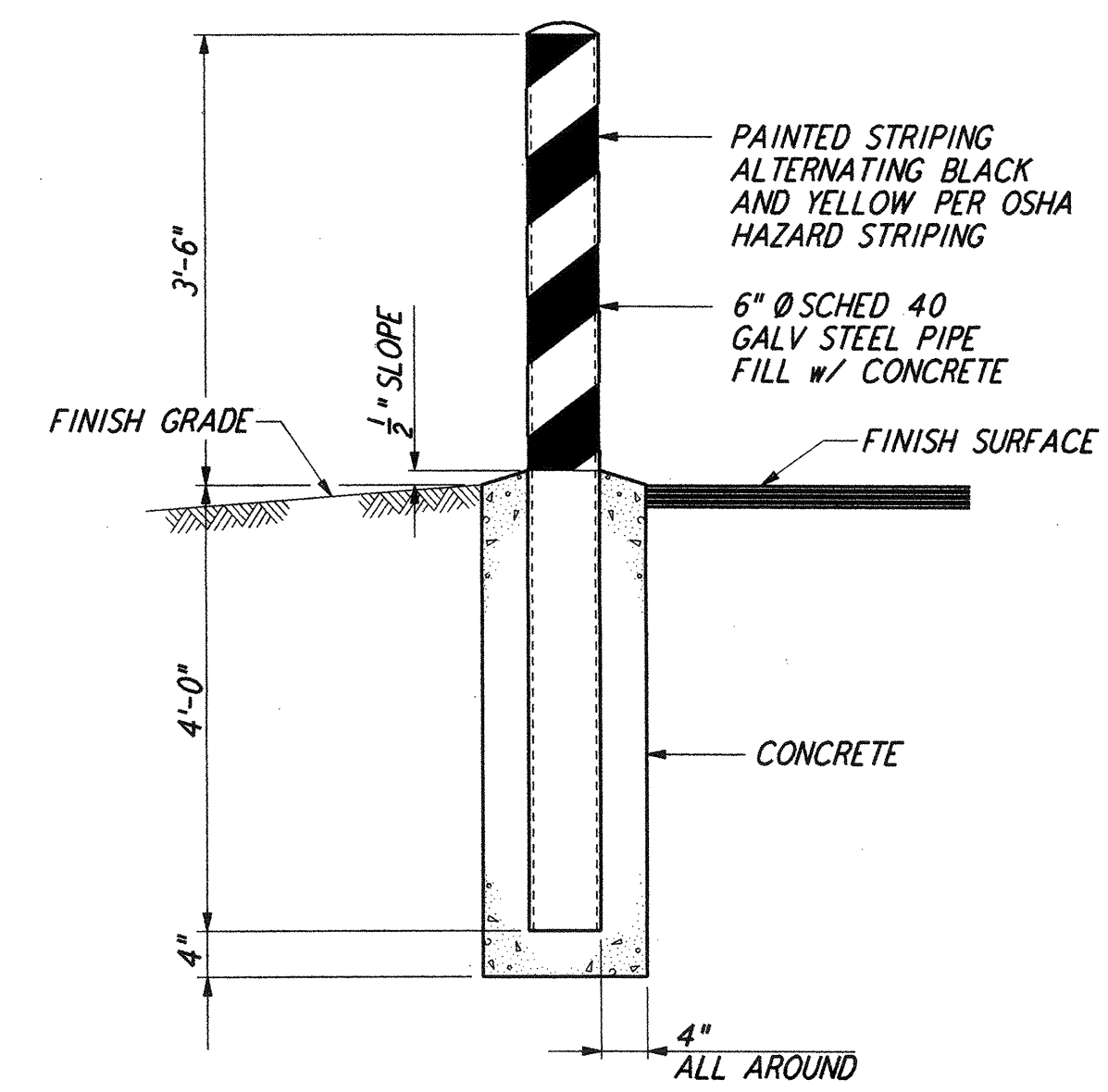
**NOTES:**  
 1. SEE SHEET WA-C-002 FOR GENERAL NOTES, LEGEND AND ABBREVIATIONS.



**ENLARGED CHILLER YARD PLANS @ MID AND END STATIONS** (3)  
 NOT TO SCALE  
 REF: WA-C-021, WA-C-025, WA-C-041, WA-C-045  
 NOTE: DIMENSIONS AND CALLOUTS ARE TYPICAL FOR BOTH PLANS, UNLESS SHOWN OTHERWISE



**GUARD POST** (4)  
 NOT TO SCALE  
 REF: WA-C-052, WA-C-006, WA-C-055



**BOLLARD** (5)  
 NOT TO SCALE  
 REF: WA-C-052, WA-C-505, WA-C-006, WA-C-021, WA-C-025, WA-C-041, WA-C-045

**LIGO-D960236-01-0**

NO.	DATE	BY	CHKD	ENGR	PROJ	DESCRIPTION
1	5/15/98	WRB	CS	CS	MDW	ISSUED FOR AS-BUILT

FOR CONSTRUCTION		
DRAWN	WRB	9/28/95
CHECKED	ML	7/9/96
ENGINEER	JB	7/9/96
PROJ	MDW	7/9/96

**AS-BUILT DRAWINGS**

100 WEST WALNUT STREET  
 PASADENA, CALIFORNIA

CALIFORNIA INSTITUTE OF TECHNOLOGY  
 MASSACHUSETTS INSTITUTE OF TECHNOLOGY

LASER INTERFEROMETER  
 GRAVITATIONAL-WAVE OBSERVATORY  
 SITE NO. 1 - HANFORD, WASHINGTON

TITLE	SCALE	CONTRACT NUMBER	PROJECT NUMBER
CIVIL SITEWORK DETAILS SHEET 2	AS NOTED	PP150969	8094
SHEET NUMBER		REVISIONS	
<b>WA-C-052</b>		▲	

36m Jul 06 14:11:29 1998 C:\PLOT\KQUE\S3\9802.DWG 52085 41\9802\caw052.dwg