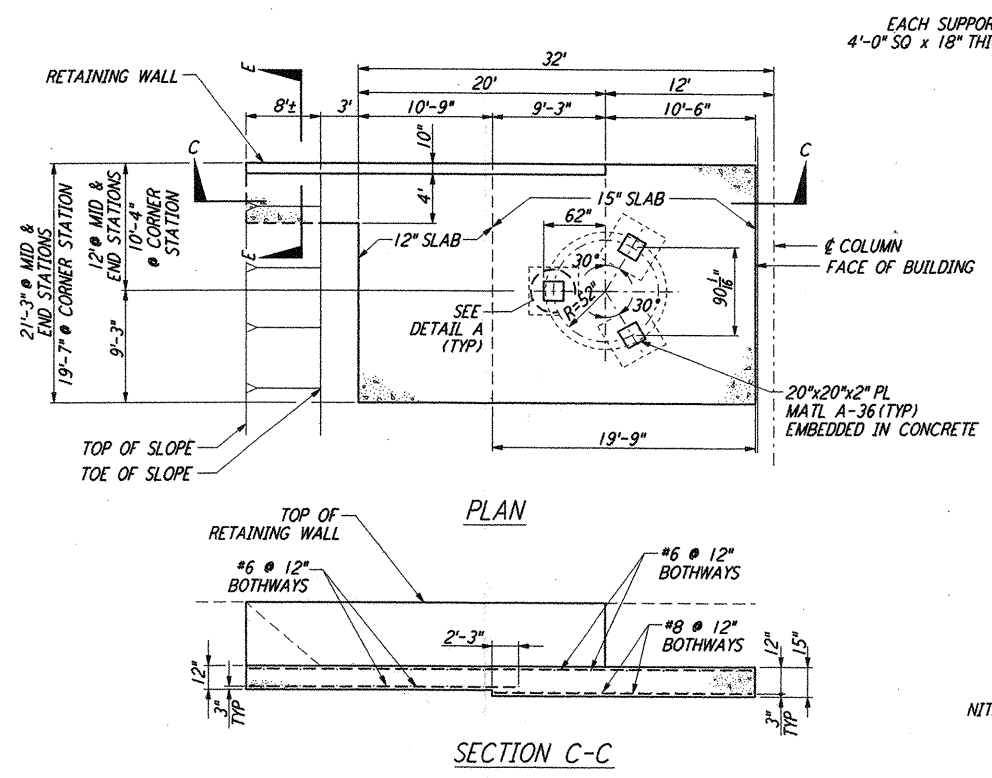
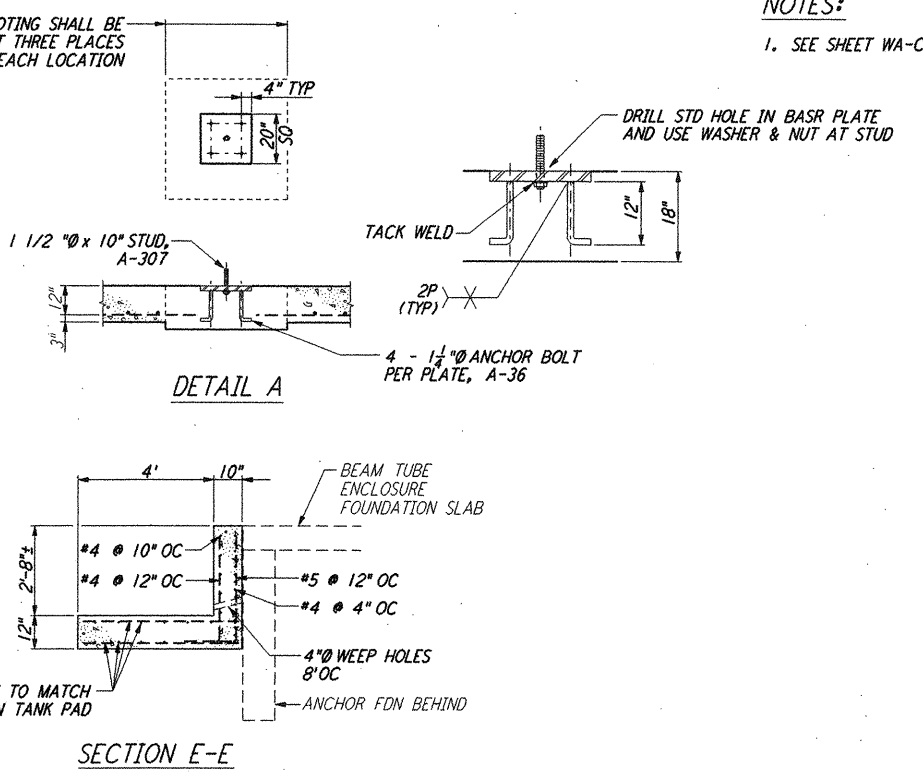


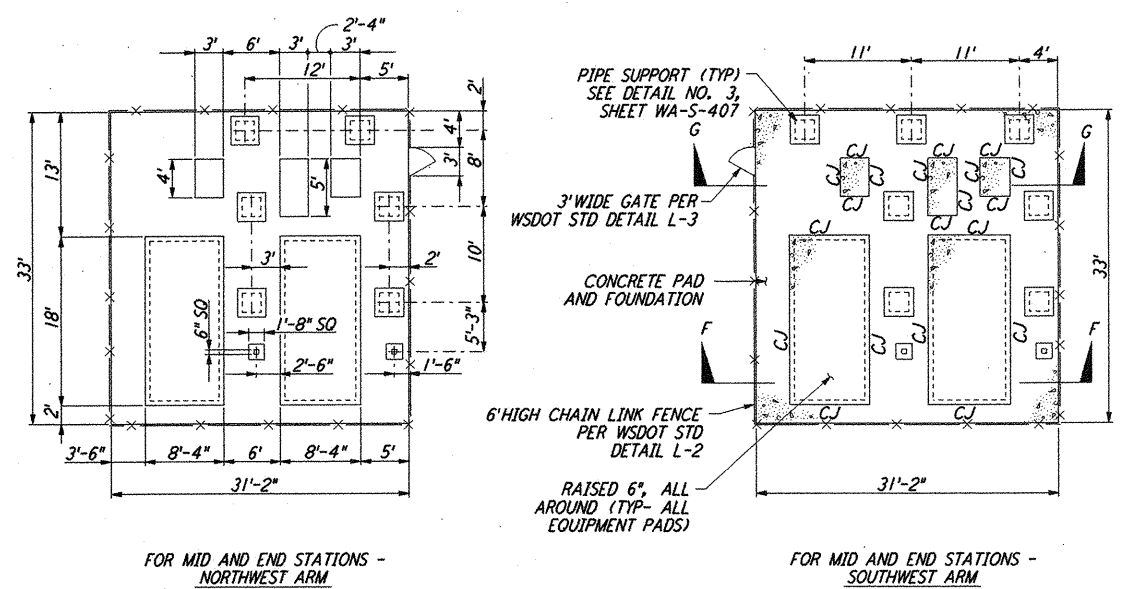
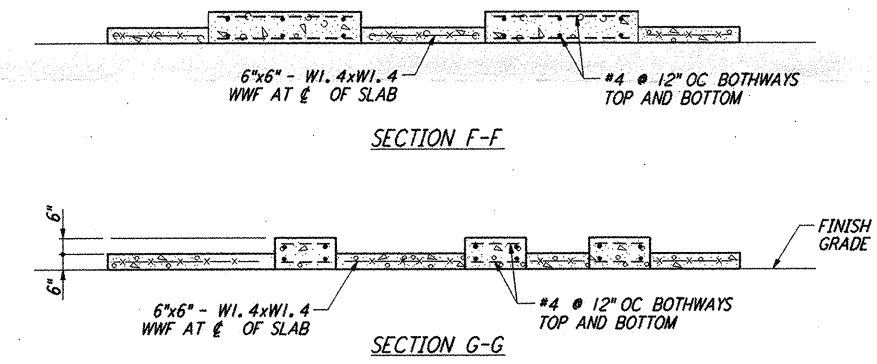
CONCRETE STEPS (1)
 NOT TO SCALE
 REF: WA-C-505, WA-C-006



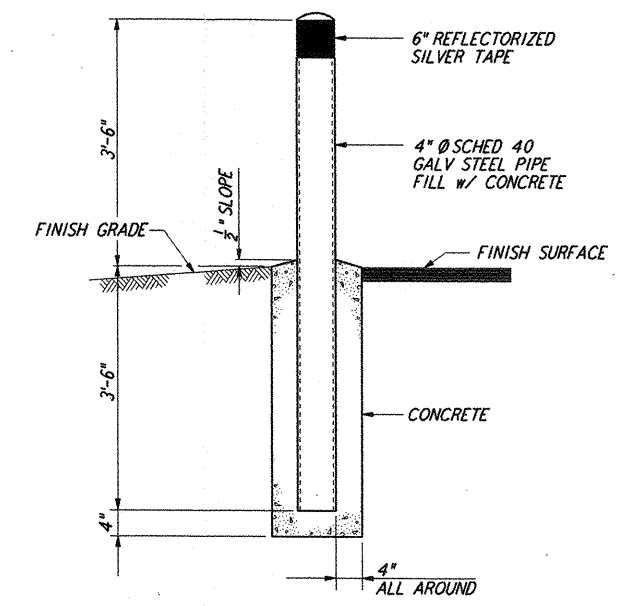
CONCRETE FOUNDATION FOR LIQUID NITROGEN TANK (2)
 NOT TO SCALE
 REF: WA-C-505, WA-C-021, WA-C-025, WA-C-041, WA-C-045



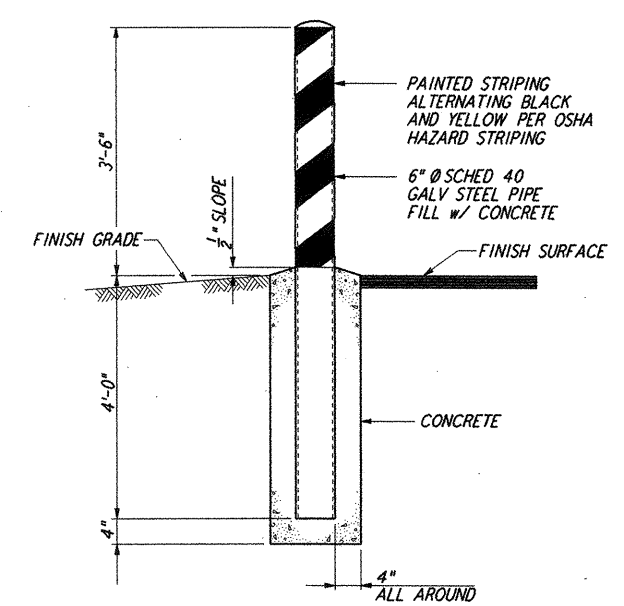
NOTES:
 1. SEE SHEET WA-C-002 FOR GENERAL NOTES, LEGEND AND ABBREVIATIONS.



ENLARGED CHILLER YARD PLANS @ MID AND END STATIONS (3)
 NOT TO SCALE
 NOTE: DIMENSIONS AND CALLOUTS ARE TYPICAL FOR BOTH PLANS, UNLESS SHOWN OTHERWISE.
 REF: WA-C-021, WA-C-025, WA-C-041, WA-C-045



GUARD POST (4)
 NOT TO SCALE
 REF: WA-C-052, WA-C-006, WA-C-055



BOLLARD (5)
 NOT TO SCALE
 REF: WA-C-052, WA-C-505, WA-C-006, WA-C-021, WA-C-025, WA-C-041, WA-C-045

not be reproduced, copied, loaned, exhibited, or used in any other way, except by written consent from PARSONS to the borrower.

This document and the design it covers are the property of PARSONS. They are loaned only with the borrower's expressed written agreement that they will

NO.	DATE	BY	CHKD	ENGR	PROJ	DESCRIPTION
1	5/15/98	WRB	ML	JB	MDW	ISSUED FOR AS-BUILT

FOR CONSTRUCTION		
DRAWN	WRB	9/28/95
CHECKED	ML	7/9/96
ENGINEER	JB	7/9/96
PROJ	MDW	7/9/96

AS-BUILT DRAWINGS

PARSONS
 100 WEST WALNUT STREET
 PASADENA, CALIFORNIA

LIGO
 CALIFORNIA INSTITUTE OF TECHNOLOGY
 MASSACHUSETTS INSTITUTE OF TECHNOLOGY

LASER INTERFEROMETER
 GRAVITATIONAL-WAVE OBSERVATORY
 SITE NO. 1 - HANFORD, WASHINGTON

CIVIL
 SITWORK DETAILS
 SHEET 2

AS NOTED PPI 50969 8094
WA-C-052