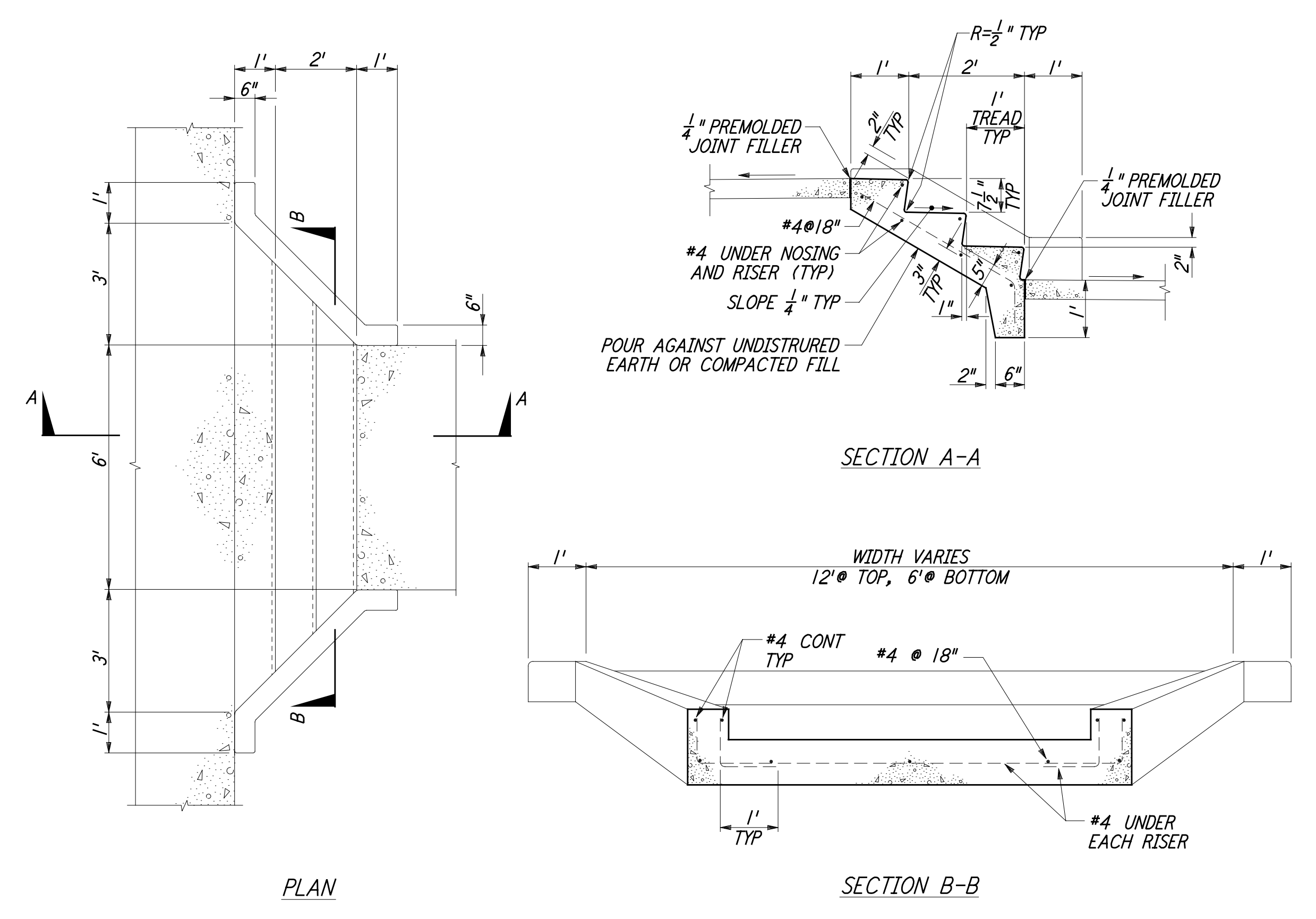
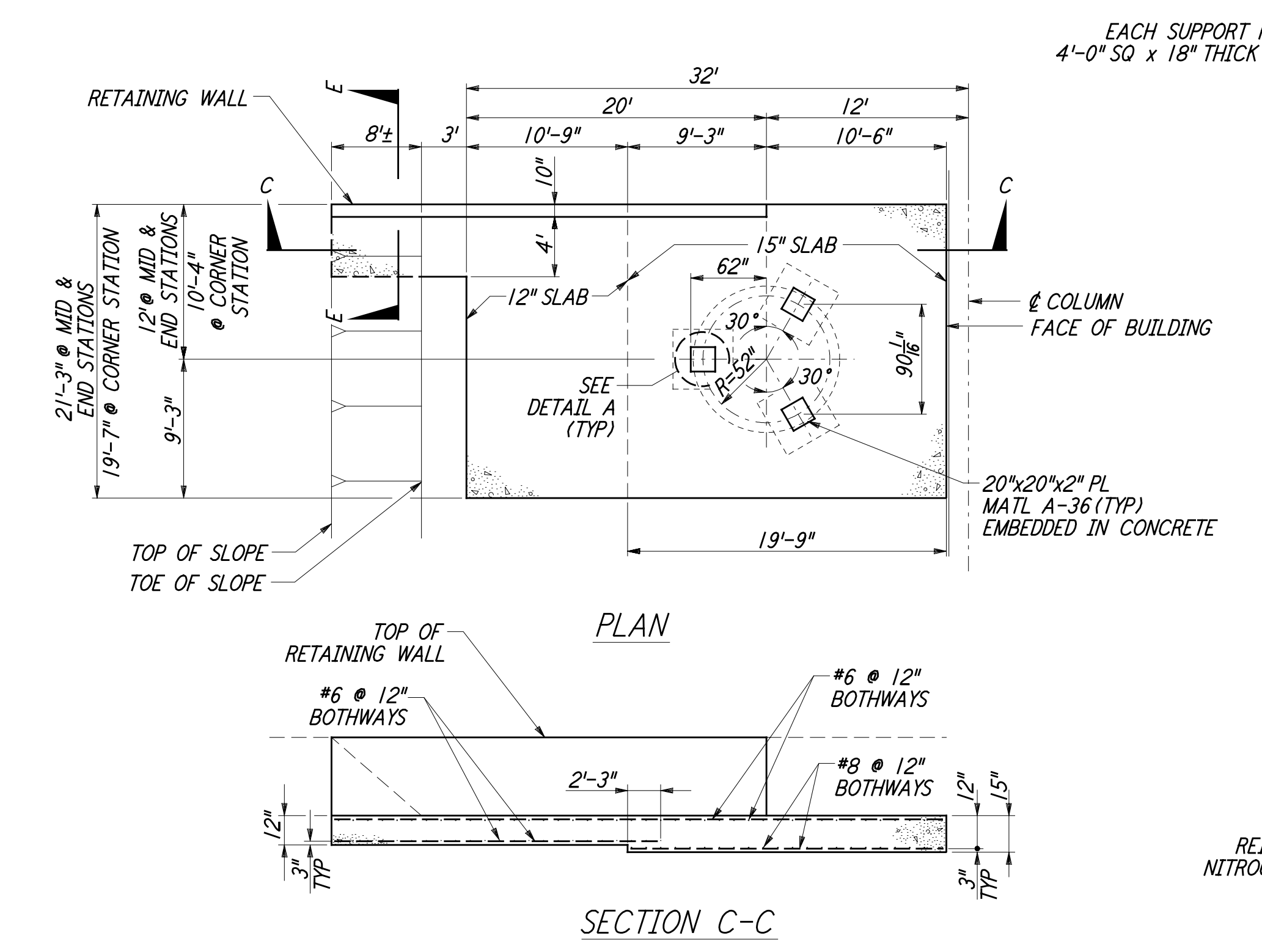


This document and the design it covers are the property of PARSONS. They are loaned only with the borrower's expressed written agreement that they will not be reproduced, copied, loaned, exhibited, or used in any other way, except by written consent from PARSONS to the borrower.



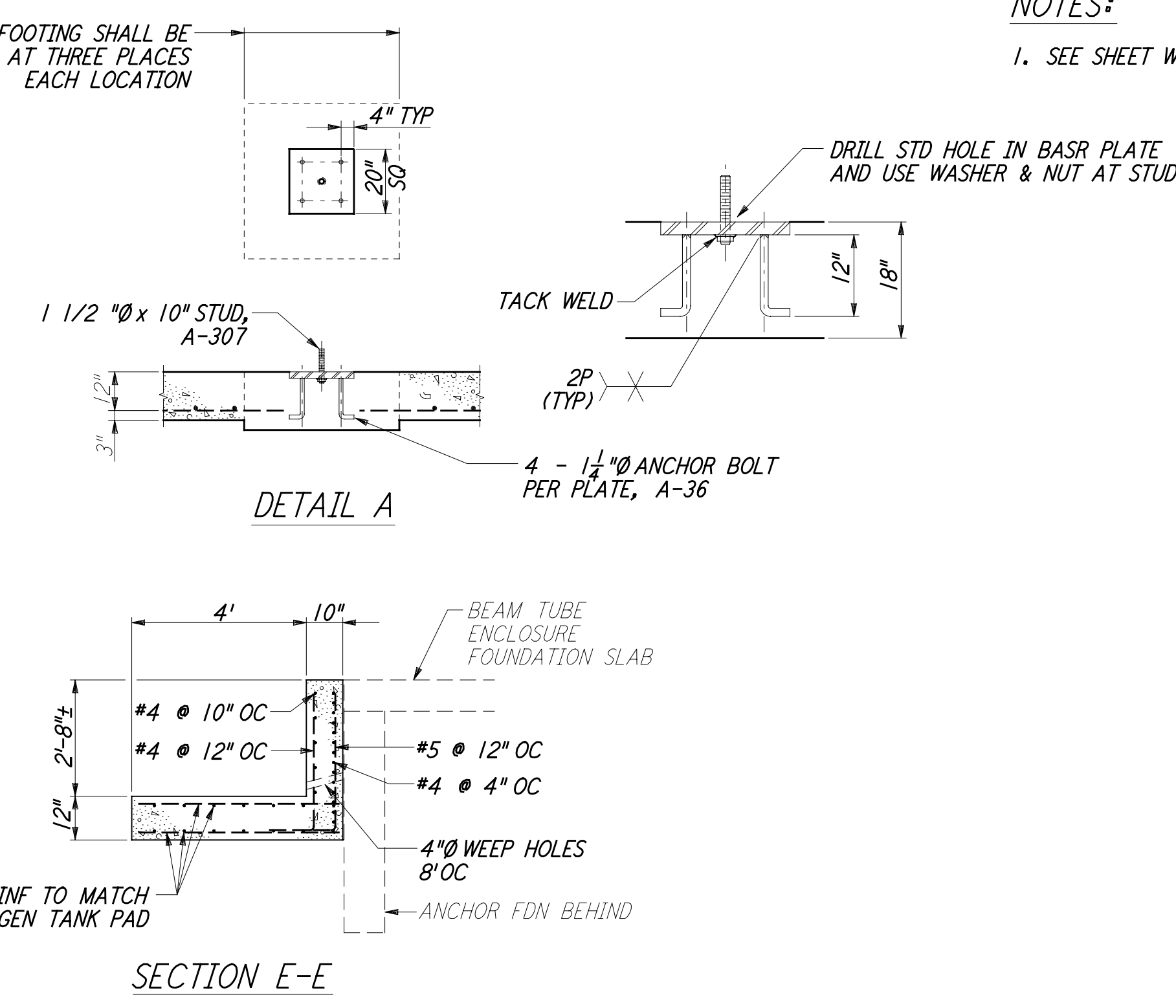
CONCRETE STEPS
 NOT TO SCALE

REF: WA-C-052, WA-C-505, WA-C-006

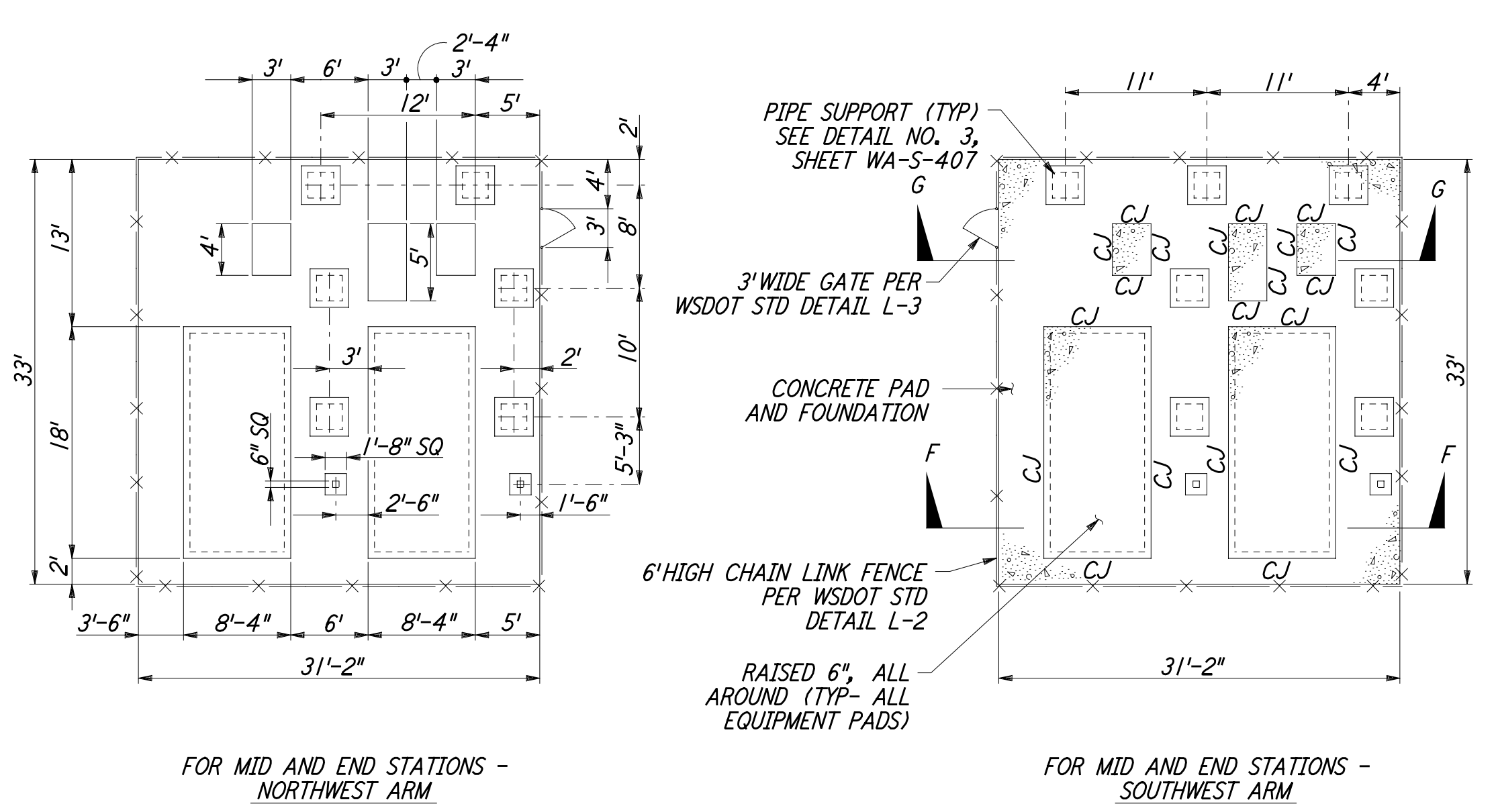
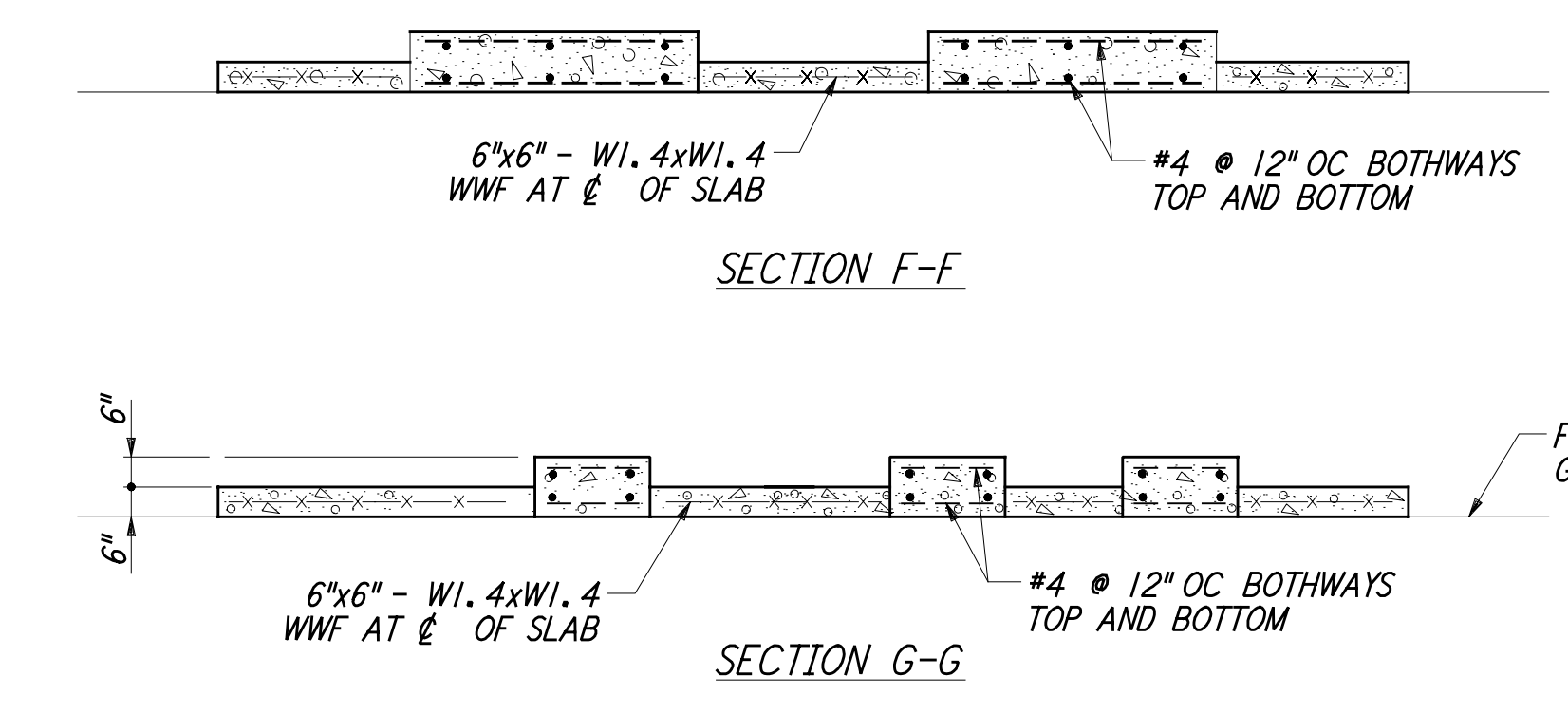


CONCRETE FOUNDATION FOR LIQUID NITROGEN TANK
 NOT TO SCALE

REF: WA-C-052, WA-C-505, WA-C-021, WA-C-025, WA-C-041, WA-C-045



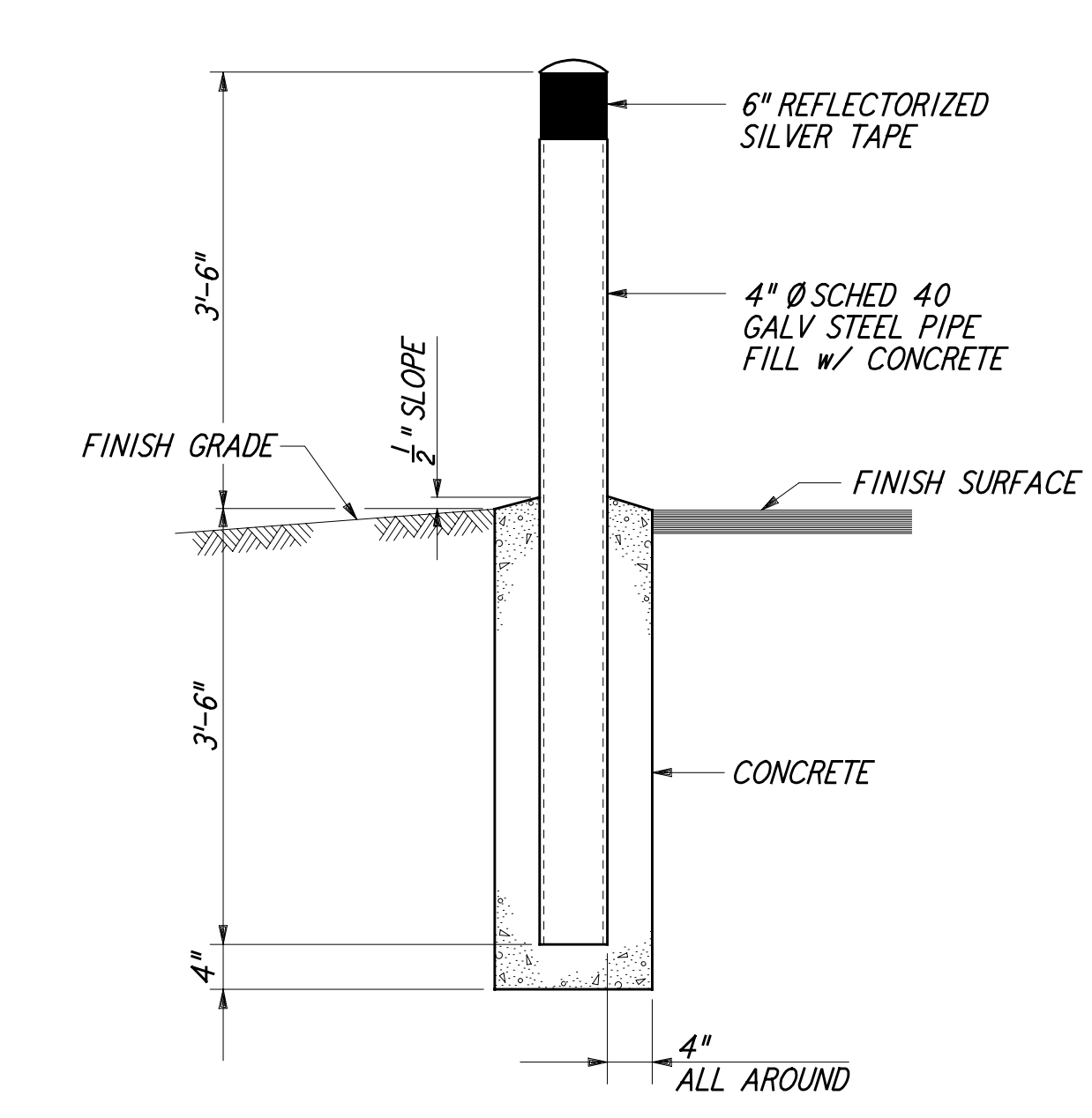
NOTES:
 1. SEE SHEET WA-C-002 FOR GENERAL NOTES, LEGEND AND ABBREVIATIONS.



ENLARGED CHILLER YARD PLANS @ MID AND END STATIONS
 NOT TO SCALE

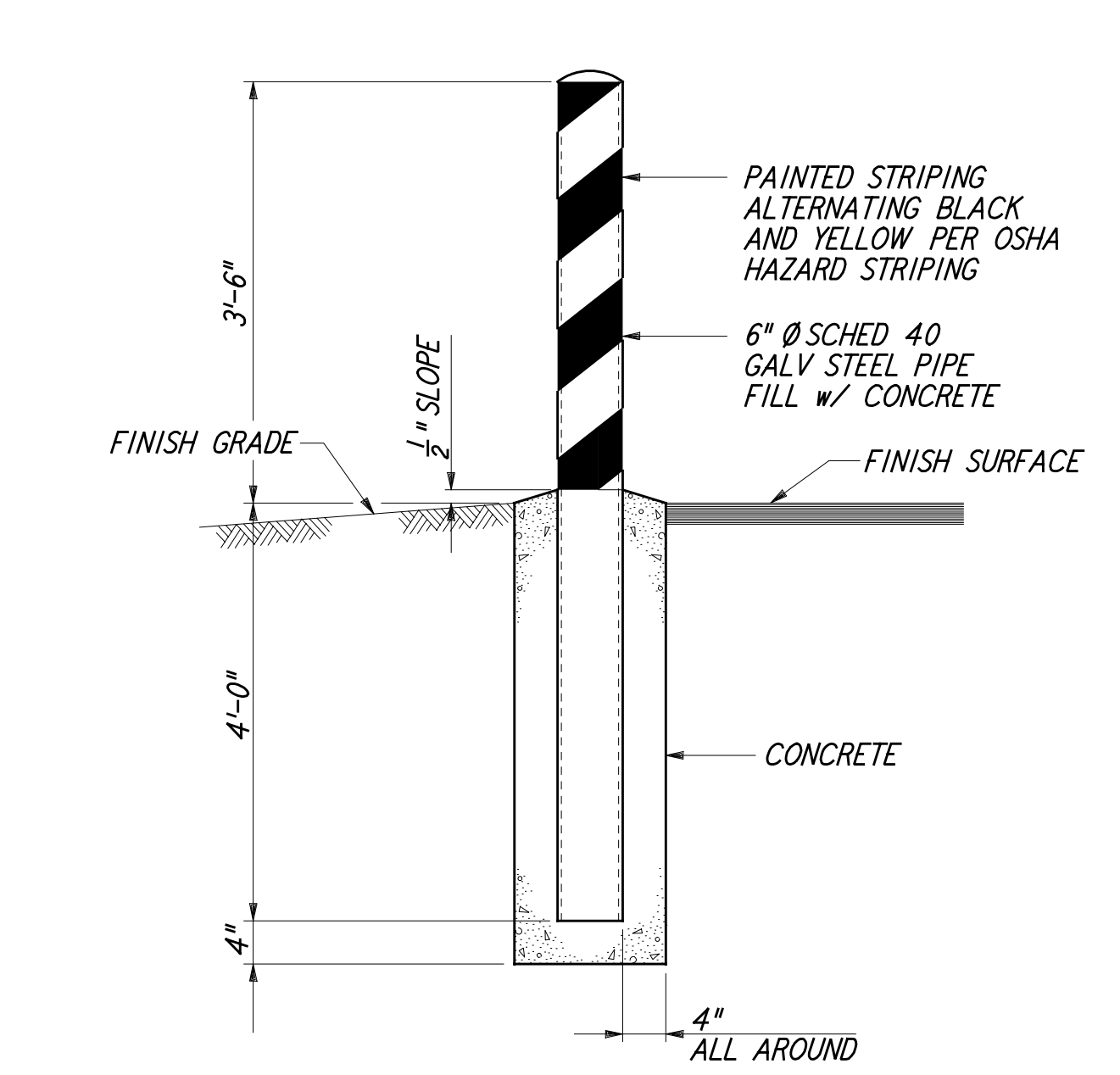
NOTE: DIMENSIONS AND CALLOUTS ARE TYPICAL FOR BOTH PLANS, UNLESS SHOWN OTHERWISE

REF: WA-C-052, WA-C-021, WA-C-025, WA-C-041, WA-C-045



GUARD POST
 NOT TO SCALE

REF: WA-C-052, WA-C-006, WA-C-055



BOLLARD
 NOT TO SCALE

REF: WA-C-052, WA-C-505, WA-C-006, WA-C-021, WA-C-025, WA-C-041, WA-C-045

NO.	DATE	BY	CHKD	ENGR	PROJ	DESCRIPTION
1	5/15/98	WRB				ISSUED FOR AS-BUILT

NO.	DATE	BY	CHKD	ENGR	PROJ	DESCRIPTION

AS-BUILT DRAWINGS

NO.	DATE	BY	CHKD	ENGR	PROJ	DESCRIPTION

PARSONS

100 WEST WALNUT STREET
 PASADENA, CALIFORNIA

LIGO

CALIFORNIA INSTITUTE OF TECHNOLOGY
 MASSACHUSETTS INSTITUTE OF TECHNOLOGY

LIGO-D960236-01-0

LASER INTERFEROMETER
 GRAVITATIONAL-WAVE OBSERVATORY
 SITE NO. 1 - HANFORD, WASHINGTON

TITLE	CIVIL SITEWORK DETAILS SHEET 2
SCALE	AS NOTED
DESIGN NUMBER	PP150969
PROJECT NUMBER	8094
SHEET NUMBER	WA-C-052
REVISIONS	