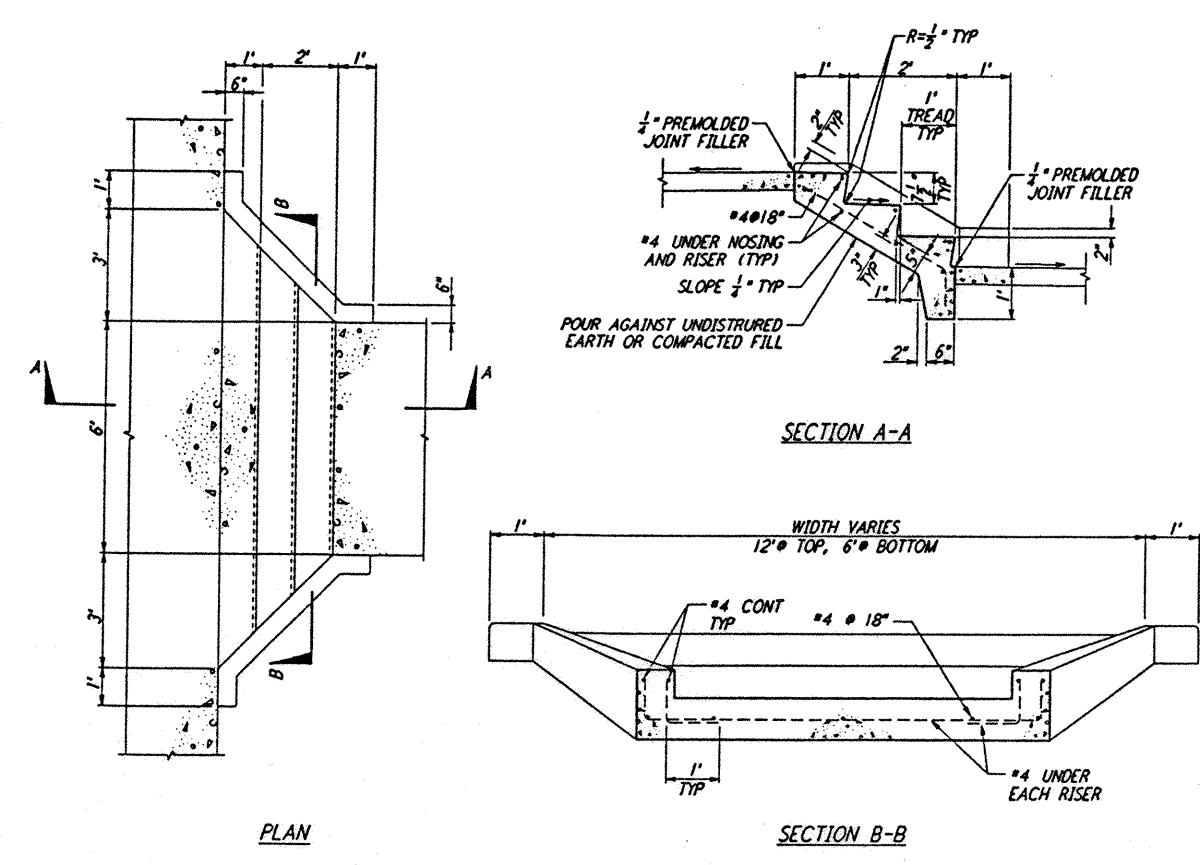
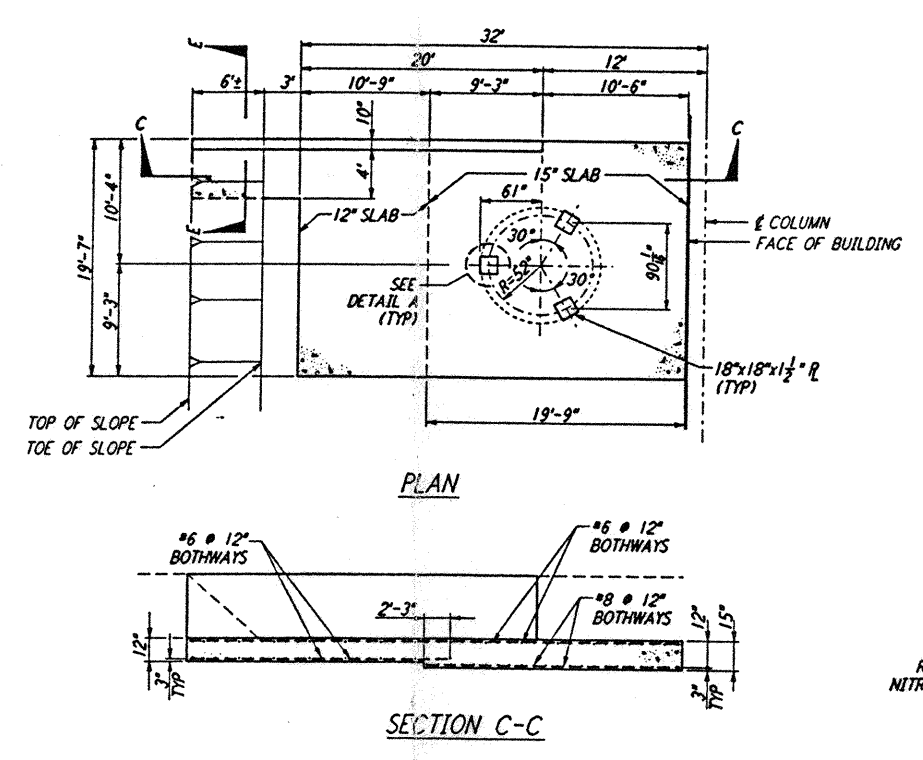


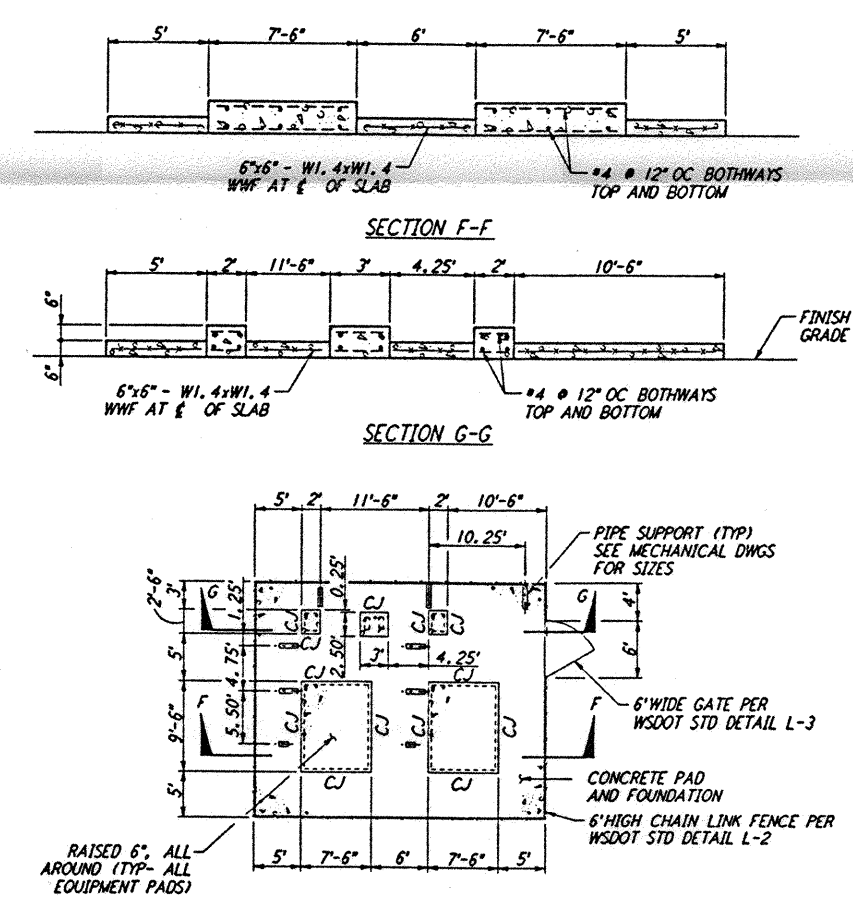
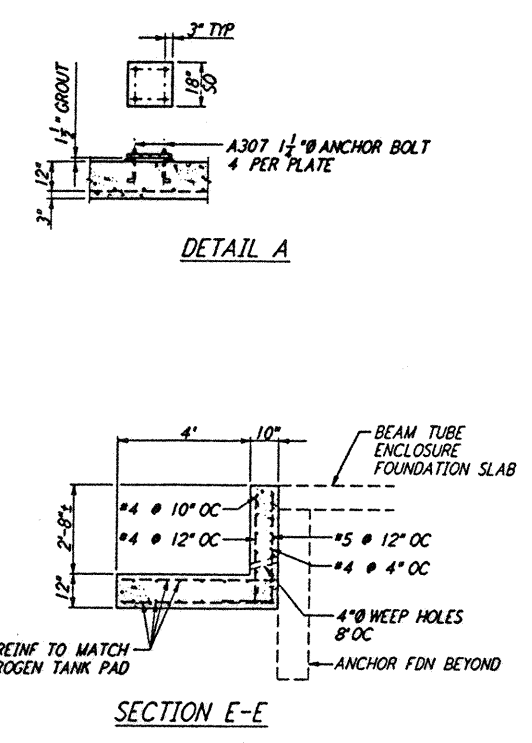
**NOTES:**  
 1. SEE SHEET WA-C-002 FOR GENERAL NOTES, LEGEND AND ABBREVIATIONS.



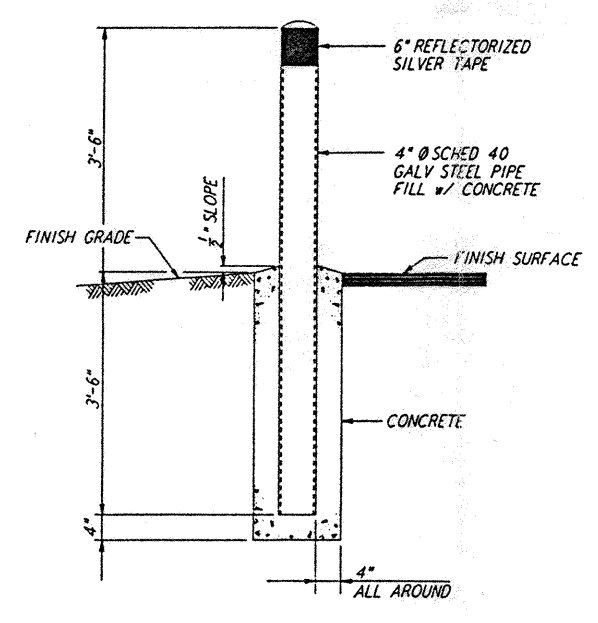
**CONCRETE STEPS**  
 NOT TO SCALE  
 REF: WA-C-052, WA-C-006, WA-C-505



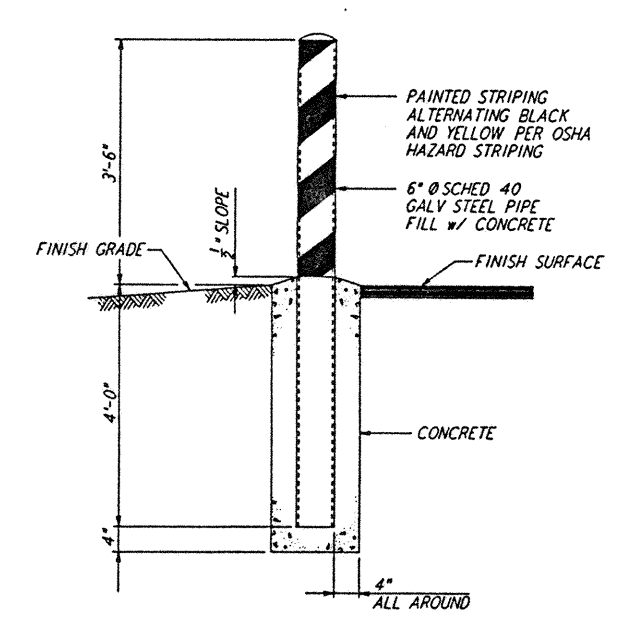
**CONCRETE FOUNDATION FOR LIQUID NITROGEN TANK**  
 NOT TO SCALE  
 NORTHWEST ARM ONLY  
 SOUTHWEST ARM BY OTHERS  
 REF: WA-C-052, WA-C-021, WA-C-025, WA-C-045, WA-C-505



**ENLARGED CHILLER YARD PLAN @ MID AND END STATIONS**  
 NOT TO SCALE  
 REF: WA-C-021, WA-C-025, WA-C-041, WA-C-045  
 NOTE:  
 FOR MID AND END STATIONS - NORTHWEST ARM, USE PLAN AS SHOWN.  
 FOR MID AND END STATIONS - SOUTHWEST ARM, PLAN IS ROTATED 90° AND MIRRORED ABOUT THE BEAM TUBE.



**GUARD POST**  
 NOT TO SCALE  
 REF: WA-C-052, WA-C-055



**BOLLARD**  
 NOT TO SCALE  
 REF: WA-C-052, WA-C-006, WA-C-021, WA-C-025, WA-C-041, WA-C-045, WA-C-505

This document and the design it covers are the property of PARSONS. They are loaned only with the borrower's expressed written agreement that they will not be reproduced, copied, loaned, exhibited, or used in any other way, except by written consent from PARSONS to the borrower.

NO.	DATE	BY	CHKD	ENGR	PROJ	DESCRIPTION
A	4/19/96	WRB				FINAL DESIGN REVIEW & BID

**PARSONS**  
 100 WEST WALNUT STREET  
 PASADENA, CALIFORNIA

**LIGO**  
 CALIFORNIA INSTITUTE OF TECHNOLOGY  
 MASSACHUSETTS INSTITUTE OF TECHNOLOGY

LASER INTERFEROMETER  
 GRAVITATIONAL-WAVE OBSERVATORY  
 SITE NO. 1 - HANFORD, WASHINGTON

CIVIL SITEWORK DETAILS  
 SHEET 2

AS NOTED PPI50969 8094  
**WA-C-052**

LIGO-D960236-A-□