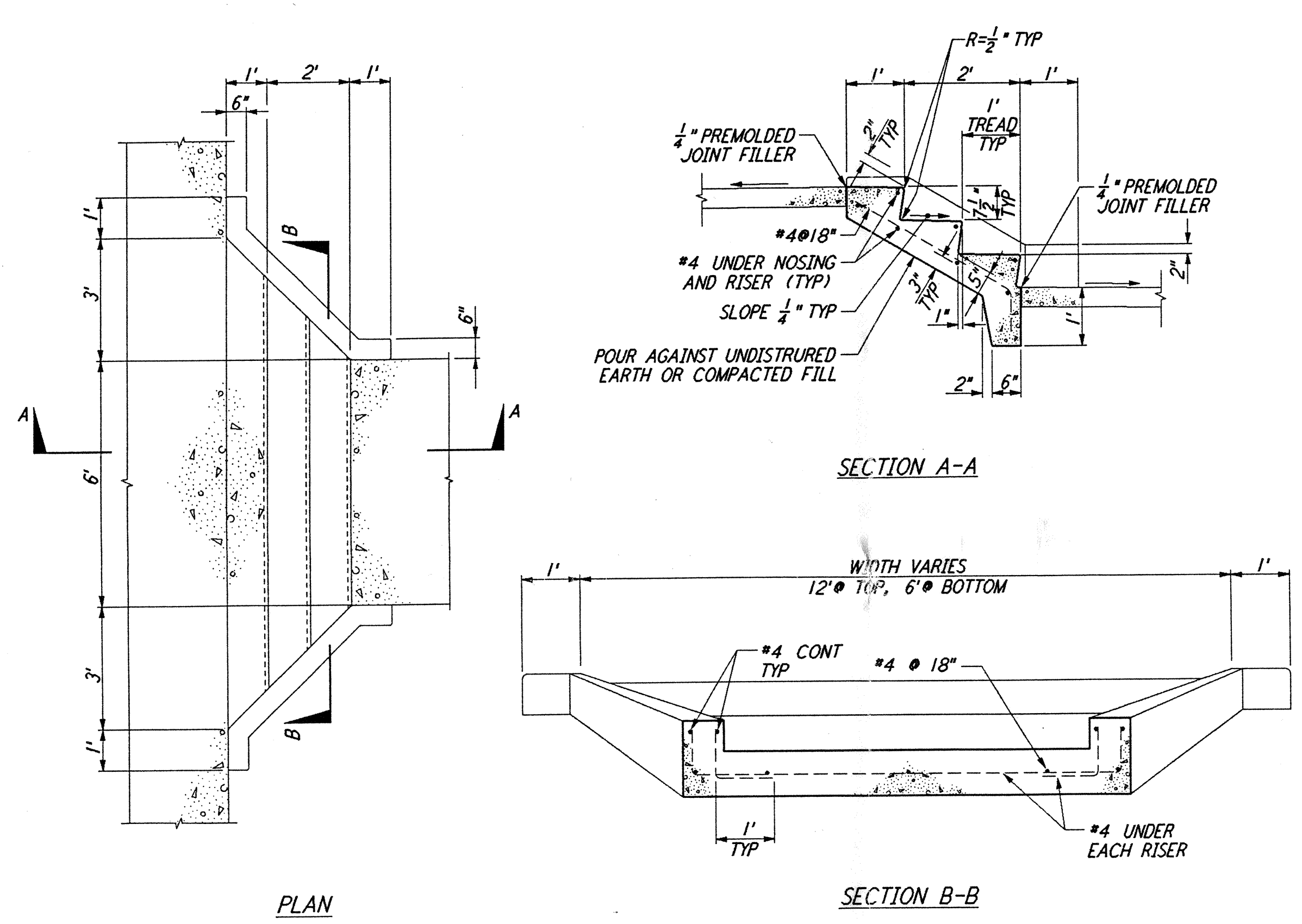
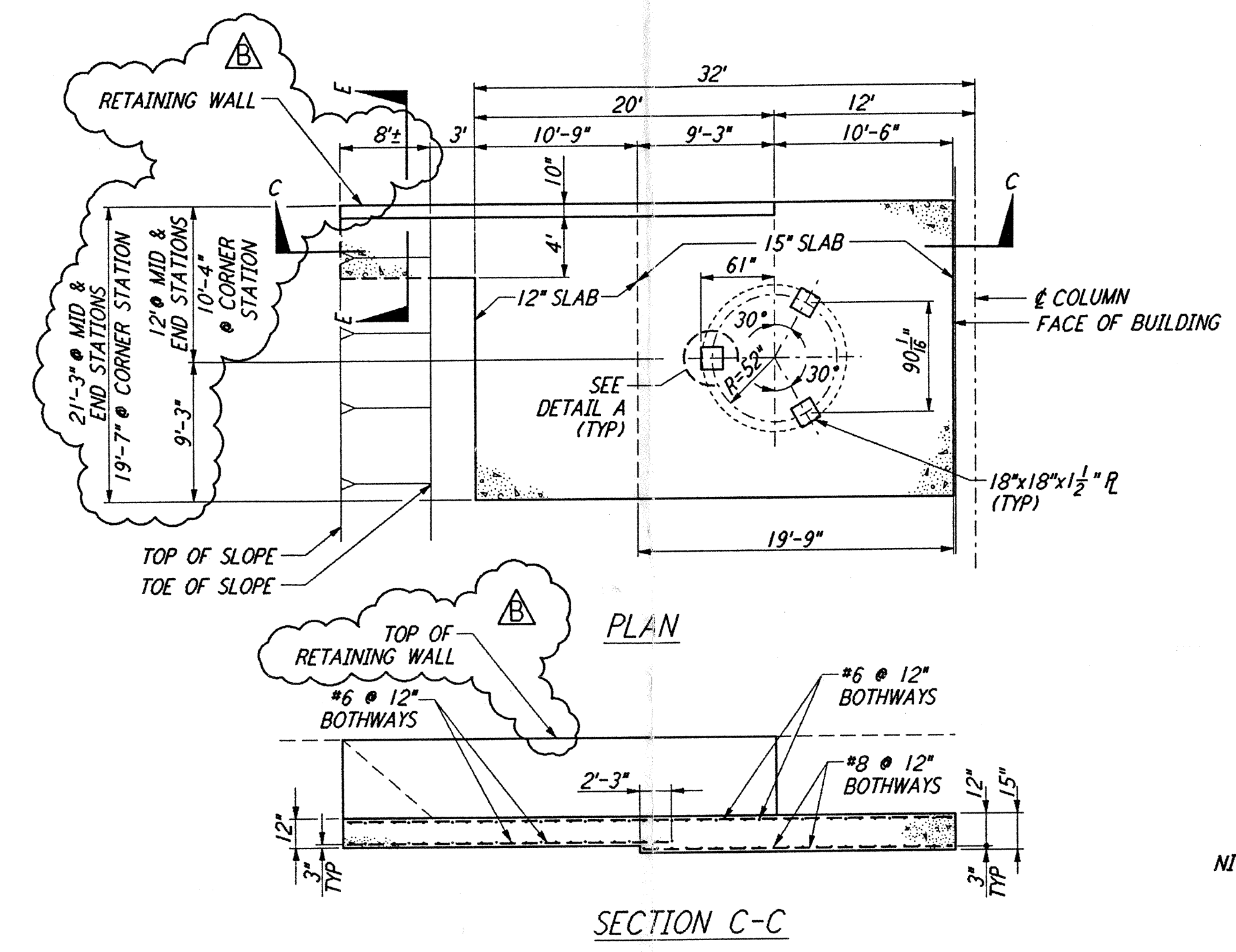


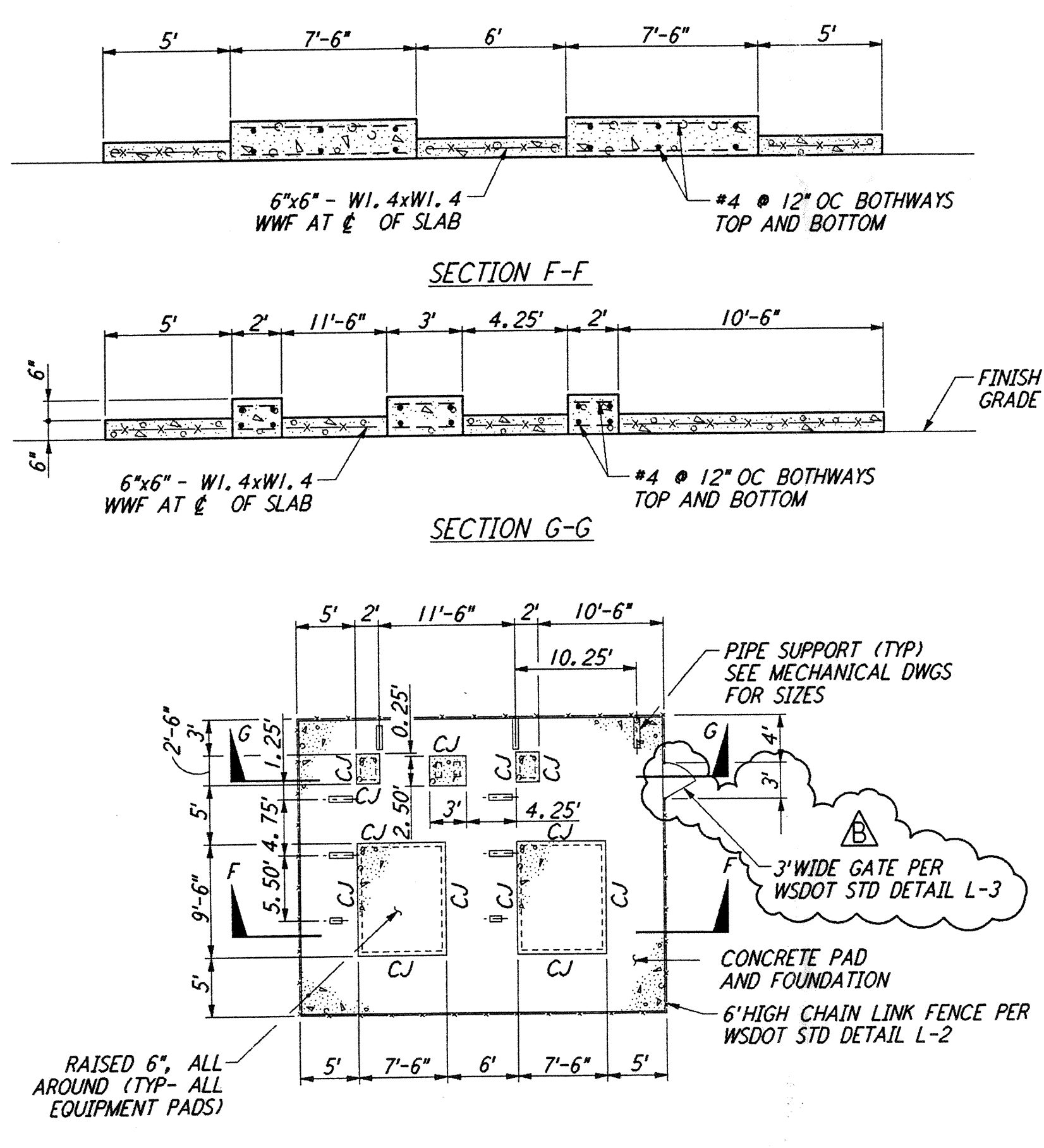
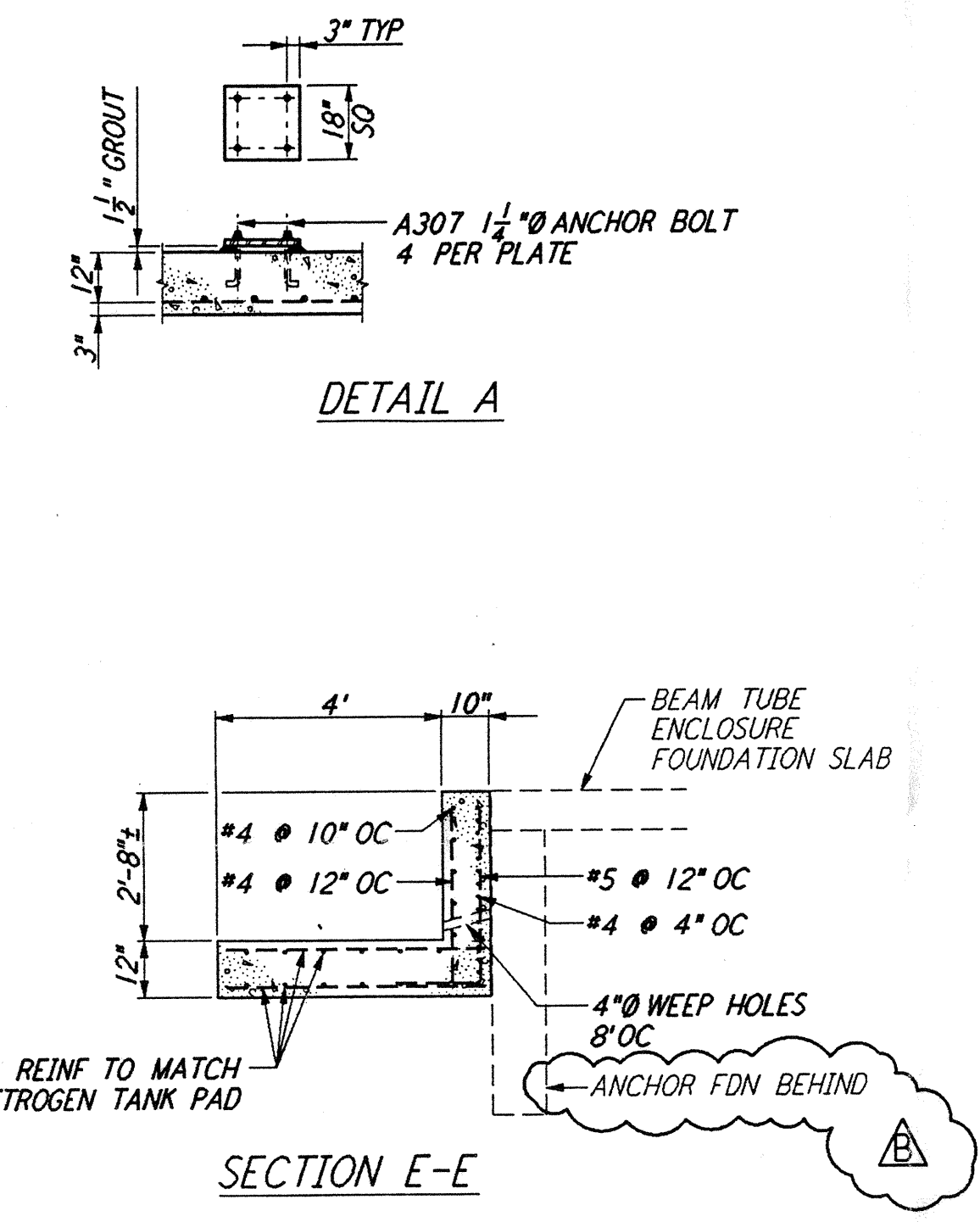
NOTES:
 1. SEE SHEET WA-C-002 FOR GENERAL NOTES, LEGEND AND ABBREVIATIONS.



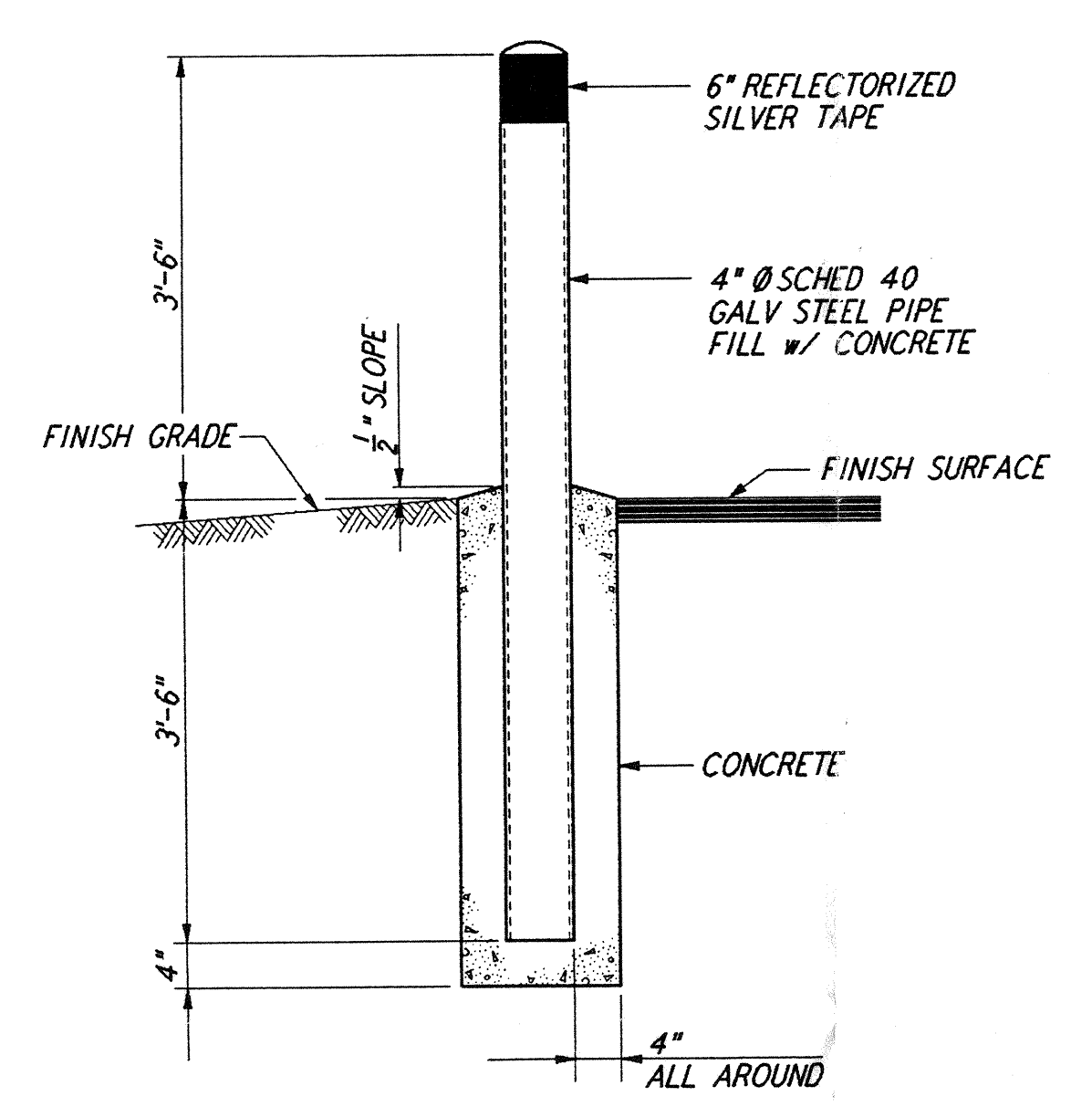
CONCRETE STEPS
 NOT TO SCALE
 REF: WA-C-052, WA-C-005, WA-C-006, WA-C-505



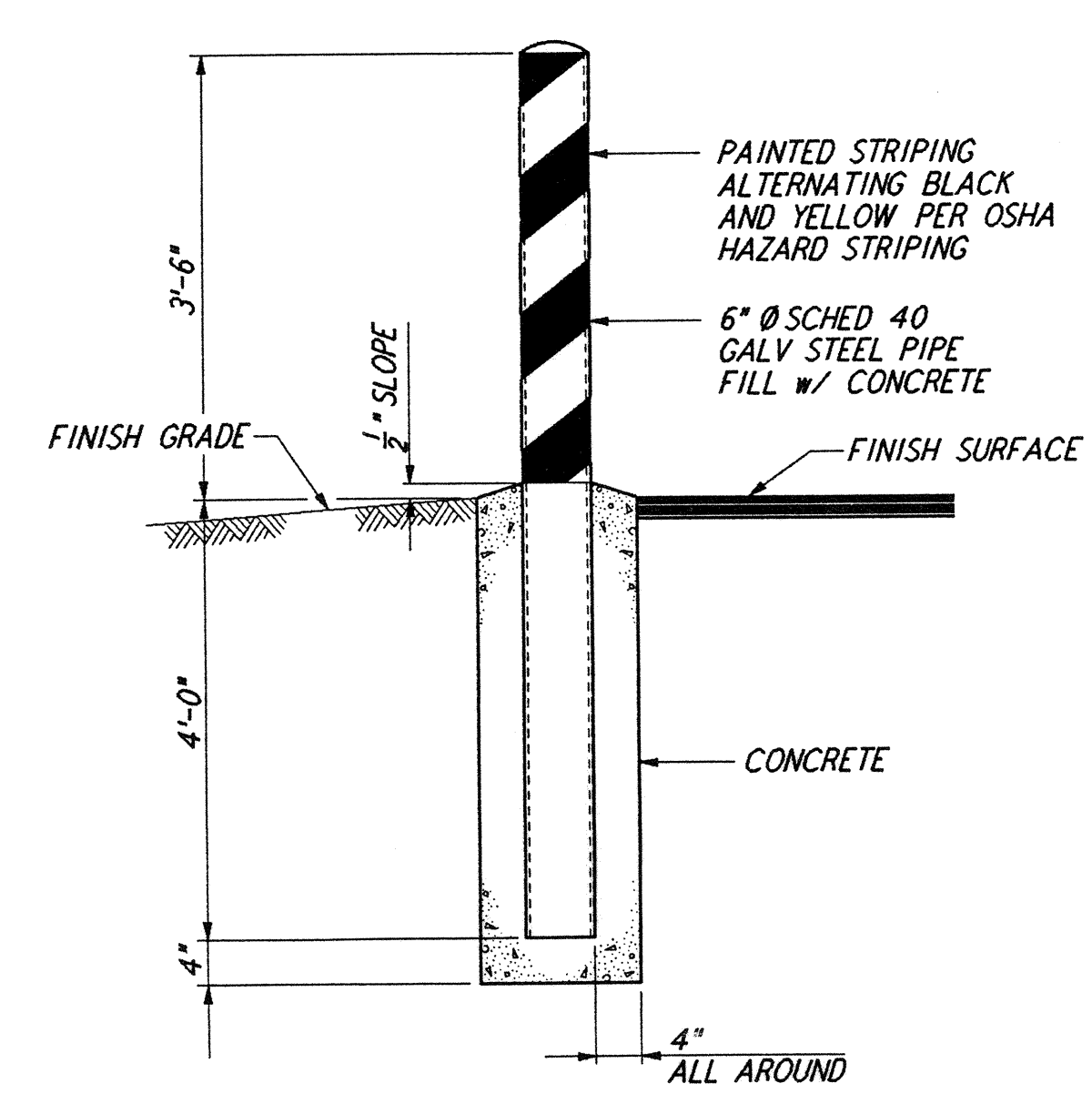
CONCRETE FOUNDATION FOR LIQUID NITROGEN TANK
 NOT TO SCALE
 REF: WA-C-052, WA-C-005, WA-C-021, WA-C-025, WA-C-041, WA-C-045, WA-C-505



ENLARGED CHILLER YARD PLAN @ MID AND END STATIONS
 NOT TO SCALE
 REF: WA-C-052, WA-C-021, WA-C-025, WA-C-041, WA-C-045
 NOTE: FOR MID AND END STATIONS - NORTHWEST ARM, USE PLAN AS SHOWN. FOR MID AND END STATIONS - SOUTHWEST ARM, PLAN IS ROTATED 90° AND MIRRORED ABOUT THE BEAM TUBE CENTERLINE.



GUARD POST
 NOT TO SCALE
 REF: WA-C-052, WA-C-006, WA-C-055



BOLLARD
 NOT TO SCALE
 REF: WA-C-052, WA-C-005, WA-C-006, WA-C-021, WA-C-025, WA-C-041, WA-C-045, WA-C-505

not be reproduced, copied, loaned, exhibited, or used in any other way, except by written consent from PARSONS to the borrower.

This document and the design it covers are the property of PARSONS. They are loaned only with the borrower's expressed written agreement that they will

NO.	DATE	BY	CHKD	ENGR	PROJ	DESCRIPTION
B	5/22/96	WRB	ML			BID ADDENDUM #2
A	4/19/96	WRB	ML	JB	MDW	FINAL DESIGN REVIEW & BID

DRAWN	WRB
CHECKED	
ENGINEER	
PROJ	

PARSONS
 100 WEST WALNUT STREET
 PASADENA, CALIFORNIA

LIGO
 CALIFORNIA INSTITUTE OF TECHNOLOGY
 MASSACHUSETTS INSTITUTE OF TECHNOLOGY

LASER INTERFEROMETER
 GRAVITATIONAL-WAVE OBSERVATORY
 SITE NO. 1 - HANFORD, WASHINGTON

CIVIL
 SITWORK DETAILS
 SHEET 2

SCALE: AS NOTED
 CONTRACT NUMBER: PP150969
 PROJECT NUMBER: 8094

WA-C-052

LIGO-D960236-B-0

LIGOWAF3.BDR