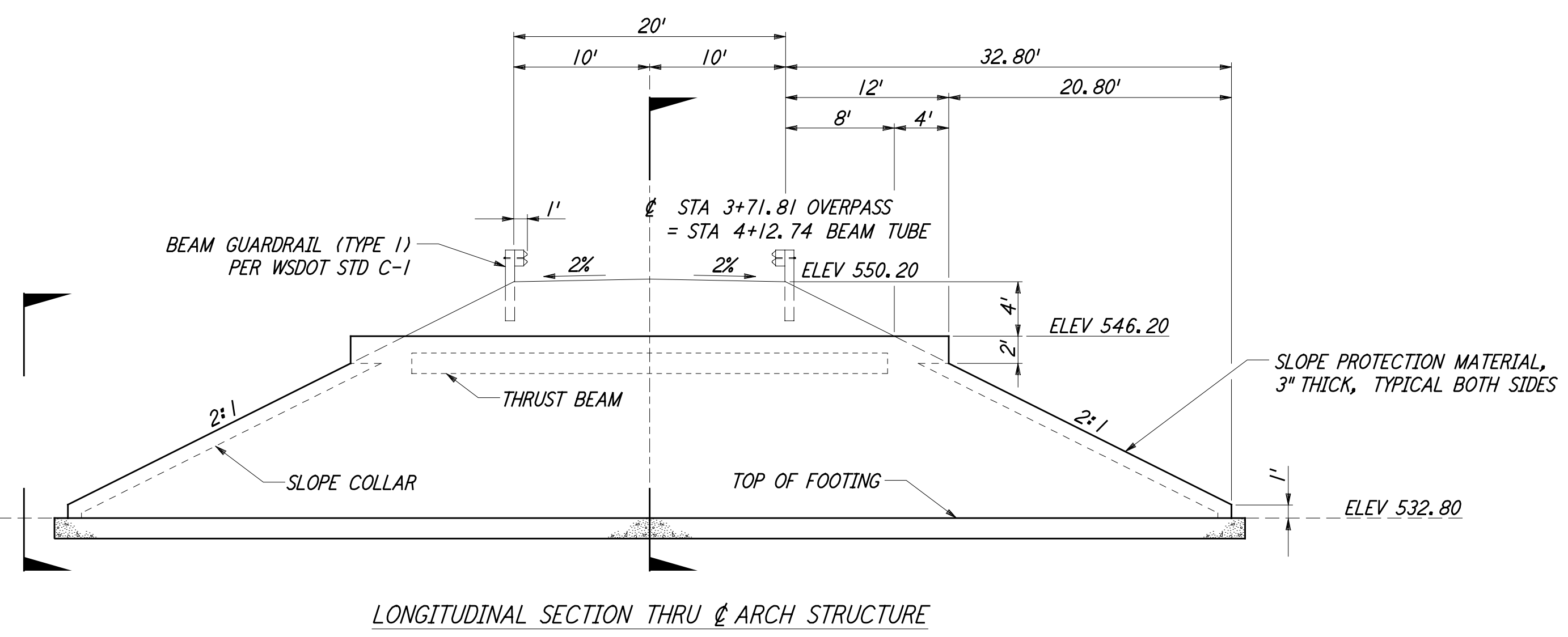
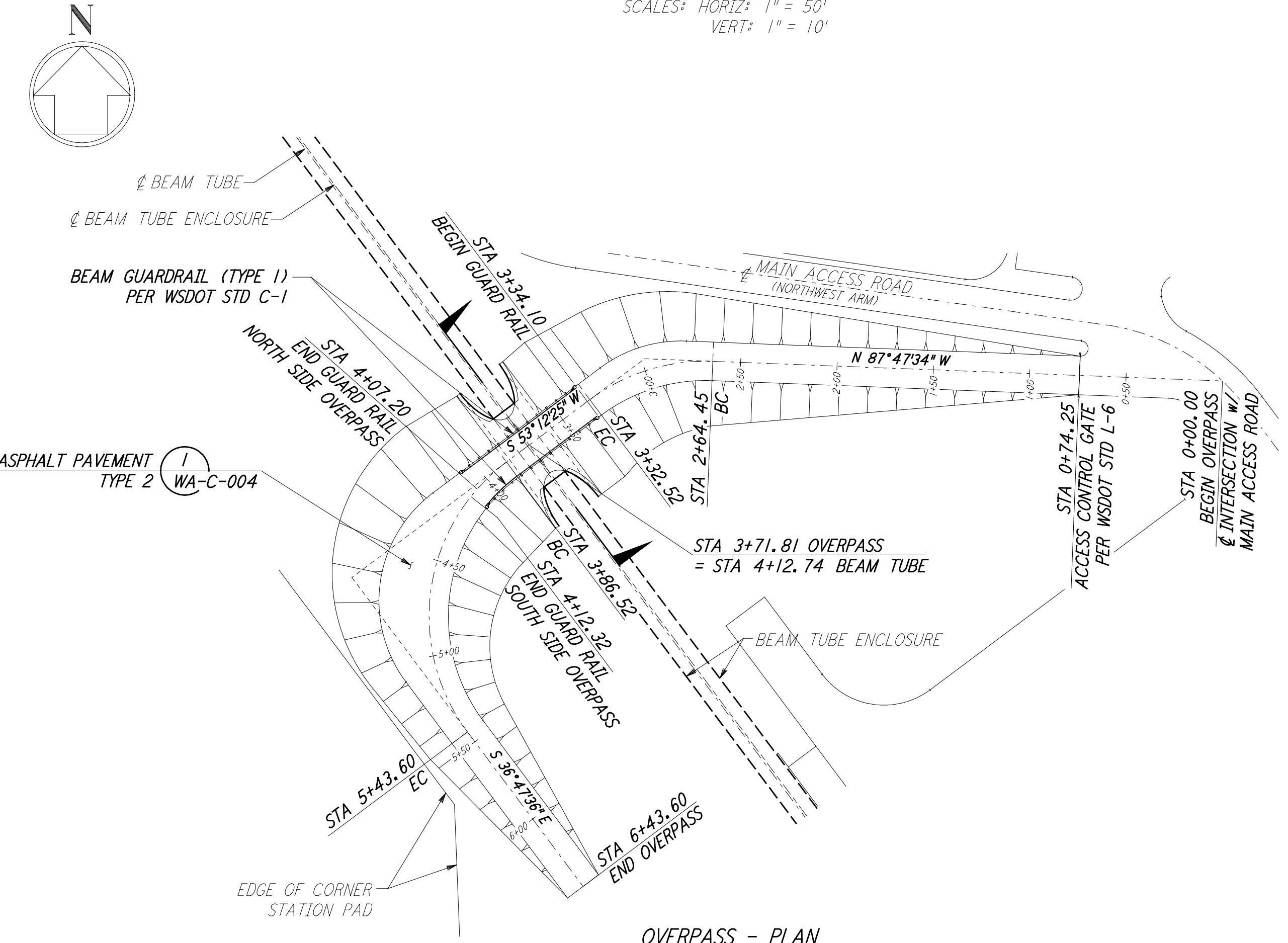


PROFILE ALONG @ OVERPASS
 SCALES: HORIZ: 1" = 50'
 VERT: 1" = 10'

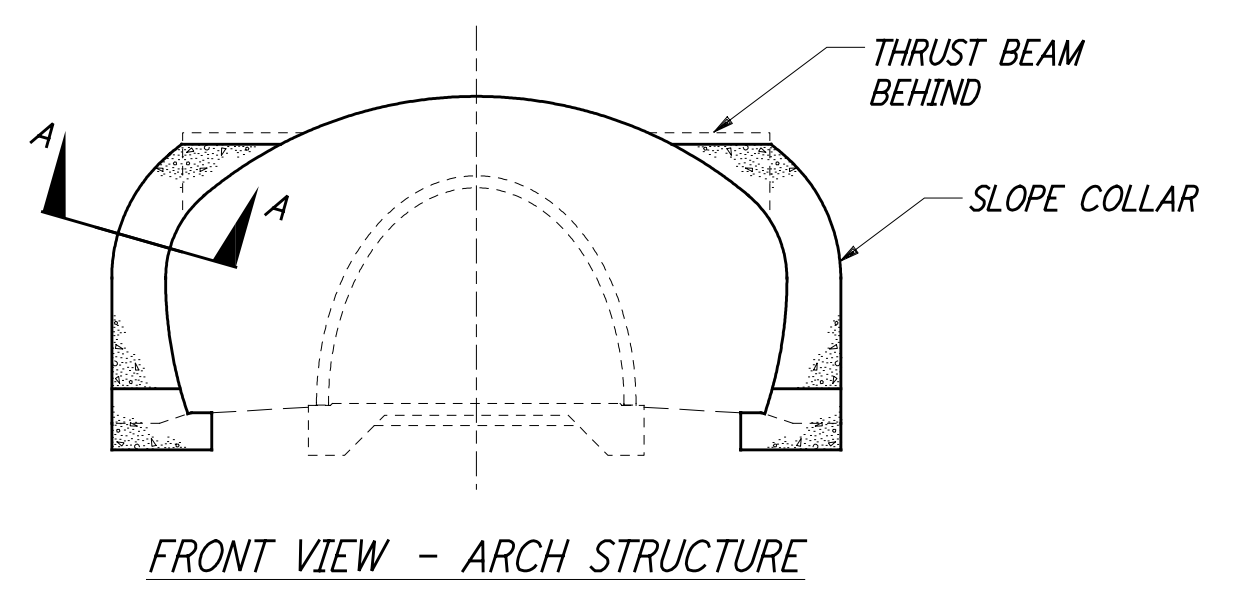


LONGITUDINAL SECTION THRU @ ARCH STRUCTURE

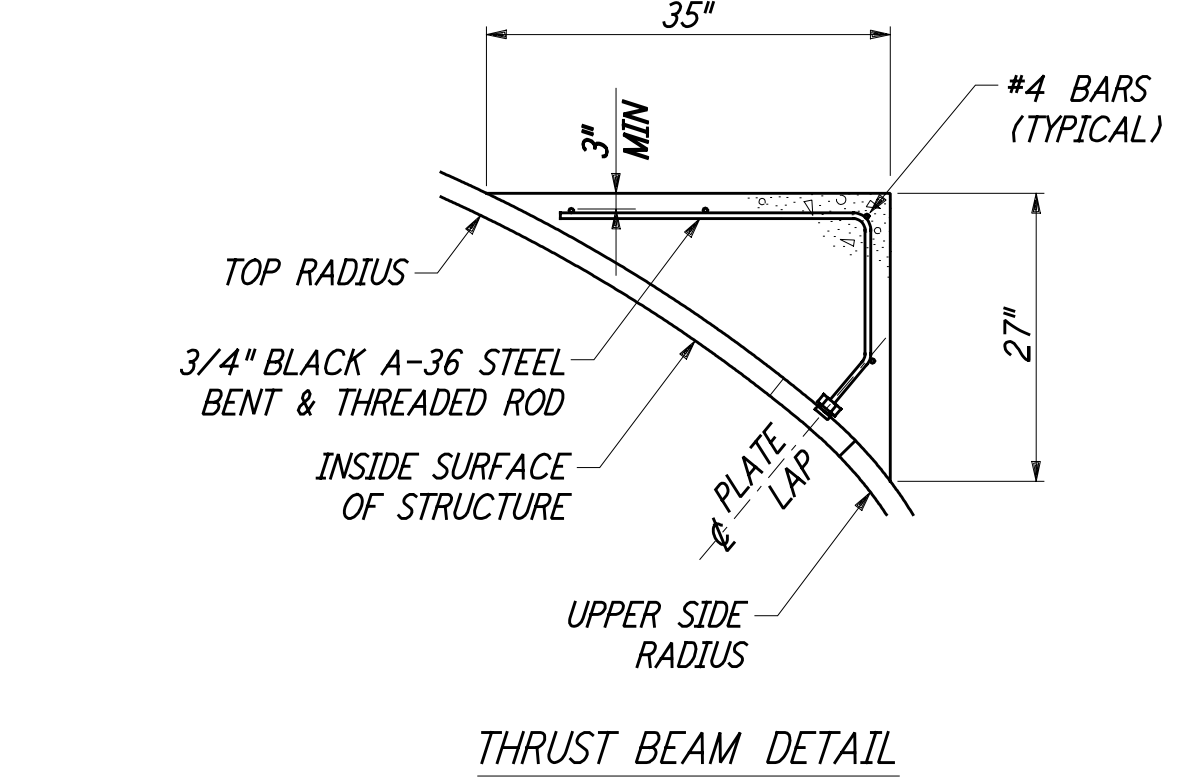
NOTES:
 1. SEE SHEET WA-C-002 FOR GENERAL NOTES, LEGEND AND ABBREVIATIONS.



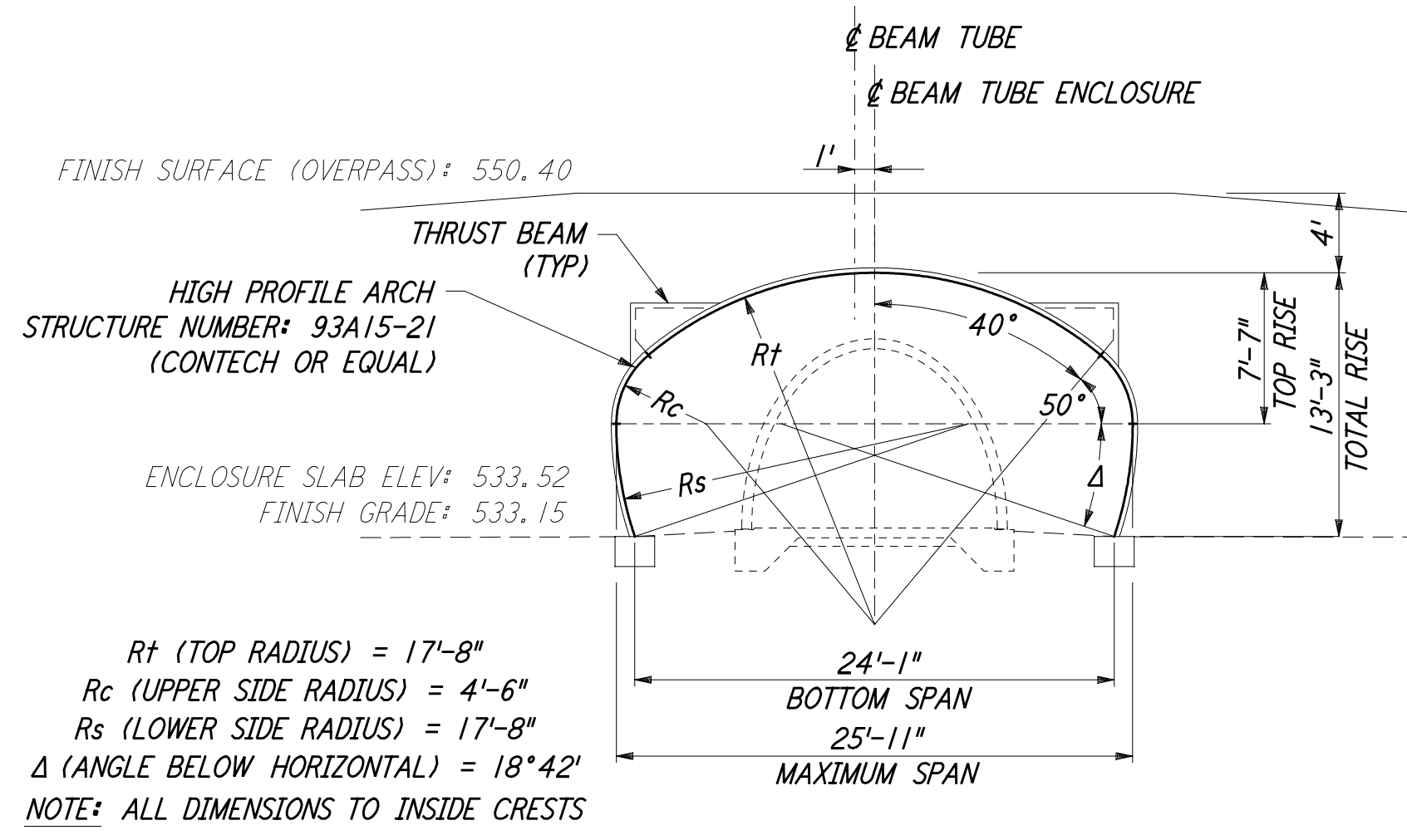
OVERPASS - PLAN
 SCALE: 1" = 50'



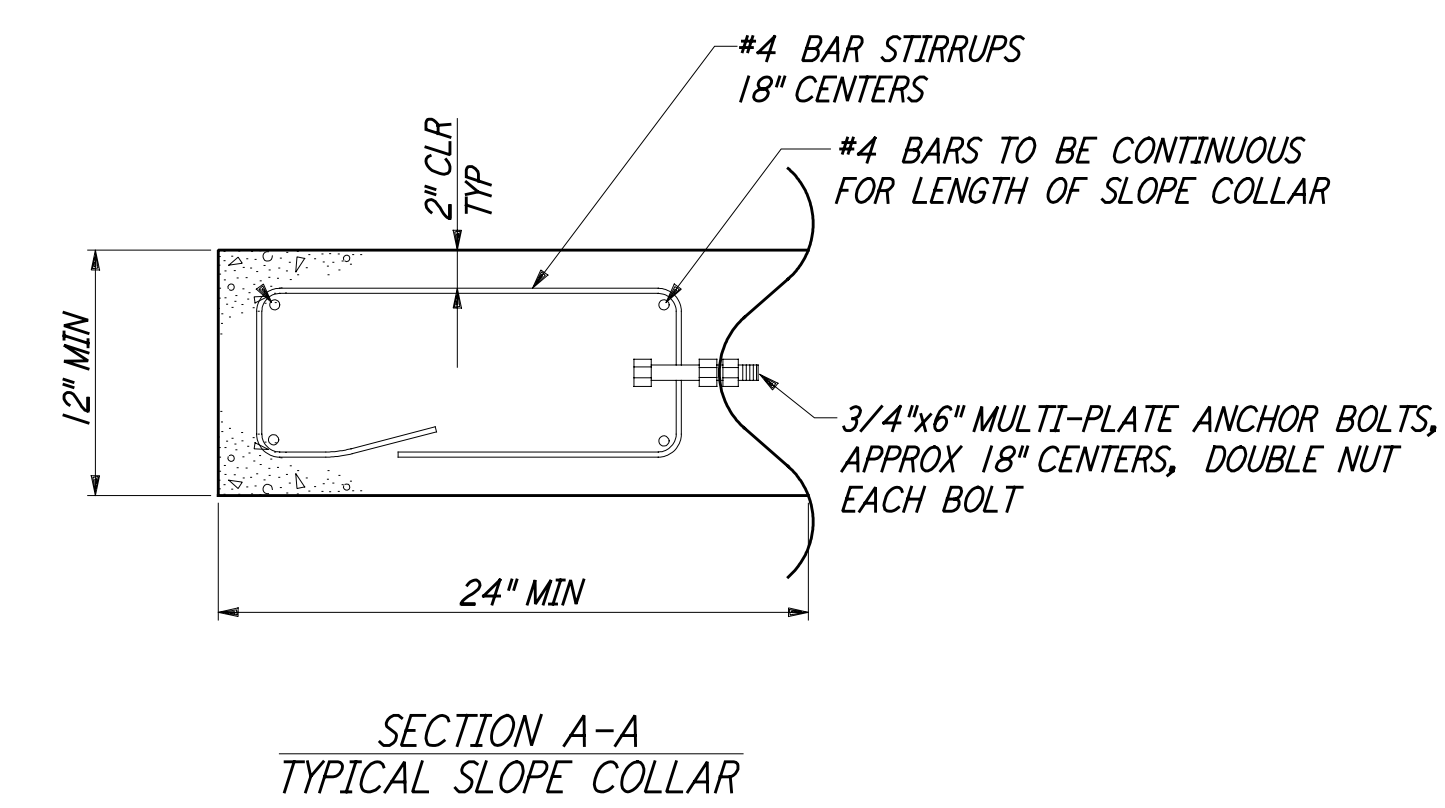
FRONT VIEW - ARCH STRUCTURE



THRUST BEAM DETAIL

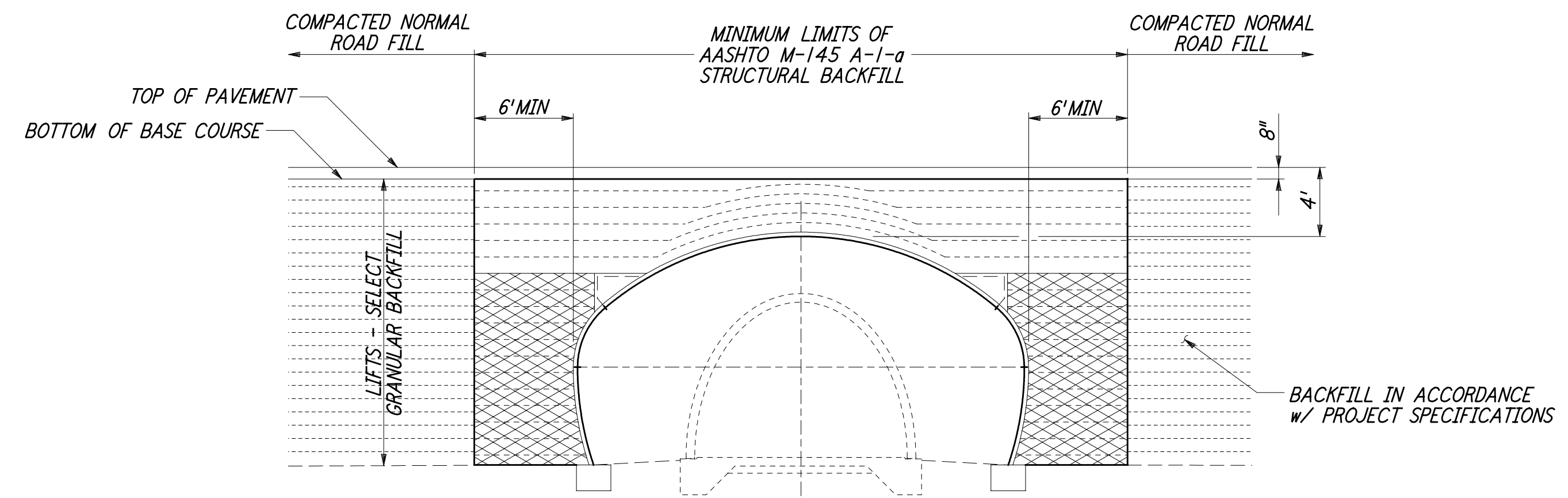


SECTION THRU ARCH STRUCTURE



SECTION A-A
 TYPICAL SLOPE COLLAR

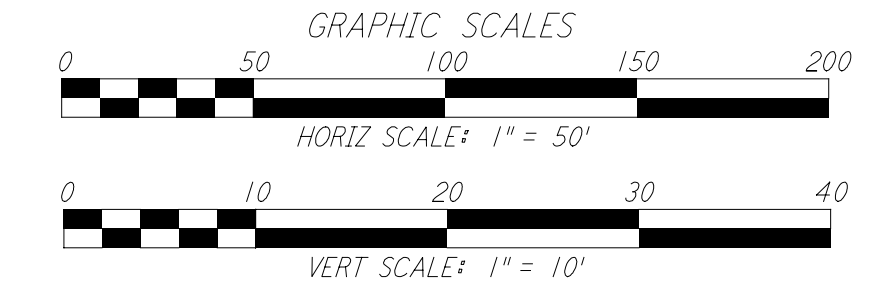
OVERPASS 1
 NOT TO SCALE
 REF: WA-C-053, WA-C-505, WA-C-507



BACKFILL REQUIREMENTS FOR ARCH STRUCTURE

NOTES: (STEEL LONG SPAN STRUCTURES)

- THE LONG SPAN STEEL STRUCTURAL PLATE STRUCTURE, CONFORMING TO THE DIMENSIONS SHOWN ON THE PLANS AND SPECIFICATIONS, SHALL BE DESIGNED AND INSTALLED BY THE CONTRACTOR AT THE LOCATION DESIGNATED. THE DESIGN AND INSTALLATION SHALL CONFORM TO AASHTO STANDARD SPECIFICATIONS FOR HIGHWAY BRIDGES, DIVISION I, "SOIL-CORRUGATED METAL STRUCTURE INTERACTION SYSTEMS", SECTION 12.7, "LONG SPAN STRUCTURAL PLATE STRUCTURES", AND DIVISION II, SECTION 26, "METAL CULVERTS" AND DIVISION II, SECTION 8, "CONCRETE STRUCTURES". THE DESIGN SHALL BE FOR STANDARD H20 LOADING WITH CONSIDERATION FOR CORROSION AND DURABILITY INCLUDED.
- THE GALVANIZED STEEL STRUCTURAL PLATE SHALL HAVE 6" x 2" CORRUGATIONS AND SHALL BE 8 GAGE MINIMUM THICKNESS. THE PLATES SHALL BE MANUFACTURED IN CONFORMANCE WITH AASHTO SPECIFICATION M 167. BOLTS AND NUTS SHALL MEET THE PROVISIONS OF ASTM A 449 AND ASTM A 563, GRADE C, RESPECTIVELY, AND SHALL BE GALVANIZED IN ACCORDANCE WITH THE REQUIREMENTS OF ASTM A 153, CLASS C. THE STEEL ANCHOR BOLTS SHALL CONFORM TO ASTM 307, GRADE A.
- LONGITUDINAL STIFFENERS SHALL BE LOCATED AT THE RADIUS TRANSITION AT THE ENDS OF THE TOP ARC. THE THRUST BEAMS SHALL CONSIST OF REINFORCED CONCRETE CONFORMING TO DIVISION II, SECTION 8, CLASS B OF THE AASHTO STANDARD SPECIFICATIONS FOR HIGHWAY BRIDGES HAVING A MINIMUM COMPRESSION STRENGTH OF 2400 PSI. REINFORCING STEEL SHALL CONFORM TO ASTM A 615, GRADE 40, HAVING A MINIMUM YIELD STRENGTH OF 40,000 PSI. THRUST BEAMS SHALL BE FORMED AND POURED CONFORMING TO THE PLAN DIMENSIONS WHEN THE BACKFILL REACHES THE BOTTOM ELEVATION OF THE THRUST BEAMS.
- THE LONG SPAN STRUCTURE SHALL BE DESIGNED IN ACCORDANCE WITH THE LATEST AASHTO DESIGN CRITERIA AND SHALL BE REQUIRED TO INCORPORATE THE USE OF CONTINUOUS LONGITUDINAL STRUCTURAL STIFFENERS (CONCRETE THRUST BEAMS). THE MATERIAL SUPPLIER SHALL BE A QUALIFIED MANUFACTURER OF STEEL STRUCTURAL PLATE AND LONG SPAN STRUCTURES WITH A MINIMUM OF 50 SUCCESSFUL INSTALLATIONS. THE FOUNDATION, STRUCTURAL BACKFILL AND END TREATMENT SHALL BE AS REQUIRED HEREIN AND DETAILED ON THE PLANS.
- THE STRUCTURE SHALL BE ERECTED IN STRICT ACCORDANCE WITH THE MANUFACTURER'S INSTRUCTIONS AND TO THE DESIGN SHAPE SHOWN ON THE PLANS. PLATES SHALL BE ASSEMBLED ACCORDING TO PLATE ASSEMBLY DRAWINGS SUPPLIED BY THE MANUFACTURER.
- BACKFILL SHALL BE IN ACCORDANCE WITH AASHTO SPECIFICATION M-145, GRADE A-1-a, AND COMPACTED PER MANUFACTURER'S RECOMMENDATIONS.
- THE MANUFACTURER SHALL SUPPLY A QUALIFIED REPRESENTATIVE TO MONITOR THE INSTALLATION AND BACKFILLING OF THE STRUCTURE.
- APPROPRIATE LIGHT WEIGHT EQUIPMENT SHALL BE USED TO FILL AND COMPACT AROUND STRUCTURE IN ACCORDANCE WITH MANUFACTURER'S RECOMMENDATIONS.
- THE PREVIOUS ROUGH GRADING CONTRACTOR HAS COMPACTED THE FILL TO 95% OF MAXIMUM DRY DENSITY AS MEASURED BY ASTM D-1557. THE GEOTECHNICAL ENGINEER HAS ESTIMATED AN ALLOWABLE BEARING PRESSURE OF 2000 PSI FOR COMPACTED FILL SOILS.
- CONTRACTOR SHALL SUBMIT DESIGN FOR REVIEW PRIOR TO CONSTRUCTION OF ARCH STRUCTURE.
- THE LONG SPAN STEEL STRUCTURE AND FOUNDATION SHALL BE DESIGNED BY A LICENSED ENGINEER IN THE STATE OF WASHINGTON.
- THE CONTRACTOR SHALL TAKE EXTREME CARE NOT TO DAMAGE THE BEAM TUBE ENCLOSURE WHILE CONSTRUCTING THE OVERPASS. ANY DAMAGE TO BEAM TUBE ENCLOSURE DUE TO OVERPASS CONSTRUCTION SHALL BE AT CONTRACTOR'S COST.



LIGO-D960237-01-0

NO.	DATE	BY	CHKD	ENGR	PROJ	DESCRIPTION
1	5/15/98	WRB				ISSUED FOR AS-BUILT

NO.	DATE	BY	CHKD	ENGR	PROJ	DESCRIPTION

FOR CONSTRUCTION
 DRAWN: WRB 9/28/95
 CHECKED: ML 7/9/96
 ENGINEER: JB 7/9/96
 PROJ: MDW 7/9/96

AS-BUILT DRAWINGS

PARSONS
 100 WEST WALNUT STREET
 PASADENA, CALIFORNIA

LIGO
 CALIFORNIA INSTITUTE OF TECHNOLOGY
 MASSACHUSETTS INSTITUTE OF TECHNOLOGY

LASER INTERFEROMETER
 GRAVITATIONAL-WAVE OBSERVATORY
 SITE NO. 1 - HANFORD, WASHINGTON

CIVIL GRADING SECTIONS & DETAILS SHEET 1

SCALE: AS NOTED
 SHEET NUMBER: PP150969
 PROJECT NUMBER: 8094
WA-C-053

This document and the design it covers are the property of PARSONS. They are loaned only with the borrower's expressed written agreement that they will not be reproduced, copied, loaned, exhibited, or used in any other way, except by written consent from PARSONS to the borrower.