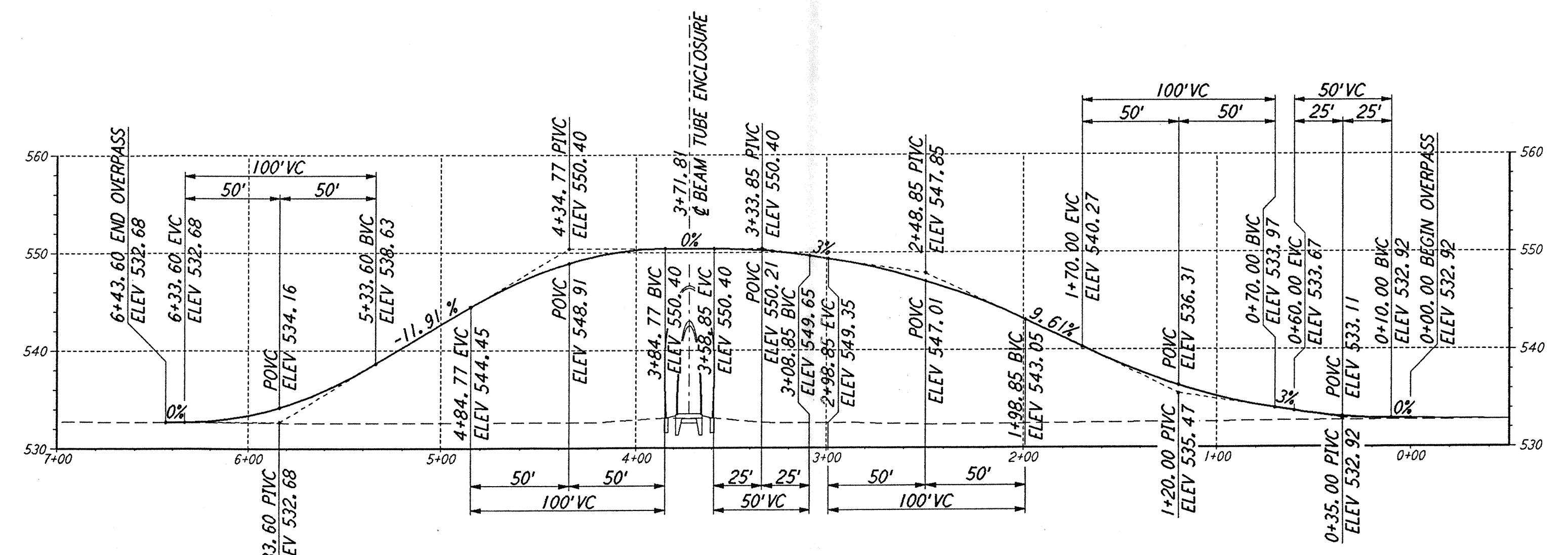
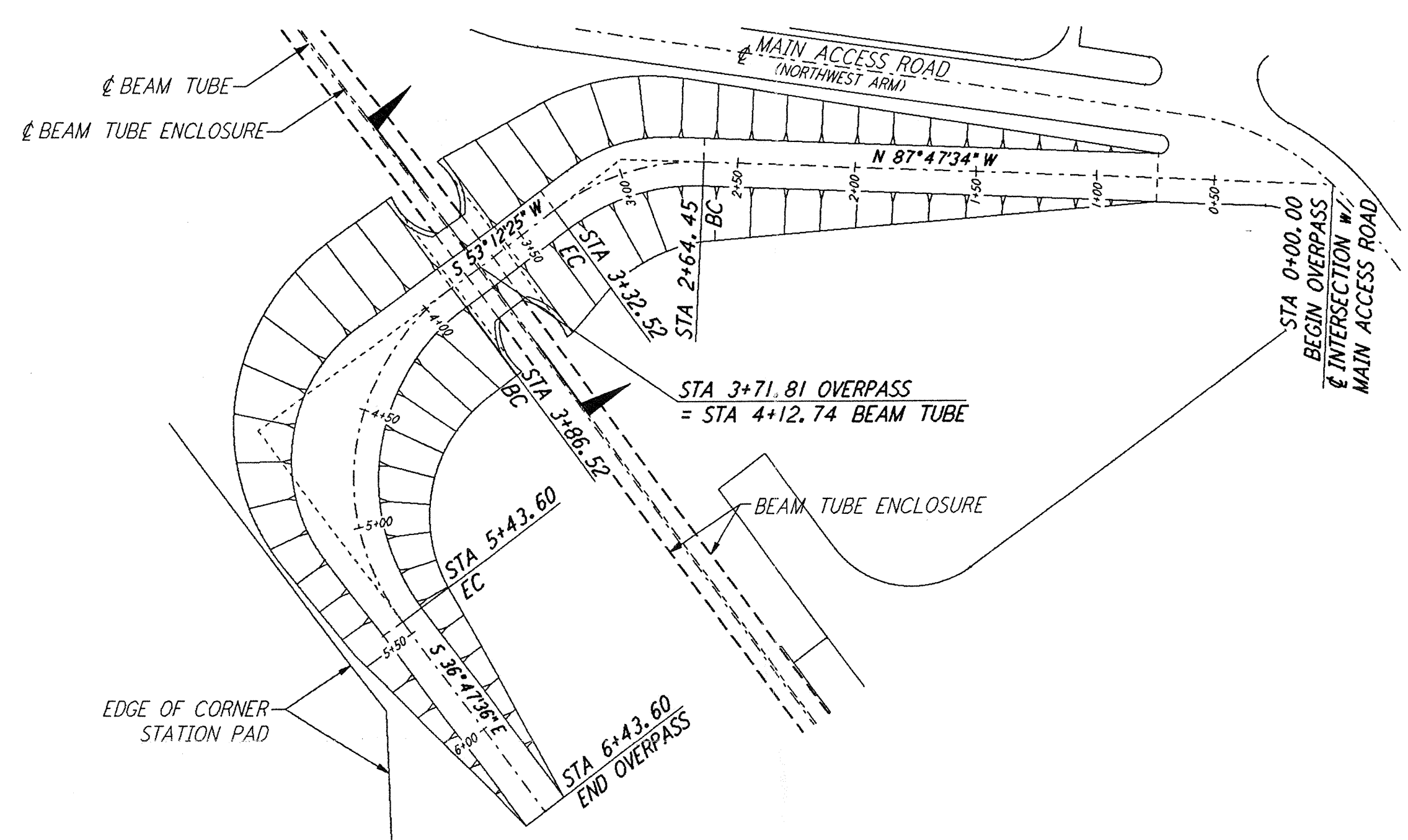


This document and the design it covers are the property of PARSONS. They are loaned only with the borrower's expressed written agreement that they will not be reproduced, copied, loaned, exhibited, or used in any other way, except by written consent from PARSONS to the borrower.



**PROFILE ALONG @ OVERPASS**  
 SCALES: HORIZ: 1" = 50'  
 VERT: 1" = 10'



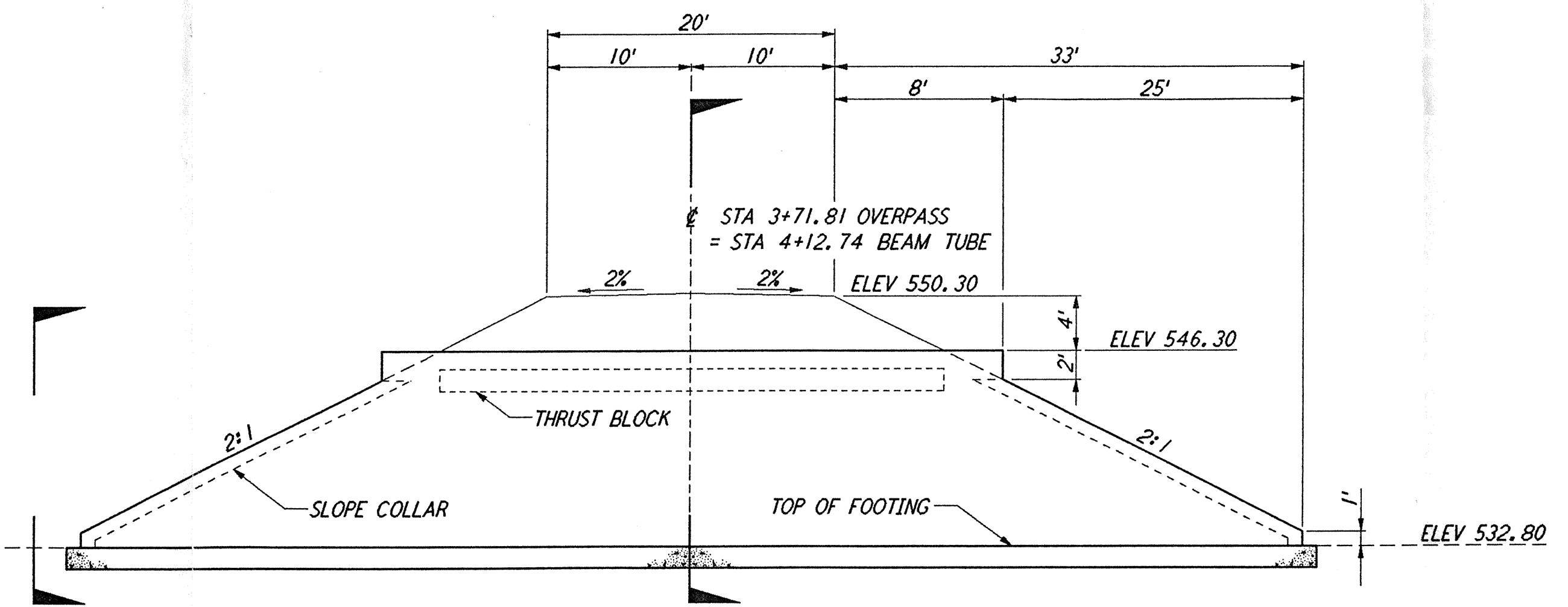
**OVERPASS - PLAN**  
 SCALE: 1" = 50'

**OVERPASS**

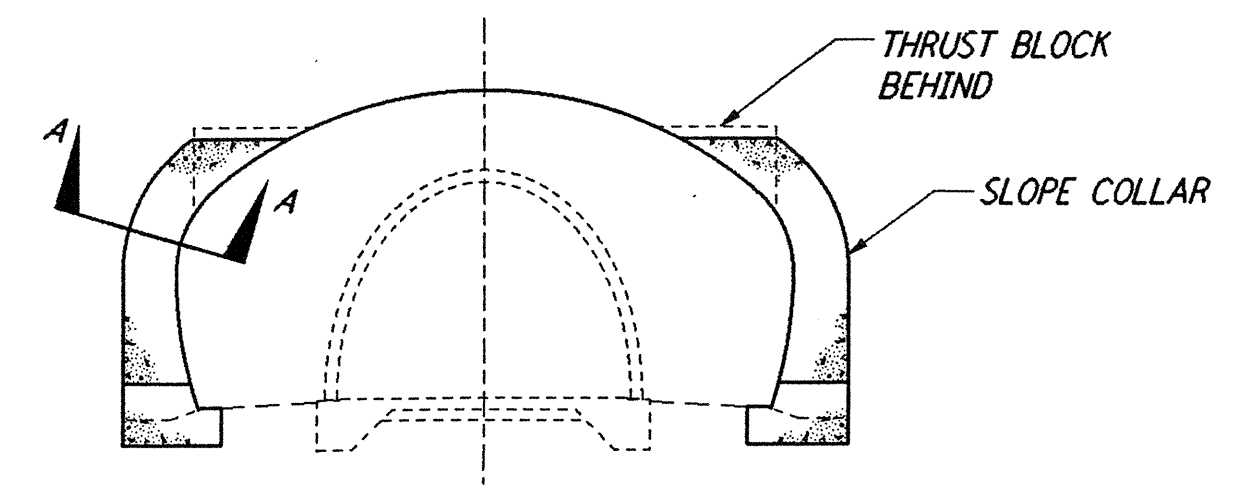
NO.	DATE	BY	CHKD	ENGR	PROJ	DESCRIPTION
A	4/19/96	WRB	WJG	WJG		FINAL DESIGN REVIEW & BID

NOT TO SCALE

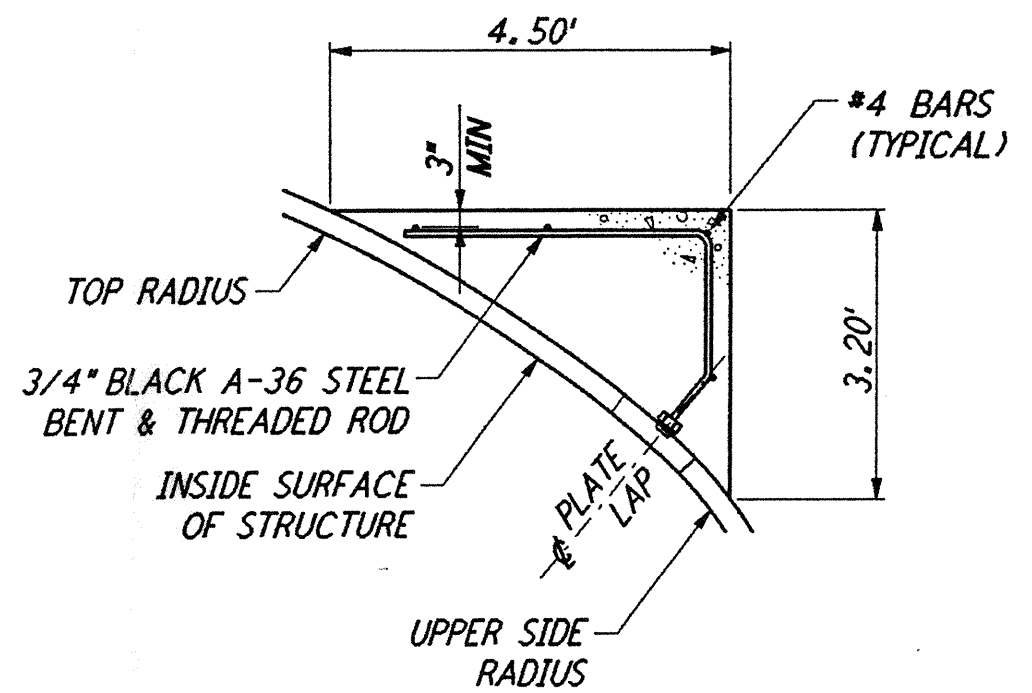
REF	DESCRIPTION
WA-C-002	
WA-C-003	
WA-C-005	
WA-C-507	



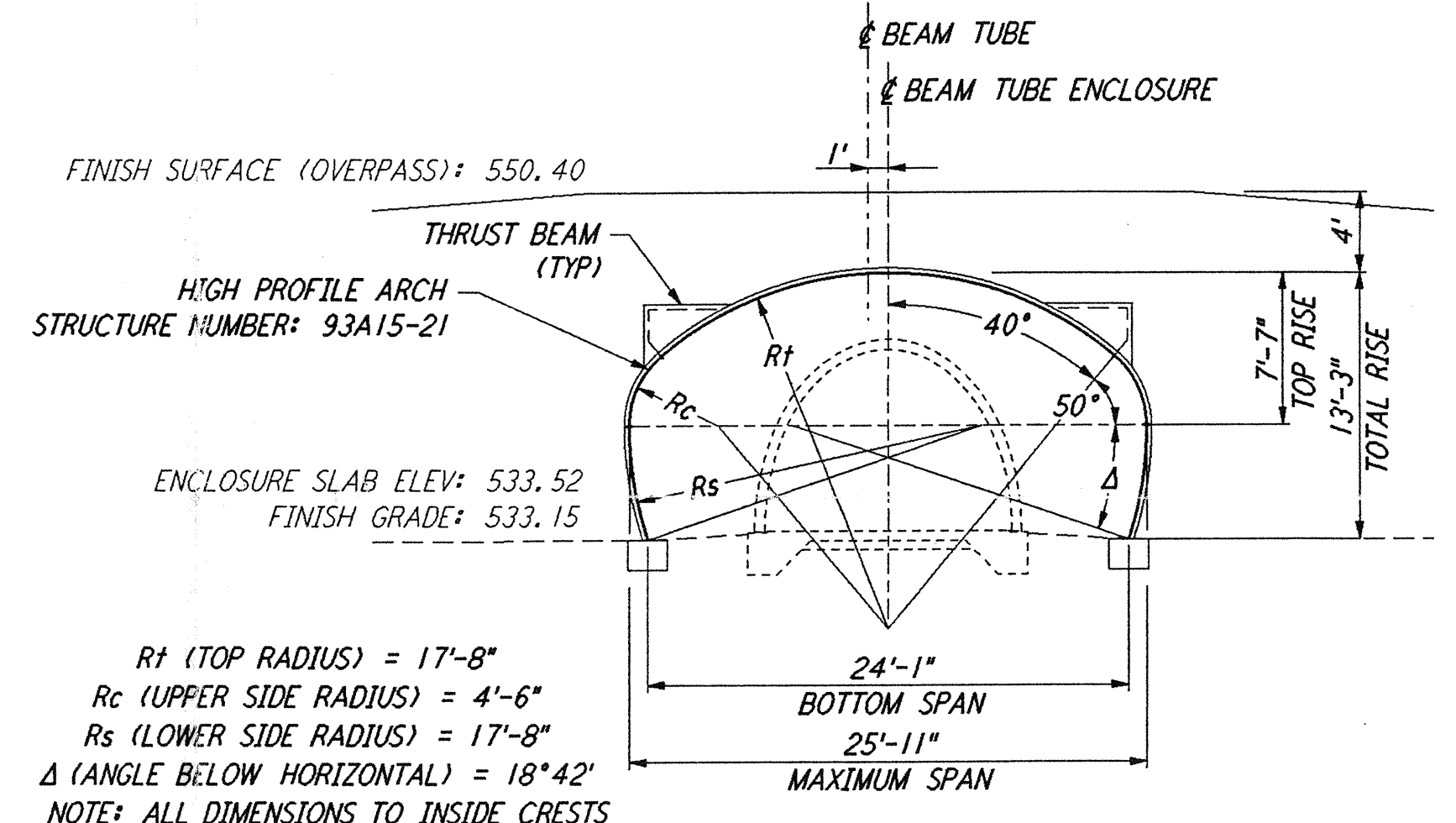
**LONGITUDINAL SECTION THRU @ ARCH STRUCTURE**



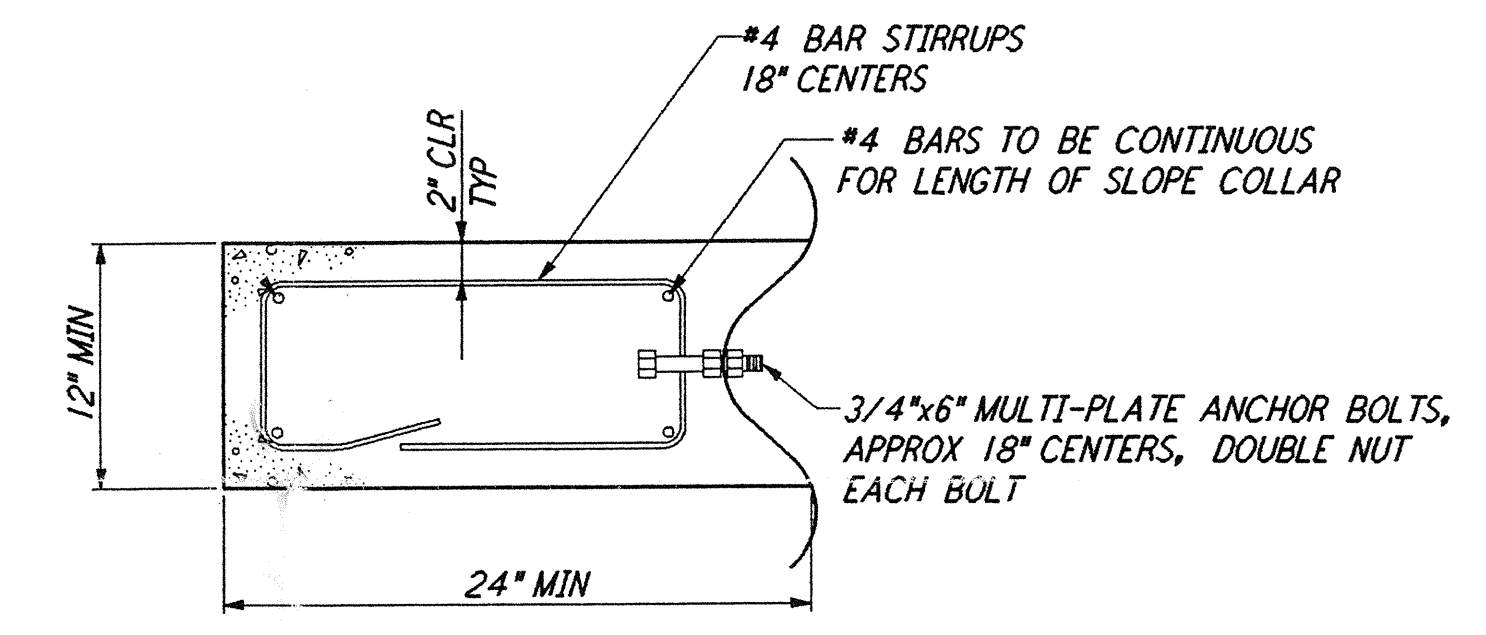
**FRONT VIEW - ARCH STRUCTURE**



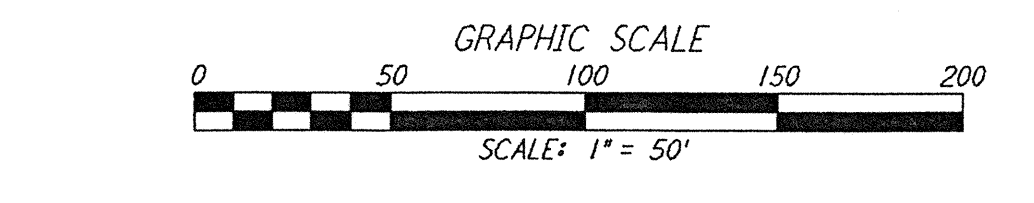
**THRUST BEAM DETAIL**



**SECTION THRU ARCH STRUCTURE**  
 NOTE: ARCH STRUCTURE SHALL BE IN ACCORDANCE WITH 'CONTECH' REQUIREMENTS OR EQUAL.



**SECTION A-A TYPICAL SLOPE COLLAR**



**NOTES:**  
 1. SEE SHEET WA-C-002 FOR GENERAL NOTES, LEGEND AND ABBREVIATIONS.

NO.	DATE	BY	CHKD	ENGR	PROJ	DESCRIPTION
A	4/19/96	WRB	WJG	WJG		FINAL DESIGN REVIEW & BID

DRAWN	WRB
CHECKED	
ENGINEER	
PROJ	

**PARSONS**

100 WEST WALNUT STREET  
 PASADENA, CALIFORNIA

**LIGO**

CALIFORNIA INSTITUTE OF TECHNOLOGY  
 MASSACHUSETTS INSTITUTE OF TECHNOLOGY

LASER INTERFEROMETER  
 GRAVITATIONAL-WAVE OBSERVATORY  
 SITE NO. 1 - HANFORD, WASHINGTON

TITLE	CIVIL GRADING SECTIONS & DETAILS SHEET 1
SCALE	AS NOTED
CONTRACT NUMBER	PP150969
PROJECT NUMBER	8094
SHEET NUMBER	<b>WA-C-053</b>
REVISIONS	

LIGO-D800237-A-C