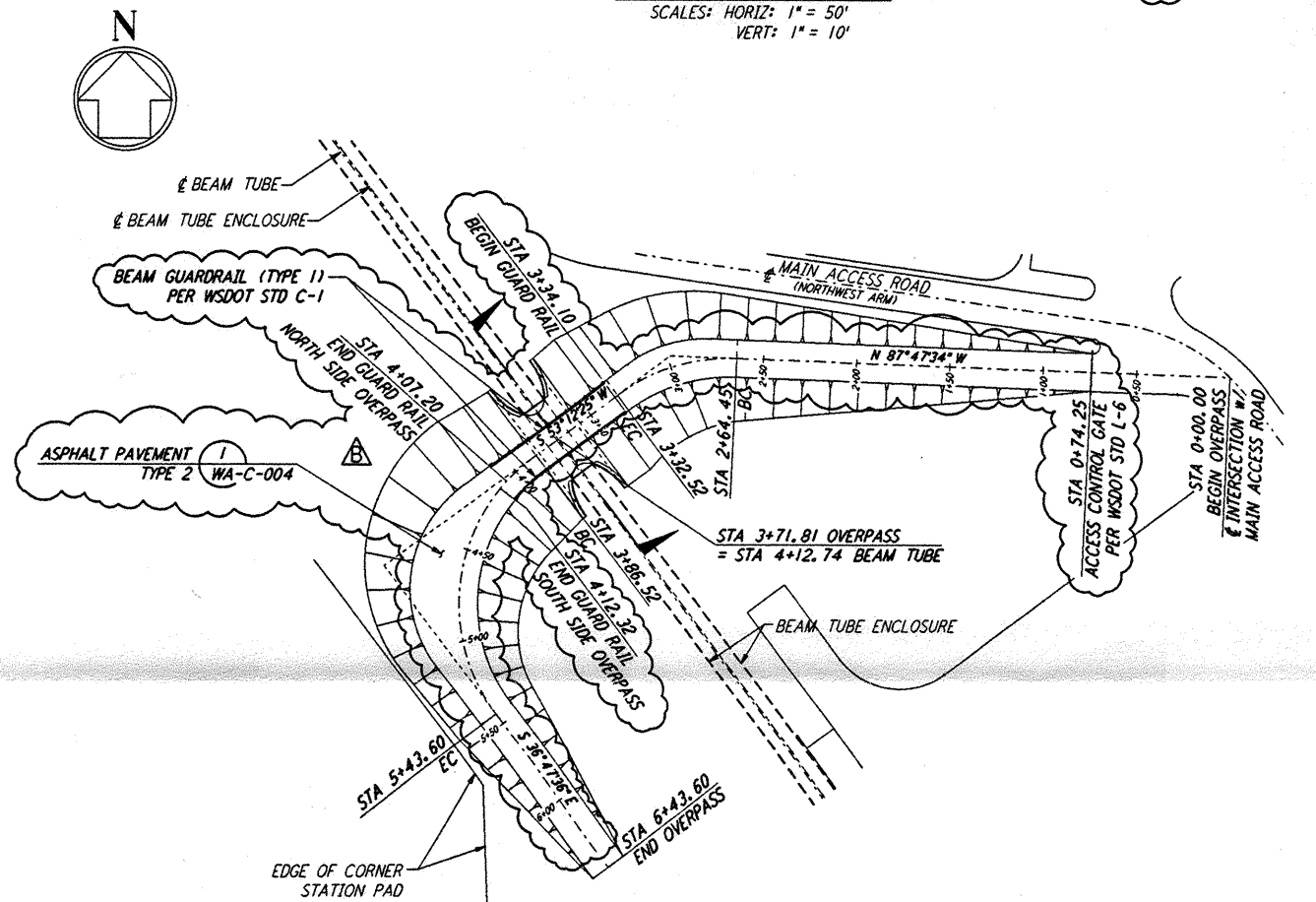
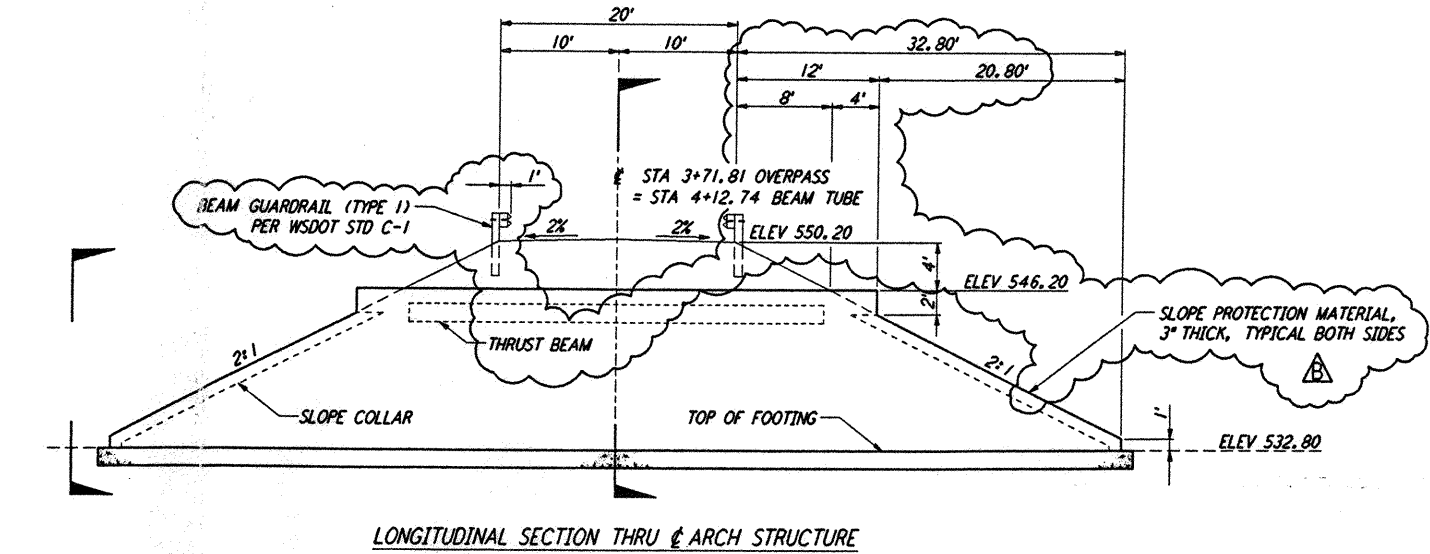


PROFILE ALONG OVERPASS
 SCALES: HORIZ: 1" = 50'
 VERT: 1" = 10'

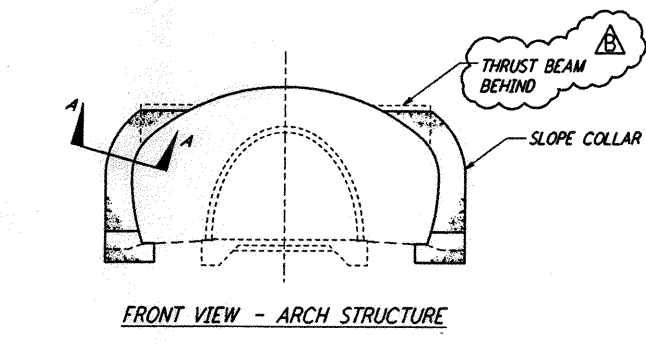


OVERPASS - PLAN
 SCALE: 1" = 50'

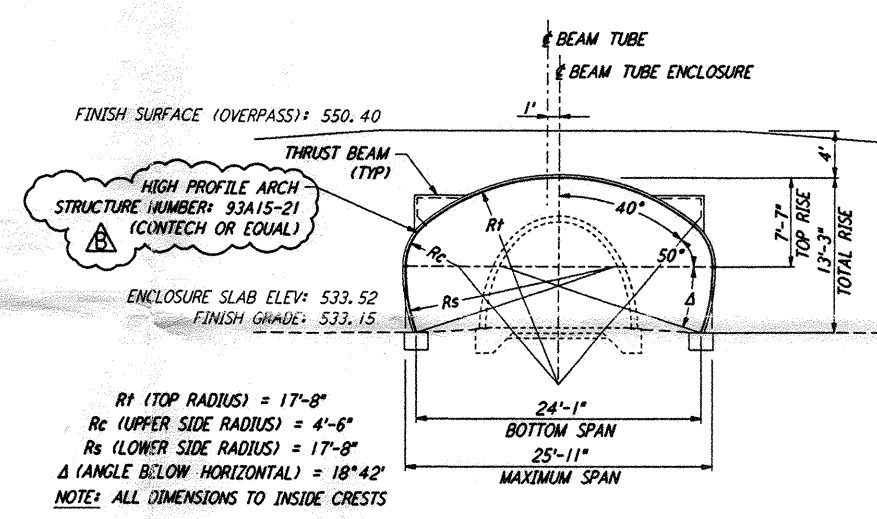
OVERPASS	REF
1	WA-C-053
	WA-C-005
	WA-C-007
	WA-C-505
	WA-C-507



LONGITUDINAL SECTION THRU ARCH STRUCTURE

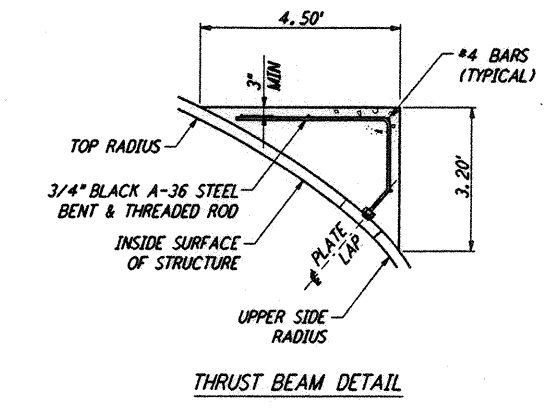


FRONT VIEW - ARCH STRUCTURE

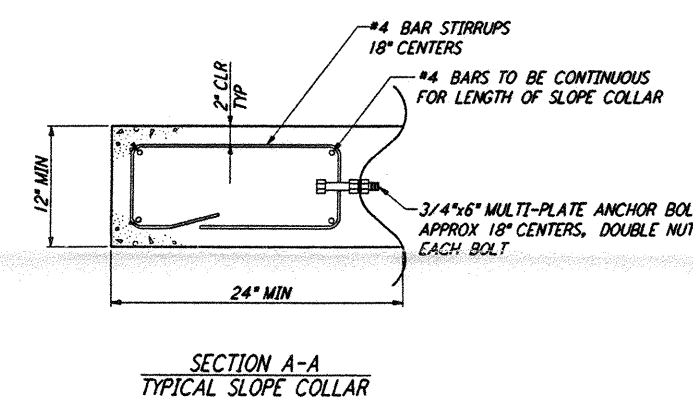


SECTION THRU ARCH STRUCTURE

NOTE: ARCH STRUCTURE SHALL BE IN ACCORDANCE WITH CONTECH REQUIREMENTS OR EQUAL.



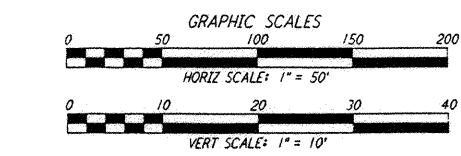
THRUST BEAM DETAIL



SECTION A-A TYPICAL SLOPE COLLAR

NOTES: (STEEL LONG SPAN STRUCTURES)

- THE LONG SPAN STEEL STRUCTURAL PLATE STRUCTURE, CONFORMING TO THE DIMENSIONS SHOWN ON THE PLANS AND SPECIFICATIONS, SHALL BE INSTALLED AT THE LOCATION DESIGNATED. THE DESIGN AND INSTALLATION SHALL CONFORM TO AASHTO STANDARD SPECIFICATIONS FOR HIGHWAY BRIDGES, DIVISION II, "SOIL-CORRUGATED METAL STRUCTURE INTERACTION SYSTEMS", SECTION 12.7, "LONG SPAN STRUCTURAL PLATE STRUCTURES", AND DIVISION II, SECTION 26, "METAL CULVERTS" AND DIVISION II, SECTION 8, "CONCRETE STRUCTURES".
- THE GALVANIZED STEEL STRUCTURAL PLATE SHALL HAVE 5" x 2" CORRUGATIONS AND SHALL BE OF THE GAGE AS SHOWN ON THE PLANS. THE PLATES SHALL BE MANUFACTURED IN CONFORMANCE WITH AASHTO SPECIFICATION M 167. BOLTS AND NUTS SHALL MEET THE PROVISIONS OF ASTM A 449 AND ASTM A 563, GRADE C, RESPECTIVELY, AND SHALL BE GALVANIZED IN ACCORDANCE WITH THE REQUIREMENTS OF ASTM A 153, CLASS C. THE STEEL ANCHOR BOLTS SHALL CONFORM TO ASTM A 307, GRADE A.
- LONGITUDINAL STIFFENERS SHALL BE LOCATED AT THE RADIUS TRANSITION AT THE ENDS OF THE TOP ARC. THE THRUST BEAMS SHALL CONSIST OF REINFORCED CONCRETE CONFORMING TO DIVISION II, SECTION 8, CLASS B OF THE AASHTO STANDARD SPECIFICATIONS FOR HIGHWAY BRIDGES HAVING A MINIMUM COMPRESSION STRENGTH OF 2400 PSI. REINFORCING STEEL SHALL CONFORM TO ASTM A 615, GRADE 40, HAVING A MINIMUM YIELD STRENGTH OF 40,000 PSI. THRUST BEAMS SHALL BE FORMED AND POURED CONFORMING TO THE PLAN DIMENSIONS WHEN THE BACKFILL REACHES THE BOTTOM ELEVATION OF THE THRUST BEAMS.
- THE LONG SPAN STRUCTURE SHALL BE DESIGNED IN ACCORDANCE WITH THE LATEST AASHTO DESIGN CRITERIA AND SHALL BE REQUIRED TO INCORPORATE THE USE OF CONTINUOUS LONGITUDINAL STRUCTURAL STIFFENERS (CONCRETE THRUST BEAMS). THE MATERIAL SUPPLIER SHALL BE A QUALIFIED MANUFACTURER OF STEEL STRUCTURAL PLATE AND LONG SPAN STRUCTURES WITH A MINIMUM OF 50 SUCCESSFUL INSTALLATIONS. THE FOUNDATION, STRUCTURAL BACKFILL AND END TREATMENT SHALL BE AS REQUIRED HEREIN AND DETAILED ON THE PLANS.
- THE STRUCTURE SHALL BE ERECTED IN STRICT ACCORDANCE WITH THE MANUFACTURER'S INSTRUCTIONS AND TO THE DESIGN SHAPE SHOWN ON THE PLANS. PLATES SHALL BE ASSEMBLED ACCORDING TO PLATE ASSEMBLY DRAWINGS SUPPLIED BY THE MANUFACTURER.
- BACKFILL SHALL BE IN ACCORDANCE WITH AASHTO SPECIFICATION M-145, GRADE A-1-0, AND COMPACTED PER MANUFACTURER'S RECOMMENDATIONS.
- THE MANUFACTURER SHALL SUPPLY A QUALIFIED REPRESENTATIVE TO MONITOR THE INSTALLATION AND BACKFILLING OF THE STRUCTURE.
- APPROPRIATE LIGHT WEIGHT EQUIPMENT SHALL BE USED TO FILL AND COMPACT AROUND STRUCTURE IN ACCORDANCE WITH MANUFACTURER'S RECOMMENDATIONS.



LIGO-D960237-B-0

not be reproduced, copied, loaned, exhibited, or used in any other way, except by written consent from PARSONS to the borrower.

This document and the design it covers are the property of PARSONS. They are loaned only with the borrower's expressed written agreement that they will

REVISED	DATE	BY	CHKD	ENGR	PROJ	DESCRIPTION
B	5/22/96	WRB	ML	JB	MDW	BID ADDENDUM #2
A	4/19/96	WRB	ML	JB	MDW	FINAL DESIGN REVIEW & BID

DRAWN	WRB
CHECKED	
ENGINEER	
PROJ	

PARSONS
 100 WEST WALNUT STREET
 PASADENA, CALIFORNIA

LIGO
 CALIFORNIA INSTITUTE OF TECHNOLOGY
 MASSACHUSETTS INSTITUTE OF TECHNOLOGY

LASER INTERFEROMETER
 GRAVITATIONAL-WAVE OBSERVATORY
 SITE NO. 1 - HANFORD, WASHINGTON

CIVIL GRADING SECTIONS & DETAILS
 SHEET 1

AS NOTED PP150969 8094
WA-C-053

LIGO-WAF-3-BOR