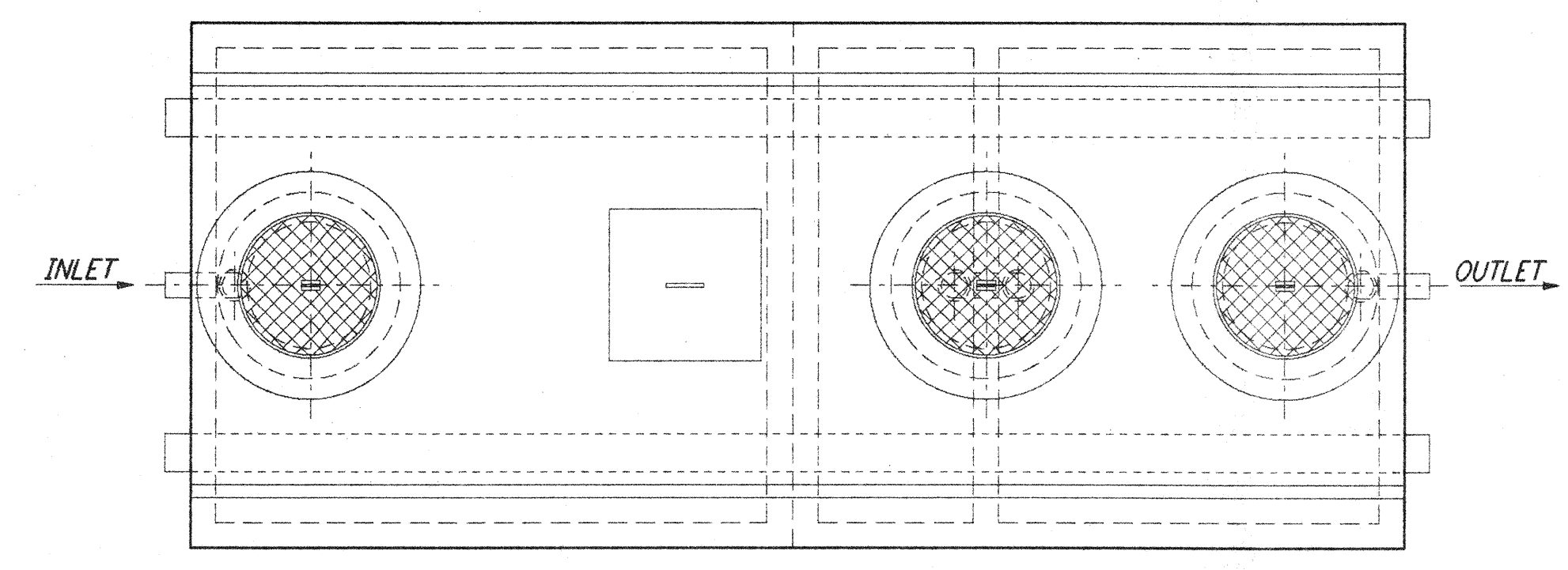
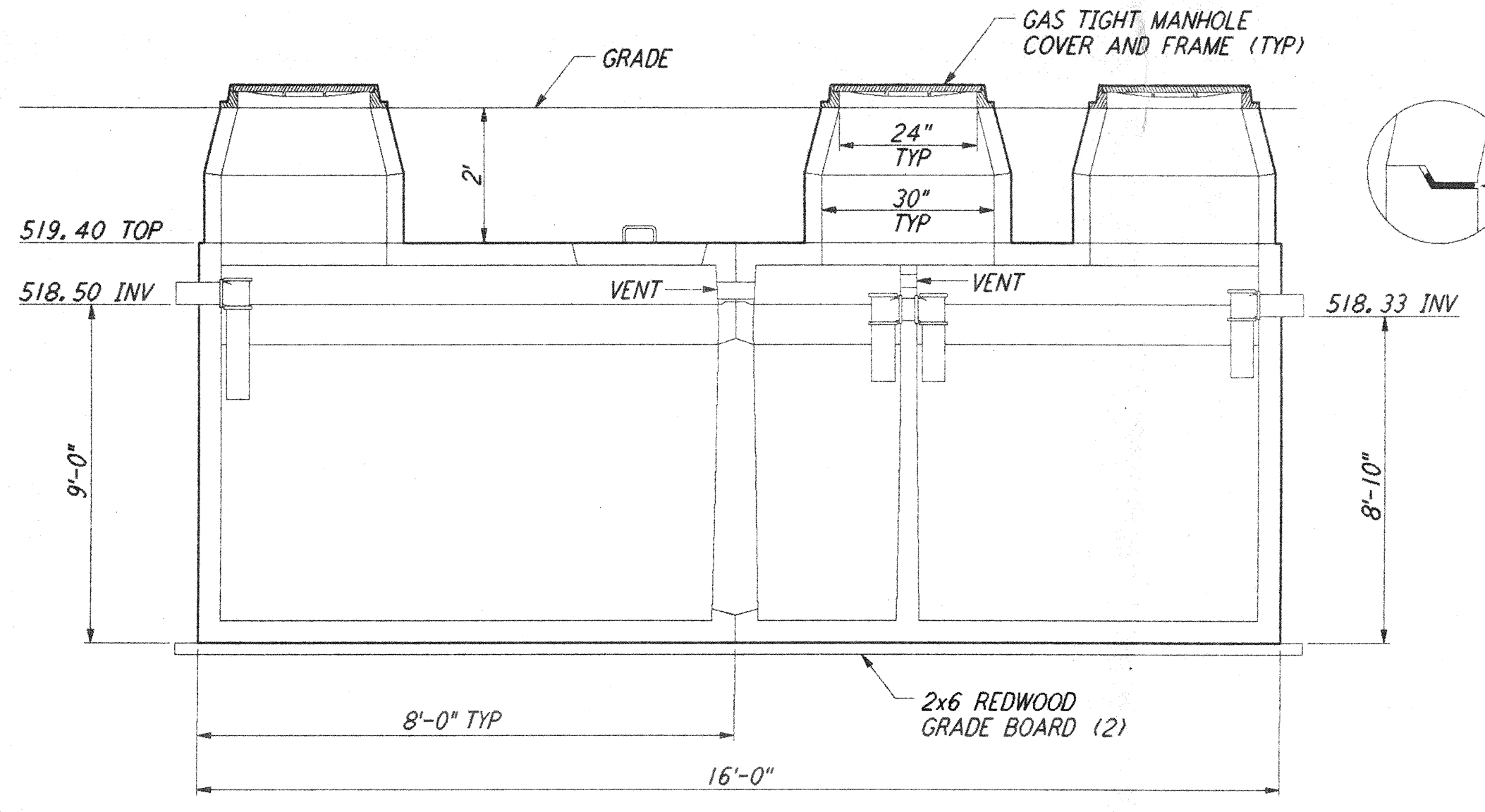


This document and the design it covers are the property of PARSONS. They are loaned only with the borrower's expressed written agreement that they will not be reproduced, copied, loaned, exhibited, or used in any other way, except by written consent from PARSONS to the borrower.

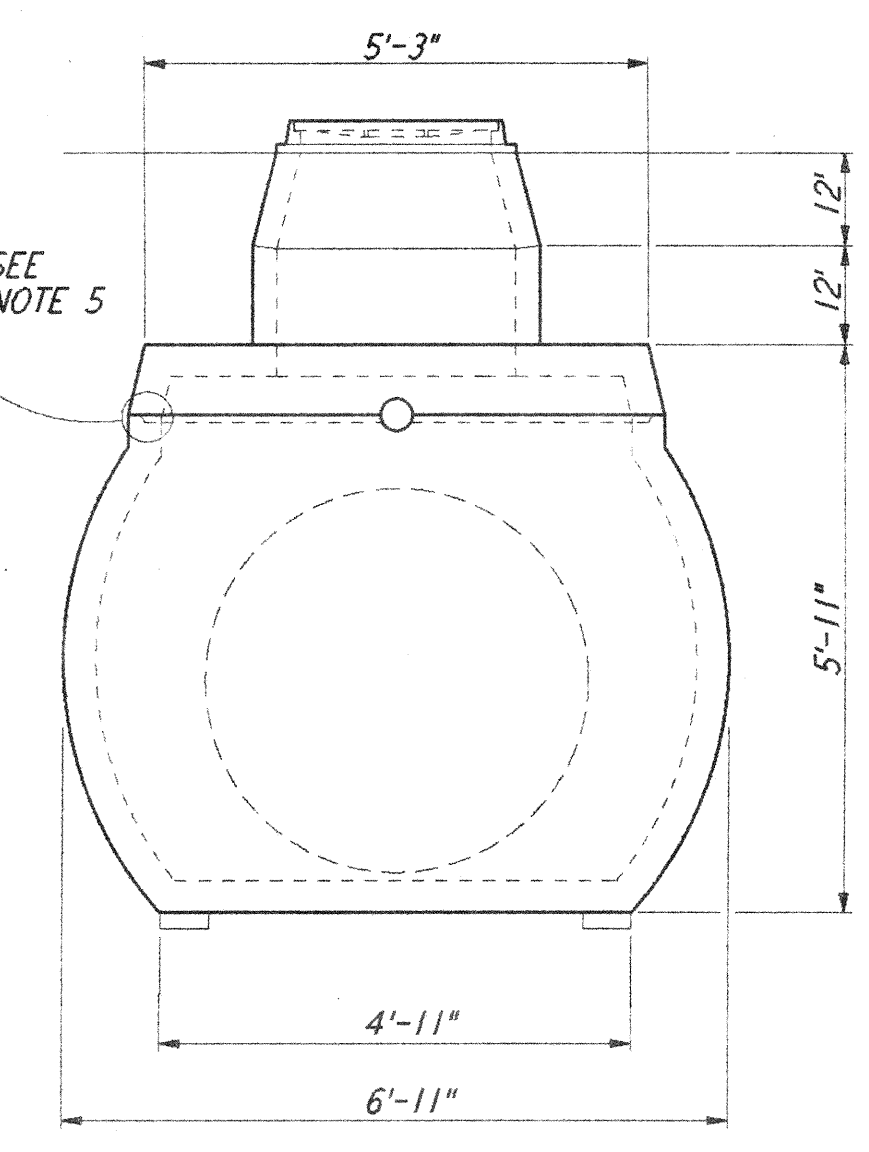


PLAN VIEW

- NOTES:**
- MATERIAL SPECIFICATIONS: (SEE NOTE 3)
    - CONCRETE, PORTLAND CEMENT TYPE II, MINIMUM COMPRESSIVE STRENGTH 3000 PSI AT 28 DAYS.
    - REINFORCING BARS INTERMEDIATE GRADE ASTM A615.
    - REINFORCING WELDED WIRE MESH ASTM A185.
  - PRECAST UNIT COATED INSIDE AND OUT WITH AN APPROVED PROTECTIVE COATING.
  - PRECAST UNIT TO BE PLACED ON NATURAL SOIL OR APPROVED COMPACTED FILL.
  - INTERNAL FITTINGS 4" SEWER AND DRAIN U.P.C. APPROVED.
  - STANDARD GROUND WATER SEAL - BUTYL ROPE MASTIC OR CEMENT MORTAR.

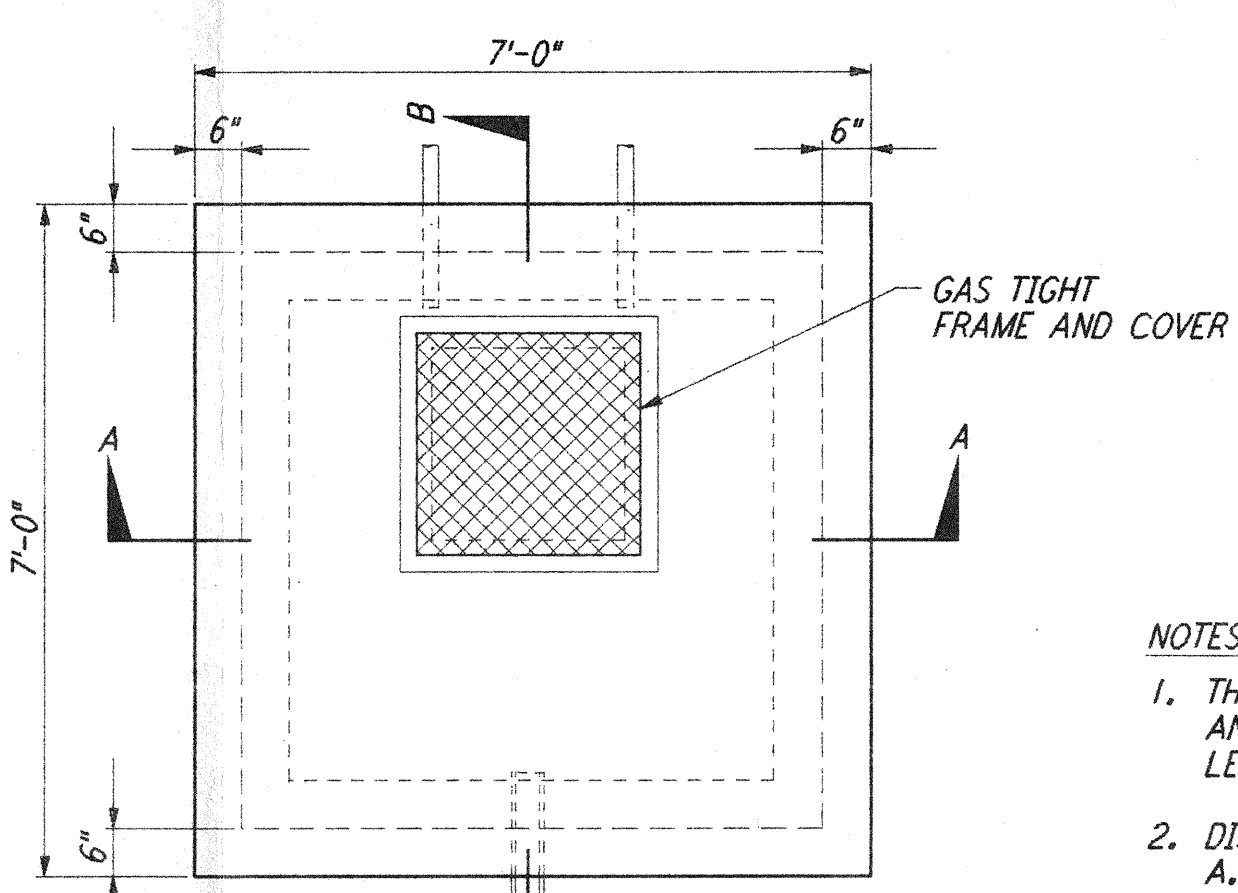


LONGITUDINAL SECTION



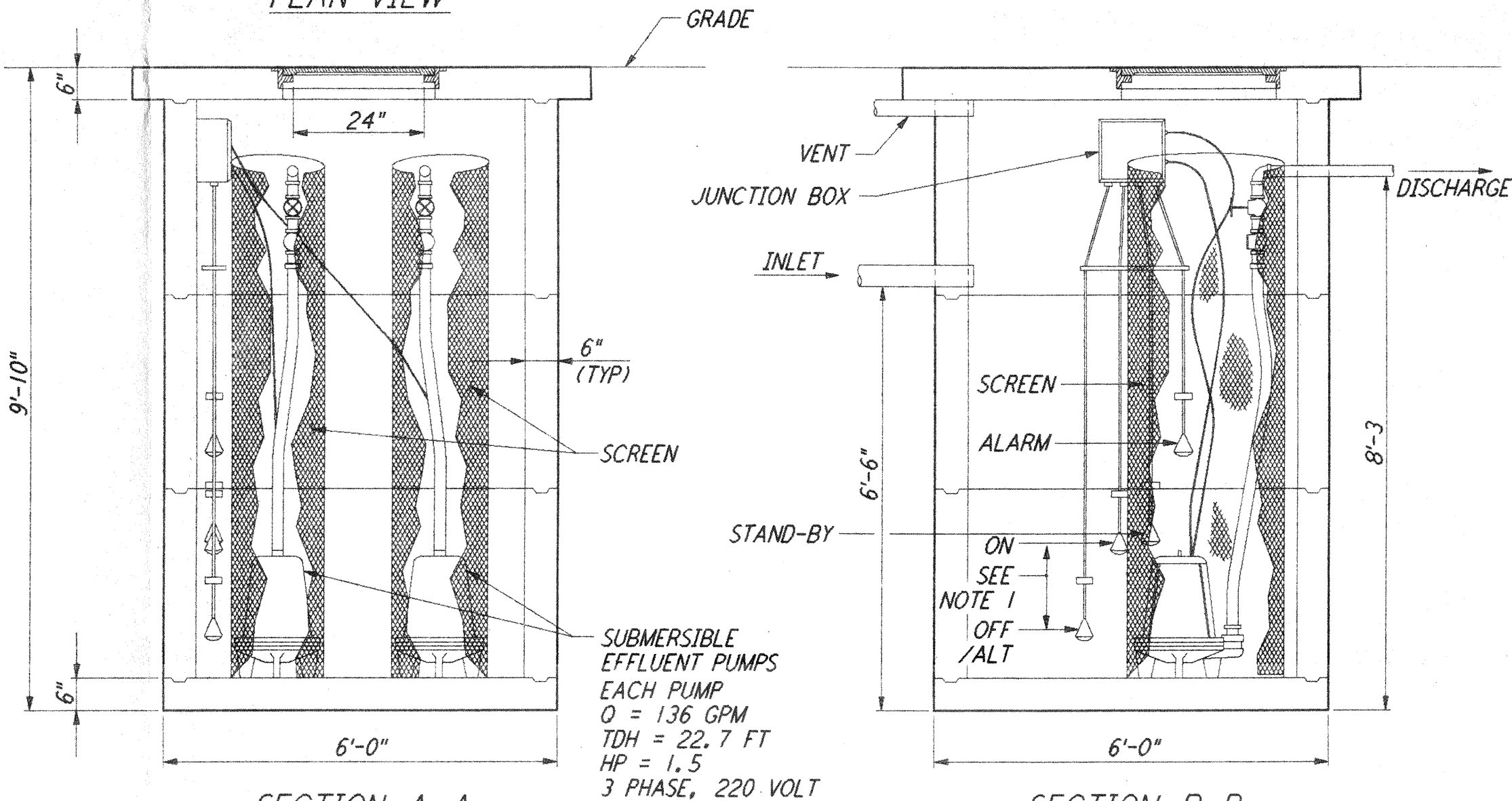
END VIEW

**SEPTIC TANK (4500 GALLONS)**  
 NOT TO SCALE (SEE NOTE 4) REF WA-C-056 WA-C-510



PLAN VIEW

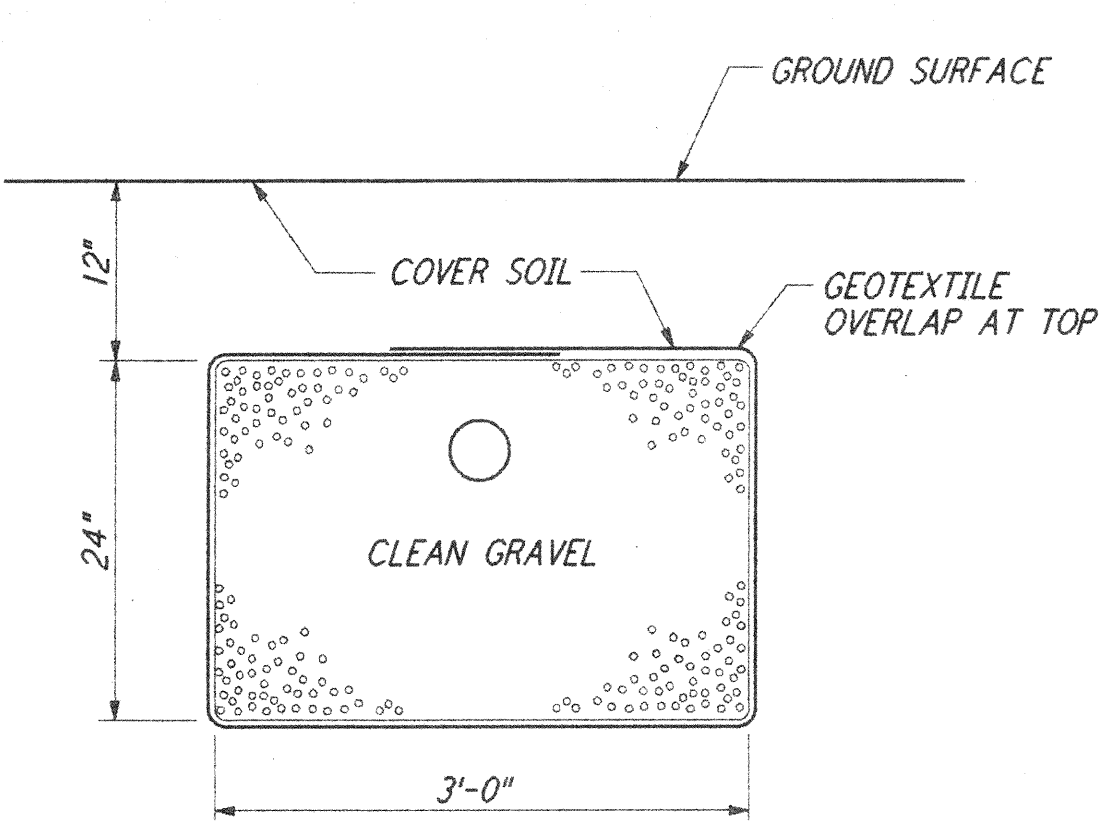
- NOTES:**
- THE VOLUME CONTAINED BETWEEN THE OFF/ALT FLOAT AND THE ON FLOAT SHOULD BE EQUAL TO 75% OF THE LEACH LINE(S) SERVED BY EACH PUMP.
  - DISCHARGE PLUMBING MAY BE ONE OF TWO CONFIGURATIONS:
    - THE CONFIGURATION SHOWN WILL DOSE 1/2 OF THE FIELD WITH EACH DISCHARGE.
    - COMBINING THE DISCHARGE PIPES WILL DOSE THE ENTIRE FIELD WITH EACH DISCHARGE.



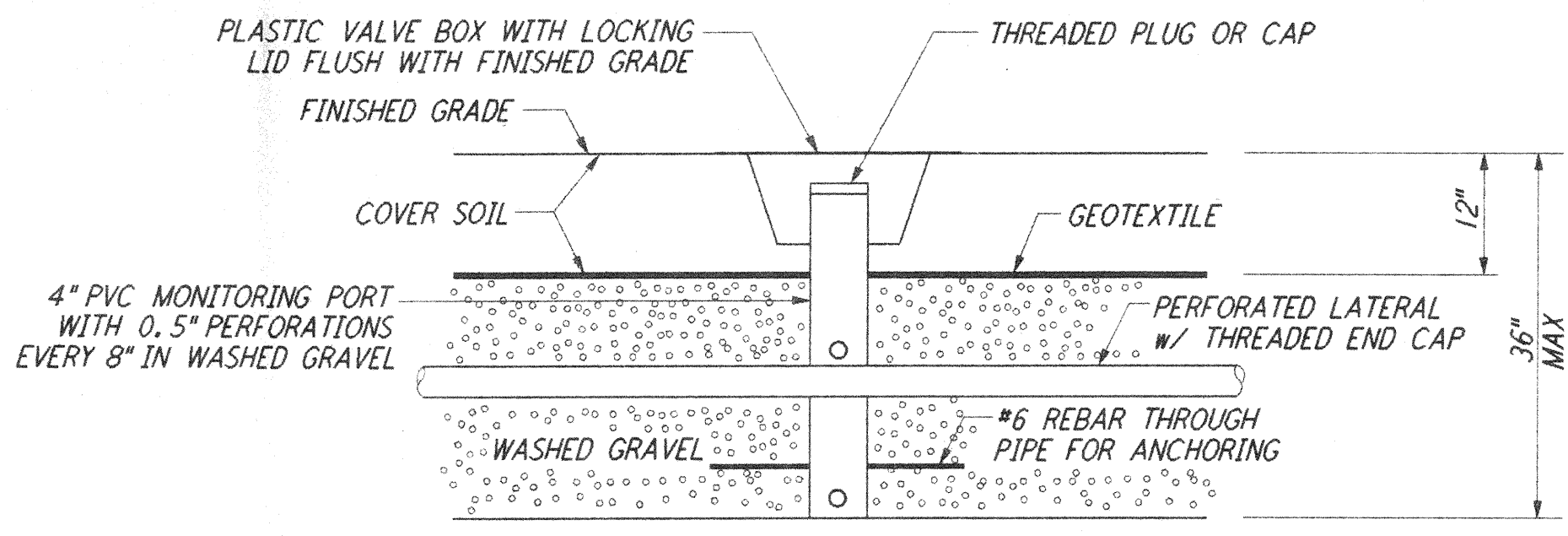
SECTION A-A

SECTION B-B

**DOSING LIFT STATION**  
 NOT TO SCALE REF WA-C-056 WA-C-510



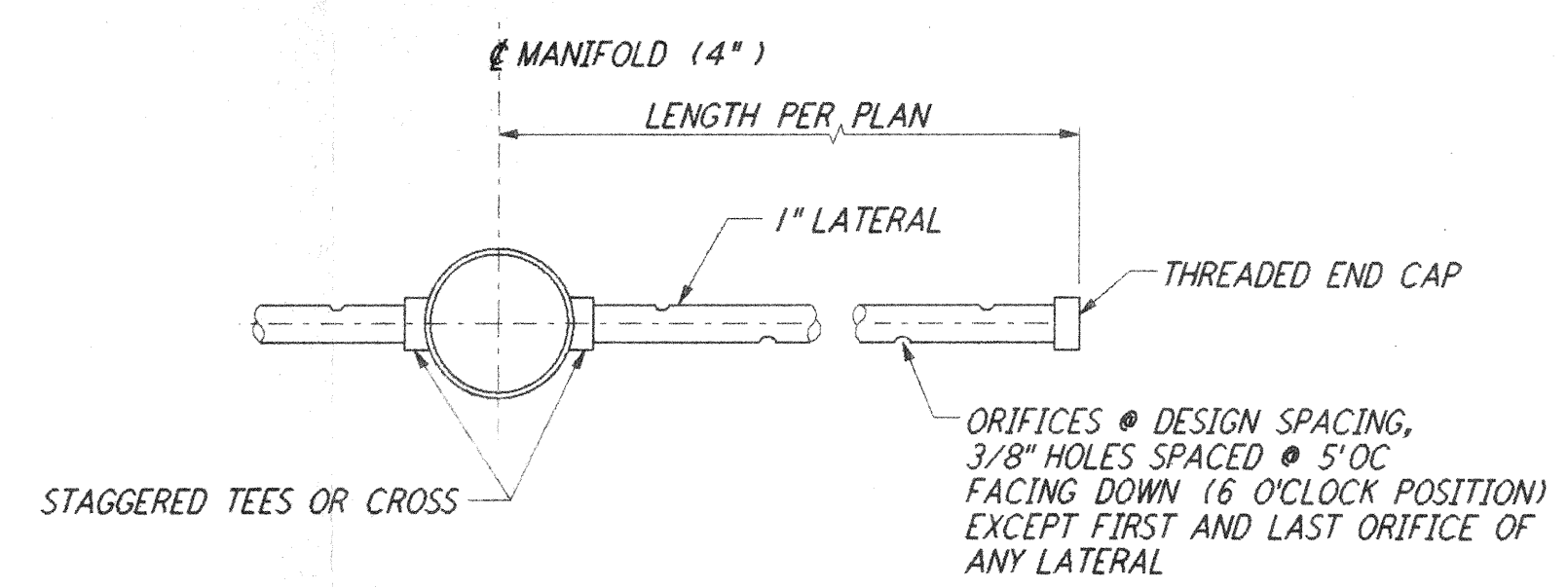
TYPICAL LATERAL SECTION



- NOTES:**
- BANDED GEOTEXTILE IS OPTIONAL ON CONVENTIONAL TRENCH SYSTEMS, BUT IS REQUIRED ON SOIL TYPE IA SAND-LINED TRENCHES OR BEDS.
  - REQUIRED AT 4 CORNERS OF EACH LEACH FIELD.

**MONITORING PORT SECTION**  
 (CONVENTIONAL TRENCH DETAIL)  
 (SEE NOTE 5)

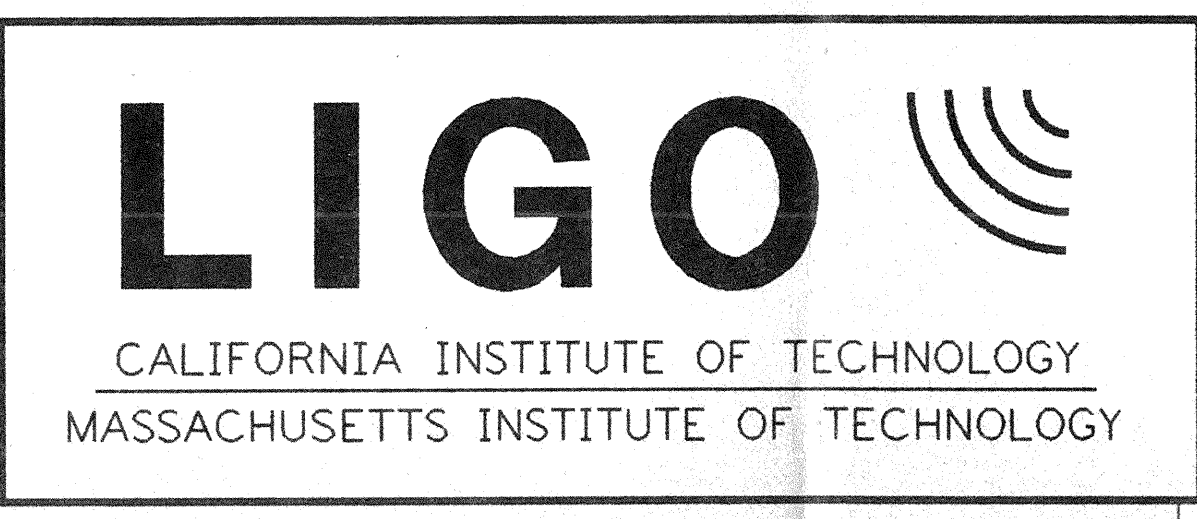
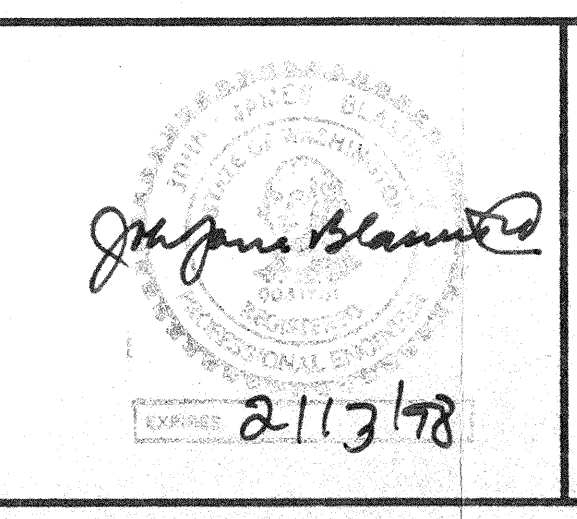
**LEACH FIELD**  
 NOT TO SCALE REF WA-C-056 WA-C-510



TYPICAL LATERAL CROSS CONSTRUCTION w/ ORIFICES @ 6 O'CLOCK

DRAWING NO.	DESCRIPTION	NO.	DATE	BY	CHKD	ENGR	PROJ	DESCRIPTION

FOR CONSTRUCTION			
DRAWN	WRB	9/28/95	
CHECKED		7/7/96	
ENGINEER		7/1/96	
PROJ		7/1/96	



LASER INTERFEROMETER GRAVITATIONAL-WAVE OBSERVATORY  
 SITE NO. 1 - HANFORD, WASHINGTON

CIVIL UTILITY DETAILS SHEET 2

AS NOTED PPI50969 8094

**WA - C - 056**

LIGO-D960240-00-0