

- NOTES:**
- SEE SHEET WA-C-002 FOR GENERAL NOTES, LEGEND AND ABBREVIATIONS.
  - ALL DIMENSIONS SHOWN FOR COMMUNICATION AND ELECTRICAL PULLBOXES ARE INTERNAL DIMENSIONS, UNLESS NOTED OTHERWISE.
  - COMMUNICATIONS CONDUIT SHALL STUB-UP INSIDE THE ACCESS FLOOR CAVITY TO AN ELEVATION THAT WILL PREVENT FLOODING OF CAVITY IF OUTDOOR UNDERGROUND CONDUIT RIMS ARE FILLED WITH WATER.
  - POLYETHYLENE PULL ROPES SHALL BE PROVIDED BETWEEN PULLBOXES AND STUB-UPS FOR EACH CONDUIT.
  - DUCT BANK SHALL SLOPE DOWN AWAY FROM BUILDING AS SHOWN ON PLAN.
  - GROUNDING MAT FOR PERSONNEL PROTECTION SHALL BE PREFABRICATED 4' X 6', SIZE 6" X 6" APART, WIRE NO. 6 AWG, 40X CONDUCTIVITY COPPERWELD, WITH CENTER WIRE # 1/0 AWG, ERICO WFR, CABLE TO MESH TYPE PT, MOLD PTC-102C, WELD METAL #6S.
  - GROUNDING MAT SHALL BE INSTALLED 12" DEEP MIN. ADJACENT TO HIGH VOLTAGE PRIMARY SIDE.
  - THRUST BLOCKS SHALL BE PROVIDED AT ALL BENDS AND TEES, FOR ALL PRESSURE LINES. SEE DETAIL 3, SHEET WA-C-055 FOR SIZES.
  - SEE DETAIL 5, SHEET WA-C-055 FOR TRENCH BEDDING REQUIREMENTS.

**COMMUNICATION PULL BOX LOCATIONS**

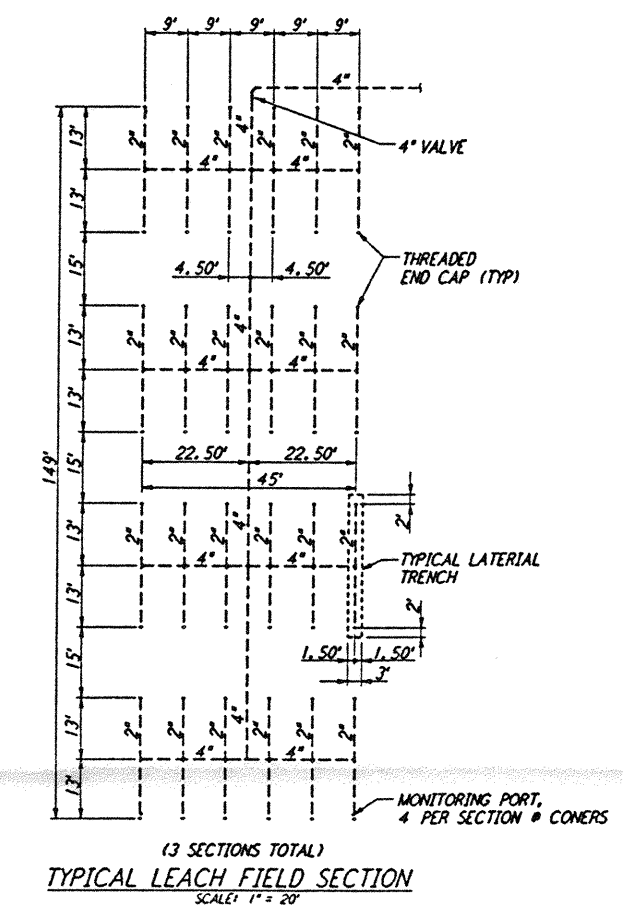
CPB	COORDINATES	
	NORTH	EAST
C6	411019.6212	1915854.6469
C7	411098.5674	1915795.6032
C8	411166.5147	1915744.7855
C9	411224.9736	1915701.0642
C10	411281.8712	1915777.1408
C11	411341.7635	1915857.2215
C12	411400.8034	1915936.1624

NOTE: COORDINATES ARE TO THE CENTER OF PULL BOX.

**ELECTRICAL PULL BOX LOCATIONS**

EPB	COORDINATES	
	NORTH	EAST
E1	411058.1263	1915811.3507
E2	411211.9940	1915690.9454
E3	411278.4011	1915779.7361
E4	411338.2937	1915859.8166
E5	411400.7777	1915943.3619
E6	411448.1159	1915907.9574
E7	411412.1916	1915934.8255
E8	411346.9645	1915947.6118
E9	411286.9041	1915892.5312

NOTE: COORDINATES ARE TO THE CENTER OF PULL BOX.



This document and the design it covers are the property of PARSONS. They are loaned only with the borrower's expressed written agreement that they will not be reproduced, copied, loaned, exhibited, or used in any other way, except by written consent from PARSONS to the borrower.

NO.	DATE	BY	CHKD	ENGR	PROJ	DESCRIPTION
A	4/19/96	WRB	WA	WA	WA	FINAL DESIGN REVIEW & BID

**PARSONS**  
 100 WEST WALNUT STREET  
 PASADENA, CALIFORNIA

**LIGO**  
 CALIFORNIA INSTITUTE OF TECHNOLOGY  
 MASSACHUSETTS INSTITUTE OF TECHNOLOGY

LASER INTERFEROMETER  
 GRAVITATIONAL-WAVE OBSERVATORY  
 SITE NO. 1 - HANFORD, WASHINGTON

CIVIL CORNER STATION  
 UTILITY PLAN  
 ENLARGED PLANS

PROJECT NUMBER: PPI50969  
 PROJECT CODE: 8094  
**WA-C-510**

L160-0960244-A-0

50 100 200 300 400 500 600 700 800 900 1000 1100 1200 1300 1400 1500 1600 1700 1800 1900 2000 2100 2200 2300 2400 2500 2600 2700 2800 2900 3000 3100 3200 3300 3400 3500 3600 3700 3800 3900 4000 4100 4200 4300 4400 4500 4600 4700 4800 4900 5000 5100 5200 5300 5400 5500 5600 5700 5800 5900 6000 6100 6200 6300 6400 6500 6600 6700 6800 6900 7000 7100 7200 7300 7400 7500 7600 7700 7800 7900 8000 8100 8200 8300 8400 8500 8600 8700 8800 8900 9000 9100 9200 9300 9400 9500 9600 9700 9800 9900 10000