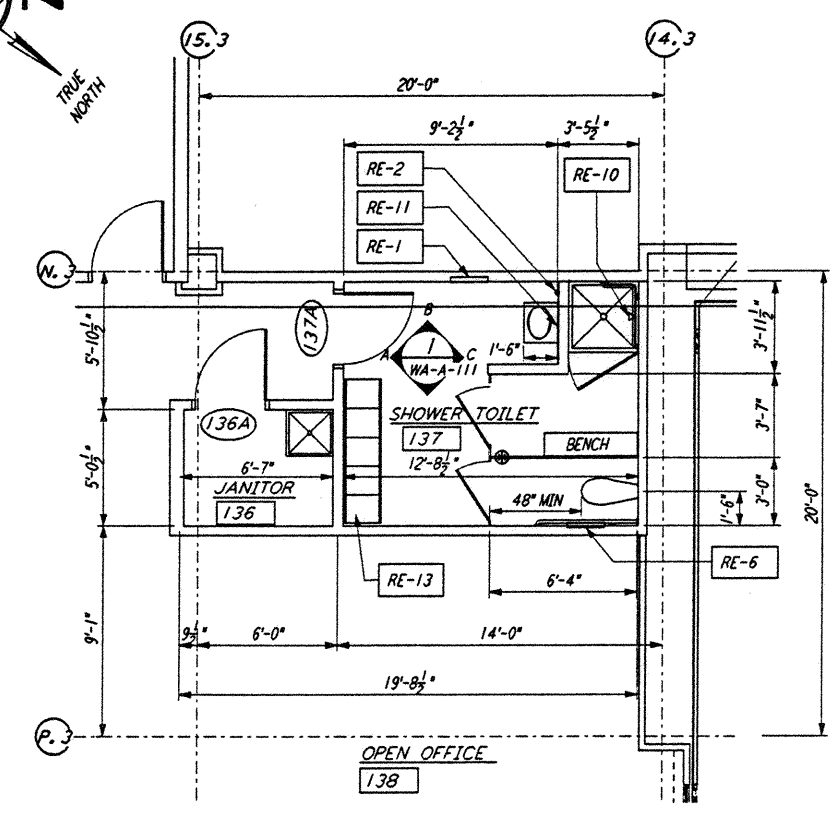
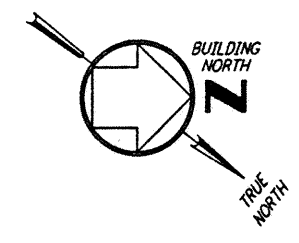
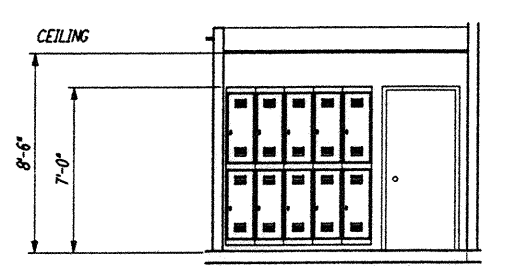


NOTE: SEE SPECIFICATIONS FOR
 ADDITIONAL INFORMATION
 AND SCHEDULES

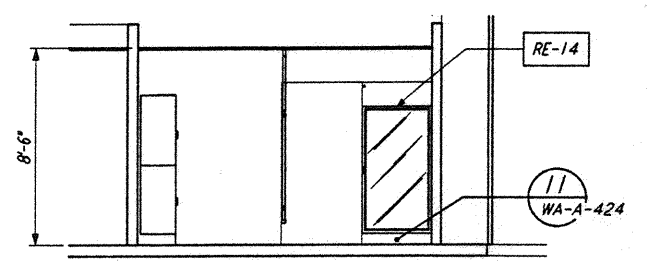


ENLARGED PLAN

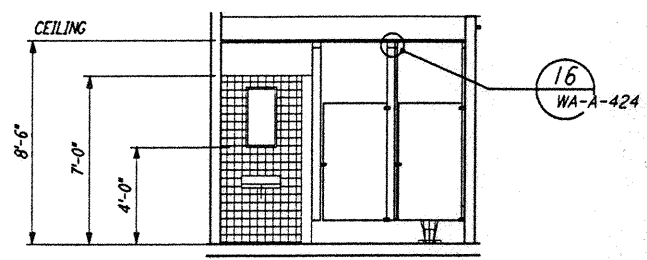
JANITOR 136 / SHOWER TOILET 137
 $\frac{1}{2}'' = 1'-0''$ REF WA-A-111 WA-A-108



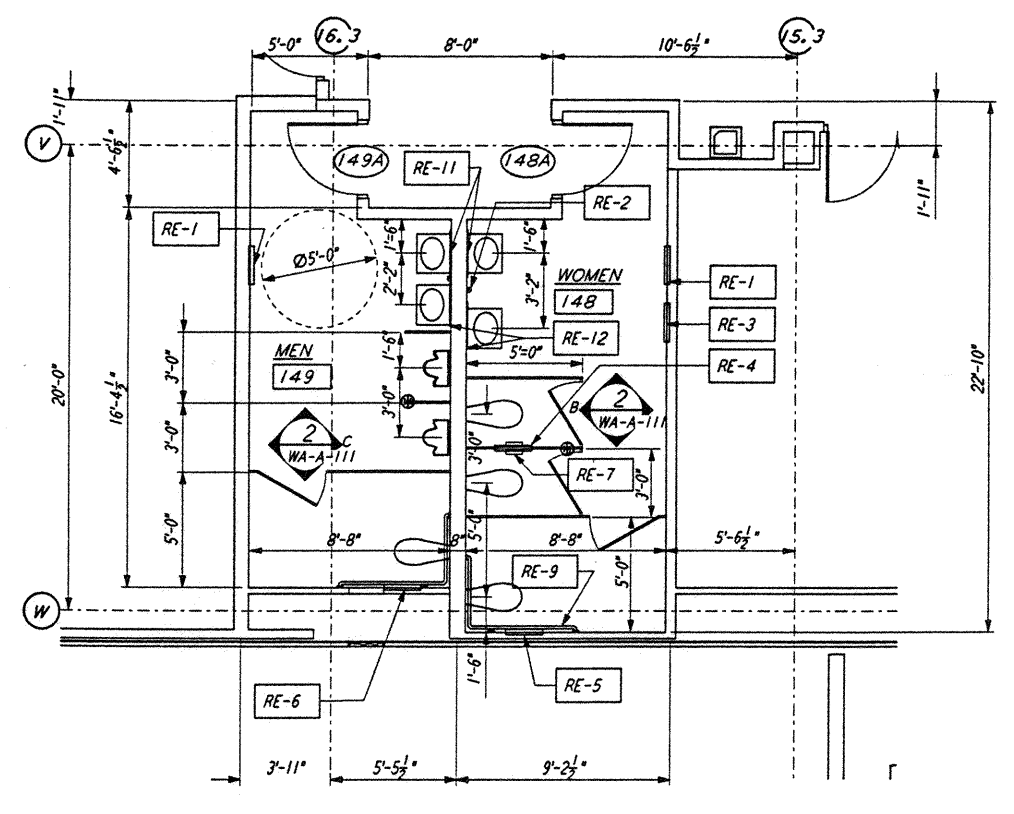
ELEVATION A



ELEVATION B

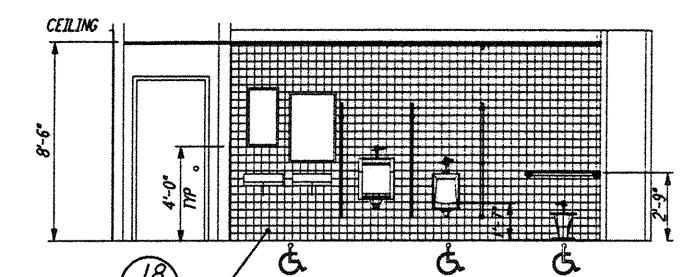


ELEVATION C

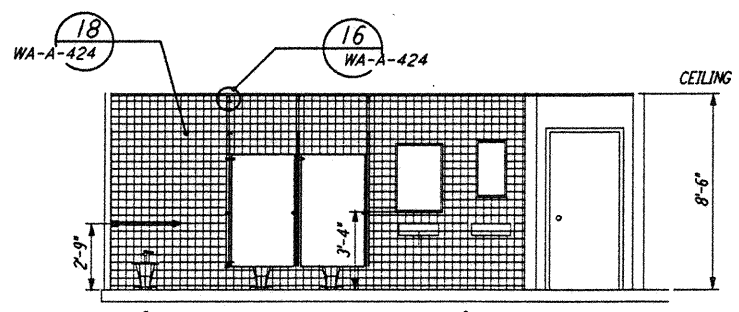


ENLARGED TOILET PLAN

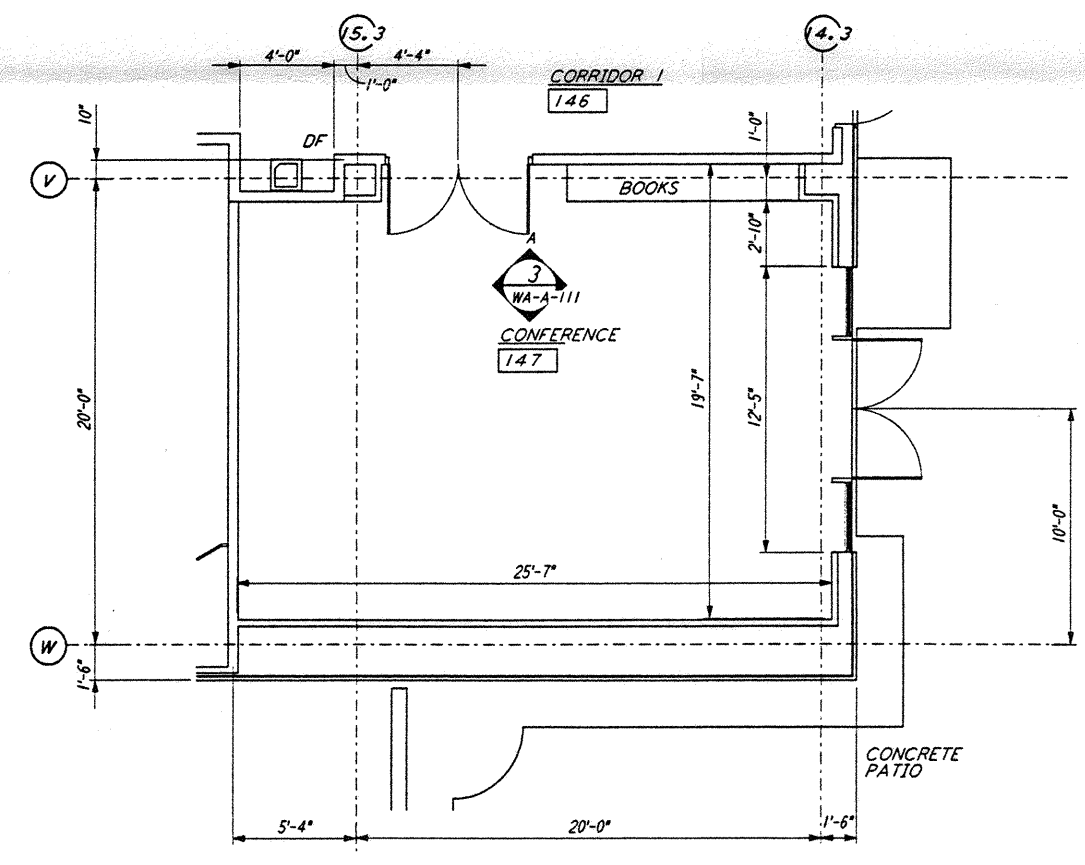
MEN 149 / WOMEN 148
 $\frac{1}{2}'' = 1'-0''$ REF WA-A-111 WA-A-108



ELEVATION C

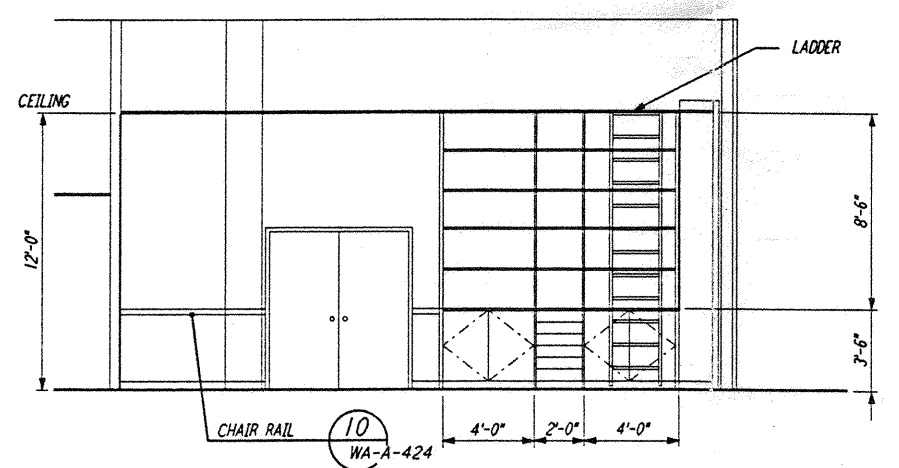


ELEVATION B

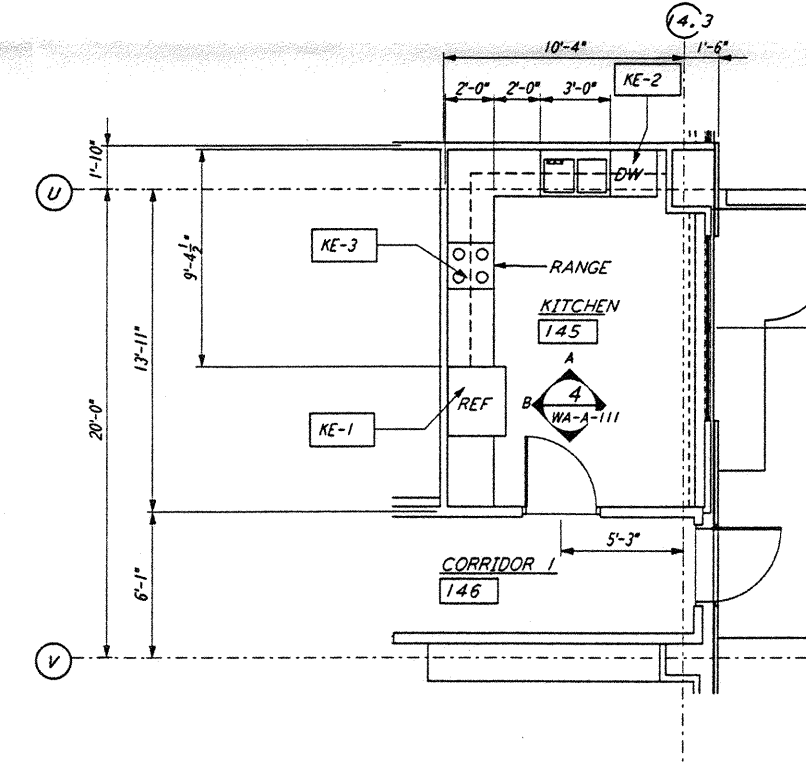


ENLARGED PLAN

CONFERENCE ROOM 147
 $\frac{1}{2}'' = 1'-0''$ REF WA-A-111 WA-A-108

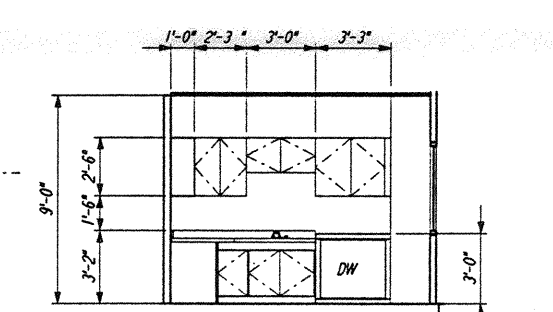


ELEVATION A

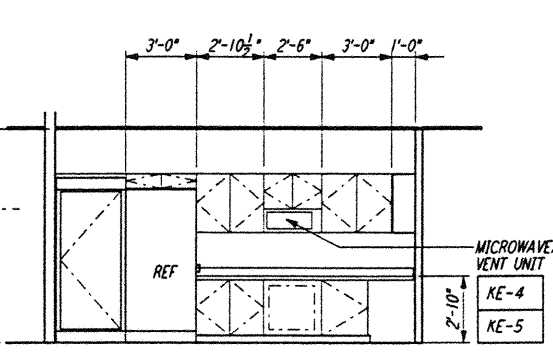


ENLARGED KITCHEN PLAN

KITCHEN PLAN 145
 $\frac{1}{2}'' = 1'-0''$ REF WA-A-111 WA-A-108



ELEVATION A



ELEVATION B

0 4 8 12 16 FT
 $\frac{1}{2}'' = 1'-0''$

This document and the design it covers are the property of PARSONS. They are loaned only with the borrower's expressed written agreement that they will not be reproduced, copied, loaned, exhibited, or used in any other way, except by written consent from PARSONS to the borrower.

This document and the design it covers are the property of PARSONS. They are loaned only with the borrower's expressed written agreement that they will not be reproduced, copied, loaned, exhibited, or used in any other way, except by written consent from PARSONS to the borrower.

| NO. | DATE | BY | CHKD | ENGR | PROJ | DESCRIPTION |
|-----|------|----|------|------|------|-------------|
| | | | | | | |
| | | | | | | |
| | | | | | | |

| | |
|-------------------------|-------------|
| ISSUED FOR CONSTRUCTION | |
| DRAWN | CKT 5-12-96 |
| CHECKED | TB 5-26-96 |
| ENGINEER | kkk 7-12-96 |
| PROJ | HW 7-11-96 |



LASER INTERFEROMETER
 GRAVITATIONAL-WAVE OBSERVATORY
 SITE NO. 1 - HANFORD, WASHINGTON

ARCHITECTURAL CORNER STATION
 OSB ENLARGED PLANS

AS NOTED PPI50969 8094
WA-A-111

LIGO-D960250-00-0

LBP JUN 25 10:30:13 1996 8374382Z UNPLWJ3N8RELS3Y2R6KWHU1M1P

LBP JUN 25 10:30:13 1996 8374382Z UNPLWJ3N8RELS3Y2R6KWHU1M1P