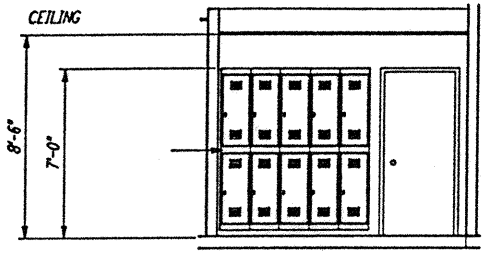
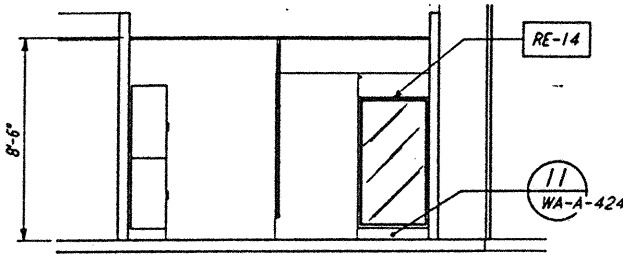


ENLARGED PLAN

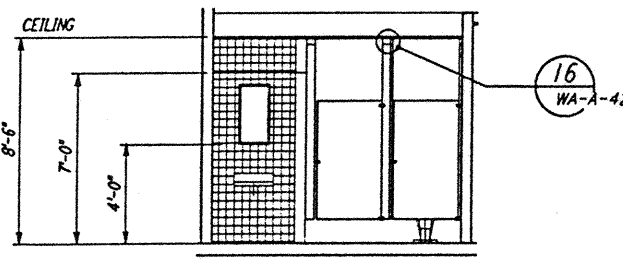
JANITOR 136 / SHOWER TOILET 137
 $\frac{1}{2}'' = 1'-0''$ REF WA-A-111 WA-A-108



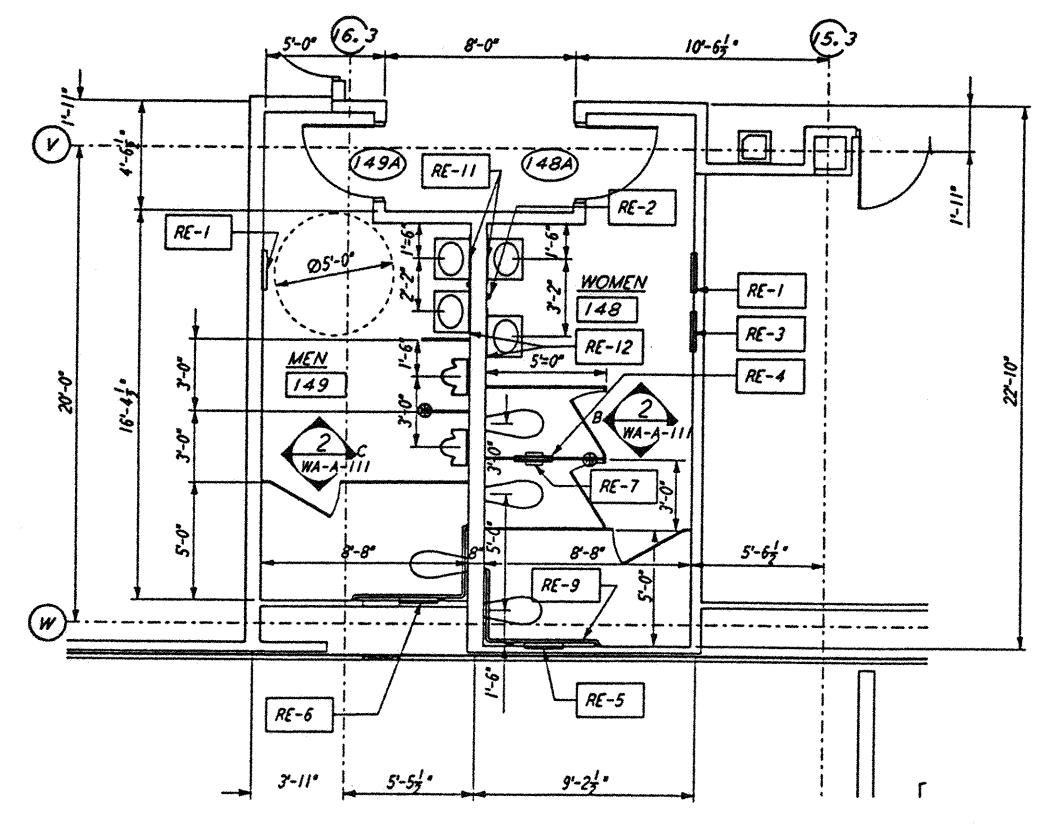
ELEVATION A



ELEVATION B

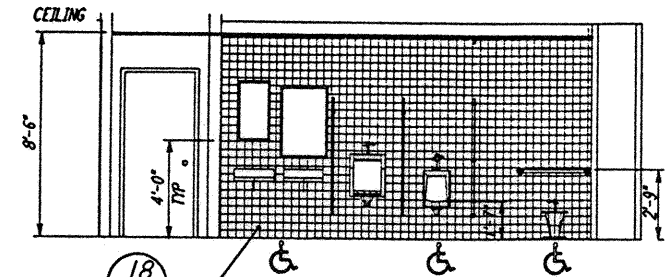


ELEVATION C

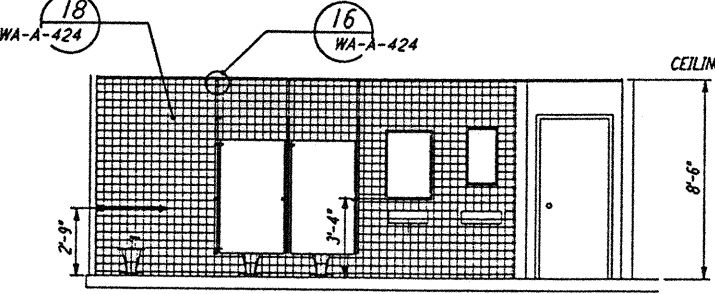


ENLARGED TOILET PLAN

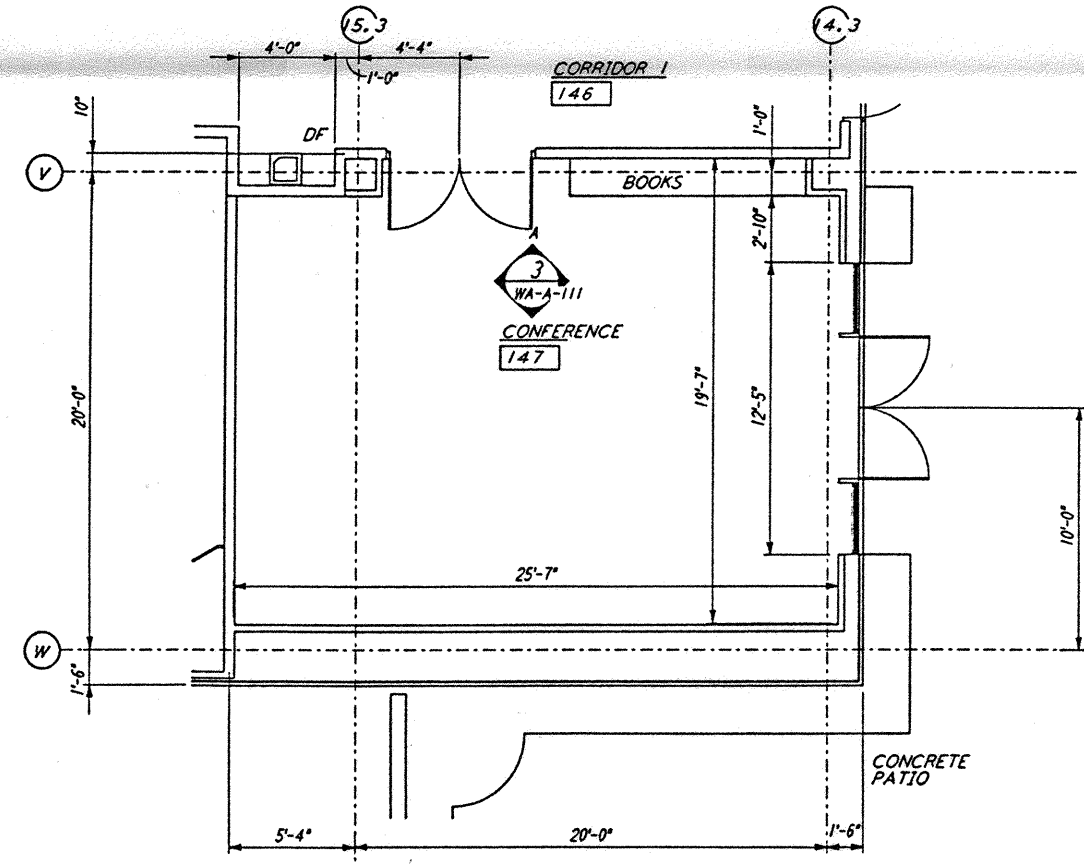
MEN 149 / WOMEN 148
 $\frac{1}{2}'' = 1'-0''$ REF WA-A-111 WA-A-108



ELEVATION C

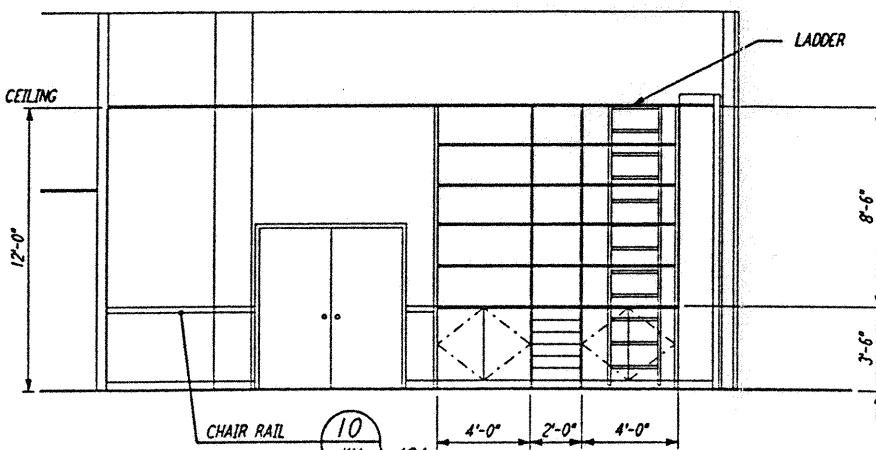


ELEVATION B

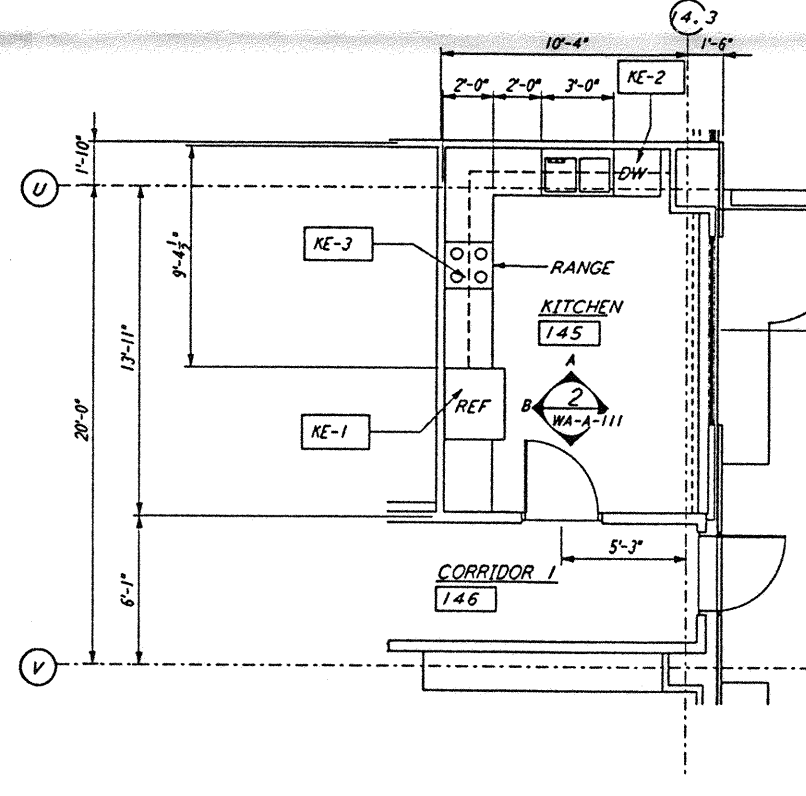


ENLARGED PLAN

CONFERENCE ROOM 147
 $\frac{1}{2}'' = 1'-0''$ REF WA-A-111 WA-A-108

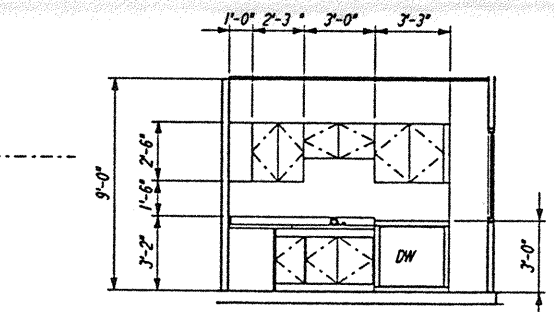


ELEVATION A

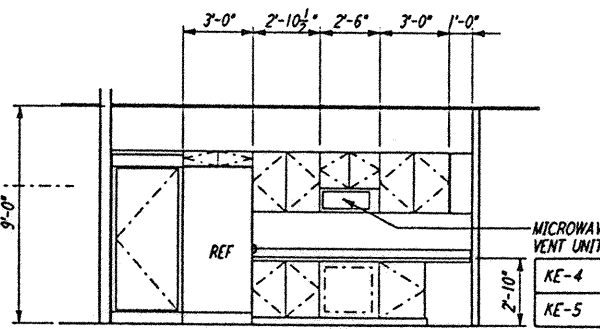


ENLARGED KITCHEN PLAN

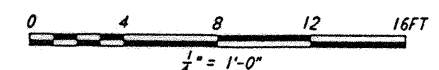
KITCHEN PLAN 145
 $\frac{1}{2}'' = 1'-0''$ REF WA-A-111 WA-A-108



ELEVATION A



ELEVATION B



$\frac{1}{2}'' = 1'-0''$

This document and the design it covers are the property of PARSONS. They are loaned only with the borrower's expressed written agreement that they will not be reproduced, copied, loaned, exhibited, or used in any other way, except by written consent from PARSONS to the borrower.

This document and the design it covers are the property of PARSONS. They are loaned only with the borrower's expressed written agreement that they will not be reproduced, copied, loaned, exhibited, or used in any other way, except by written consent from PARSONS to the borrower.

8 HP 67 L5X27D LTD 53700Z JVF LULI MALK J17002 UNL10111

108 HP 67 L5X27D LTD 53700Z JVF LULI MALK J17002 UNL10111

NO.	DATE	BY	CHKD	ENGR	PROJ	DESCRIPTION
B	4-19-96	SF	SF	SPDM		FINAL DESIGN REVIEW & BID
A	01/17/96	SF	SF	TDM		PRELIMINARY DESIGN REVIEW

DRAWN	CKT
CHECKED	
ENGINEER	
PROJ	

PARSONS
 100 WEST WALNUT STREET
 PASADENA, CALIFORNIA

LIGO
 CALIFORNIA INSTITUTE OF TECHNOLOGY
 MASSACHUSETTS INSTITUTE OF TECHNOLOGY

LASER INTERFEROMETER
 GRAVITATIONAL-WAVE OBSERVATORY
 SITE NO. 1 - HANFORD, WASHINGTON

ARCHITECTURAL
 CORNER STATION
 OSB ENLARGED PLANS

AS NOTED PP150969 8094
WA-A-111

LIGO-D960250-B-II

LIGOWAF3.BOR