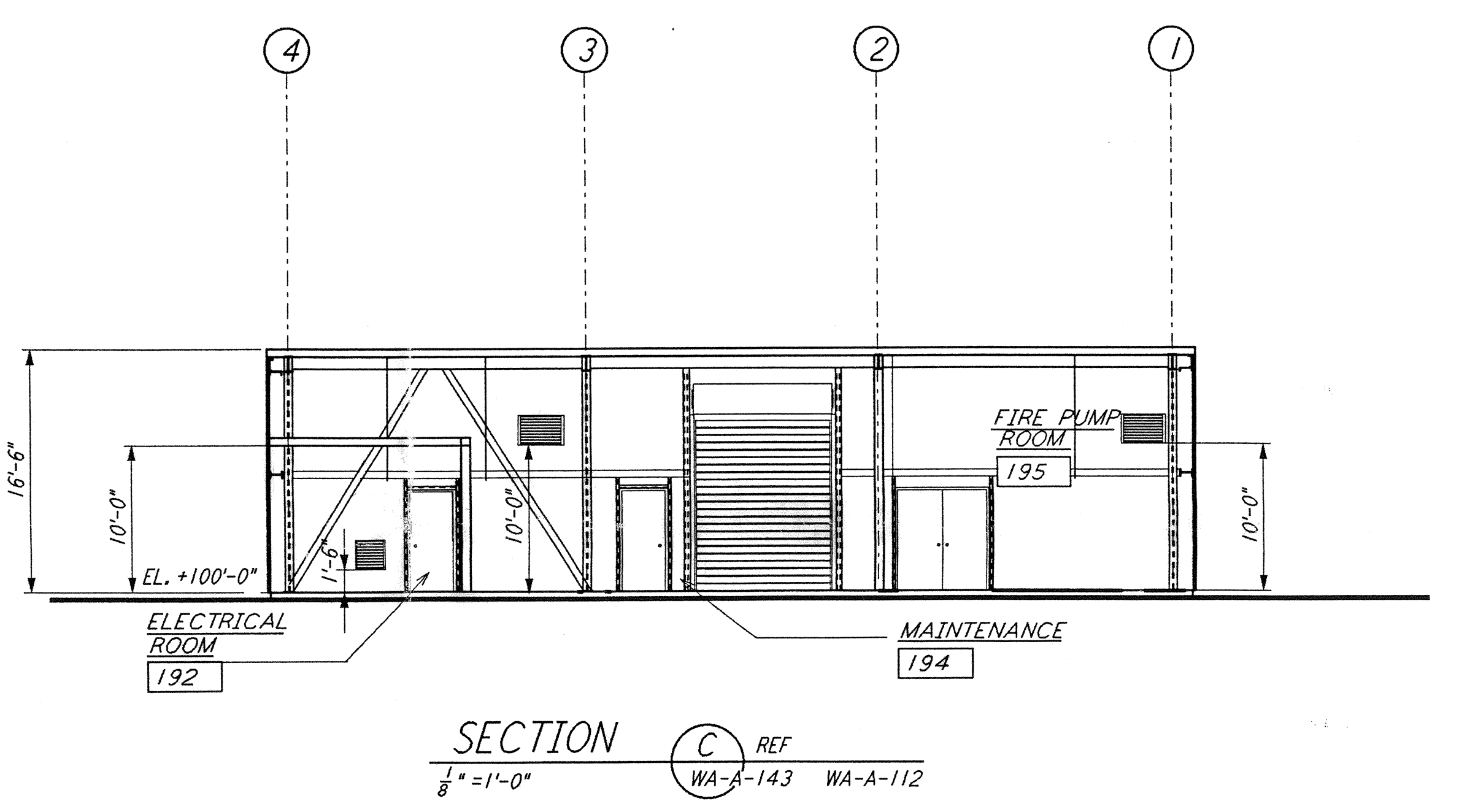
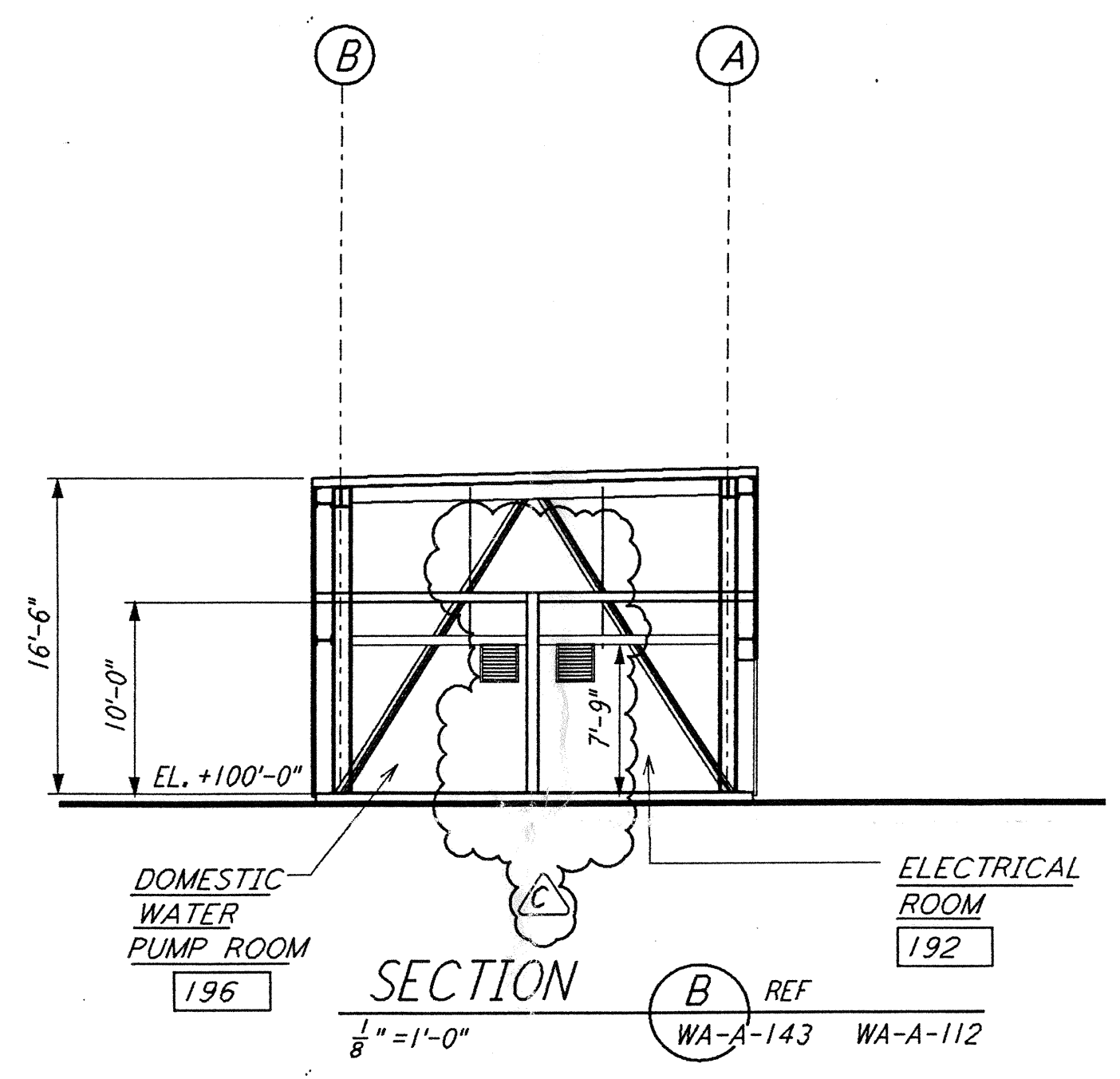
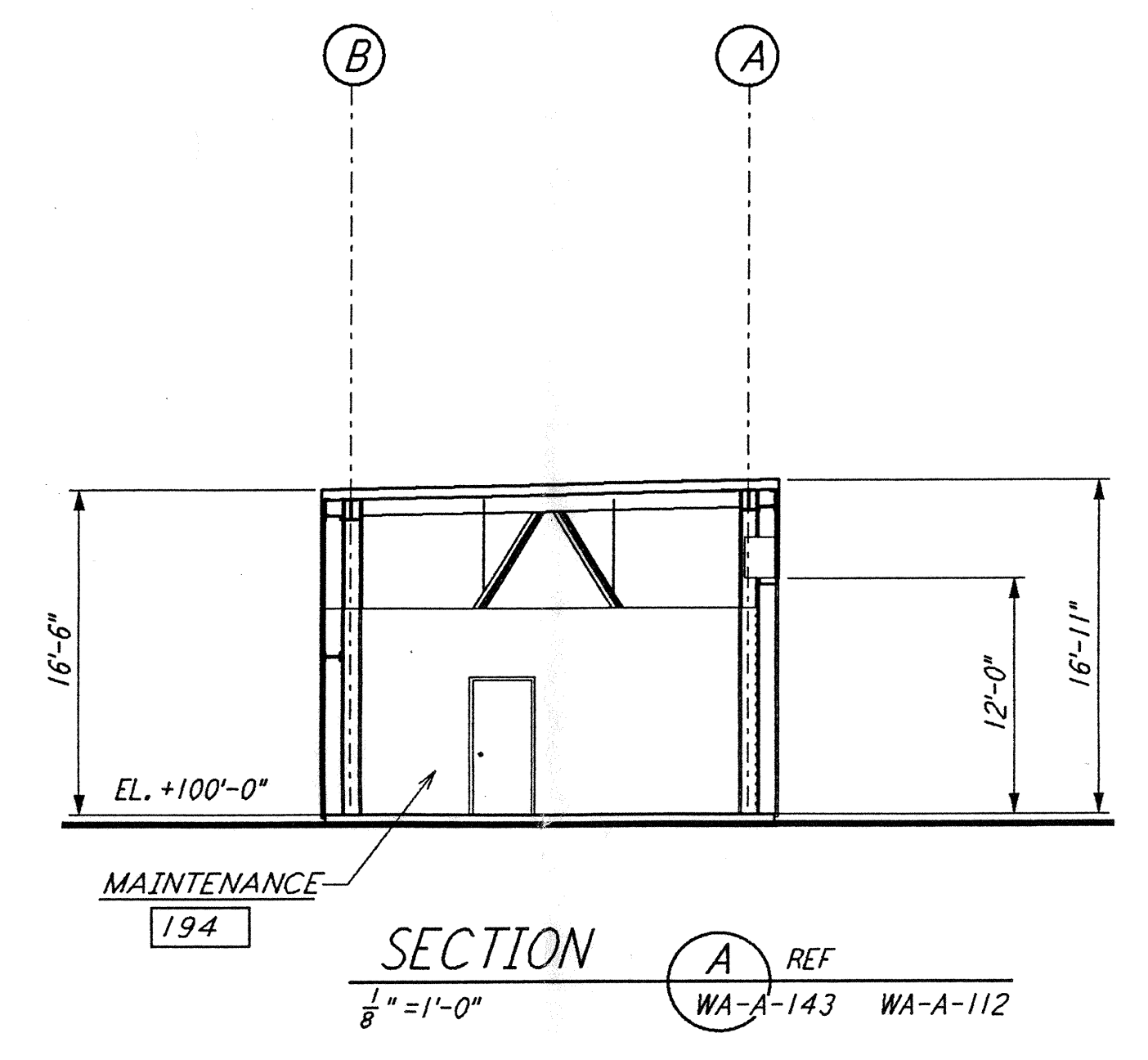
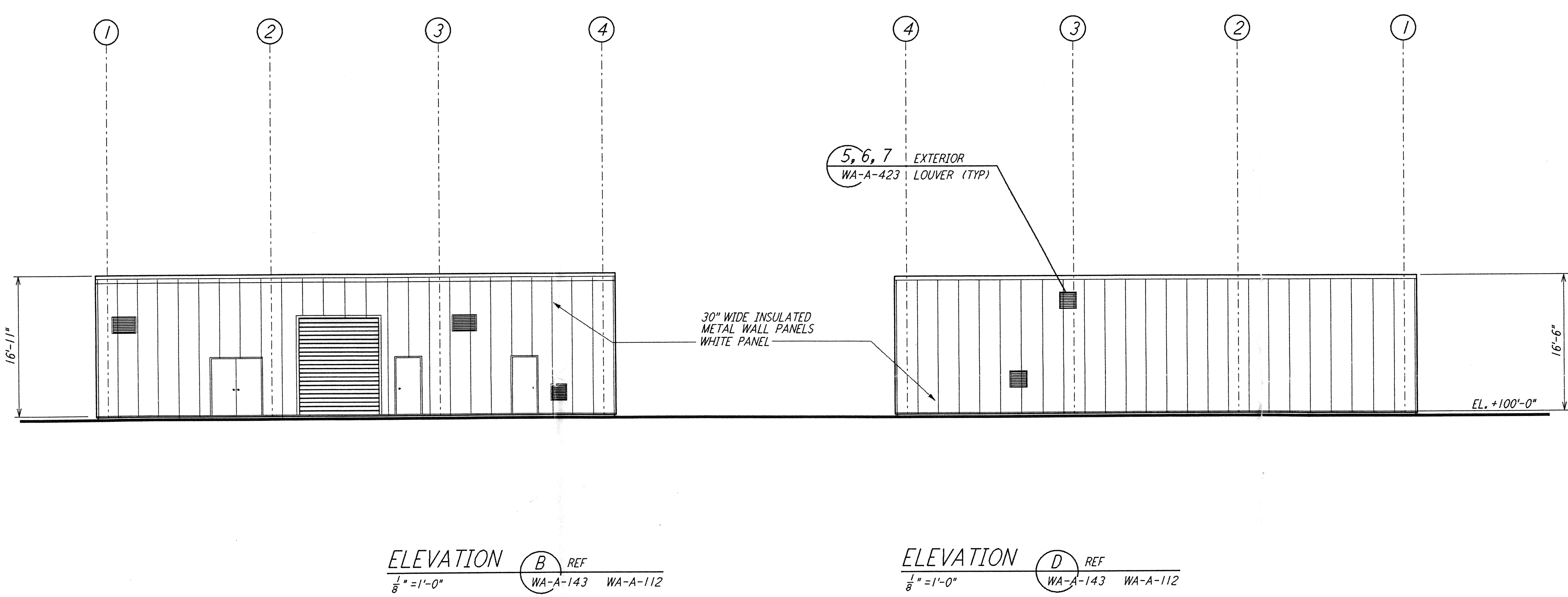
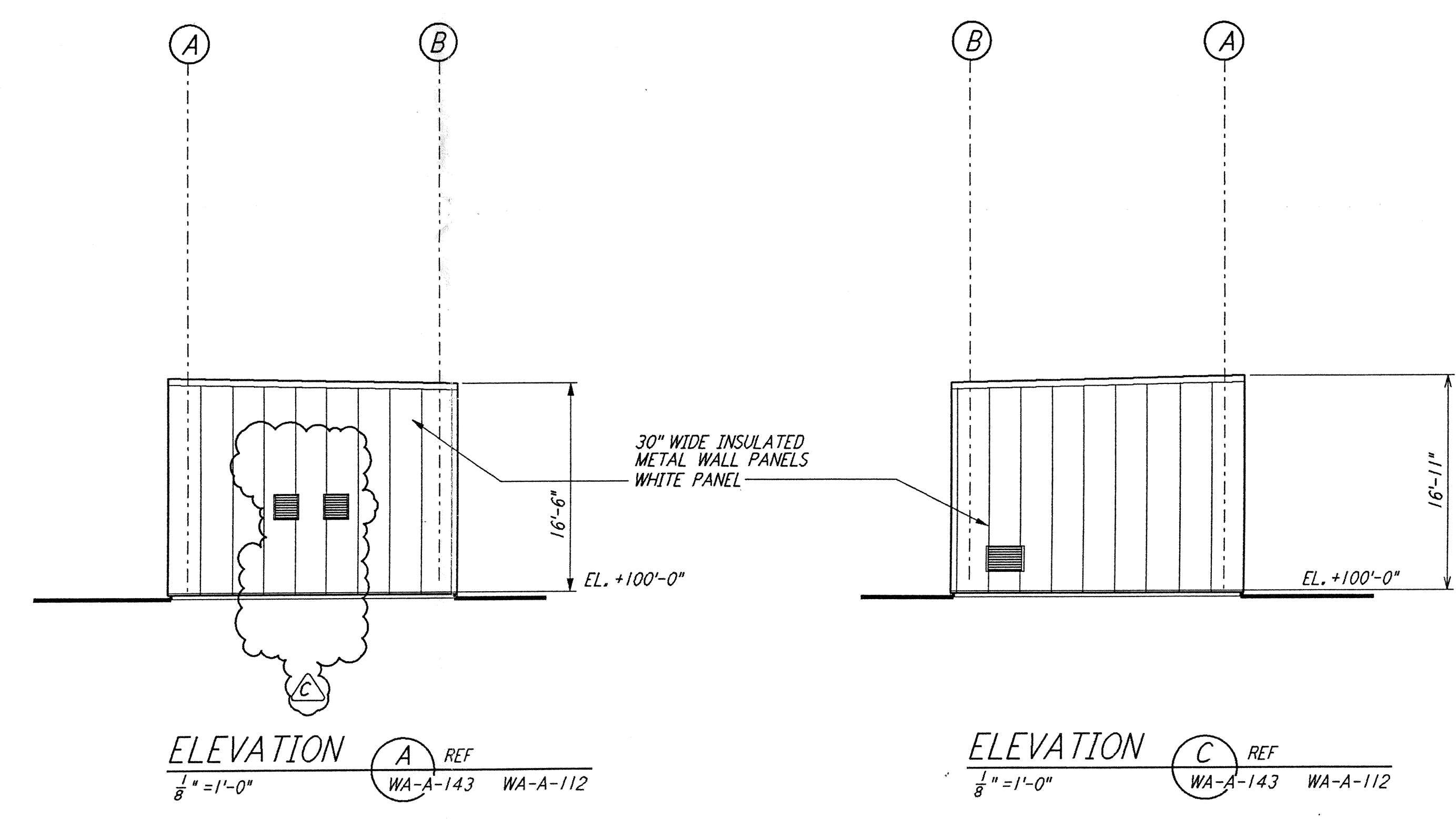


not be reproduced, copied, loaned, exhibited, or used in any other way, except by written consent from PARSONS to the borrower.

This document and the design it covers are the property of PARSONS. They are loaned only with the borrower's expressed written agreement that they will



DATUM POINT EL +100.00 = 531.11' (LVEA)  
 DATUM POINT EL +100.00 = 531.11' (OSB)  
 DATUM POINT EL +100.00 = 532.50' (MAINTENANCE BLDG)

0 8 16 24 32 FT  
 $\frac{1}{8}'' = 1'-0''$

LIGO-D960255-C-O

NO.	DATE	BY	CHKD	ENGR	PROJ	DESCRIPTION
C	5-22-96	BK	BK	SF	TDM	BID ADDENDUM #2
B	4-19-96	SF	SF	TDM		FINAL DESIGN REVIEW & BID
A	01/17/96	SF	SF	TDM		PRELIMINARY DESIGN REVIEW

DRAWN	CKT
CHECKED	
ENGINEER	
PROJ	

**PARSONS**  
 100 WEST WALNUT STREET  
 PASADENA, CALIFORNIA

**LIGO**  
 CALIFORNIA INSTITUTE OF TECHNOLOGY  
 MASSACHUSETTS INSTITUTE OF TECHNOLOGY

LASER INTERFEROMETER  
 GRAVITATIONAL-WAVE OBSERVATORY  
 SITE NO. 1 - HANFORD, WASHINGTON

TITLE	ARCHITECTURAL CORNER STATION MAINTENANCE BUILDING ELEVATIONS/SECTIONS	SCALE	PP150969	PROJECT NUMBER	8094
SHEET NUMBER	<b>WA-A-143</b>	REVISIONS			