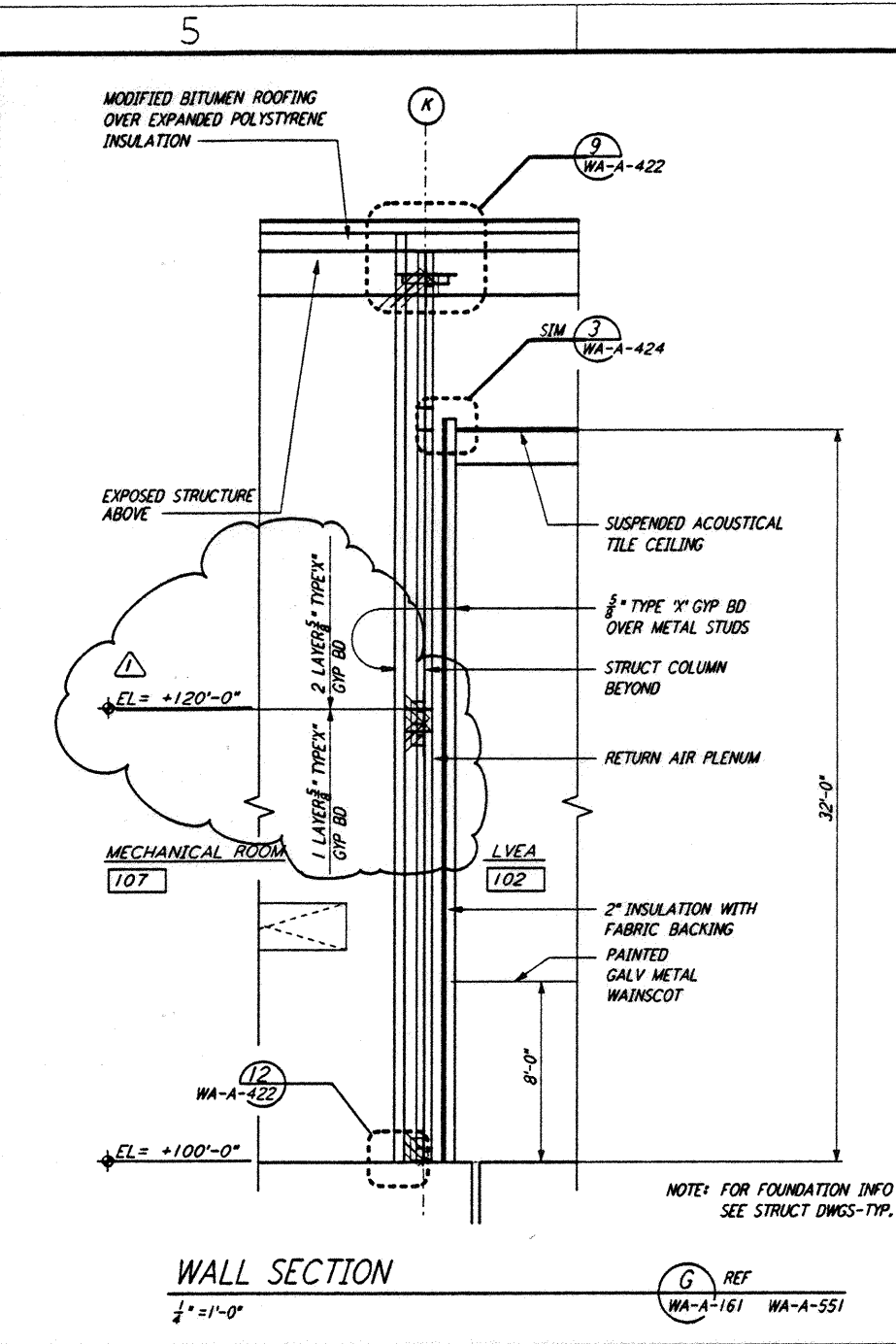
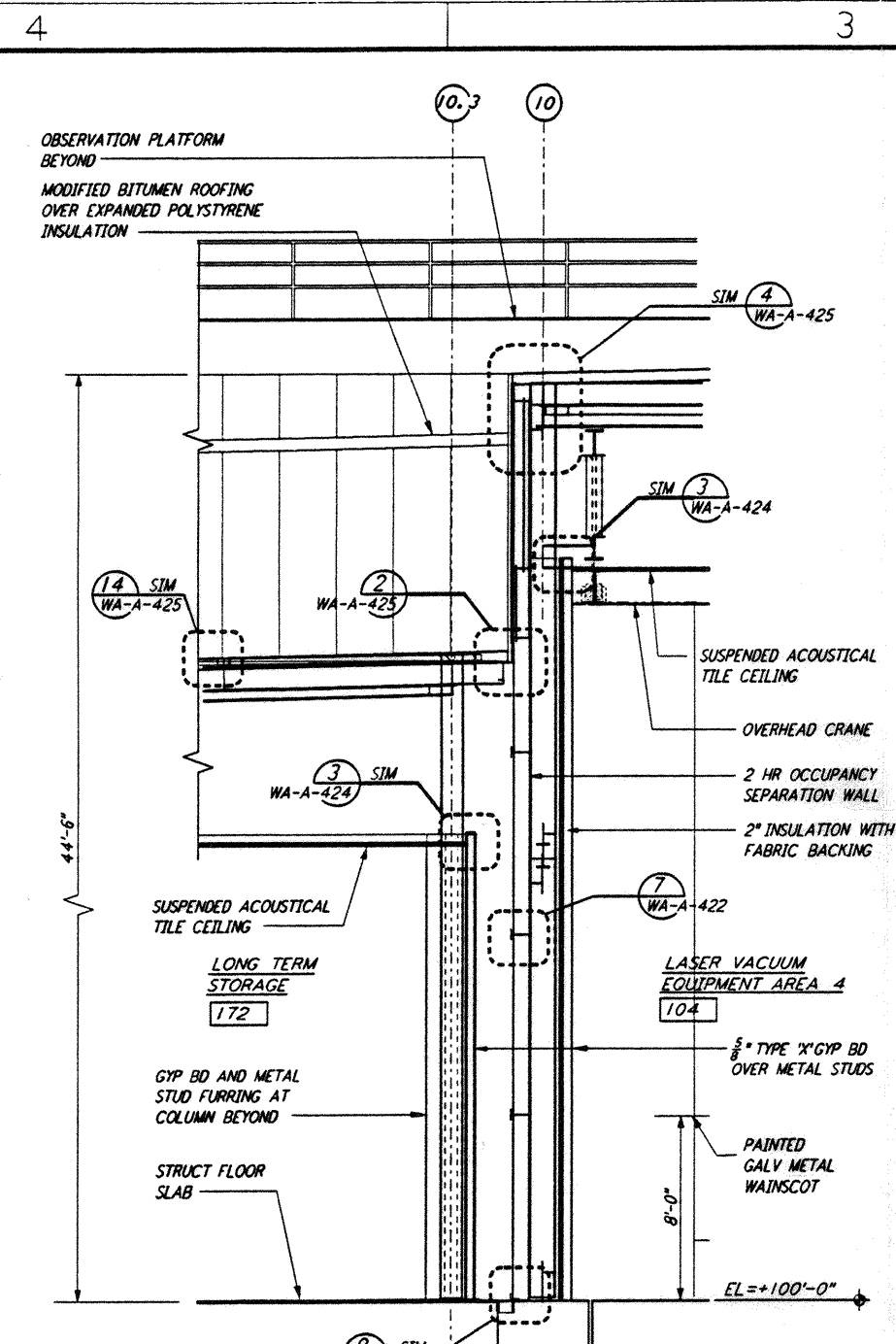


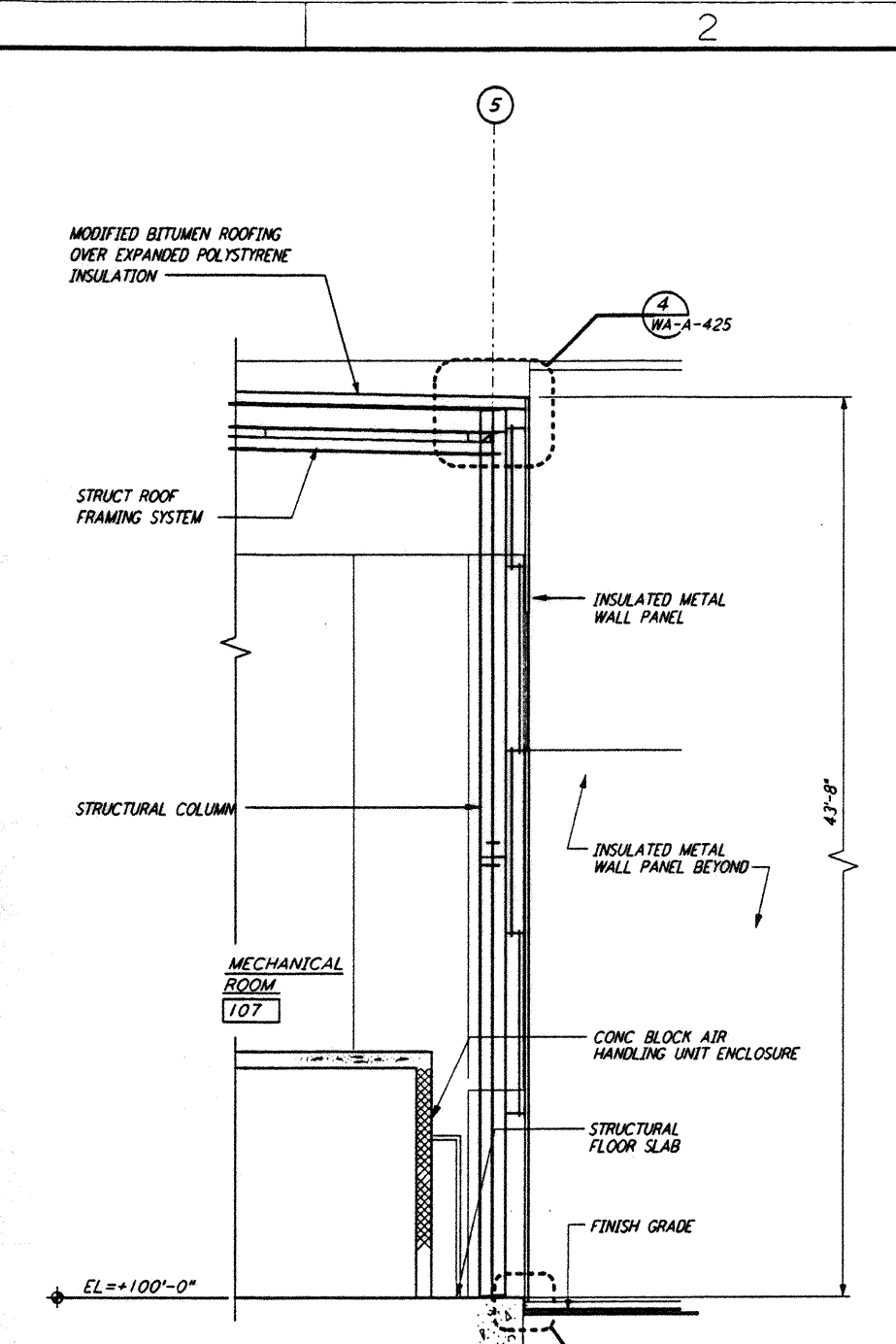
This document and the design it covers are the property of PARSONS. They are loaned only with the borrower's expressed written agreement that they will not be reproduced, copied, loaned, exhibited, or used in any other way, except by written consent from PARSONS to the borrower.



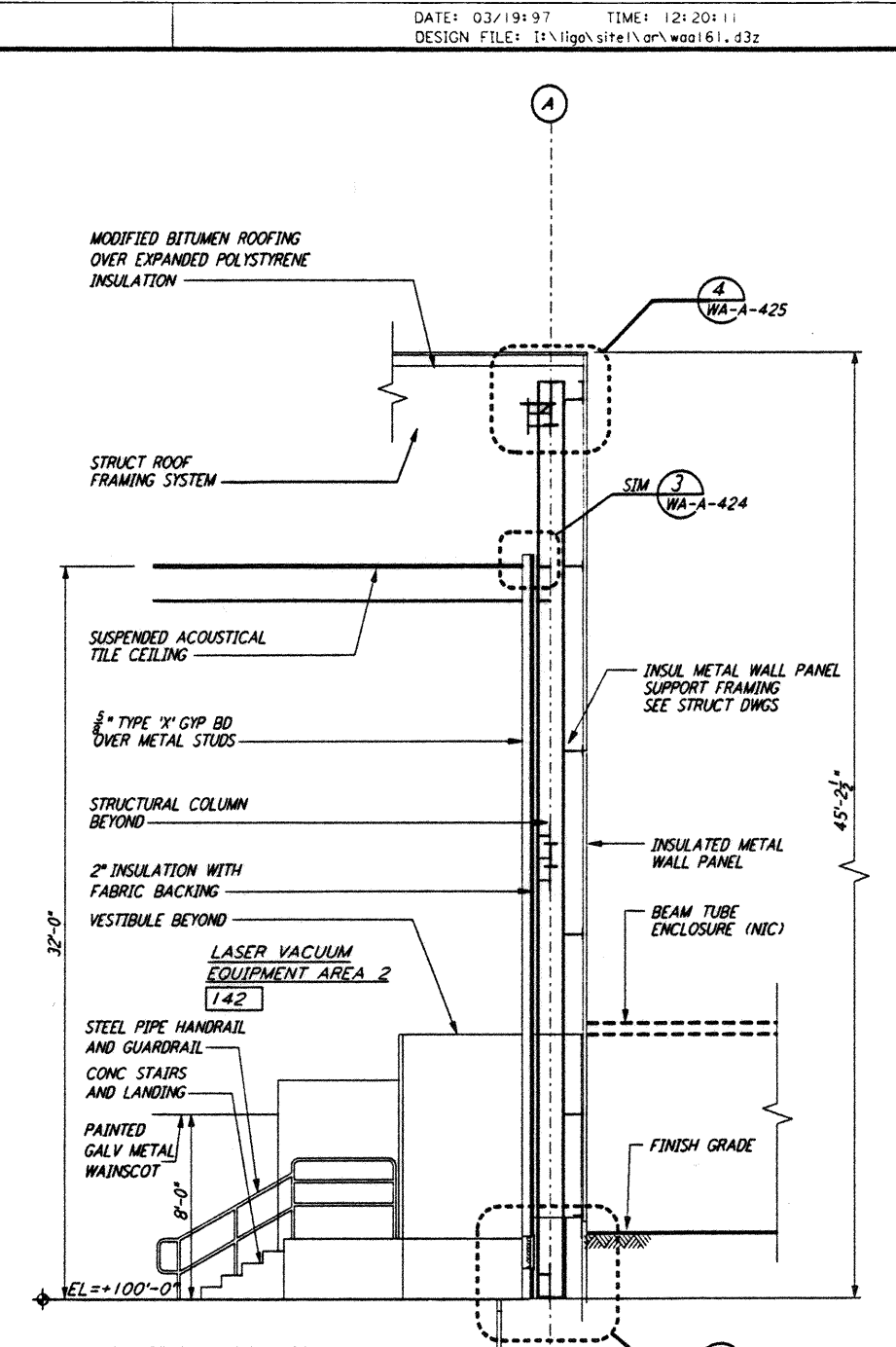
**WALL SECTION**  
 1/2" = 1'-0"  
 REF: WA-A-161 WA-A-551



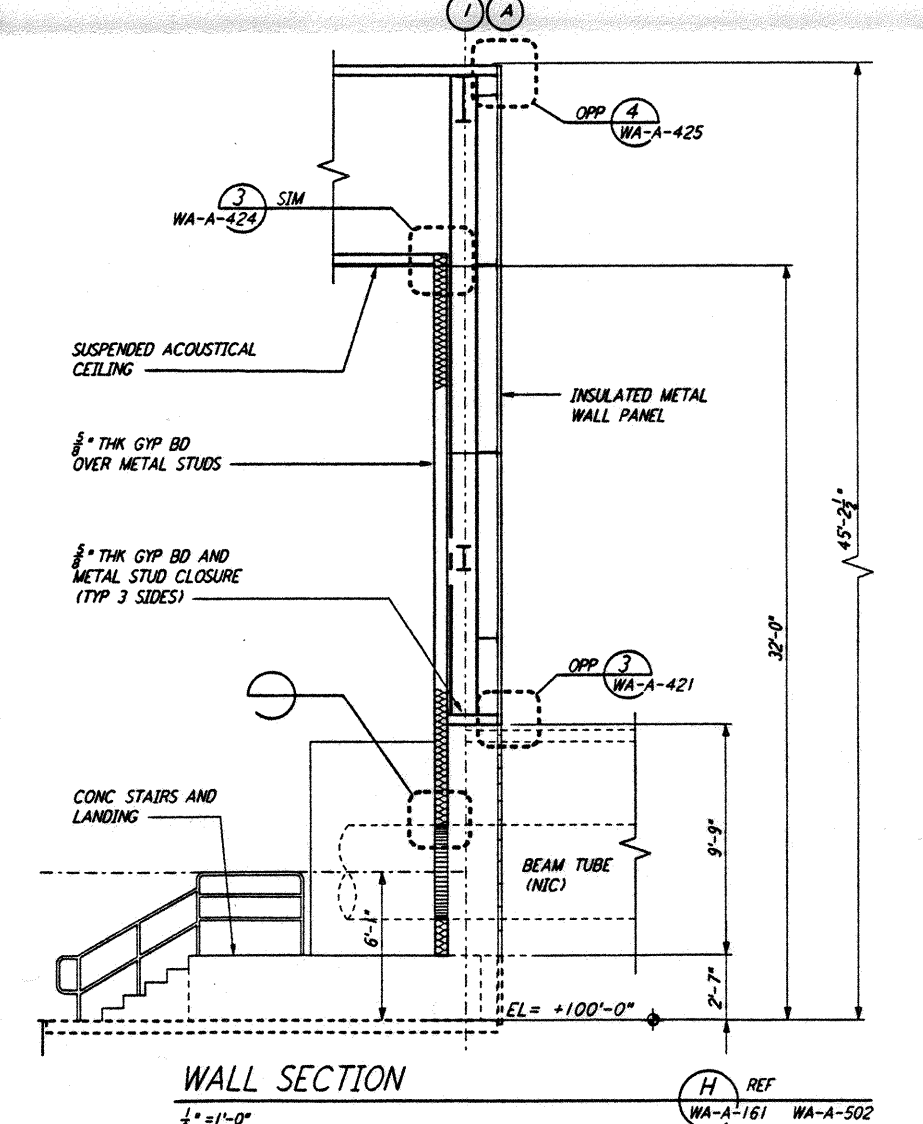
**WALL SECTION**  
 1/2" = 1'-0"  
 REF: WA-A-161 WA-A-551



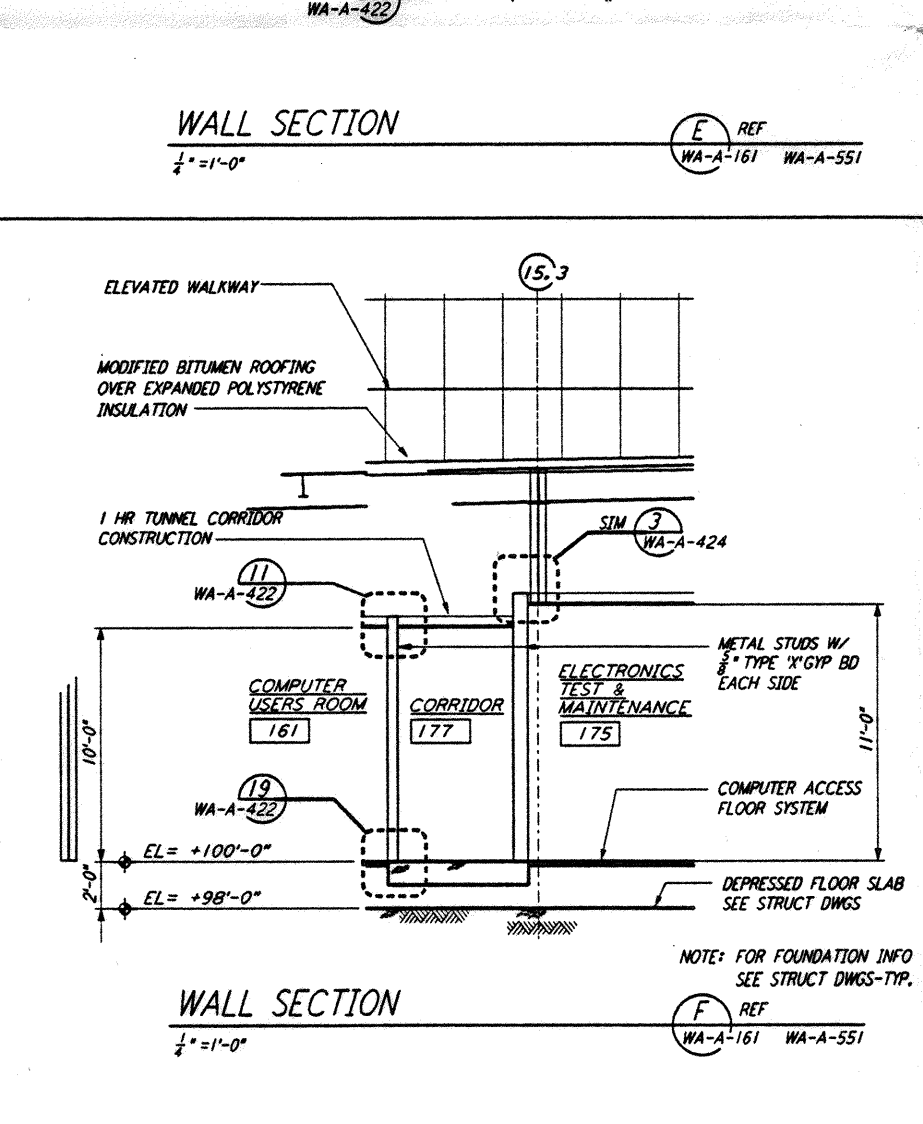
**WALL SECTION**  
 1/2" = 1'-0"  
 REF: WA-A-161 WA-A-551



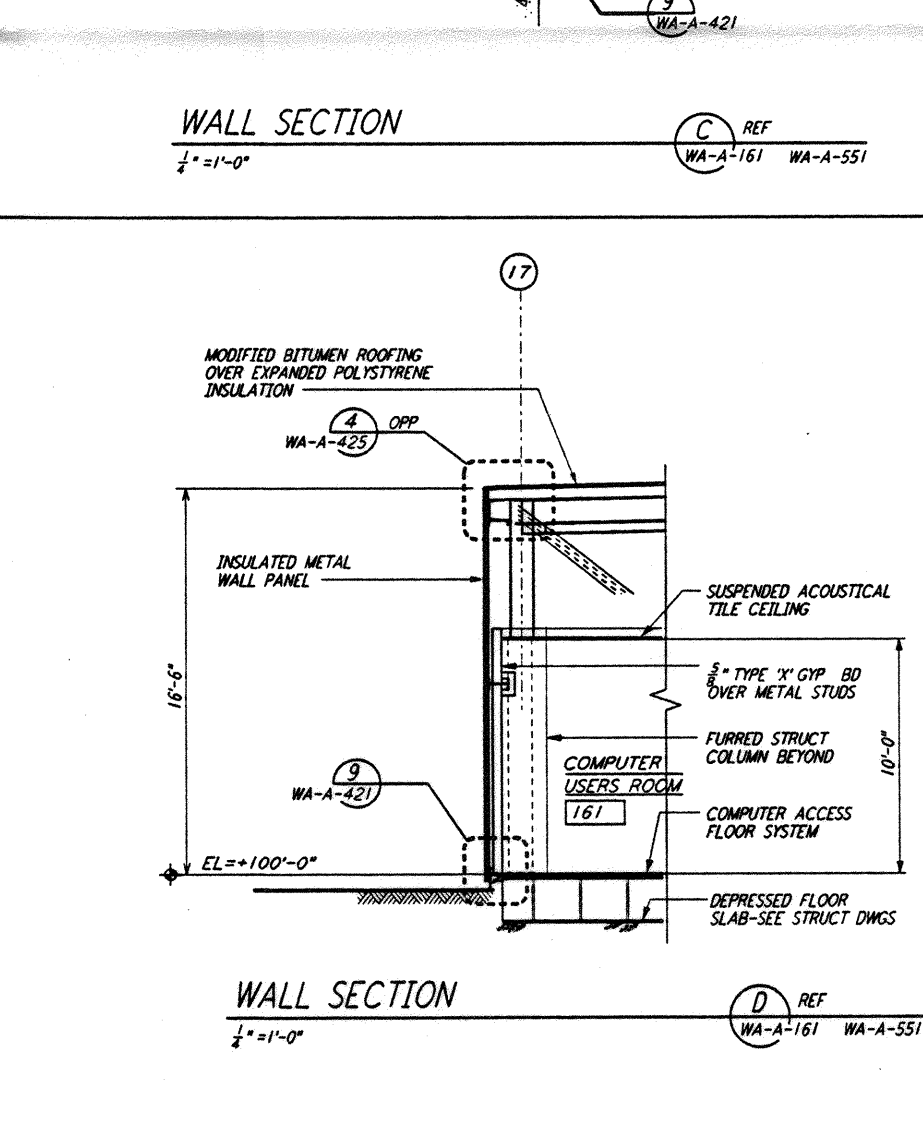
**WALL SECTION**  
 1/2" = 1'-0"  
 REF: WA-A-161 WA-A-551



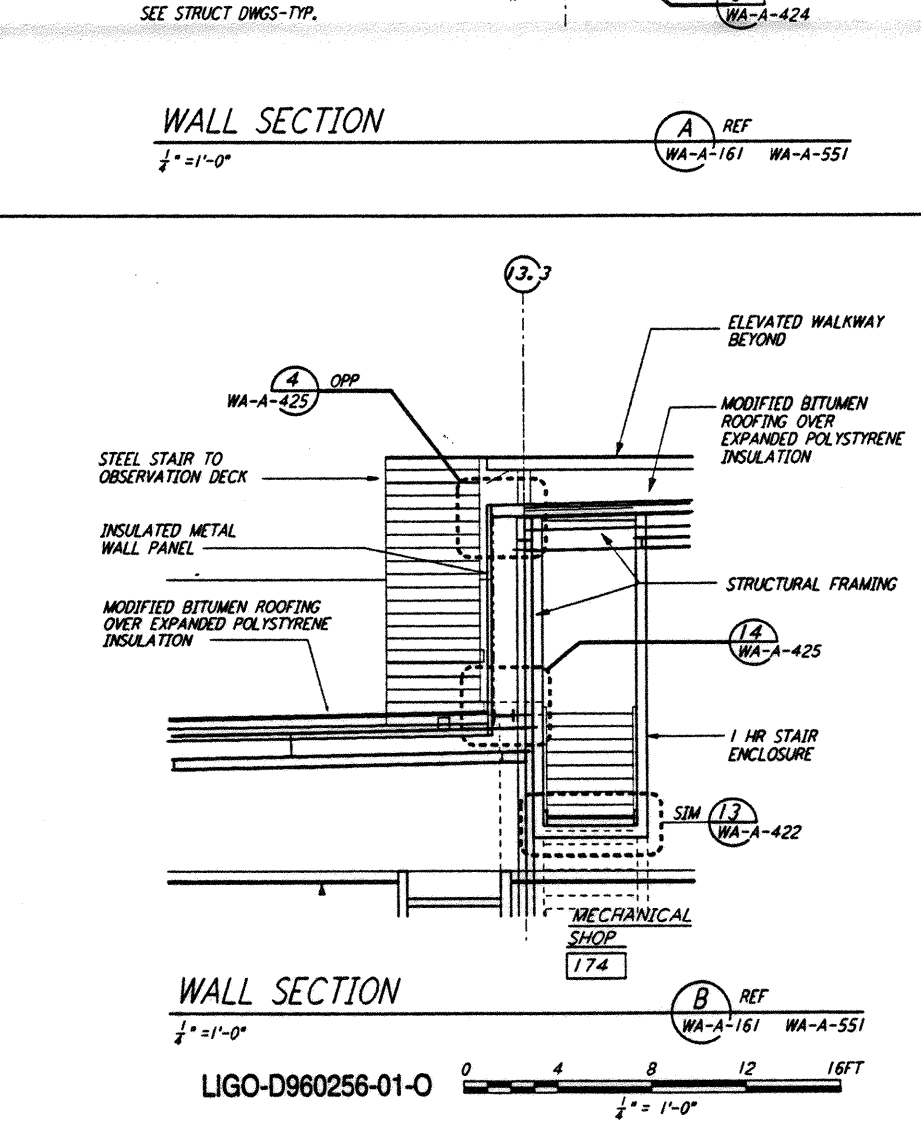
**WALL SECTION**  
 1/2" = 1'-0"  
 REF: WA-A-161 WA-A-502



**WALL SECTION**  
 1/2" = 1'-0"  
 REF: WA-A-161 WA-A-551



**WALL SECTION**  
 1/2" = 1'-0"  
 REF: WA-A-161 WA-A-551



**WALL SECTION**  
 1/2" = 1'-0"  
 REF: WA-A-161 WA-A-551

LIGO-D960256-01-0  
 SCALE: 1/2" = 1'-0"  
 0 4 8 12 16 FT

NO.	DATE	BY	CHKD	ENGR	PROJ	DESCRIPTION
1	2-28-97	CKT	TB	AK	TDM	CORNER STATION VSEA PARTITION

ISSUED FOR CONSTRUCTION	DATE: 5-12-96
DRAWN: BK/CKT	DATE: 5-12-96
CHECKED: TB	DATE: 5-26-96
ENGINEER: DMK	DATE: 7-12-96
PROJ: MDW	DATE: 7-12-96

100 WEST WALNUT STREET  
PASADENA, CALIFORNIA

CALIFORNIA INSTITUTE OF TECHNOLOGY  
MASSACHUSETTS INSTITUTE OF TECHNOLOGY

LASER INTERFEROMETER  
GRAVITATIONAL-WAVE OBSERVATORY  
SITE NO. 1 - HANFORD, WASHINGTON

ARCHITECTURAL  
CORNER STATION  
WALL SECTIONS  
SHEET 1

PROJECT NUMBER: PP150969 8094  
 SHEET NUMBER: WA-A-161

5 4 3 2 1  
 A B C D E