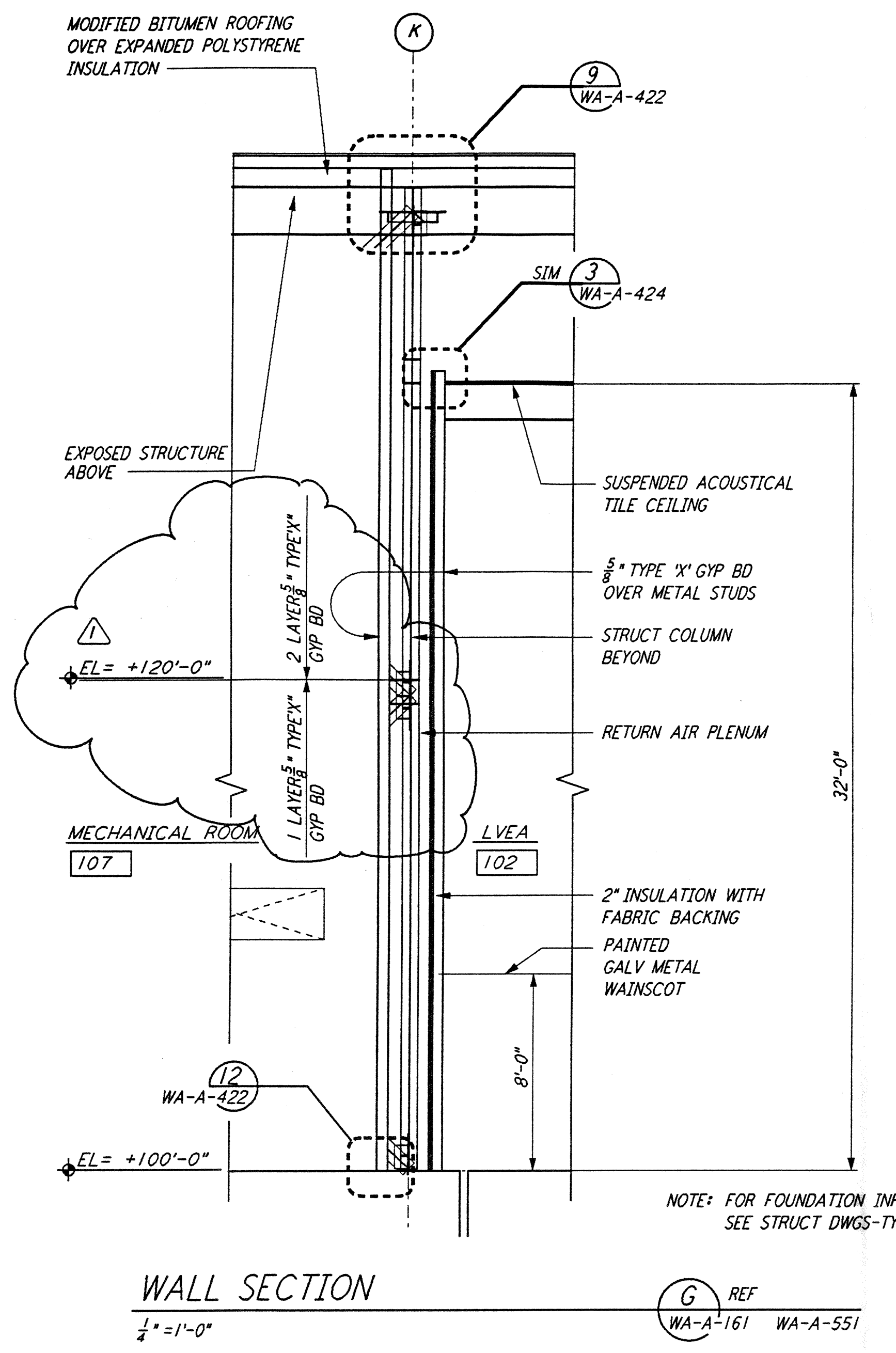
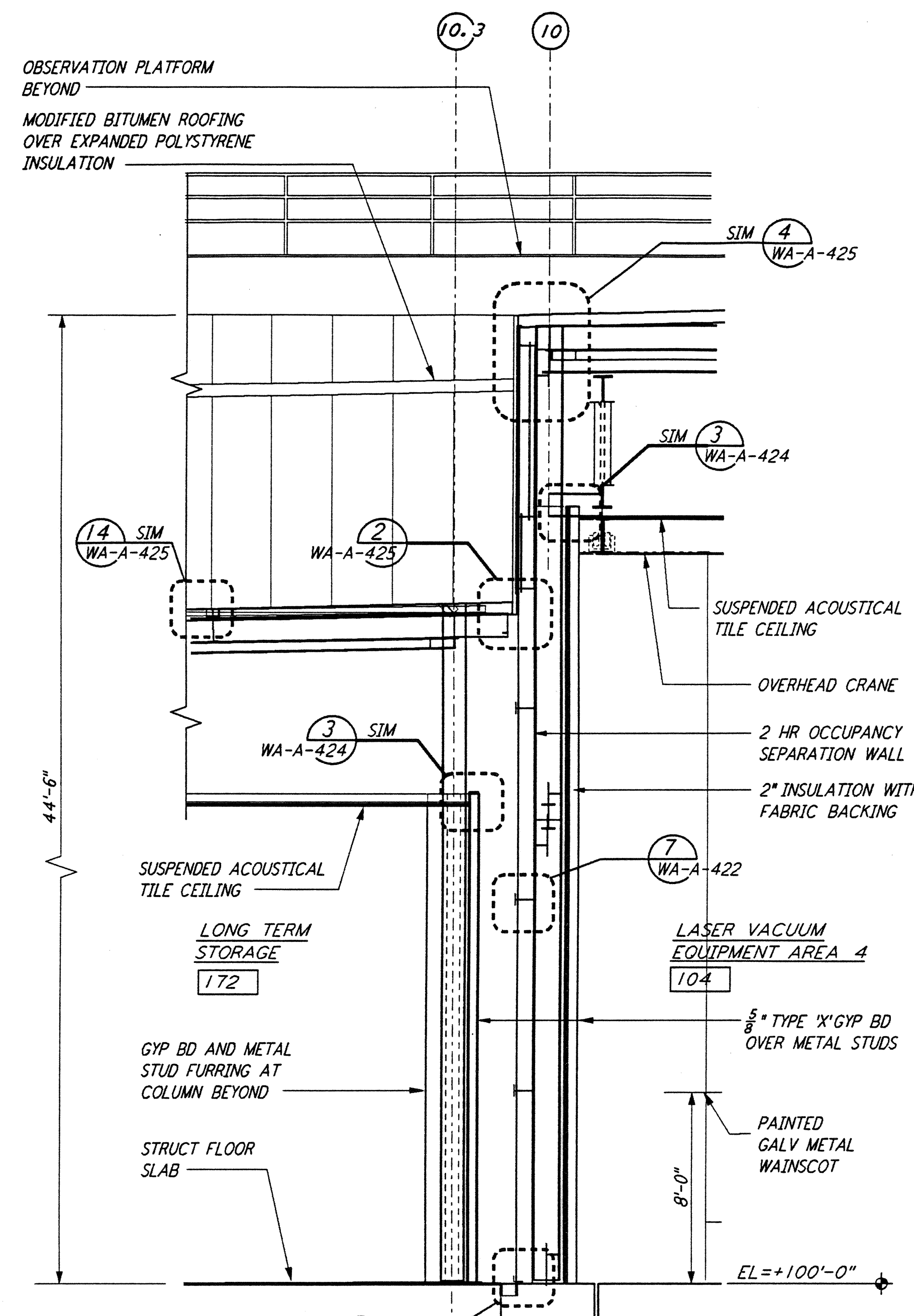


This document and the design it covers are the property of PARSONS. They are loaned only with the borrower's expressed written agreement that they will not be reproduced, copied, loaned, exhibited, or used in any other way, except by written consent from PARSONS to the borrower.

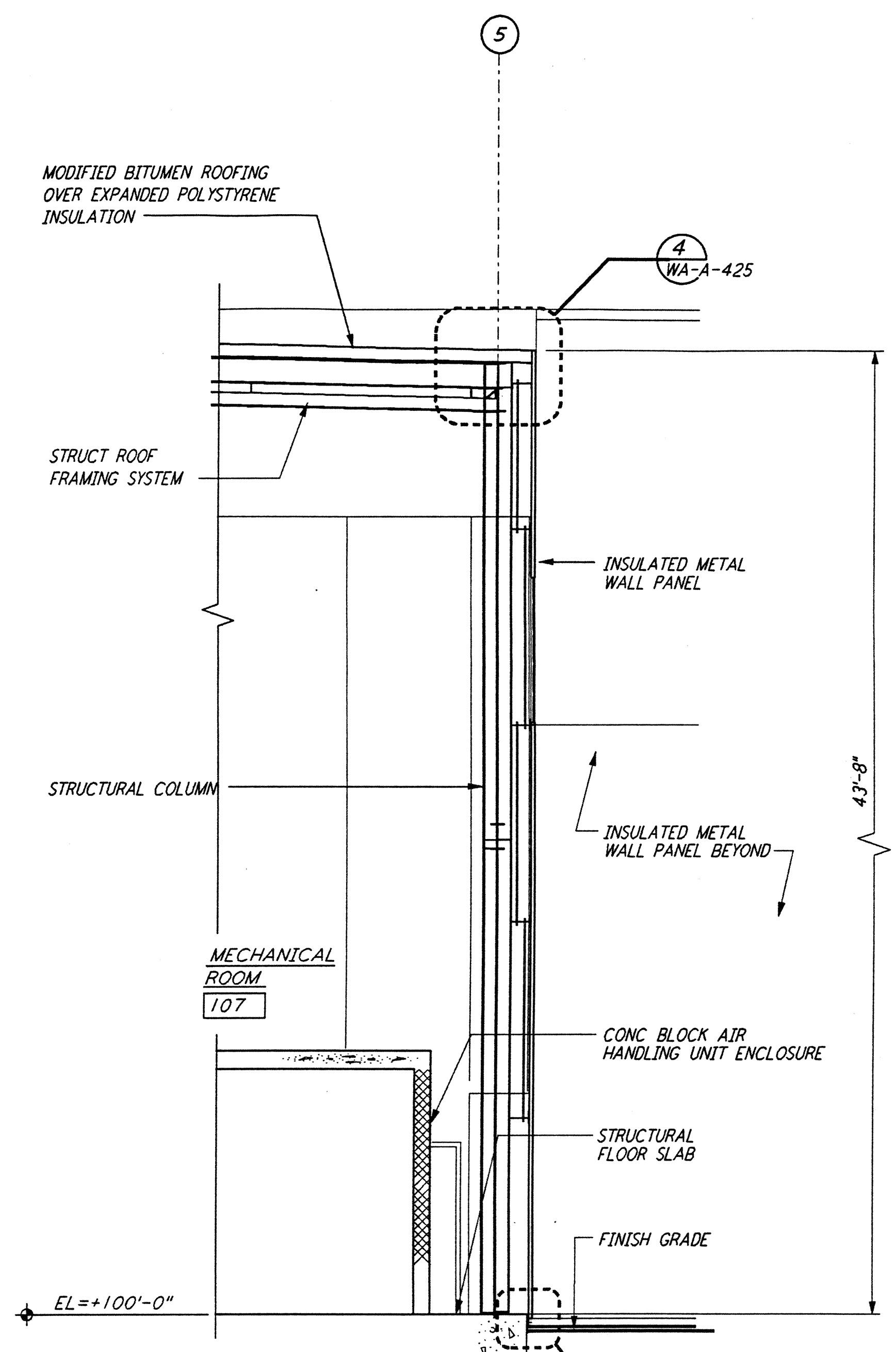
This document and the design it covers are the property of PARSONS. They are loaned only with the borrower's expressed written agreement that they will not be reproduced, copied, loaned, exhibited, or used in any other way, except by written consent from PARSONS to the borrower.



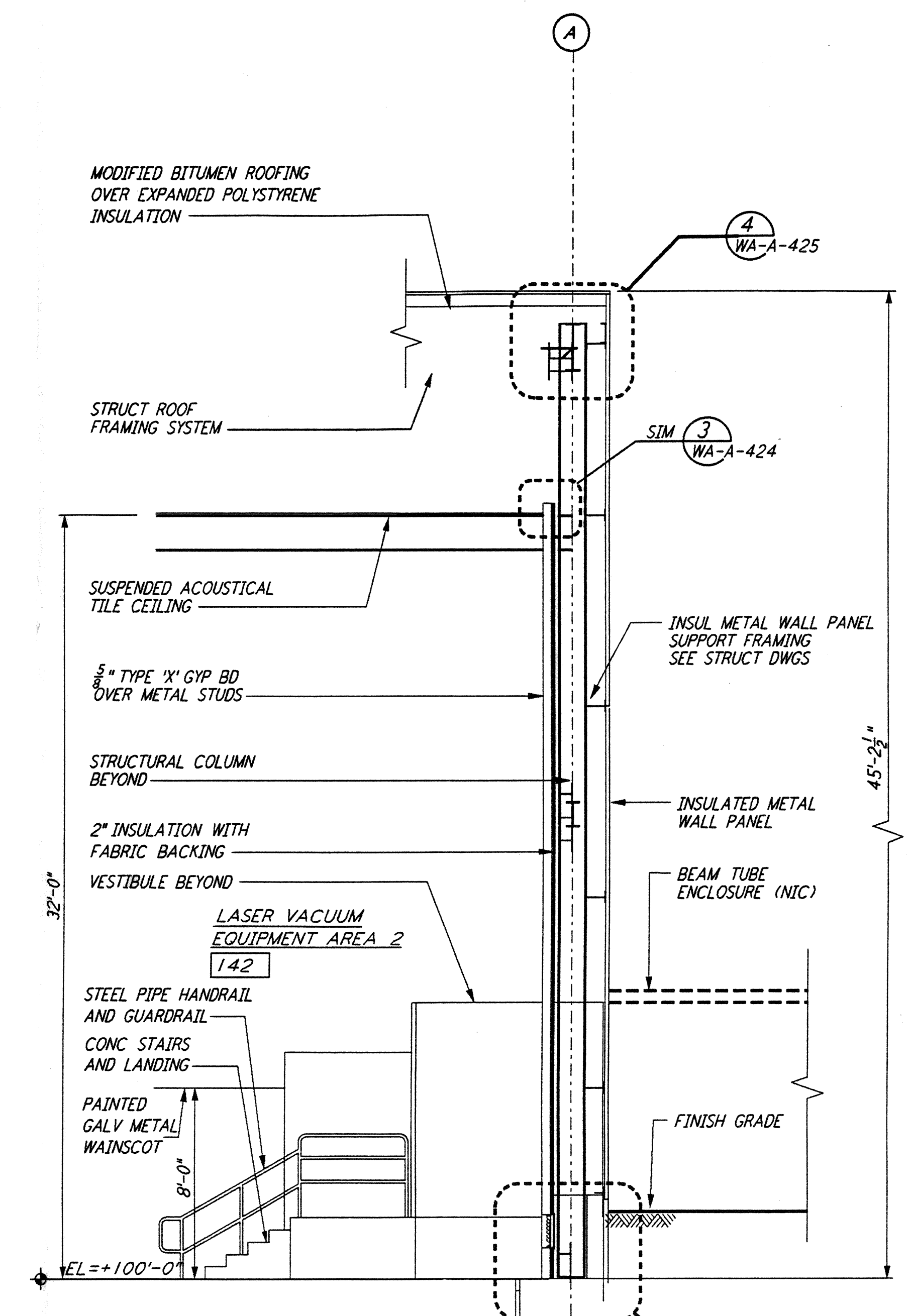
WALL SECTION G
 1/4" = 1'-0"
 REF: WA-A-161 WA-A-551



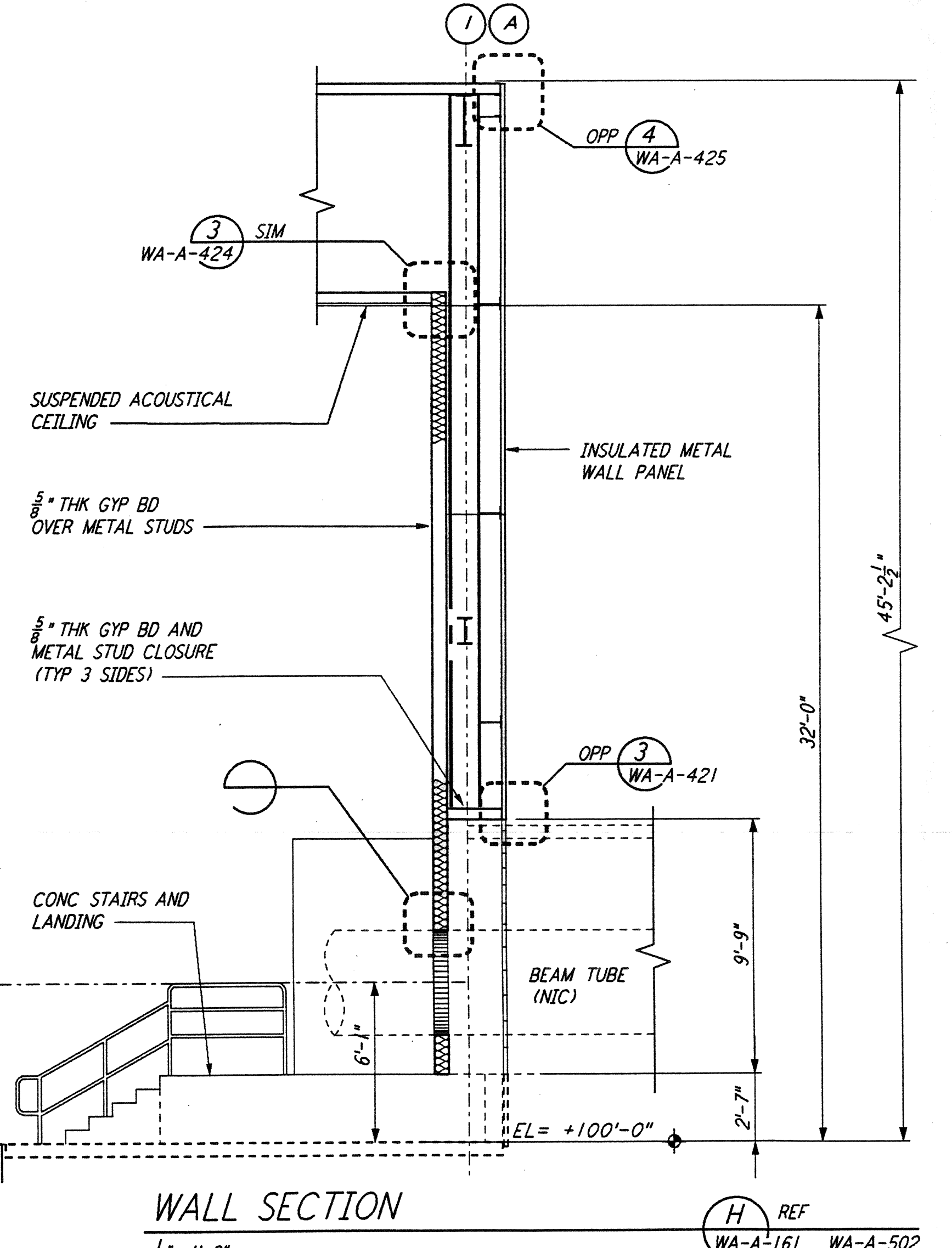
WALL SECTION E
 1/4" = 1'-0"
 REF: WA-A-161 WA-A-551



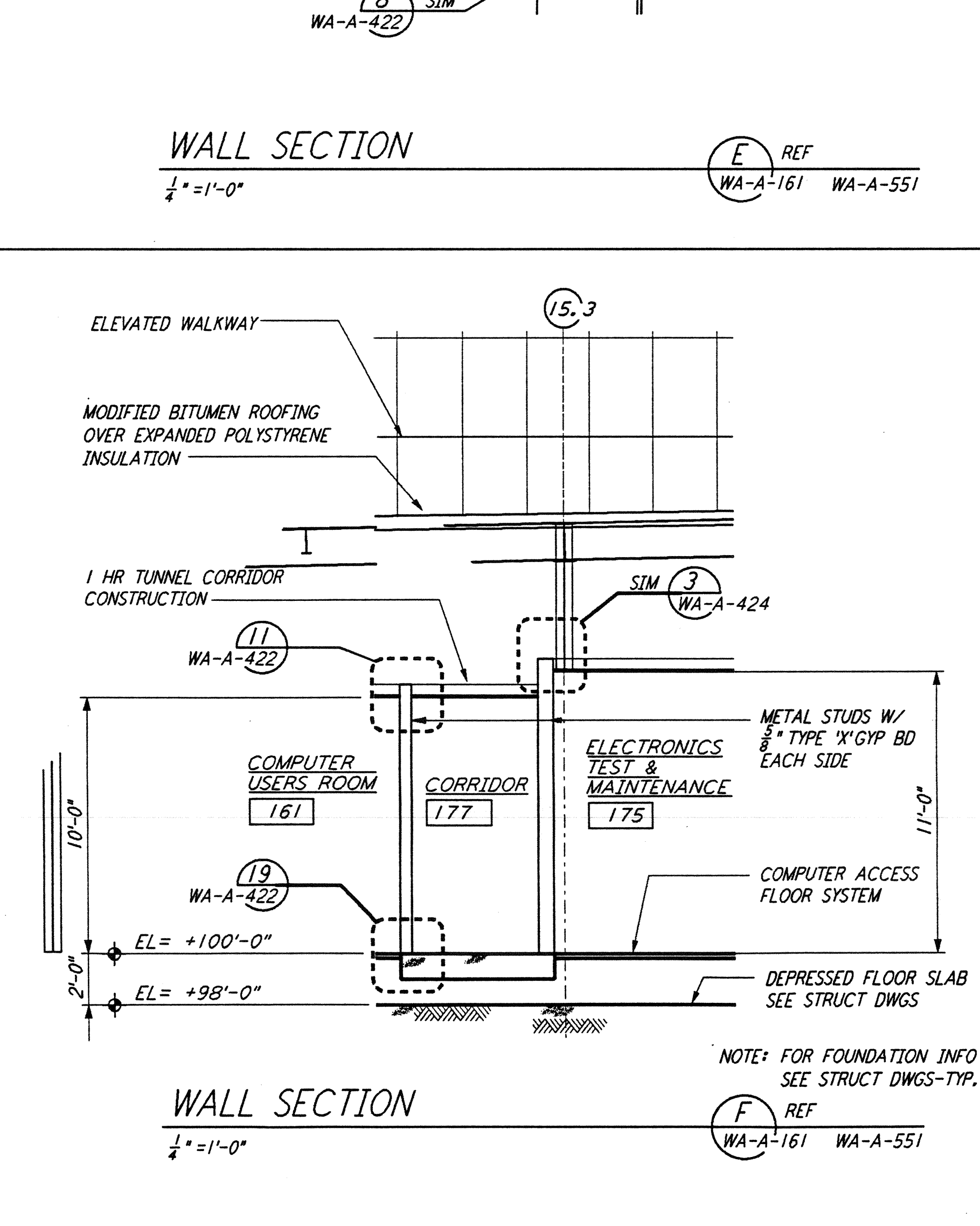
WALL SECTION C
 1/4" = 1'-0"
 REF: WA-A-161 WA-A-551



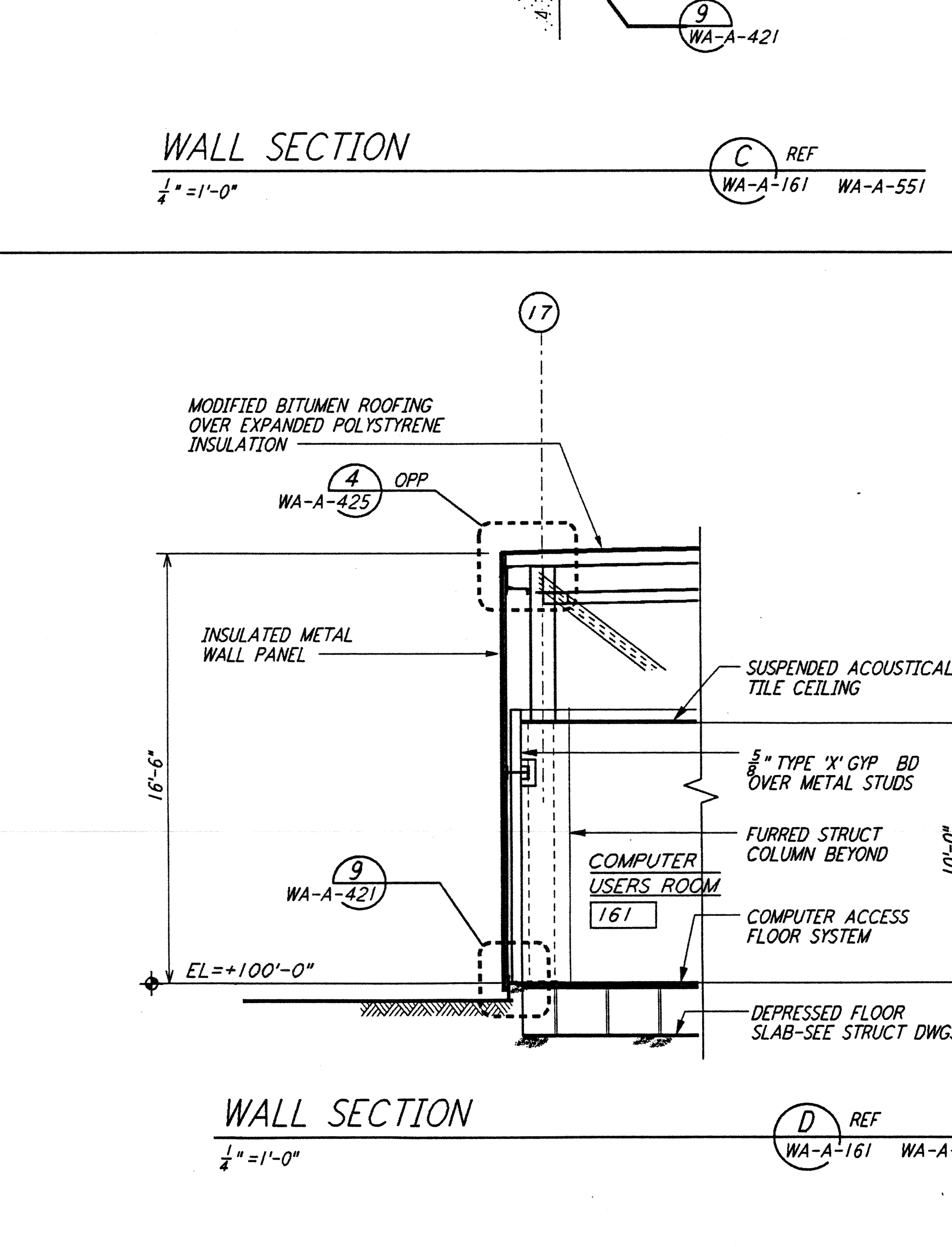
WALL SECTION A
 1/4" = 1'-0"
 REF: WA-A-161 WA-A-551



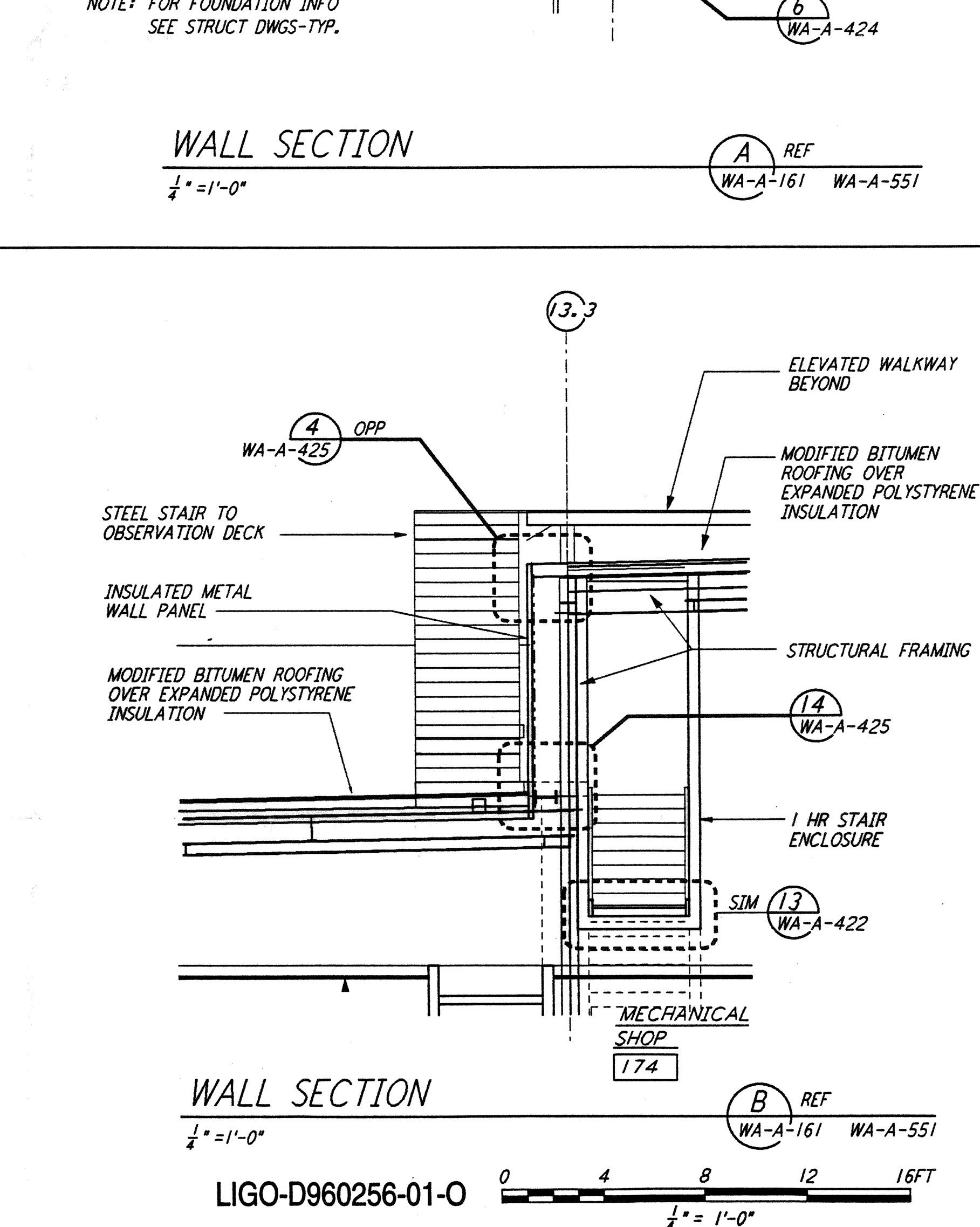
WALL SECTION H
 1/4" = 1'-0"
 REF: WA-A-161 WA-A-502



WALL SECTION F
 1/4" = 1'-0"
 REF: WA-A-161 WA-A-551



WALL SECTION D
 1/4" = 1'-0"
 REF: WA-A-161 WA-A-551



WALL SECTION B
 1/4" = 1'-0"
 REF: WA-A-161 WA-A-551

LIGO-D960256-01-0
 0 4 8 12 16 FT
 1/4" = 1'-0"

NO.	DATE	BY	CHKD	ENGR	PROJ	DESCRIPTION
1	2-28-97	CKT	TB	AK	JDM	CORNER STATION VSEA PARTITION

ISSUED FOR CONSTRUCTION	5-12-96
DRAWN	BK/CKT
CHECKED	TB
ENGINEER	BKR
PROJ	MDW

6629 REGISTERED ARCHITECT
 ALEX ANDREW KRILL
 STATE OF WASHINGTON
 3/23/97

PARSONS
 100 WEST WALNUT STREET
 PASADENA, CALIFORNIA

LIGO
 CALIFORNIA INSTITUTE OF TECHNOLOGY
 MASSACHUSETTS INSTITUTE OF TECHNOLOGY

LASER INTERFEROMETER
 GRAVITATIONAL-WAVE OBSERVATORY
 SITE NO. 1 - HANFORD, WASHINGTON

ARCHITECTURAL
 CORNER STATION
 WALL SECTIONS
 SHEET 1

SCALE: CONTRACT NUMBER: PPI50969 8094
 SHEET NUMBER: **WA-A-161**

1997 3/23/97 s3v386Z KAPLOUSV00DES3V38Z0RIBRHPH