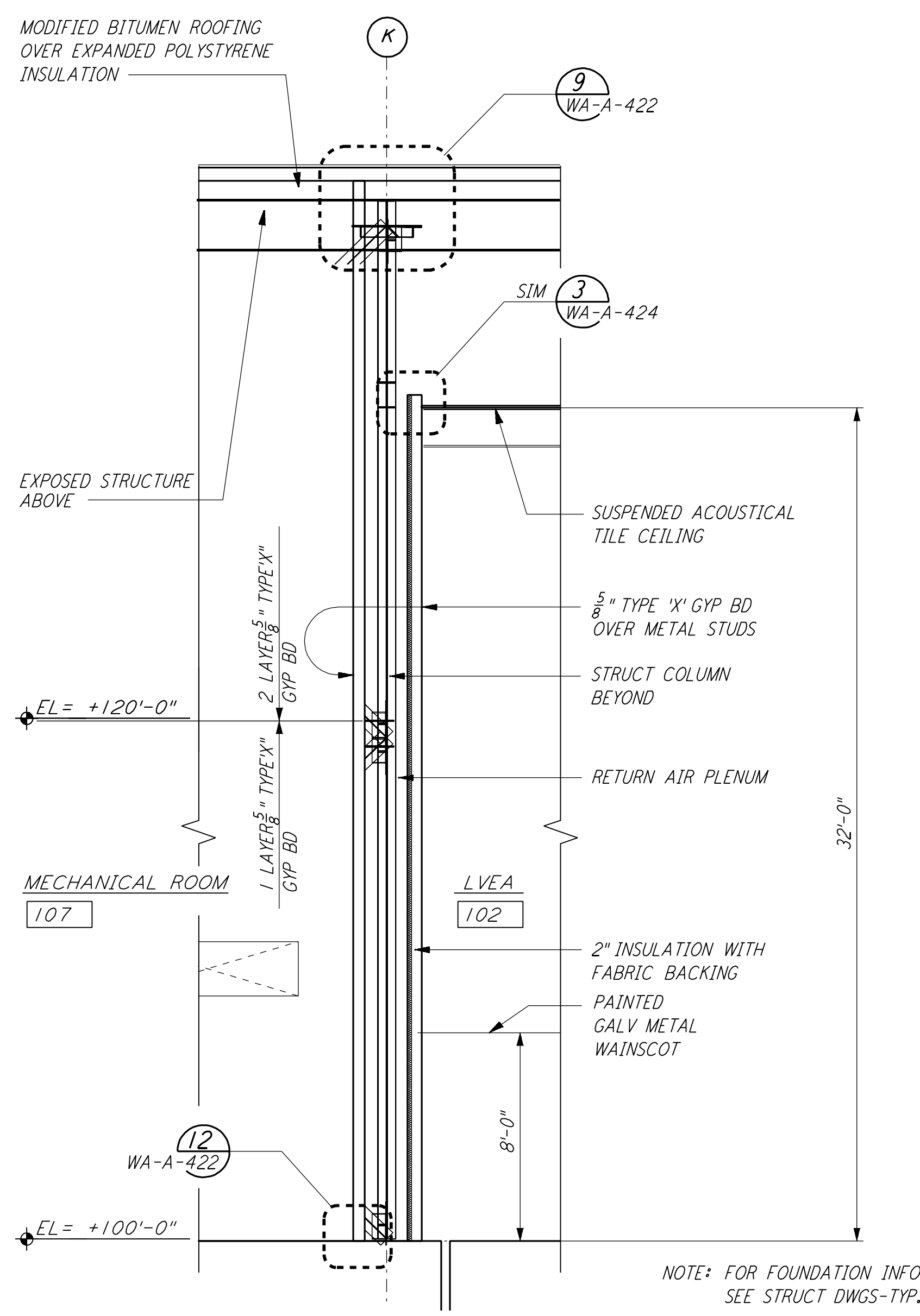
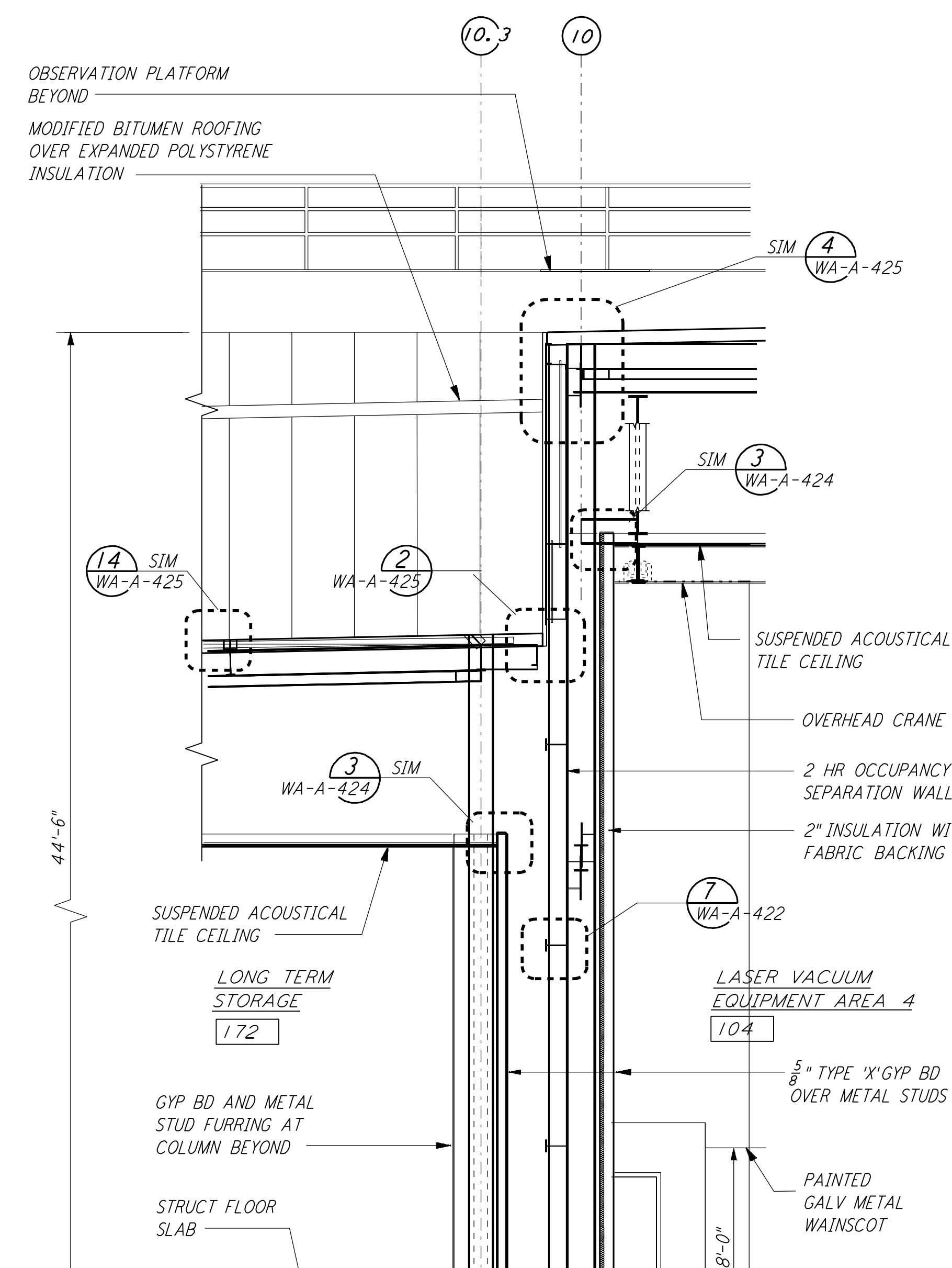


This document and the design it covers are the property of PARSONS. They are loaned only with the borrower's expressed written agreement that they will not be reproduced, copied, loaned, exhibited, or used in any other way, except by written consent from PARSONS to the borrower.

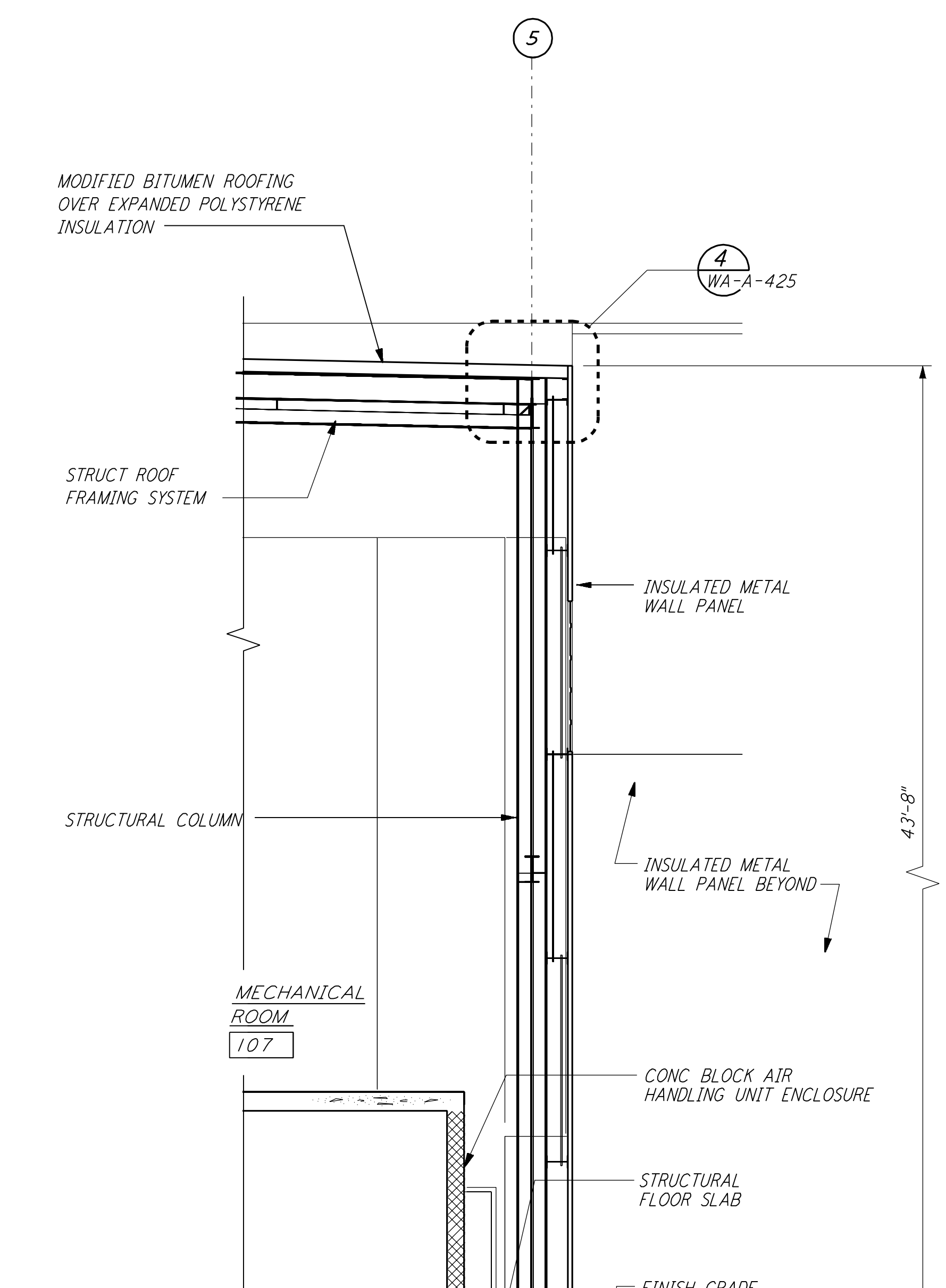
This document and the design it covers are the property of PARSONS. They are loaned only with the borrower's expressed written agreement that they will not be reproduced, copied, loaned, exhibited, or used in any other way, except by written consent from PARSONS to the borrower.



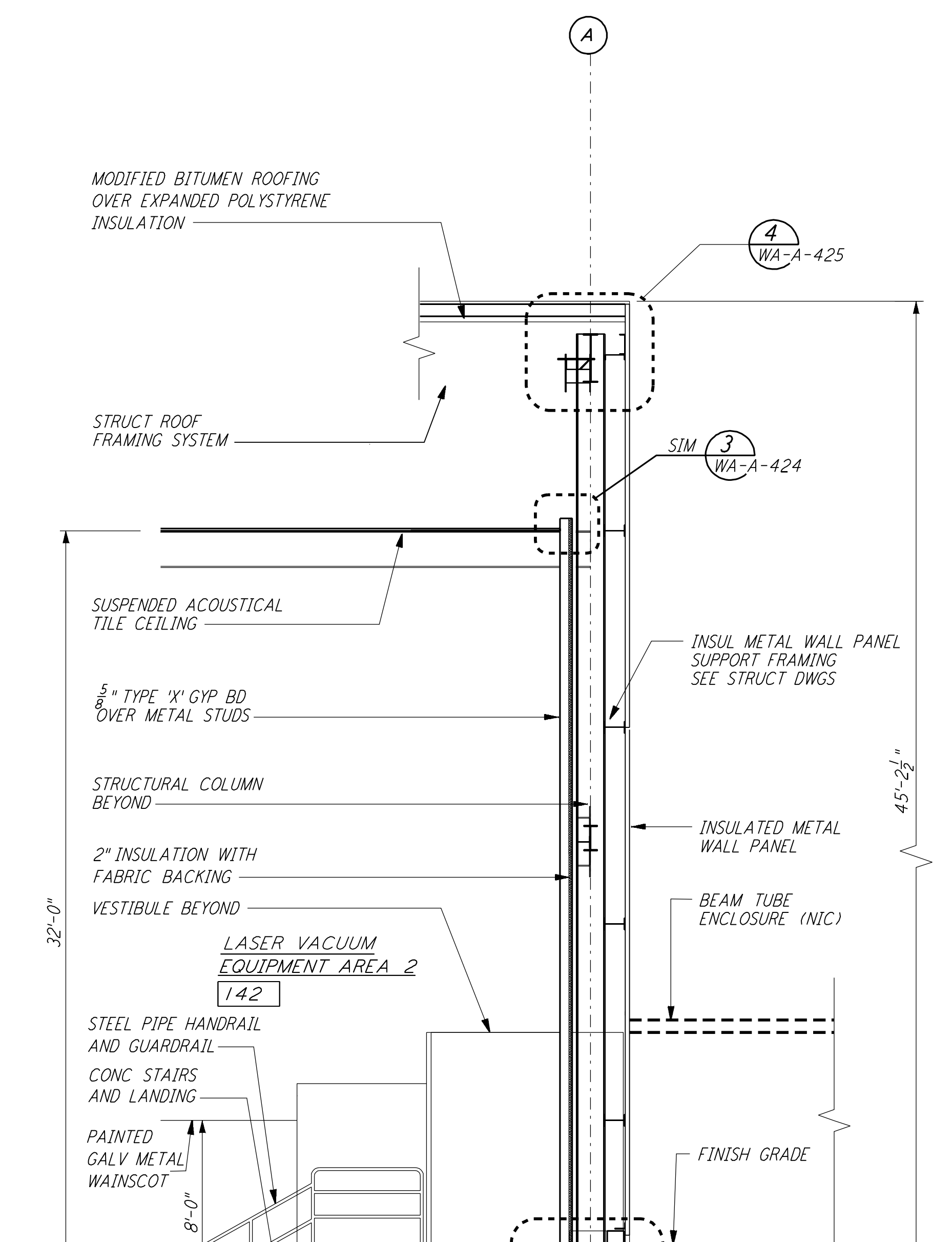
WALL SECTION G
 1/4" = 1'-0"
 REF WA-A-161 WA-A-551



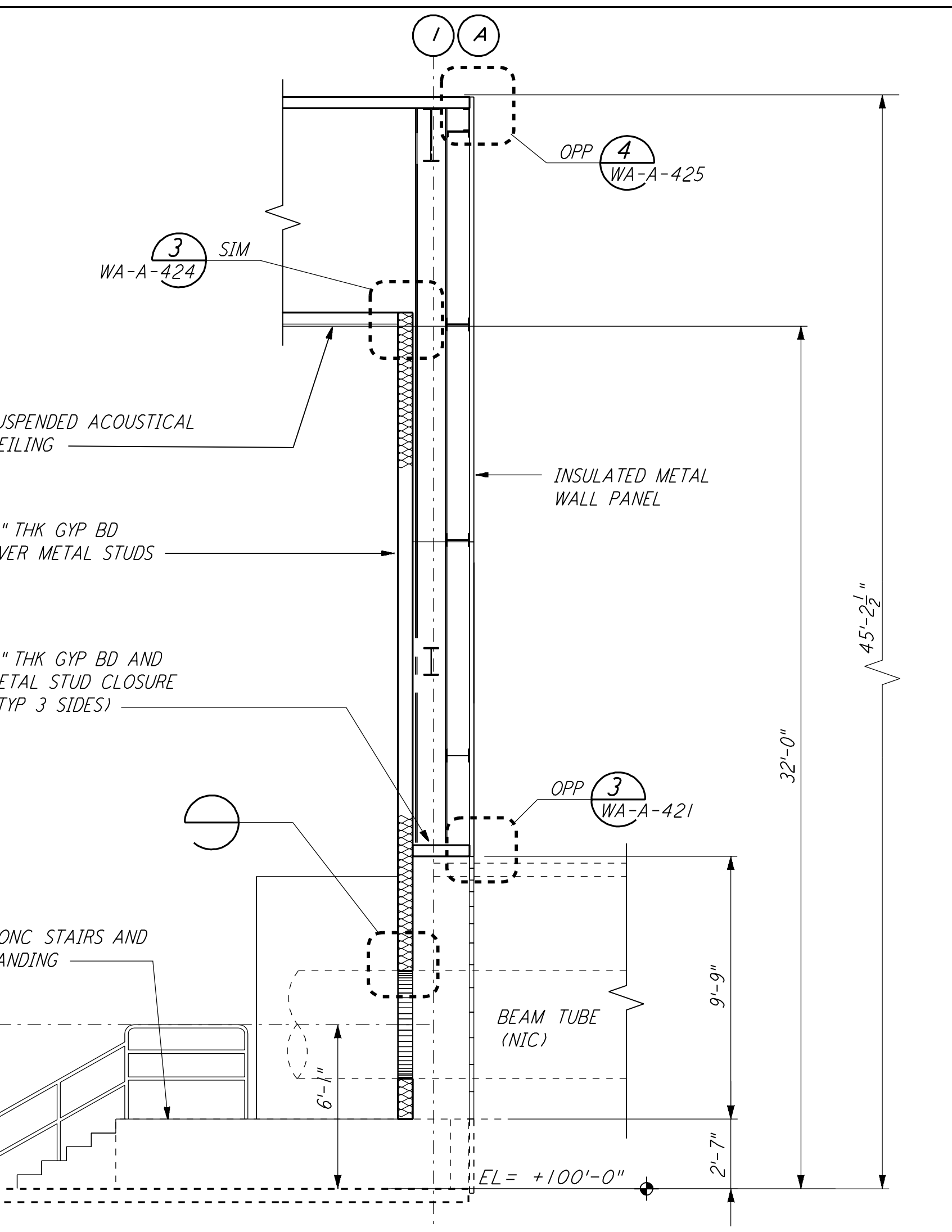
WALL SECTION E
 1/4" = 1'-0"
 REF WA-A-161 WA-A-551



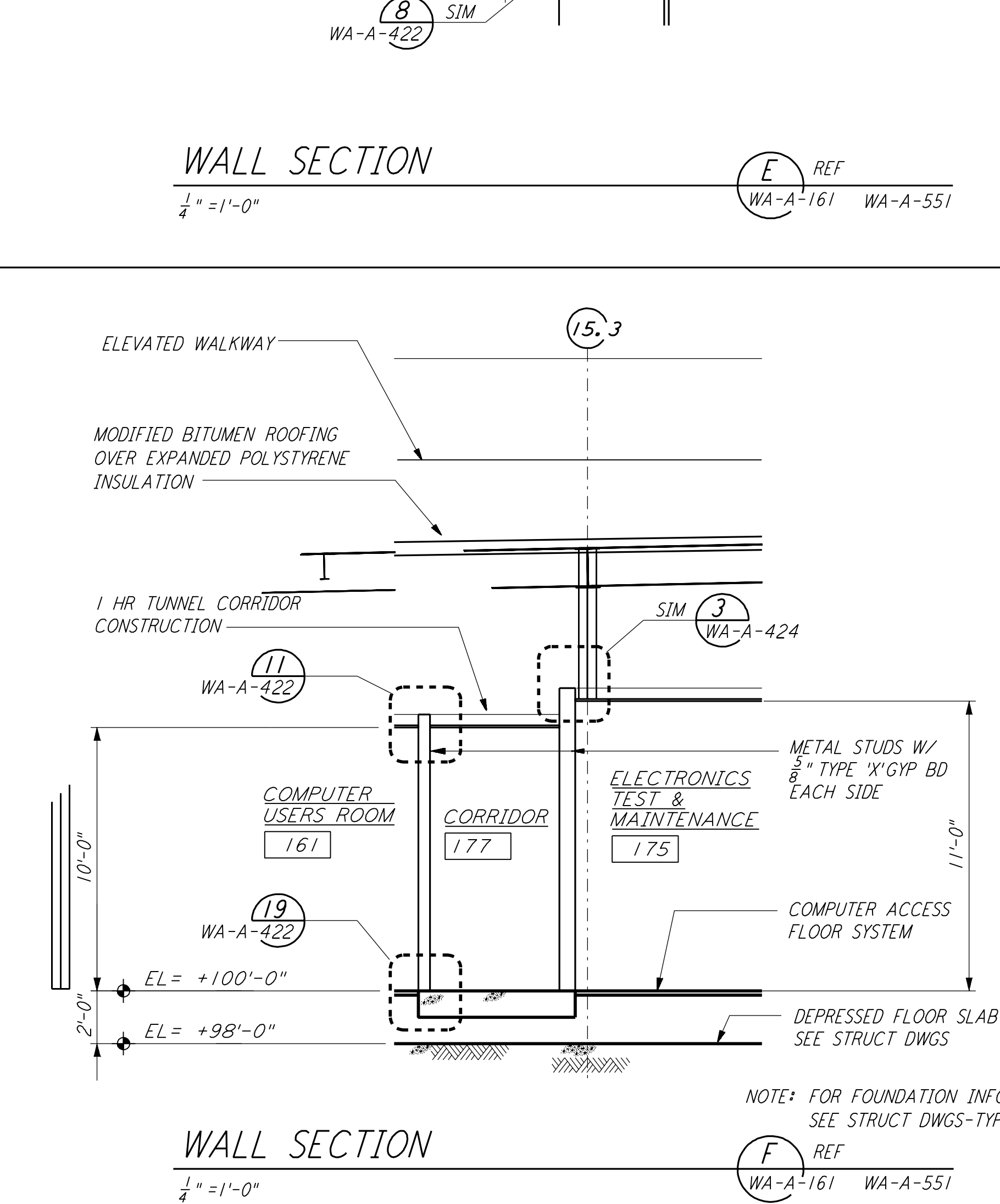
WALL SECTION C
 1/4" = 1'-0"
 REF WA-A-161 WA-A-551



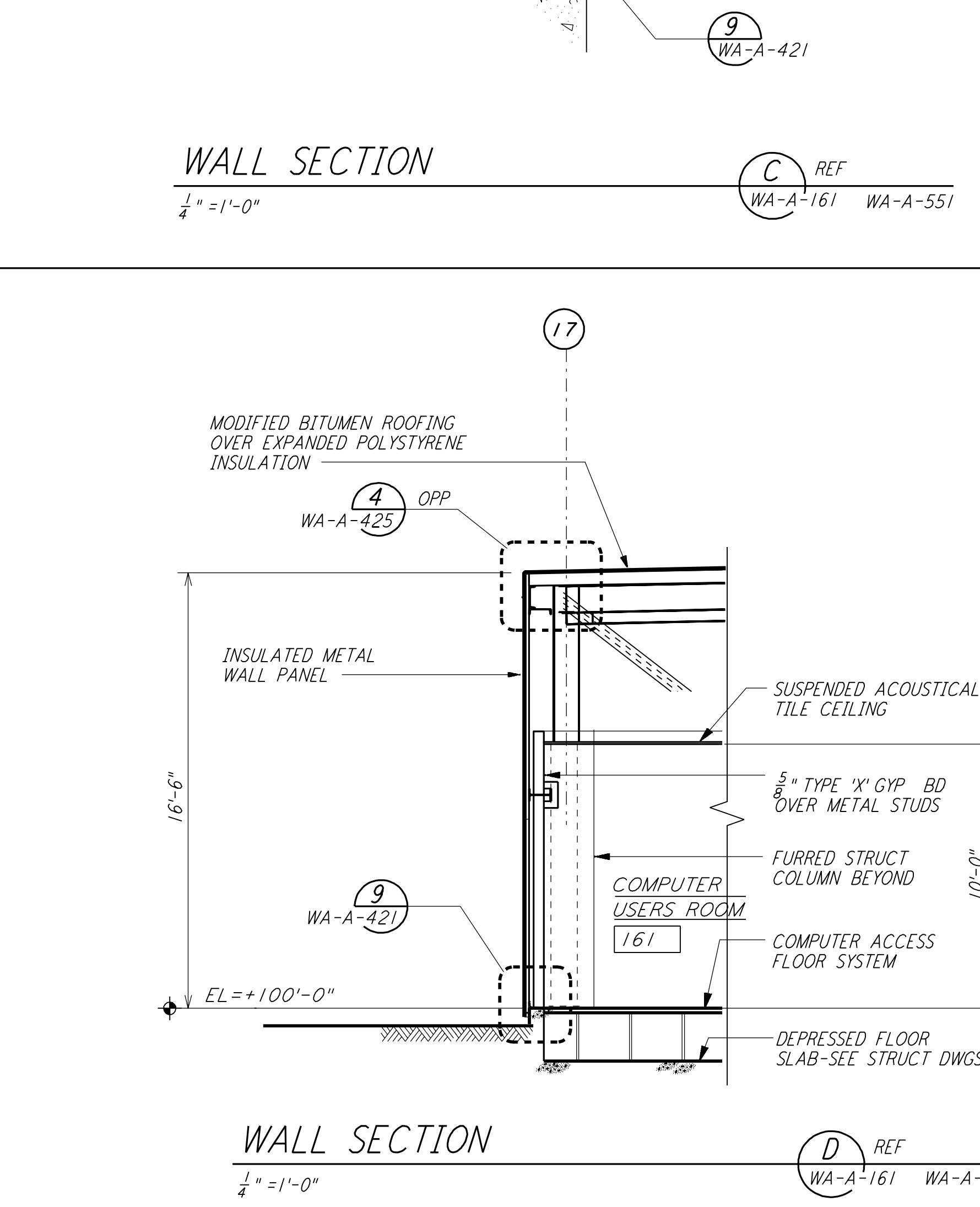
WALL SECTION A
 1/4" = 1'-0"
 REF WA-A-161 WA-A-551



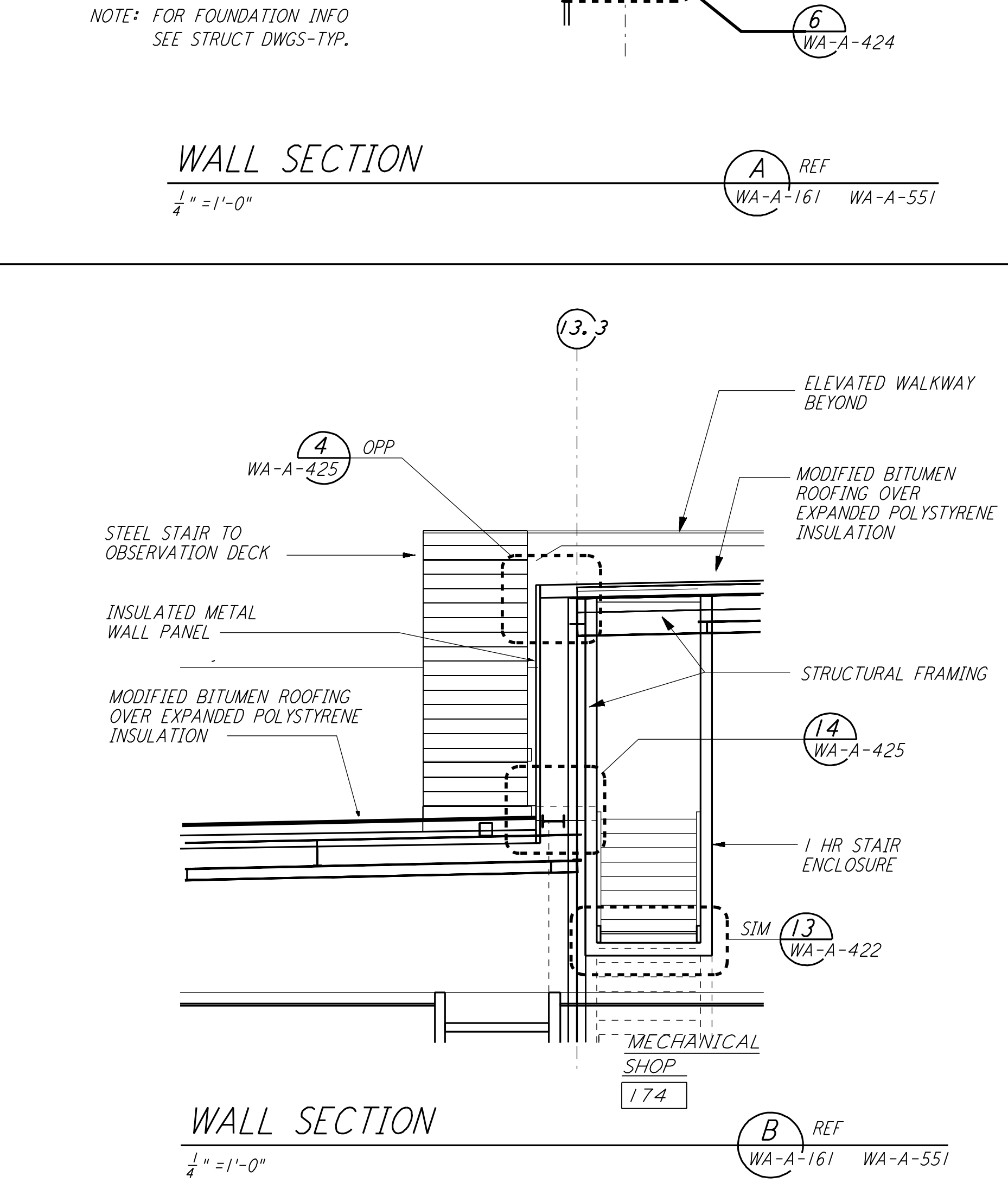
WALL SECTION H
 1/4" = 1'-0"
 REF WA-A-161 WA-A-502



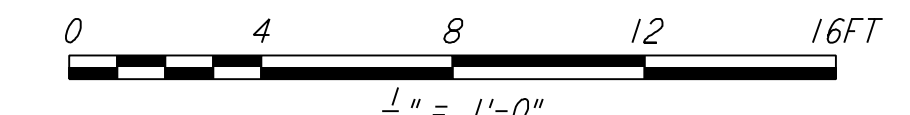
WALL SECTION F
 1/4" = 1'-0"
 REF WA-A-161 WA-A-551



WALL SECTION D
 1/4" = 1'-0"
 REF WA-A-161 WA-A-551



WALL SECTION B
 1/4" = 1'-0"
 REF WA-A-161 WA-A-551



LIGO-D960256-02-O
 LASER INTERFEROMETER GRAVITATIONAL-WAVE OBSERVATORY SITE NO. 1 - HANFORD, WASHINGTON

NO.	DATE	BY	CHKD	ENGR	PROJ	DESCRIPTION
2	5-15-98	CKT				ISSUED FOR AS-BUILT
1	2-28-97	CKT	TB	AK	TDM	CORNER STATION VSEA PARTITION

ISSUED FOR CONSTRUCTION		
DRAWN	CKT	5-12-96
CHECKED	TB	5-26-96
ENGINEER	bkk	7-12-96
PROJ	MDW	7-12-96

AS-BUILT DRAWINGS

PARSONS
 100 WEST WALNUT STREET
 PASADENA, CALIFORNIA

LIGO
 CALIFORNIA INSTITUTE OF TECHNOLOGY
 MASSACHUSETTS INSTITUTE OF TECHNOLOGY

ARCHITECTURAL CORNER STATION WALL SECTIONS SHEET 1
 AS NOTED PP150969 8094
WA-A-161

Note 1, Linda L Turner, 04/13/99 04:29:35 PM
LIGO-D960256-02-O