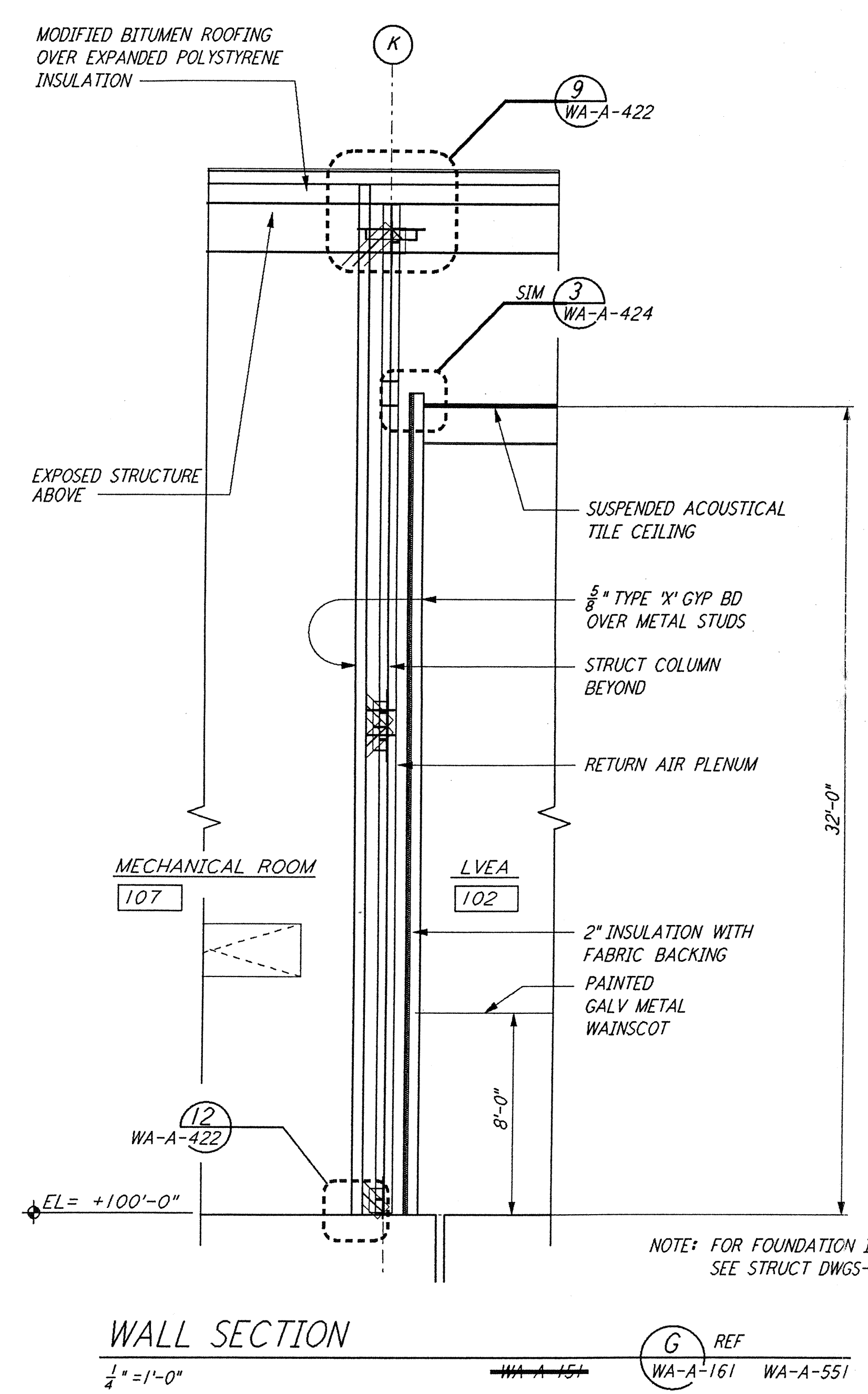
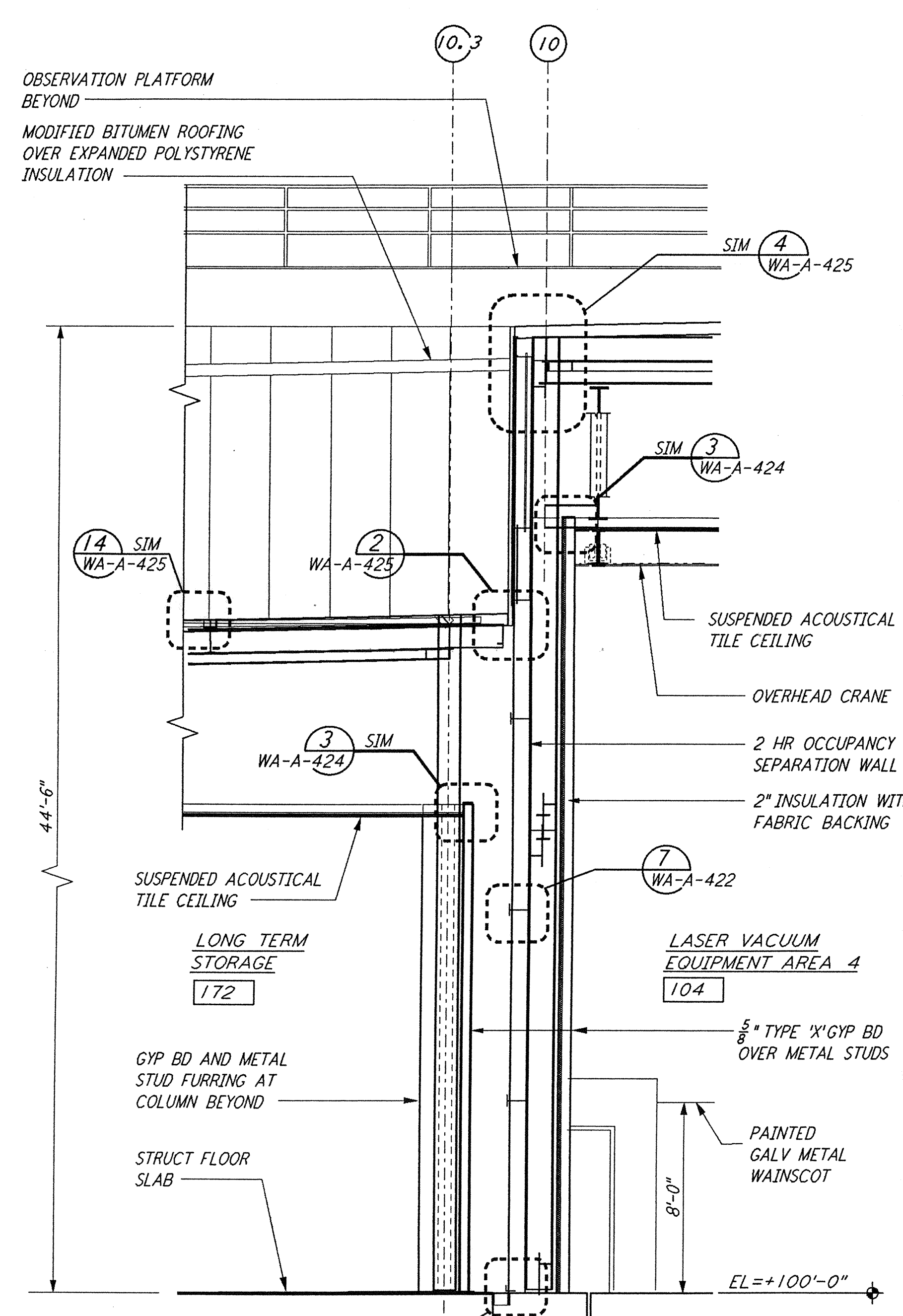


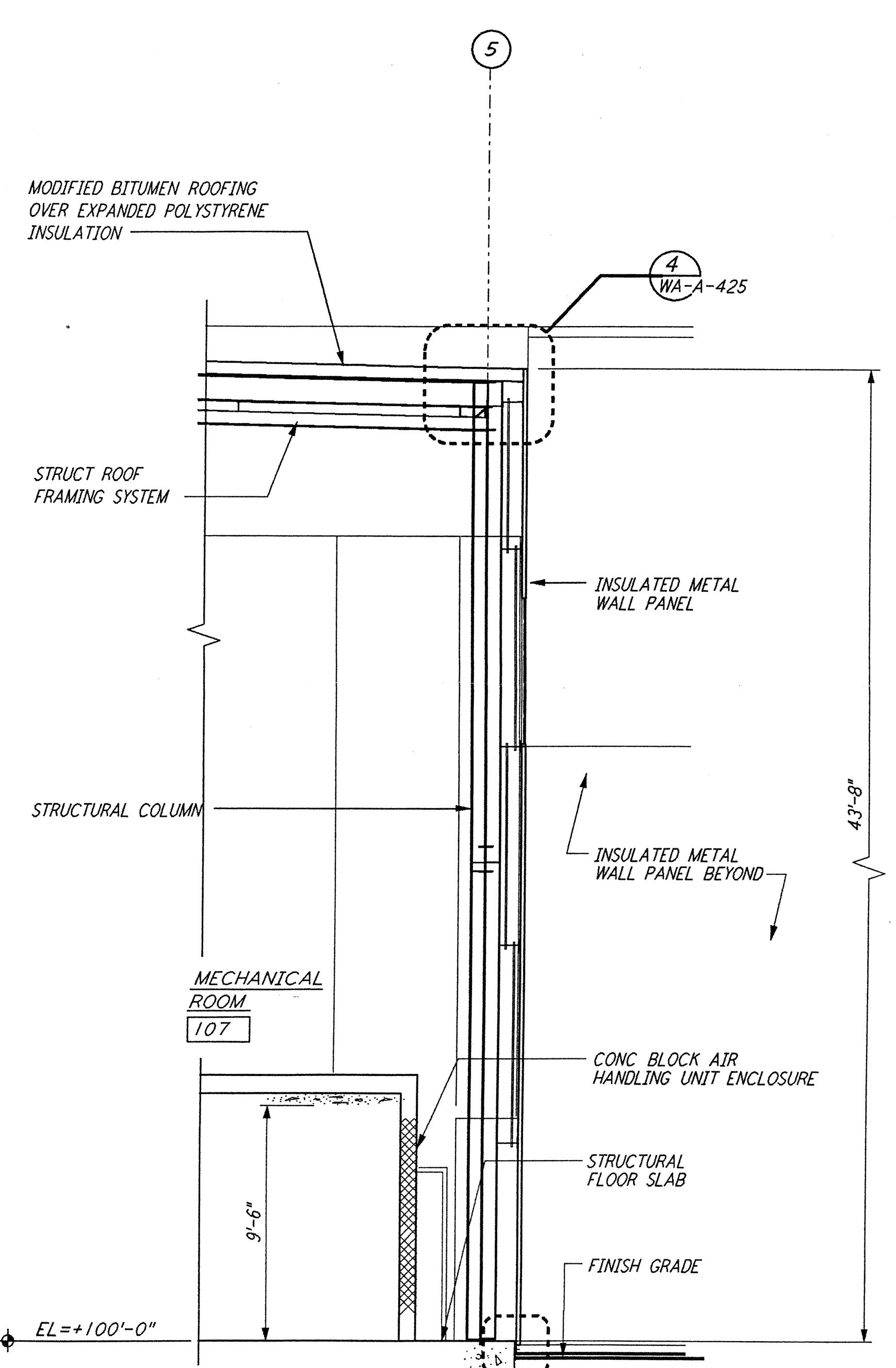
This document and the design it covers are the property of PARSONS. They are loaned only with the borrower's expressed written agreement that they will not be reproduced, copied, loaned, exhibited, or used in any other way, except by written consent from PARSONS to the borrower.



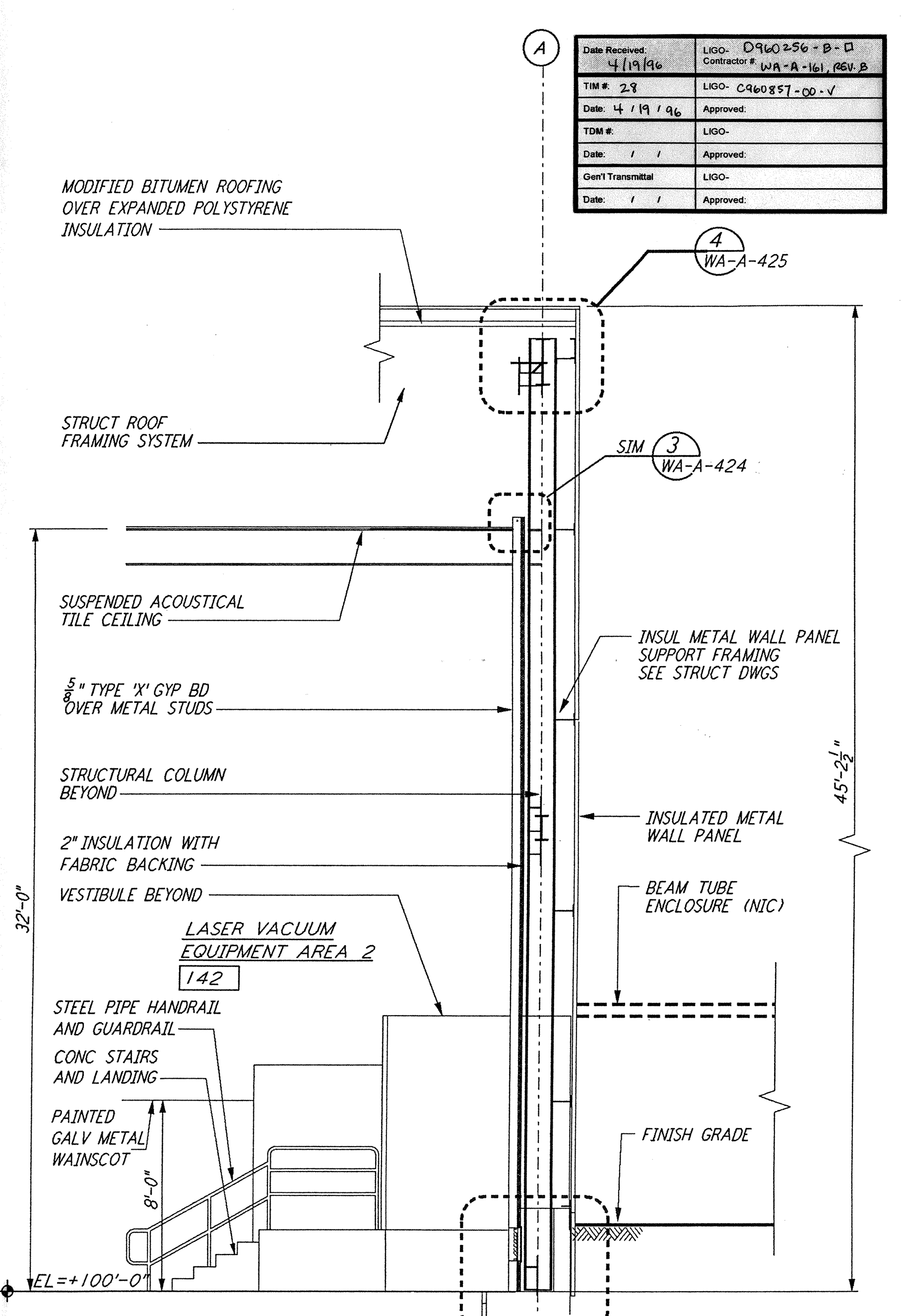
WALL SECTION
 1/4" = 1'-0"
 REF: WA-A-151, WA-A-161, WA-A-551



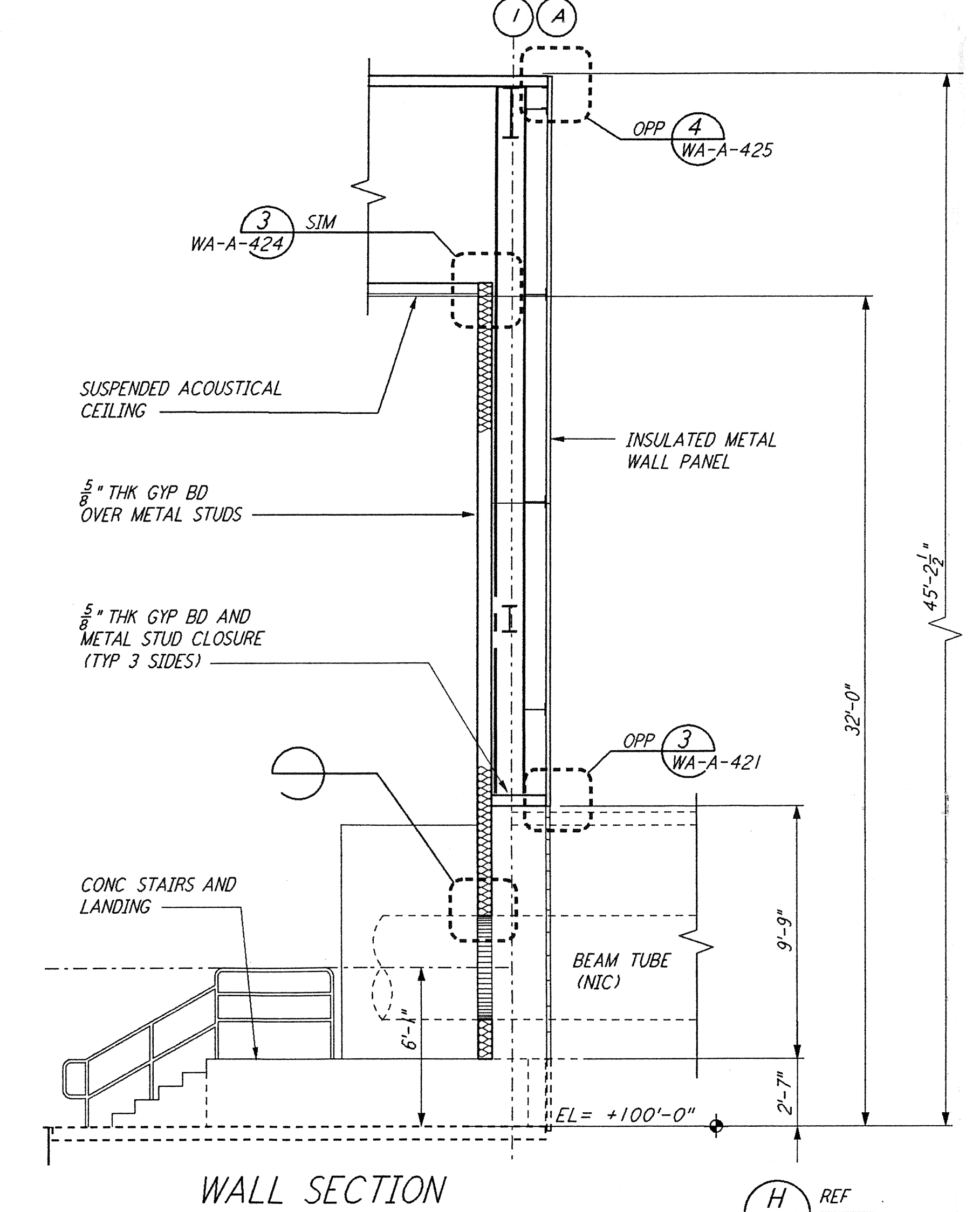
WALL SECTION
 1/4" = 1'-0"
 REF: WA-A-151, WA-A-161, WA-A-551



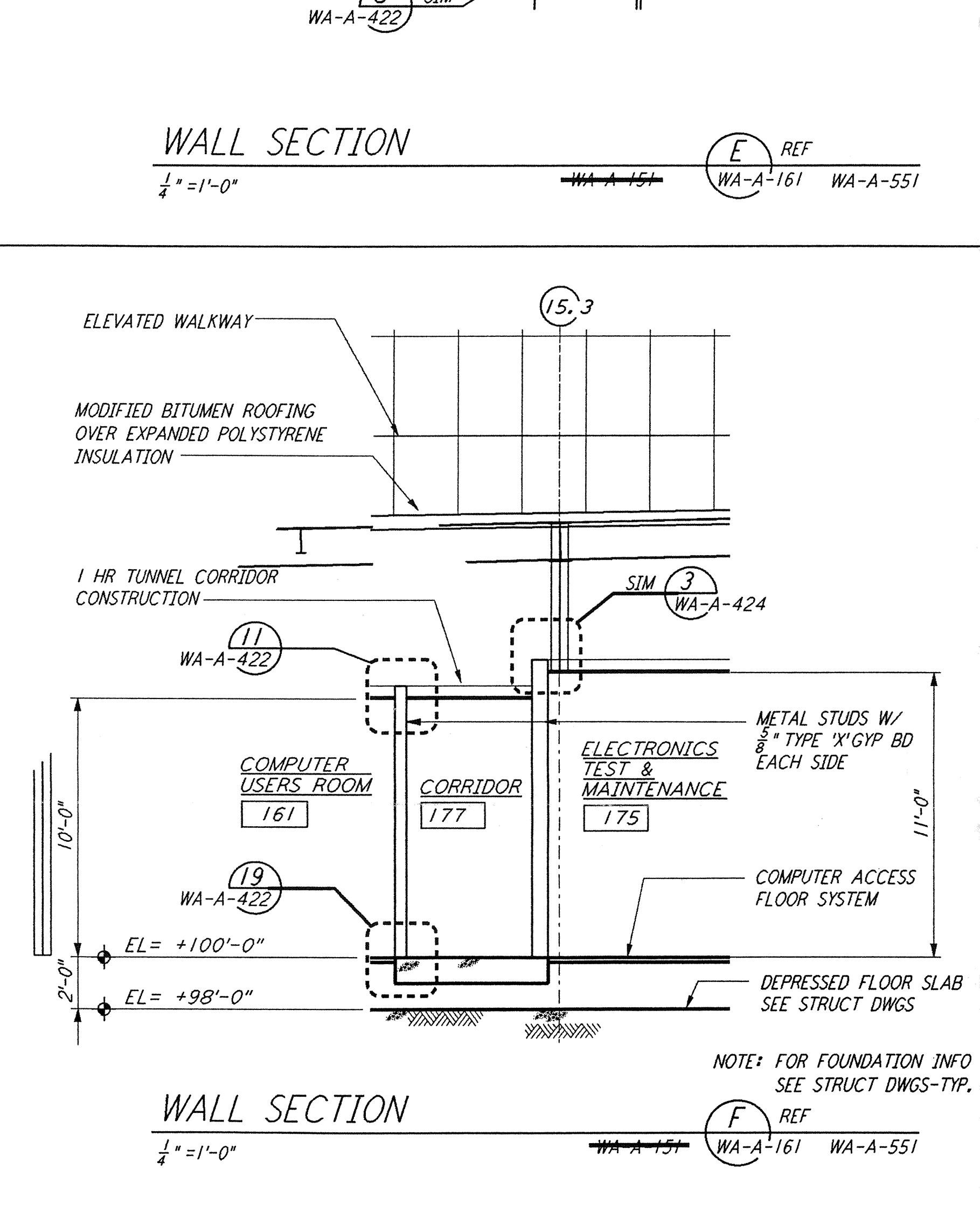
WALL SECTION
 1/4" = 1'-0"
 REF: WA-A-151, WA-A-161, WA-A-551



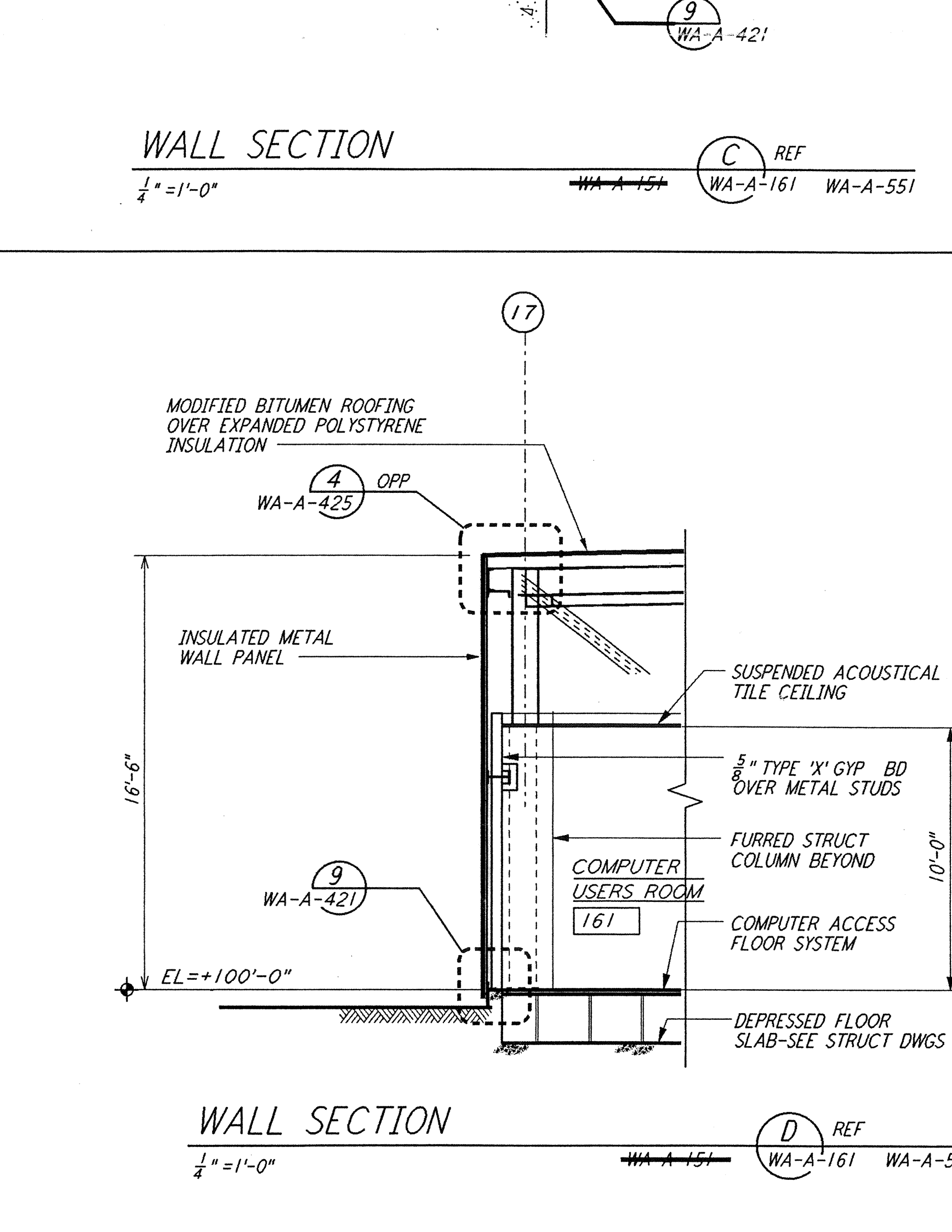
WALL SECTION
 1/4" = 1'-0"
 REF: WA-A-151, WA-A-161, WA-A-551



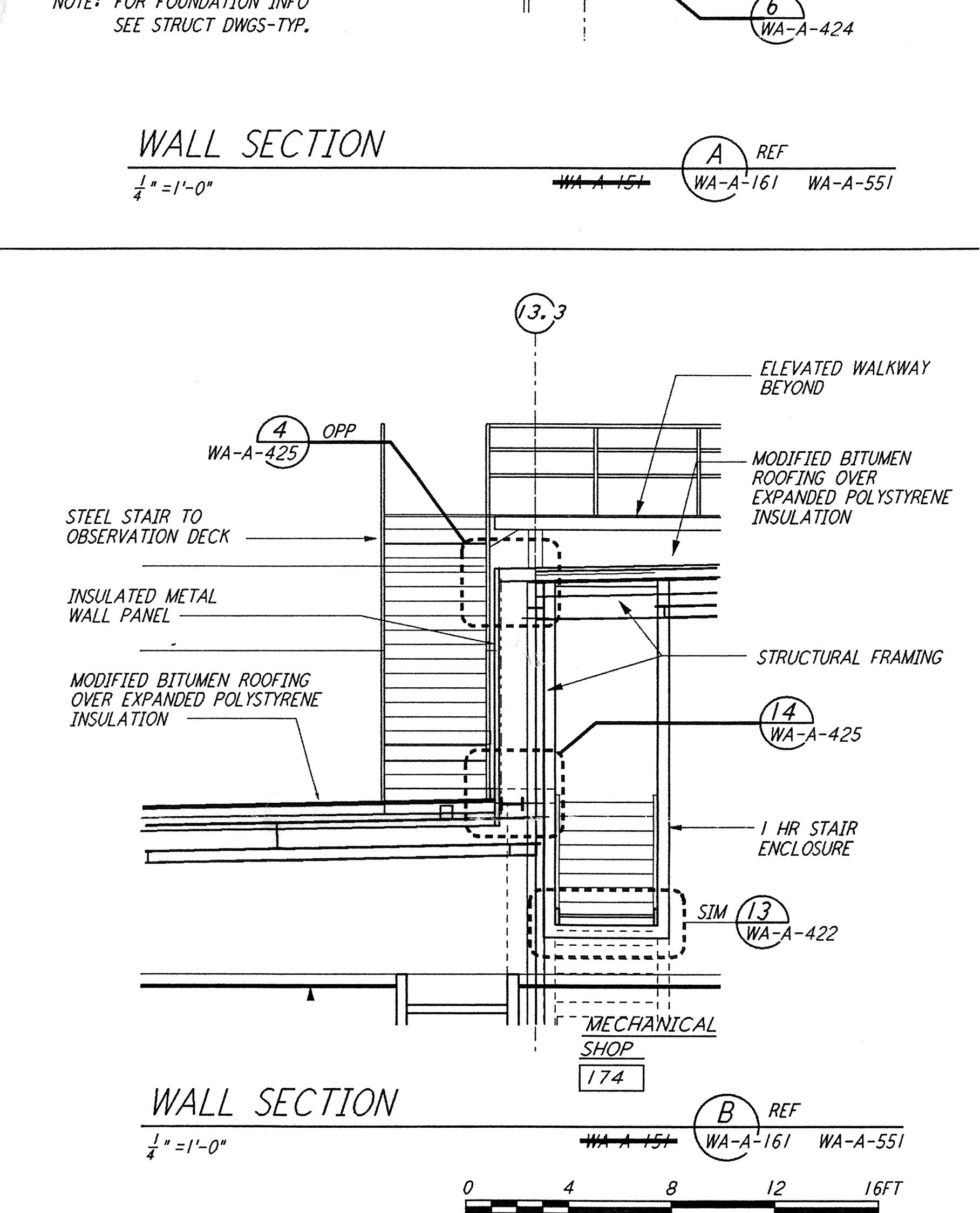
WALL SECTION
 1/4" = 1'-0"
 REF: WA-A-102, WA-A-161, WA-A-502



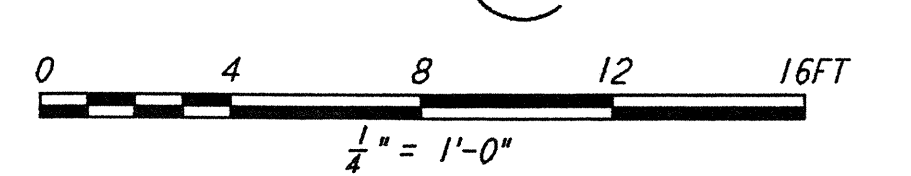
WALL SECTION
 1/4" = 1'-0"
 REF: WA-A-151, WA-A-161, WA-A-551



WALL SECTION
 1/4" = 1'-0"
 REF: WA-A-151, WA-A-161, WA-A-551



WALL SECTION
 1/4" = 1'-0"
 REF: WA-A-151, WA-A-161, WA-A-551



NO.	DATE	BY	CHKD	ENGR	PROJ	DESCRIPTION
B	4-19-96	SF	SF	TDM		FINAL DESIGN REVIEW & BID
A	01/17/96	SF	SF	TDM		PRELIMINARY DESIGN REVIEW

DRAWN	BK/CKT
CHECKED	
ENGINEER	
PROJ	

PARSONS
 100 WEST WALNUT STREET
 PASADENA, CALIFORNIA

LIGO
 CALIFORNIA INSTITUTE OF TECHNOLOGY
 MASSACHUSETTS INSTITUTE OF TECHNOLOGY

LASER INTERFEROMETER
 GRAVITATIONAL-WAVE OBSERVATORY
 SITE NO. 1 - HANFORD, WASHINGTON

TITLE: ARCHITECTURAL CORNER STATION WALL SECTIONS SHEET 1

SCALE: PPI50969 8094

SHEET NUMBER: WA-A-161