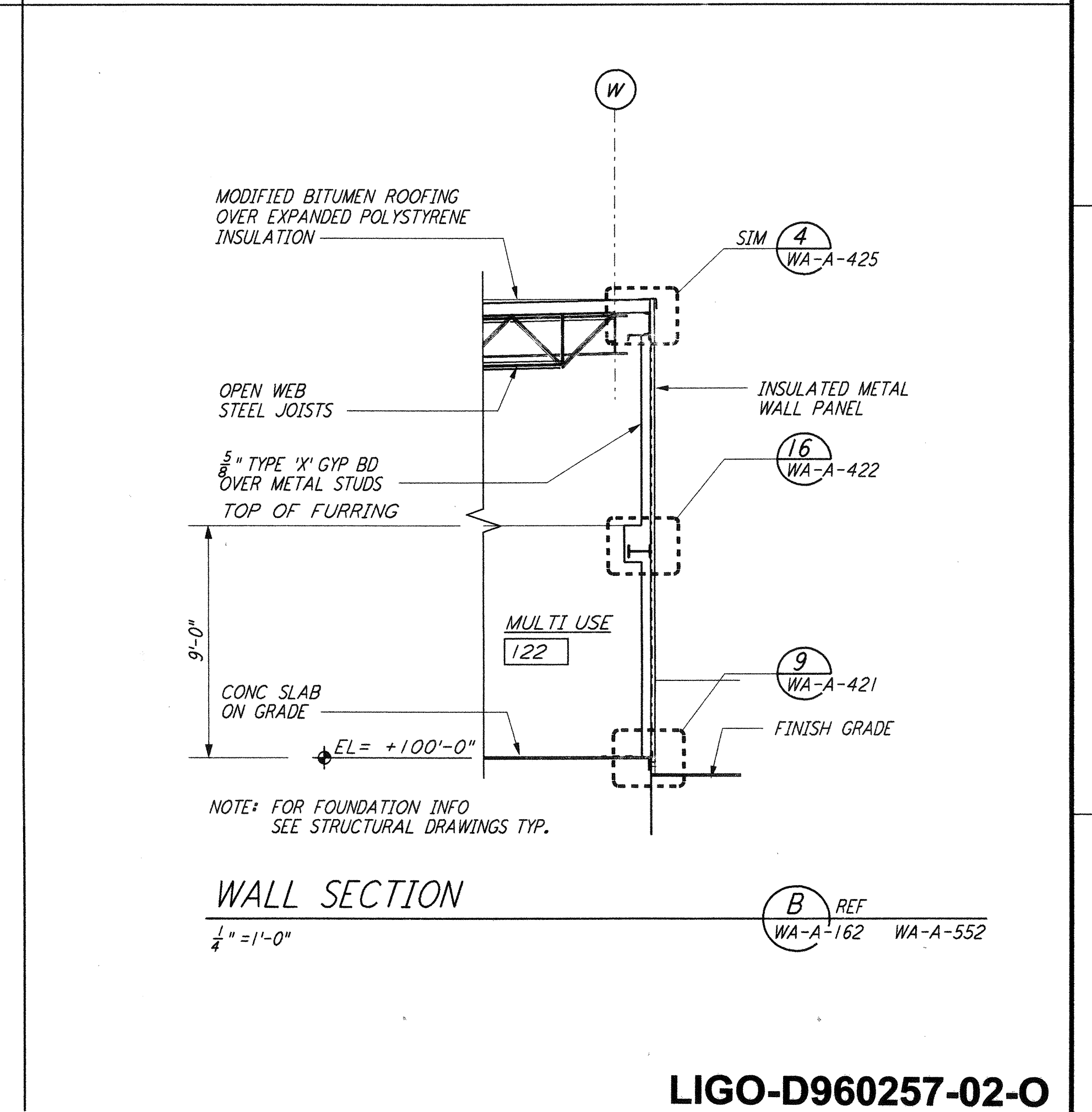
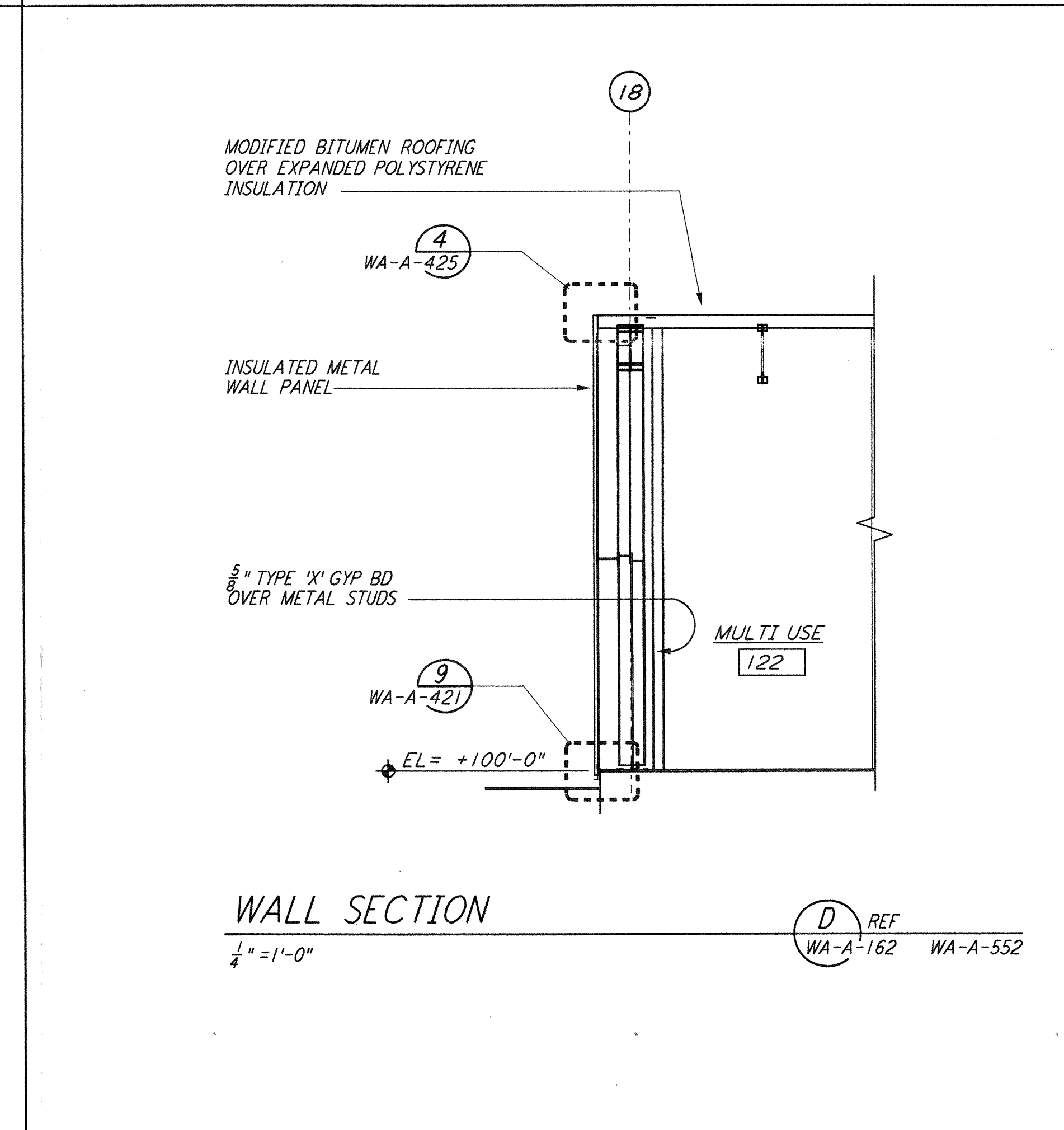
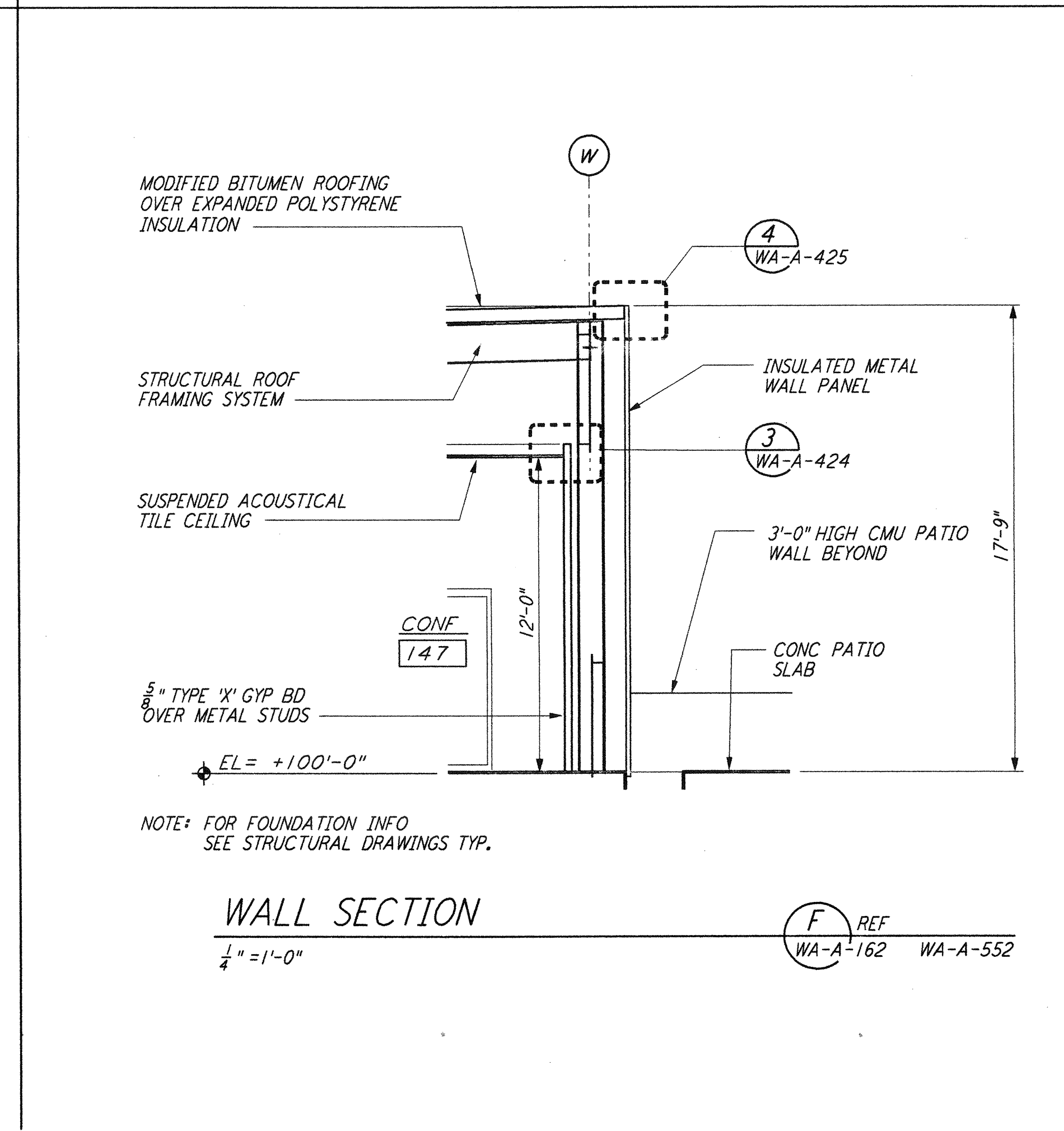
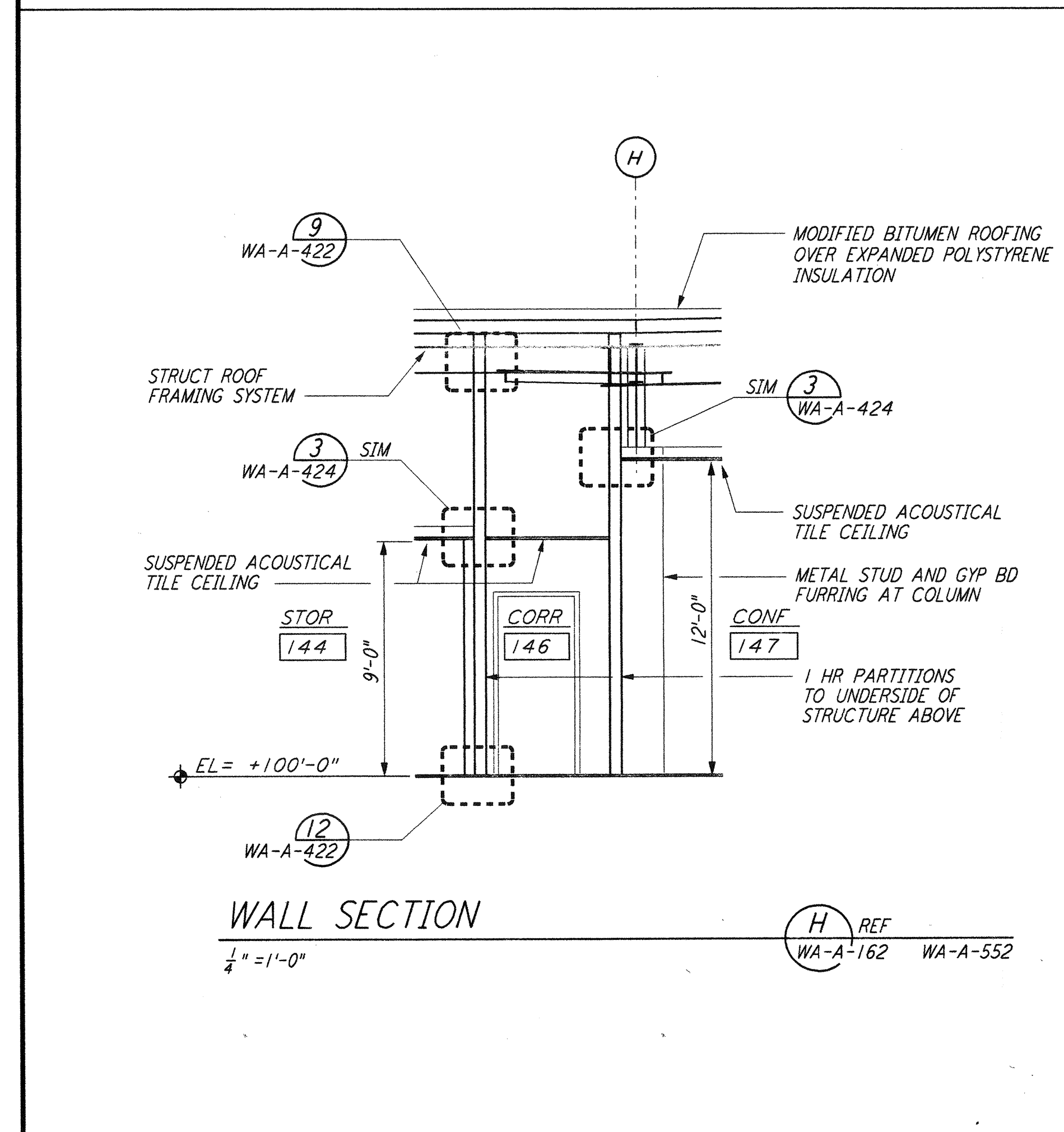
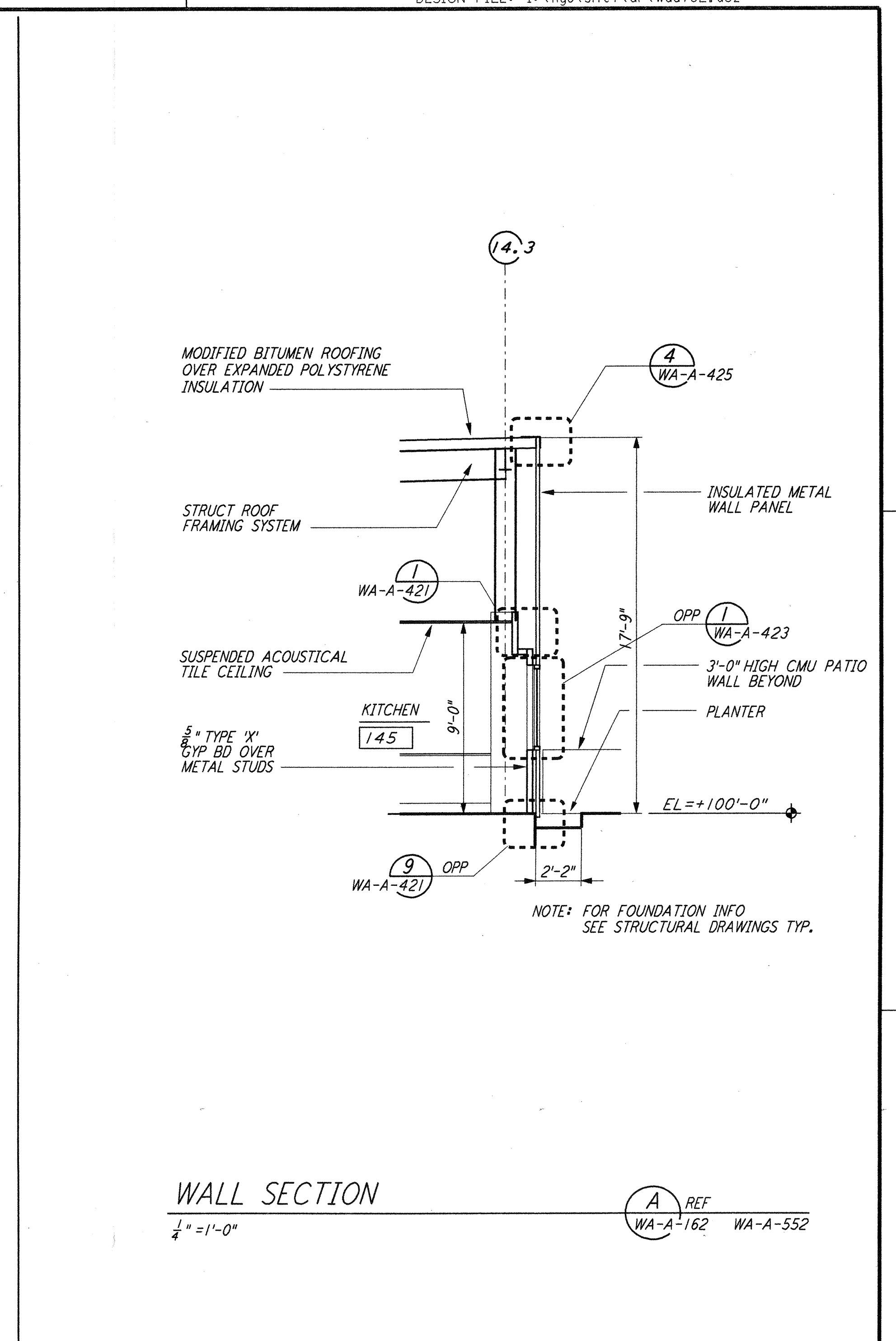
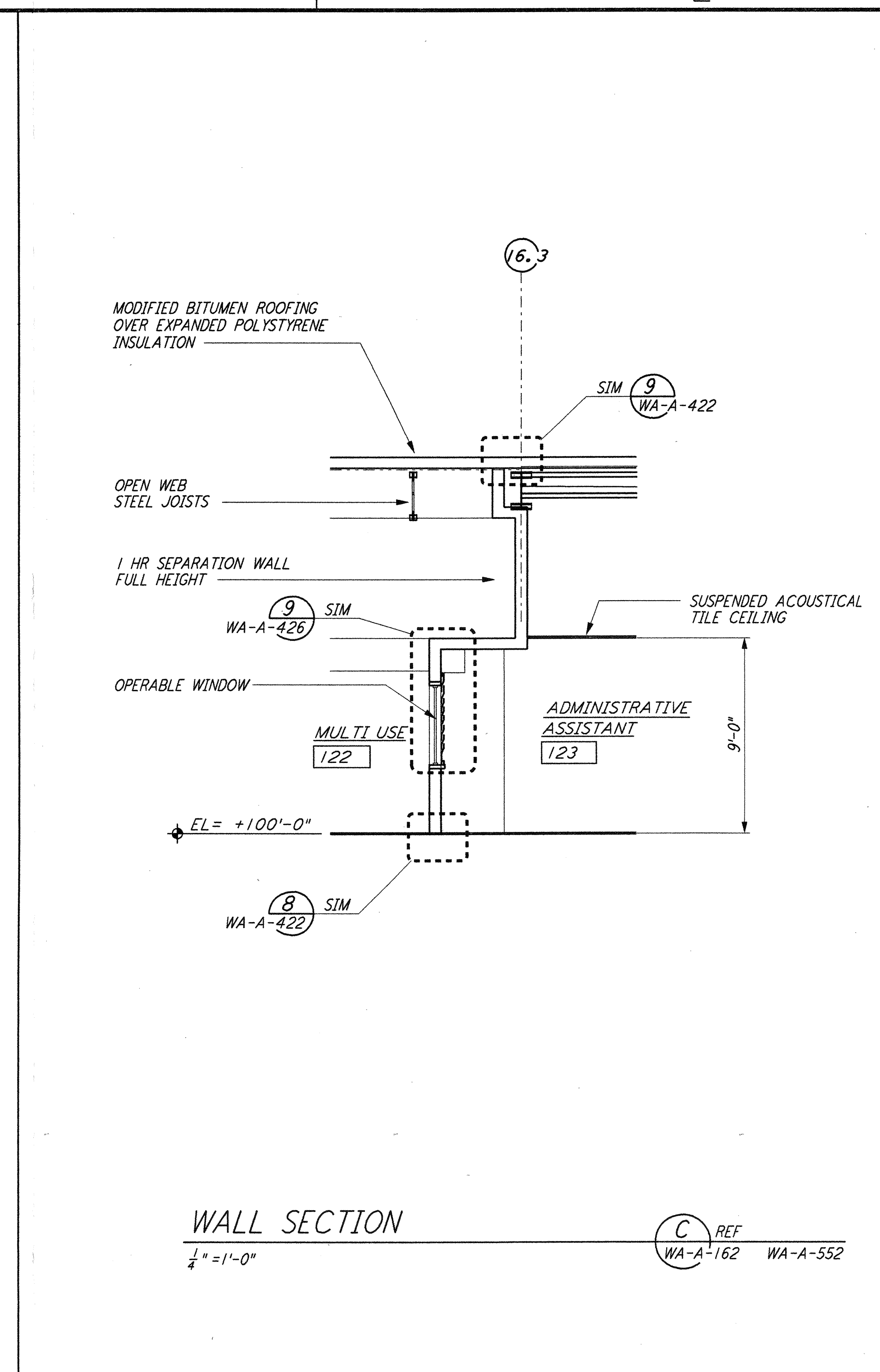
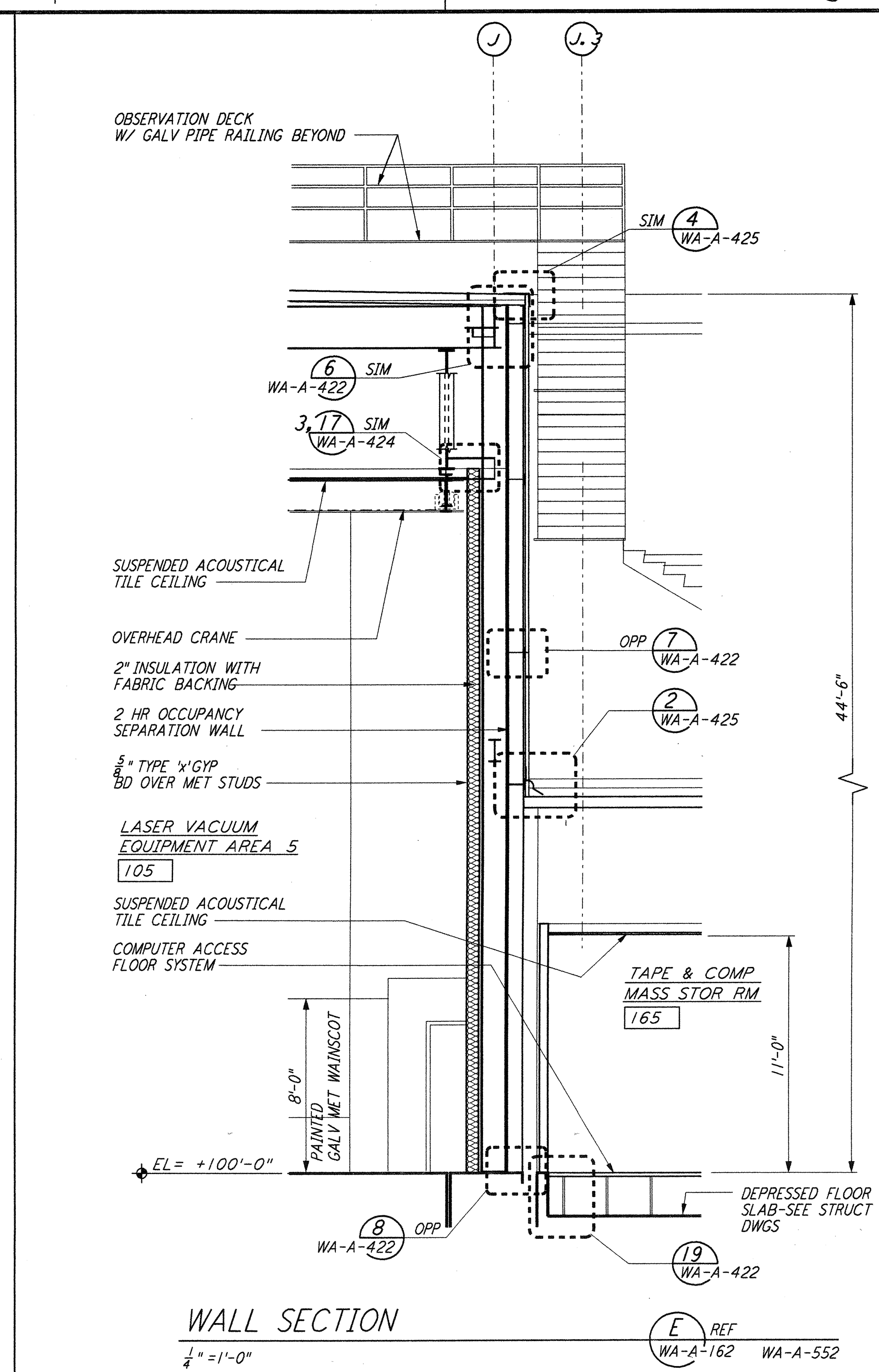
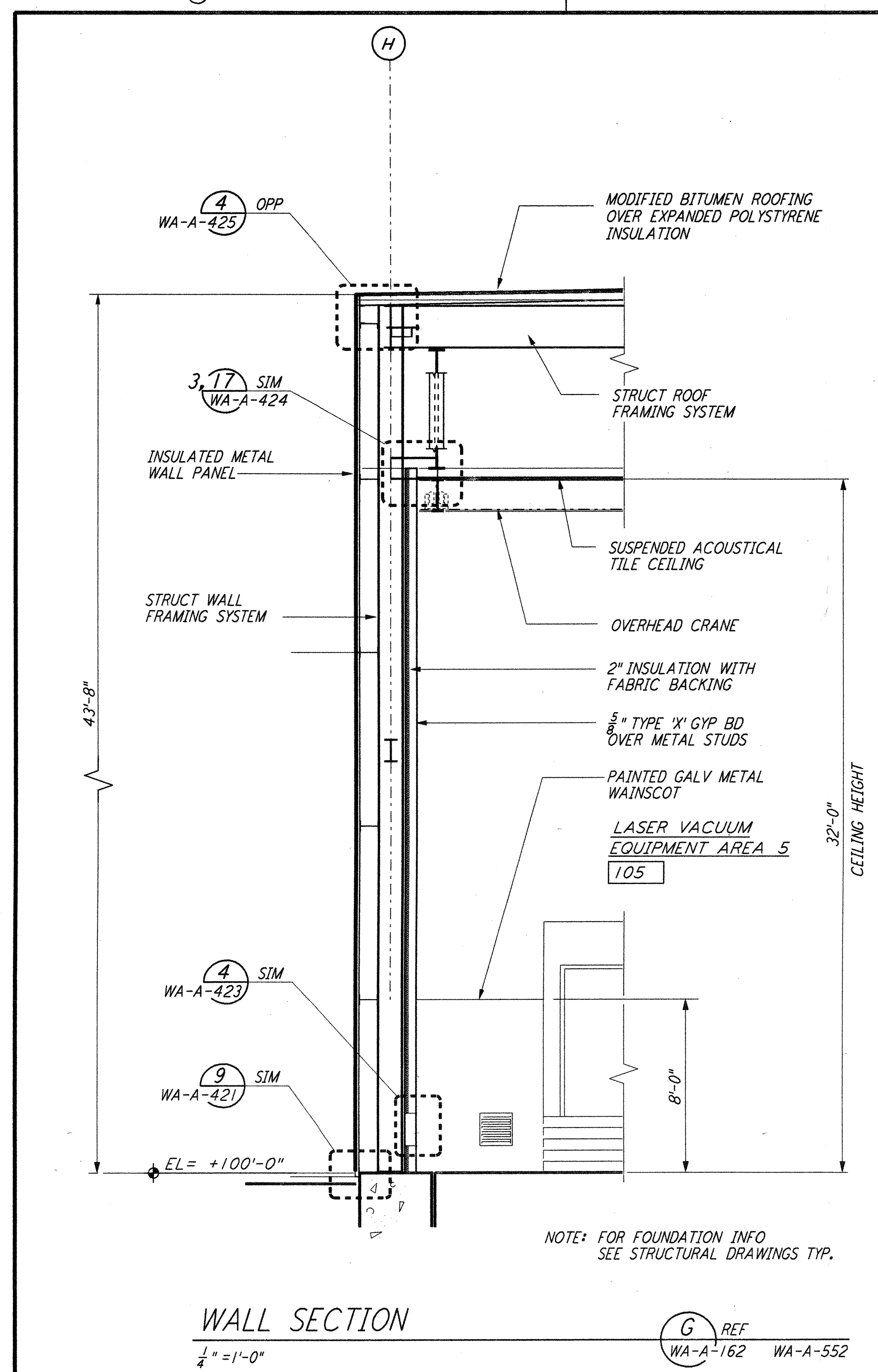


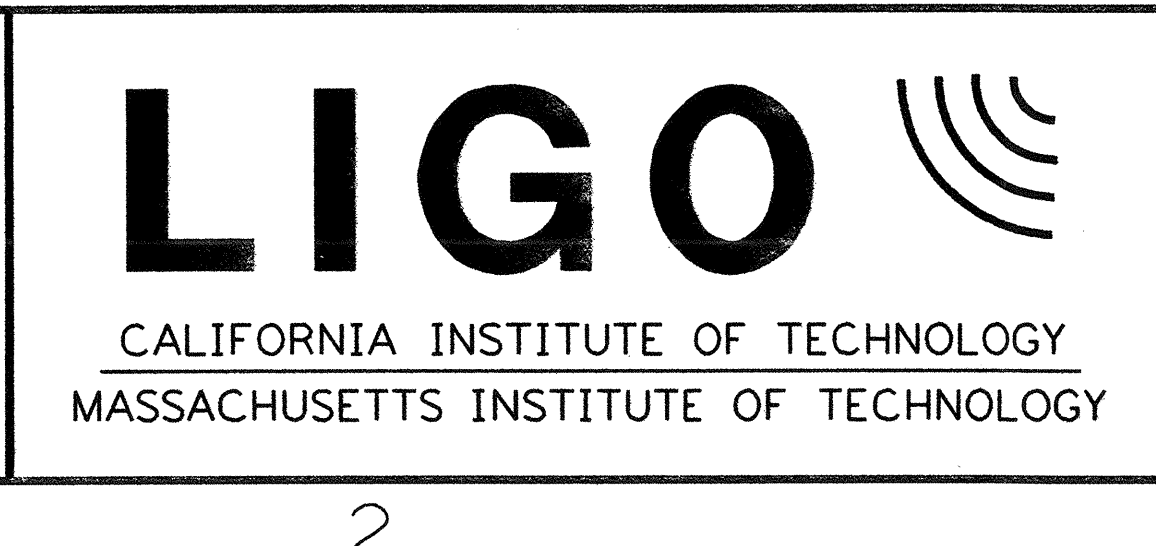
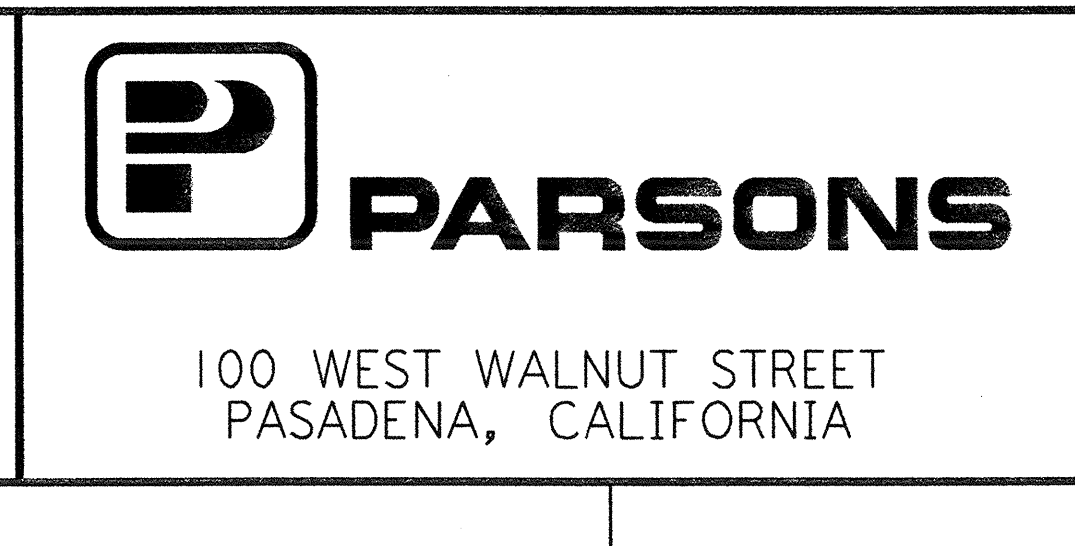
This document and the design it covers are the property of PARSONS. They are loaned only with the borrower's expressed written agreement that they will not be reproduced, copied, loaned, exhibited, or used in any other way, except by written consent from PARSONS to the borrower.



NO.	DATE	BY	CHKD	ENGR	PROJ	DESCRIPTION
2	5-15-98	CKT	AK	AK	PR	ISSUED FOR AS-BUILT
1	2-28-97	CKT	TB	AK	TDM	OSB REVISION

ISSUED FOR CONSTRUCTION
 DRAWN CKT 5-12-96
 CHECKED TB 5-26-96
 ENGINEER bkk 7-12-96
 PROJ MDW 7-12-96
AS-BUILT DRAWINGS

100 WEST WALNUT STREET
 PASADENA, CALIFORNIA



LIGO-D960257-02-0
 LASER INTERFEROMETER
 GRAVITATIONAL-WAVE OBSERVATORY
 SITE NO. 1 - HANFORD, WASHINGTON
 TITLE ARCHITECTURAL CORNER STATION WALL SECTIONS SHEET 2
 AS NOTED PP150969 8094
WA-A-162

74 Jun 05 11:53:18 1998 CAPLOT\QUE\S3-V36B2.DWG 52085 K:\V36B2.dwg 162b.ppt LIGOWAF3.BDR