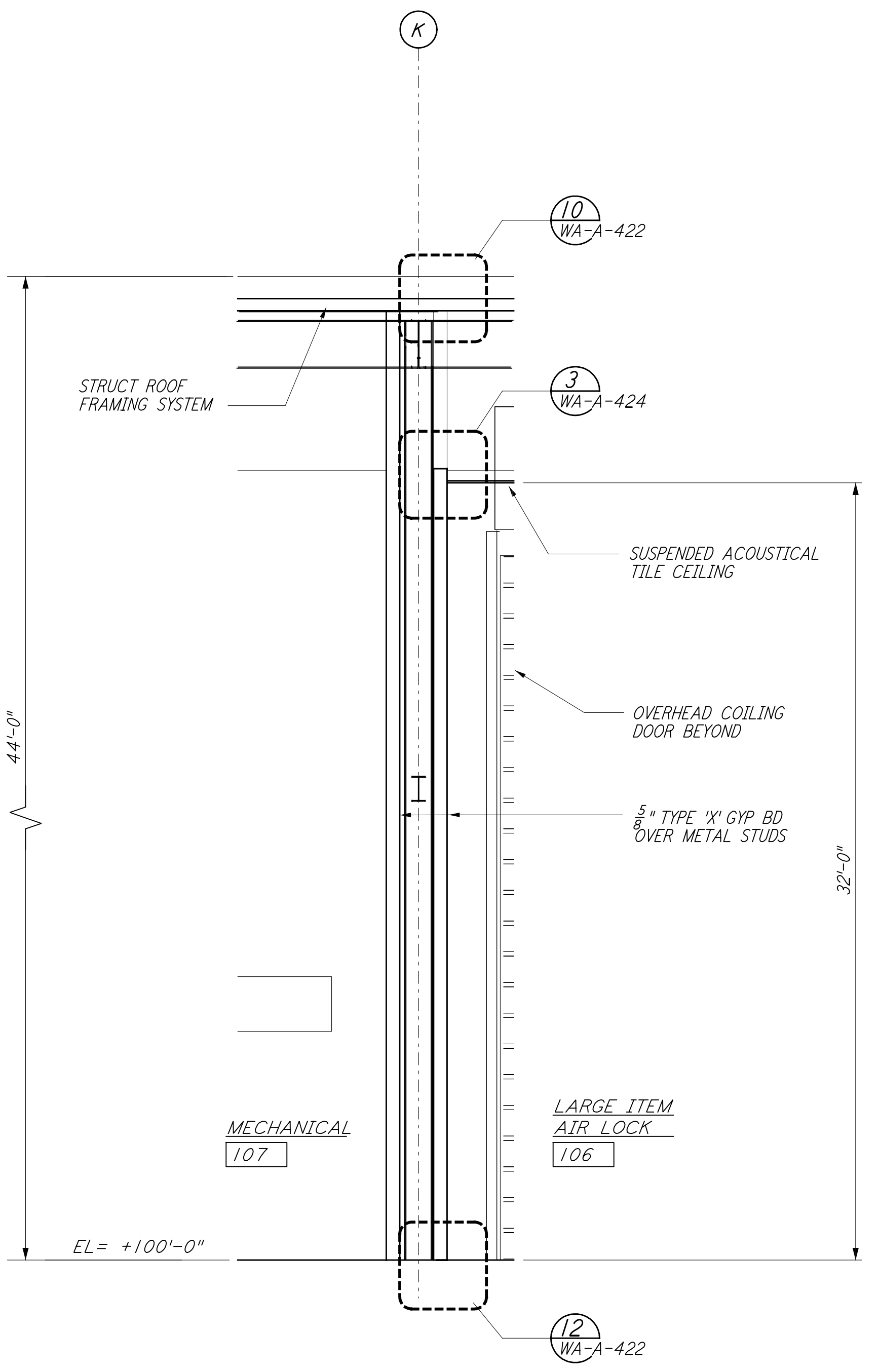
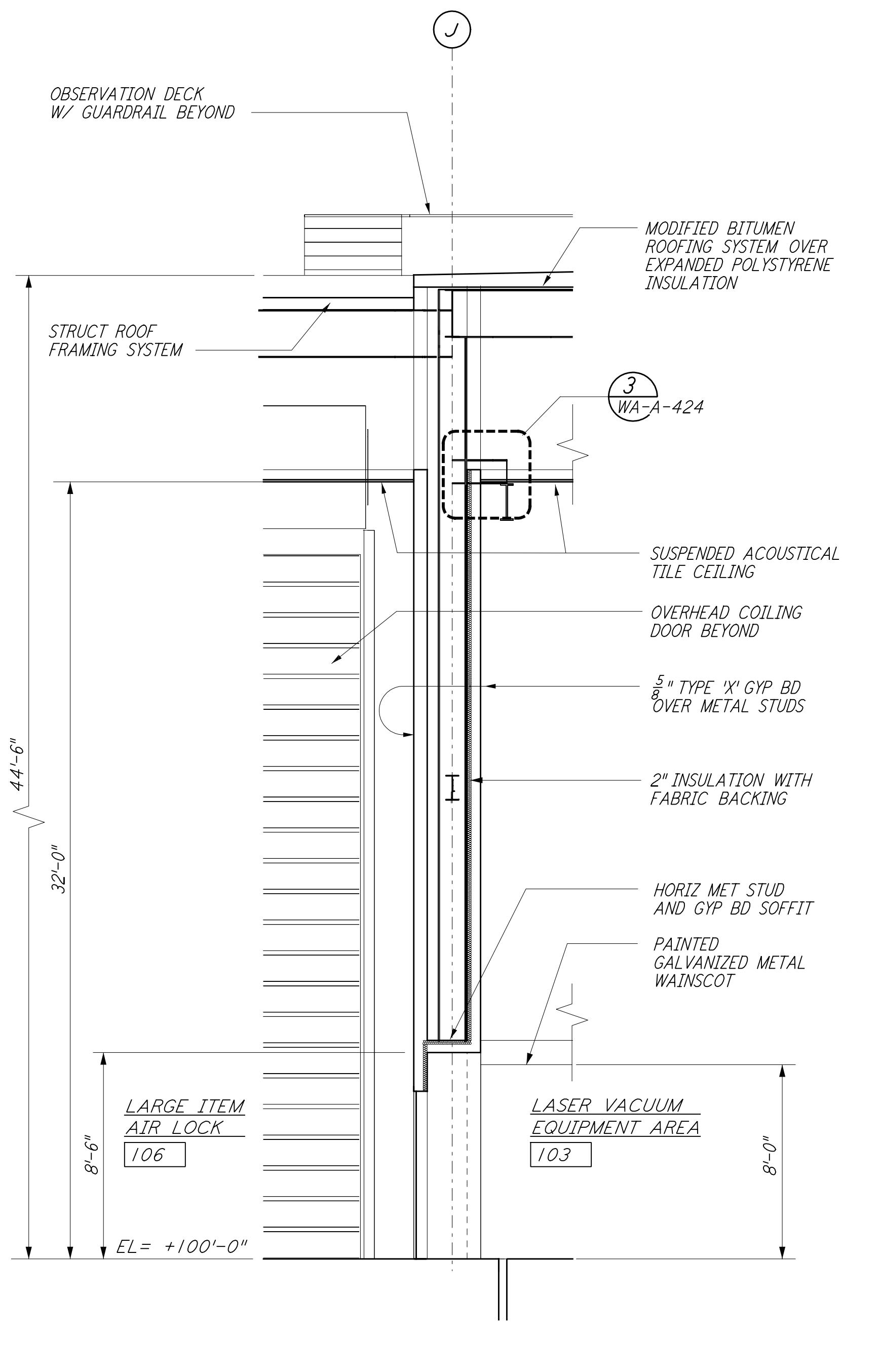


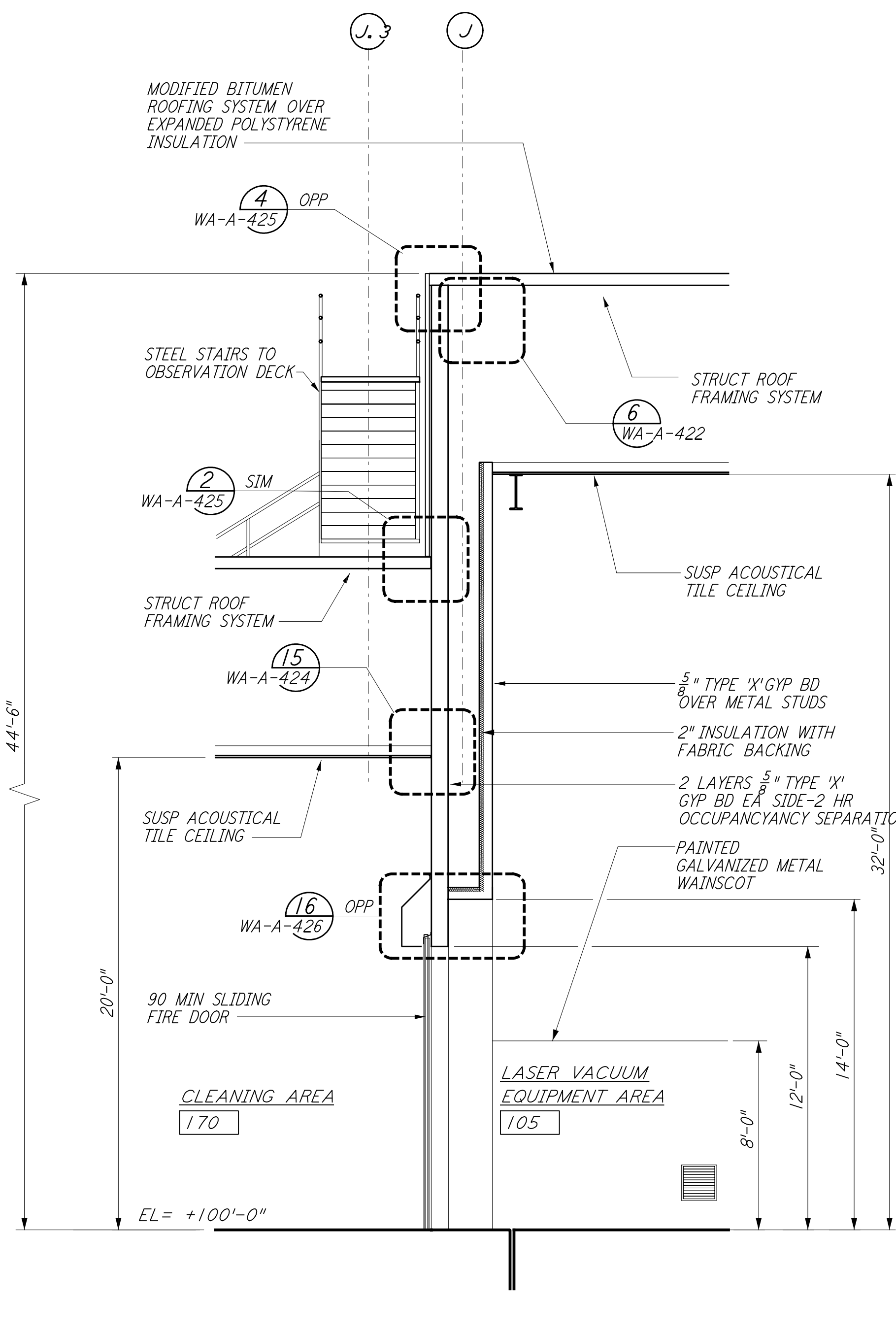
This document and the design it covers are the property of PARSONS. They are loaned only with the borrower's expressed written agreement that they will not be reproduced, copied, loaned, exhibited, or used in any other way, except by written consent from PARSONS to the borrower.



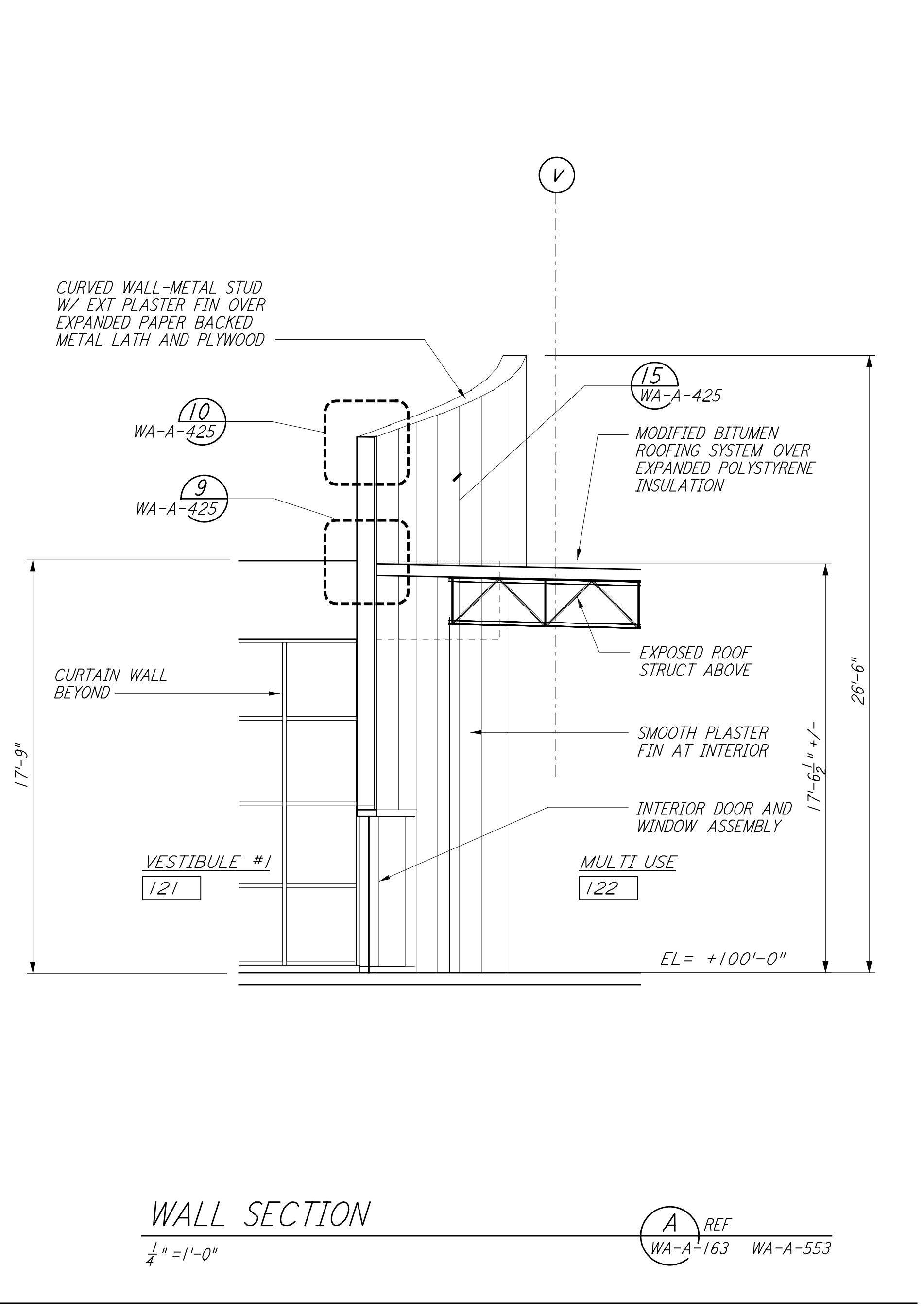
WALL SECTION
 1/4" = 1'-0"
 REF: G WA-A-163 WA-A-553



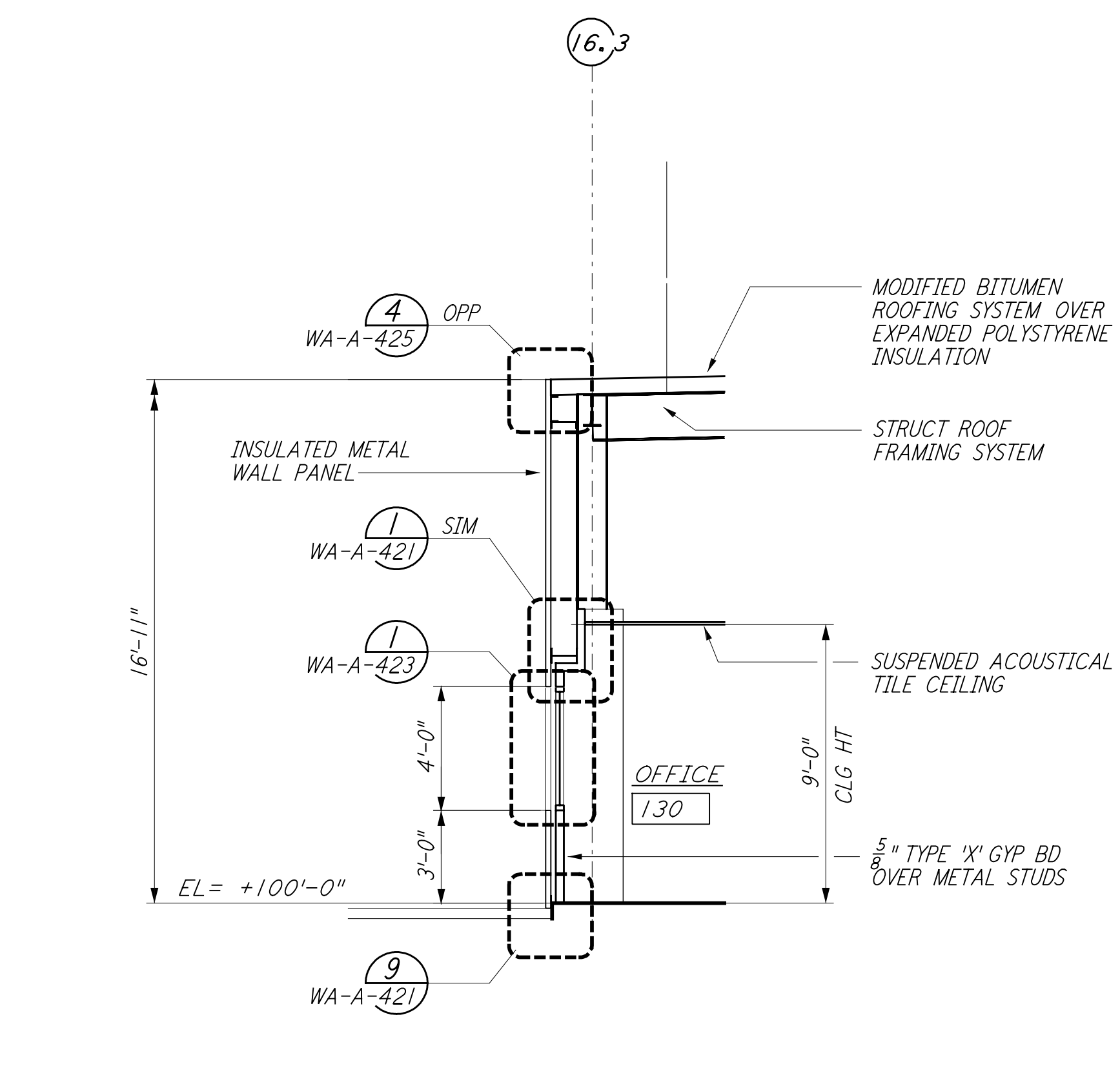
WALL SECTION
 1/4" = 1'-0"
 REF: E WA-A-163 WA-A-553



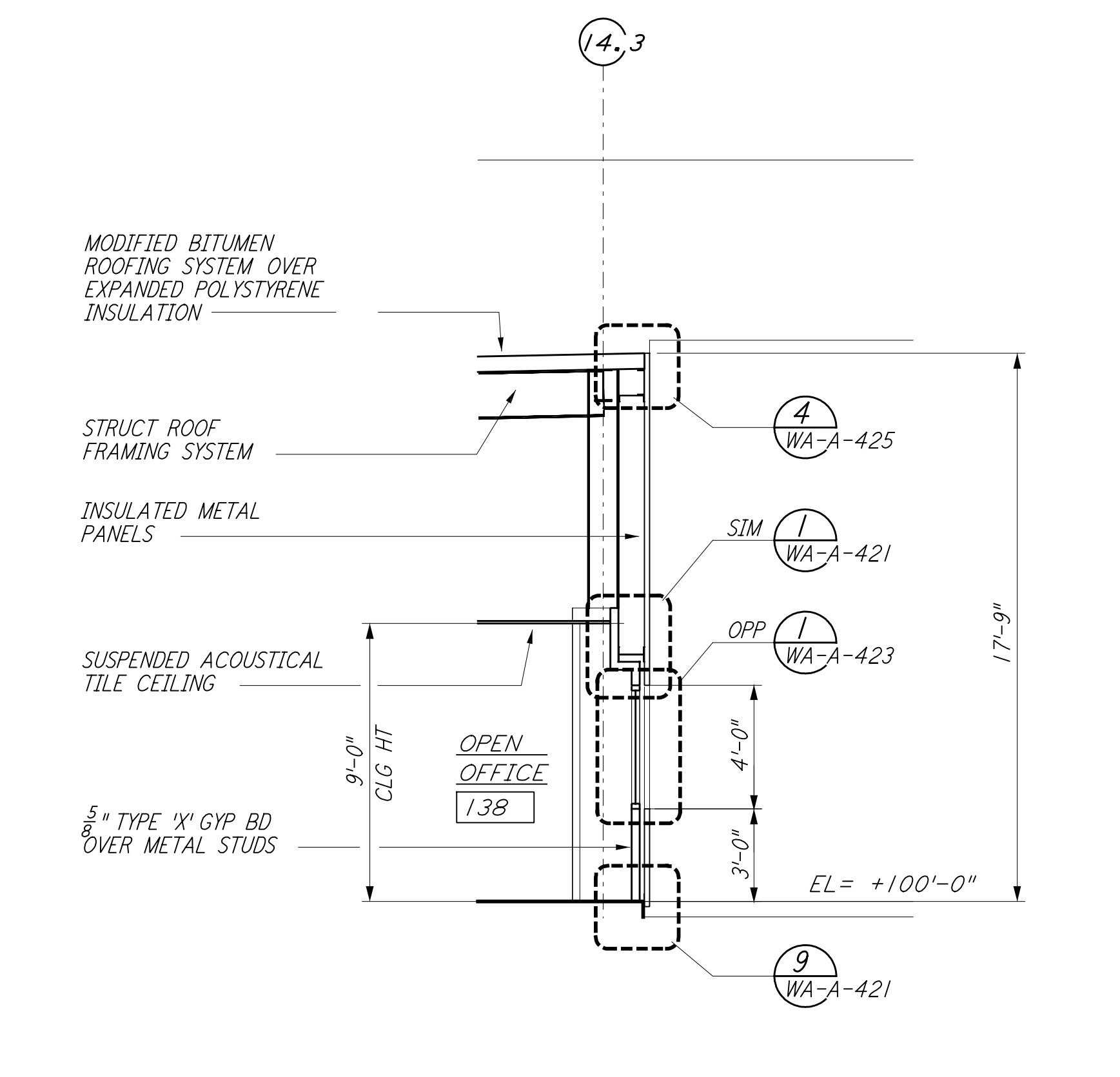
WALL SECTION
 1/4" = 1'-0"
 REF: C WA-A-163 WA-A-553



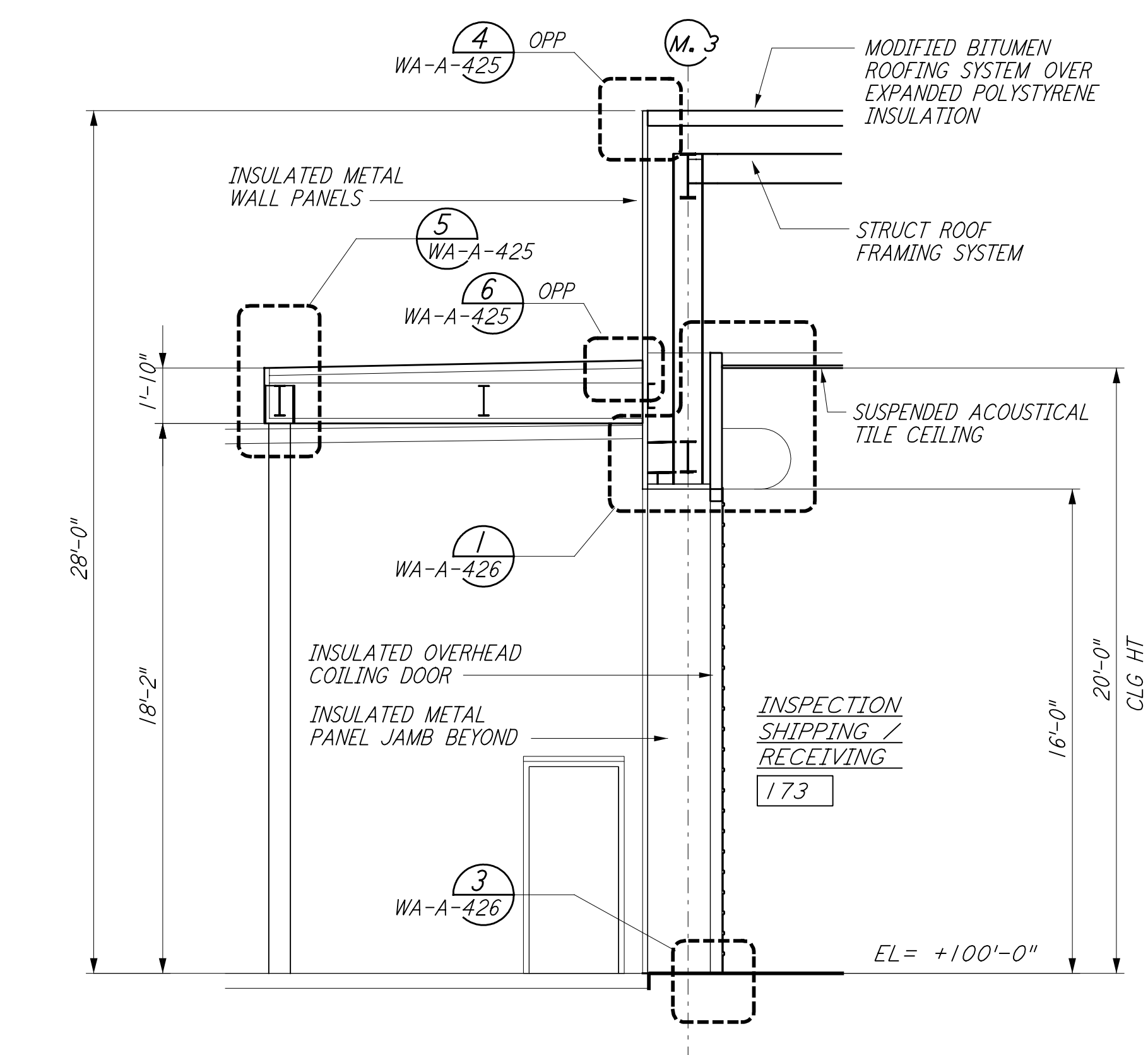
WALL SECTION
 1/4" = 1'-0"
 REF: A WA-A-163 WA-A-553



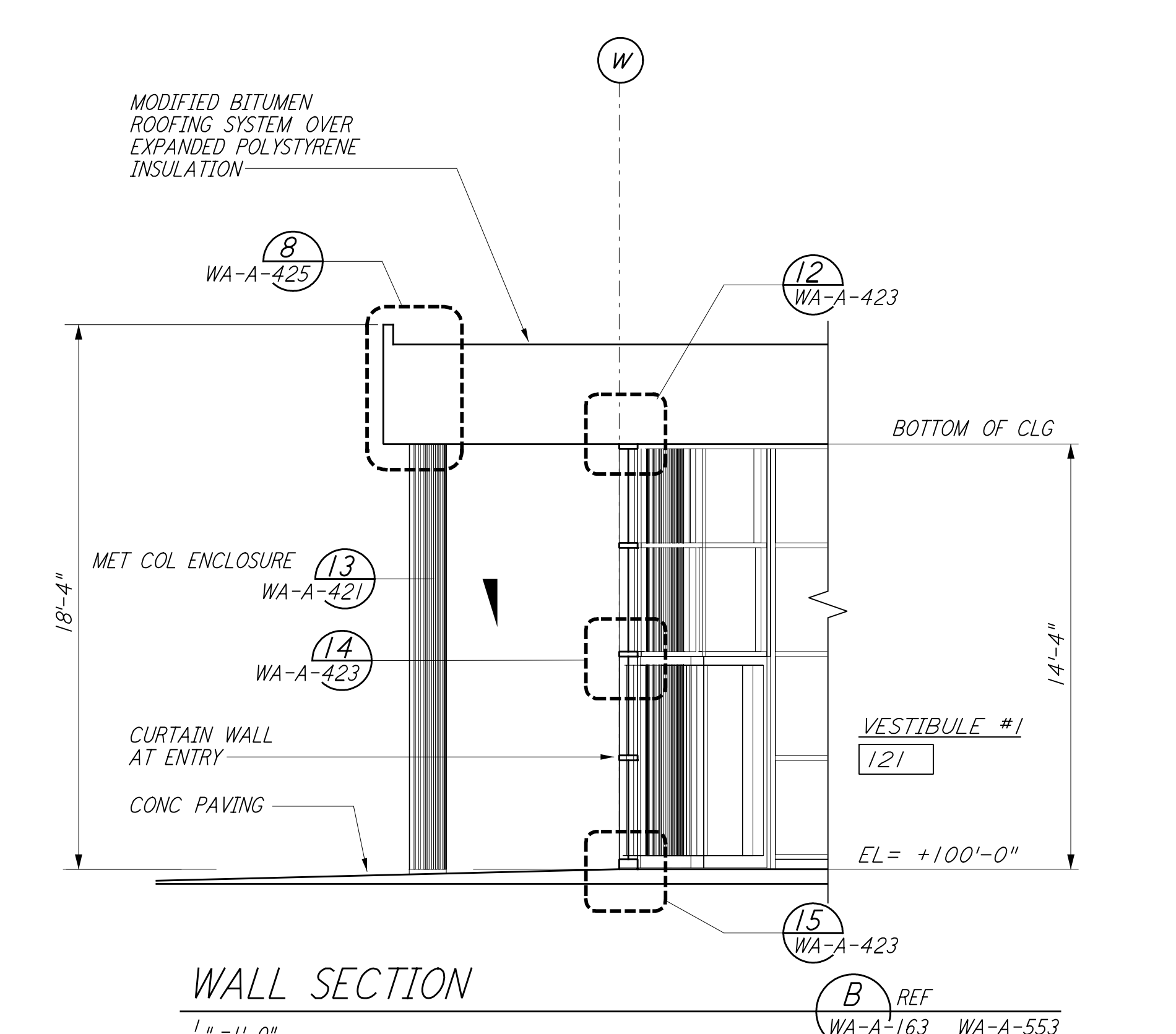
WALL SECTION
 1/4" = 1'-0"
 REF: H WA-A-163 WA-A-553



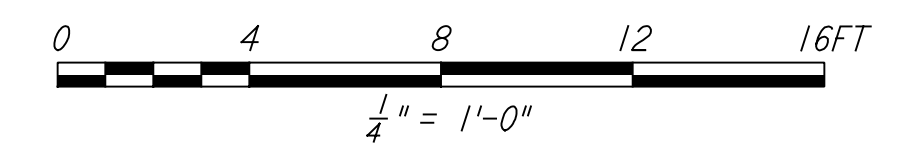
WALL SECTION
 1/4" = 1'-0"
 REF: F WA-A-163 WA-A-553



WALL SECTION
 1/4" = 1'-0"
 REF: D WA-A-163 WA-A-553



WALL SECTION
 1/4" = 1'-0"
 REF: B WA-A-163 WA-A-553



LIGO-D960258-01-O

NO.	DATE	BY	CHKD	ENGR	PROJ	DESCRIPTION
1	5-15-98	CKT				ISSUED FOR AS-BUILT

ISSUED FOR CONSTRUCTION		
DRAWN	CKT	5-12-96
CHECKED	TB	5-26-96
ENGINEER	BKK	7-12-96
PROJ	MDW	7-12-96

AS-BUILT DRAWINGS

100 WEST WALNUT STREET
 PASADENA, CALIFORNIA

CALIFORNIA INSTITUTE OF TECHNOLOGY
 MASSACHUSETTS INSTITUTE OF TECHNOLOGY

**LASER INTERFEROMETER
 GRAVITATIONAL-WAVE OBSERVATORY
 SITE NO. 1 - HANFORD, WASHINGTON**

TITLE	ARCHITECTURAL CORNER STATION WALL SECTIONS SHEET 3	SCALE	AS NOTED	PROJECT NUMBER	8094
SHEET NUMBER	WA-A-163	REVISIONS			

Note 1, Linda L Turner, 04/14/99 08:39:45 AM
LIGO-D960258-01-O