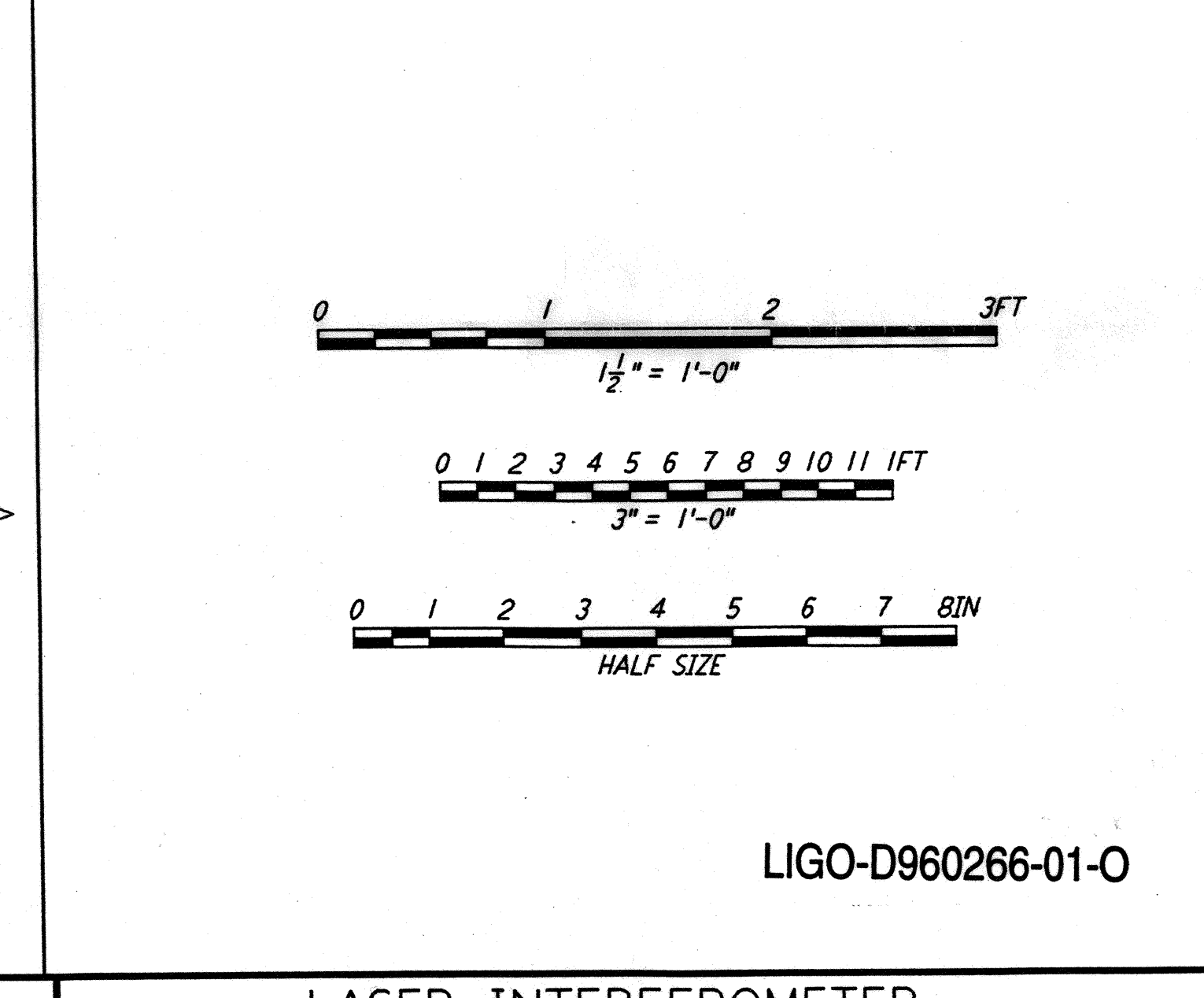
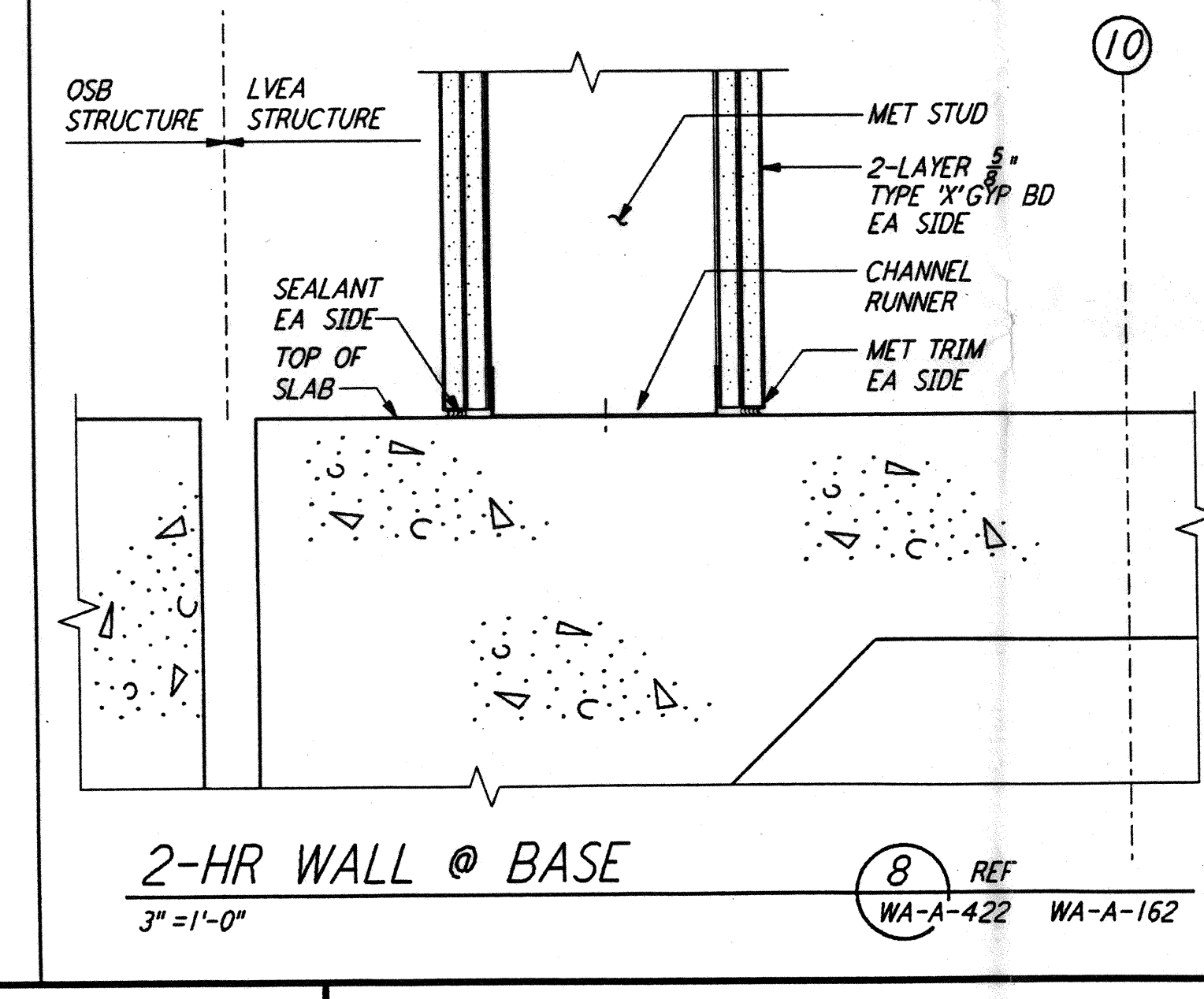
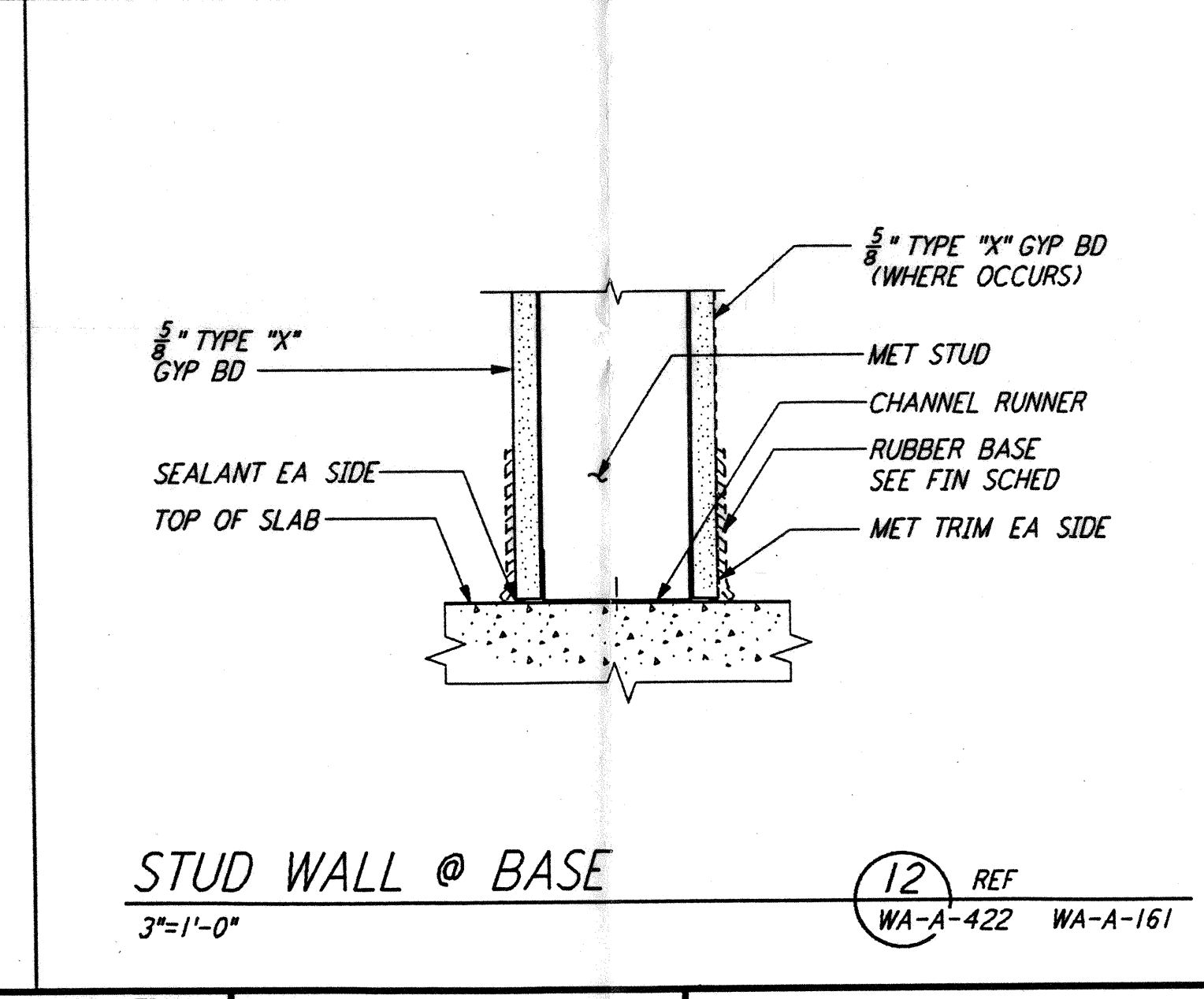
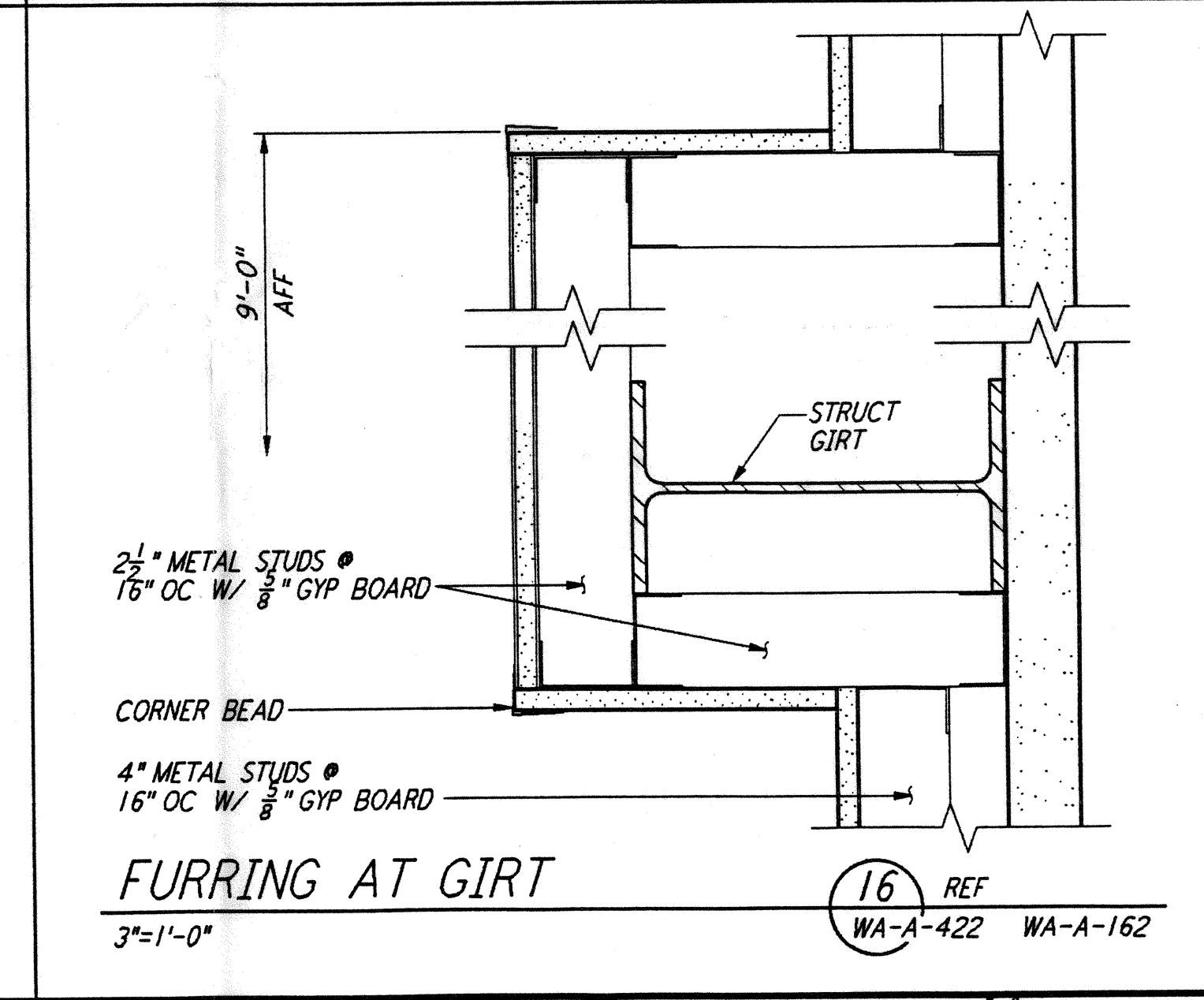
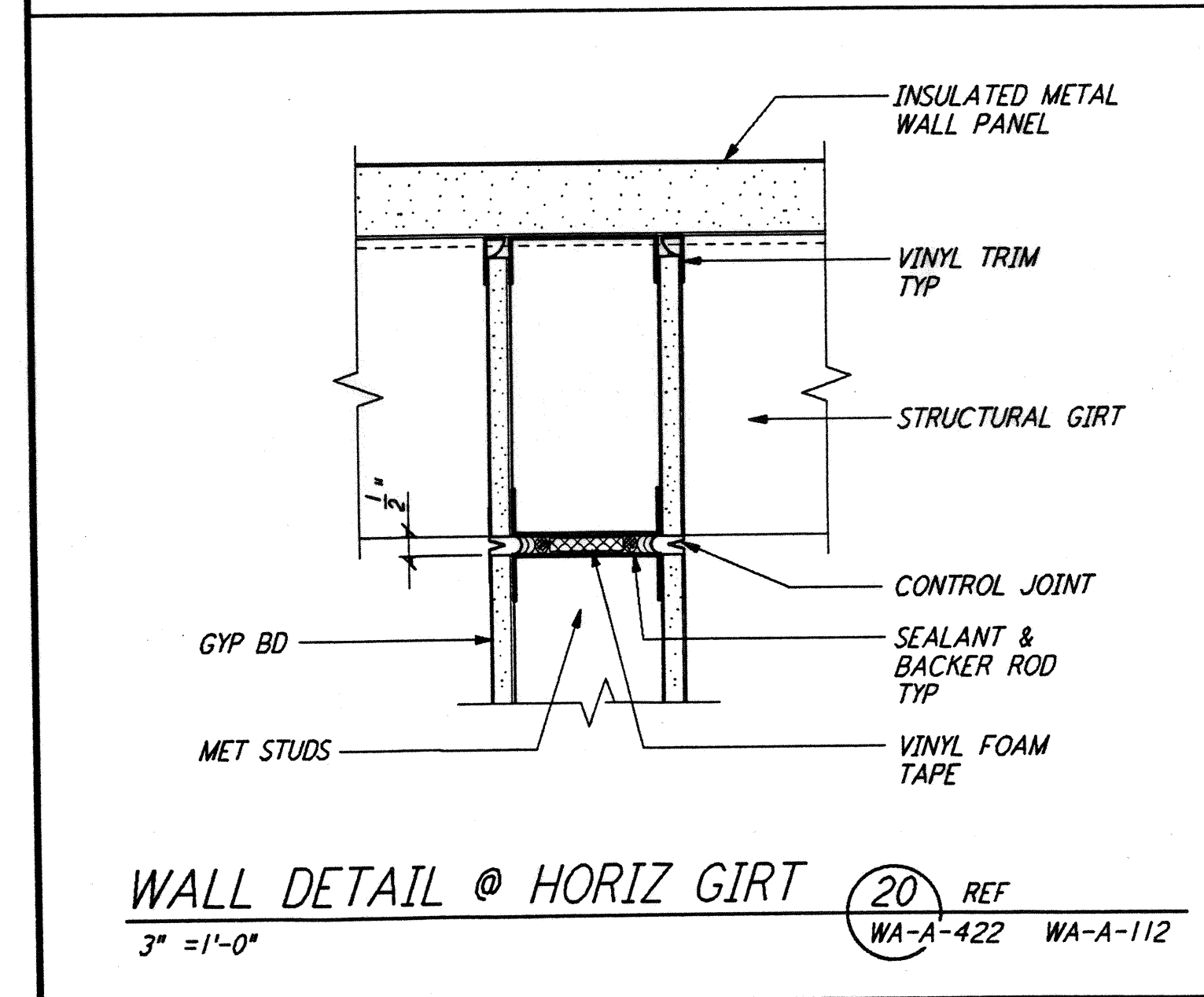
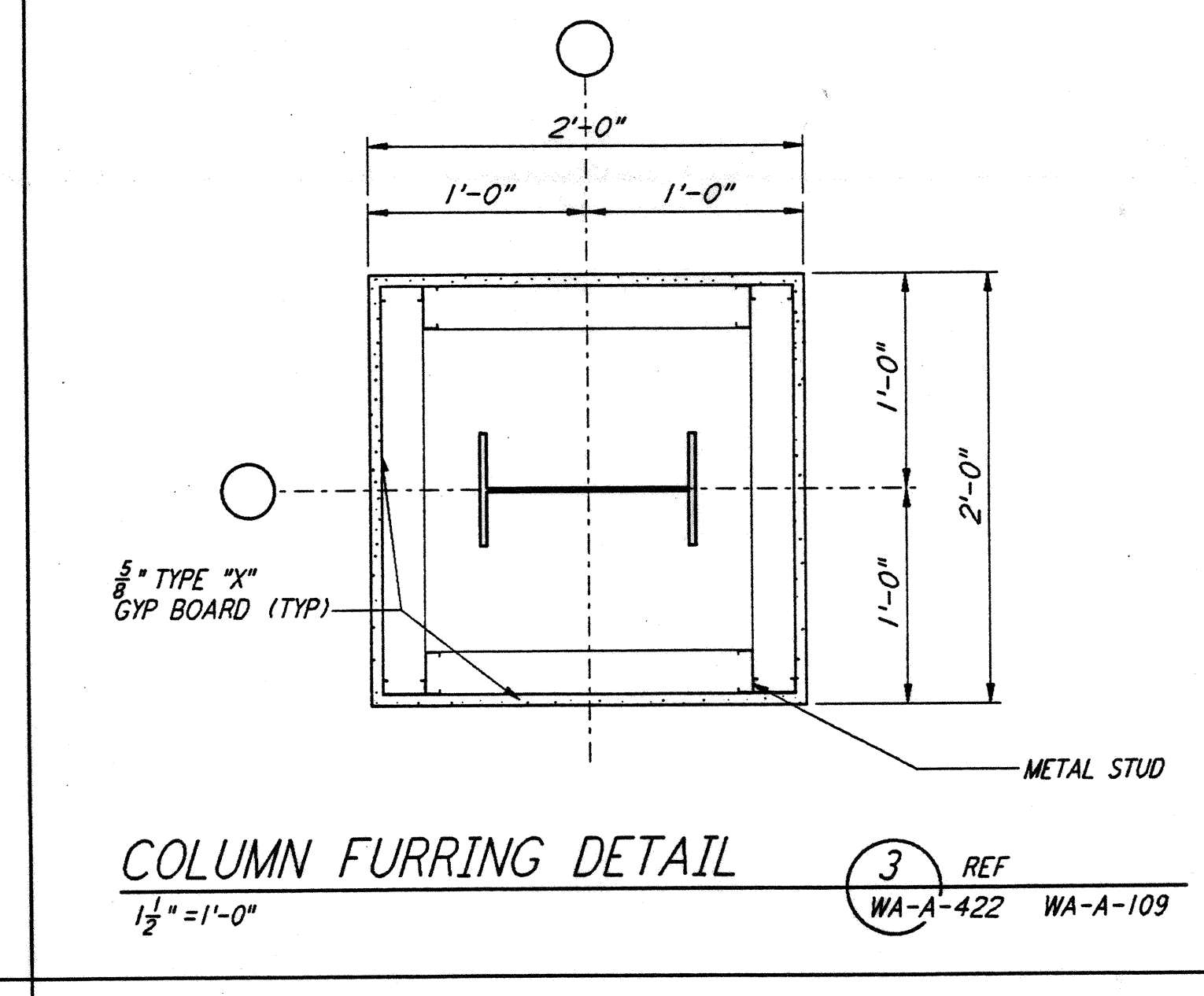
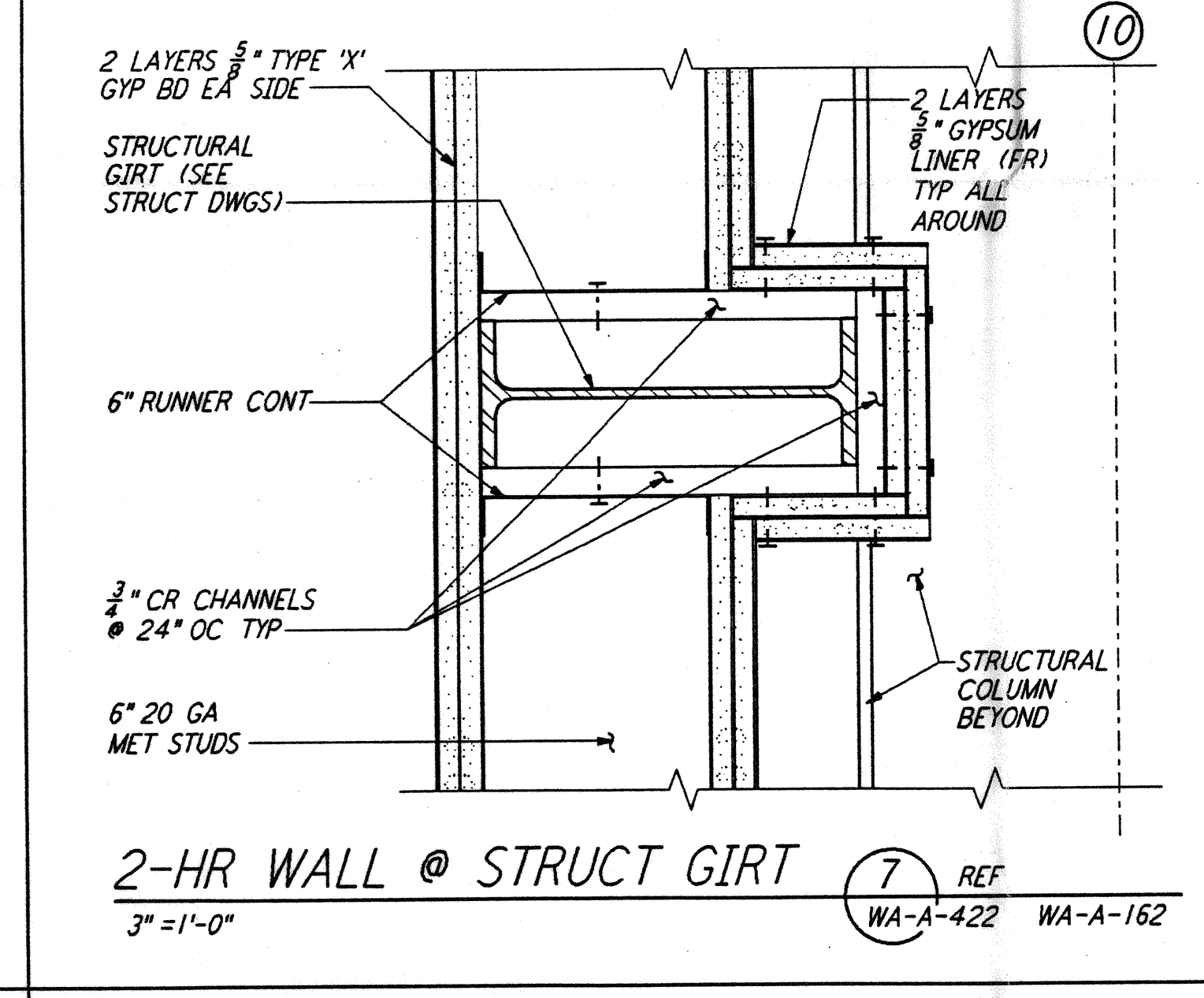
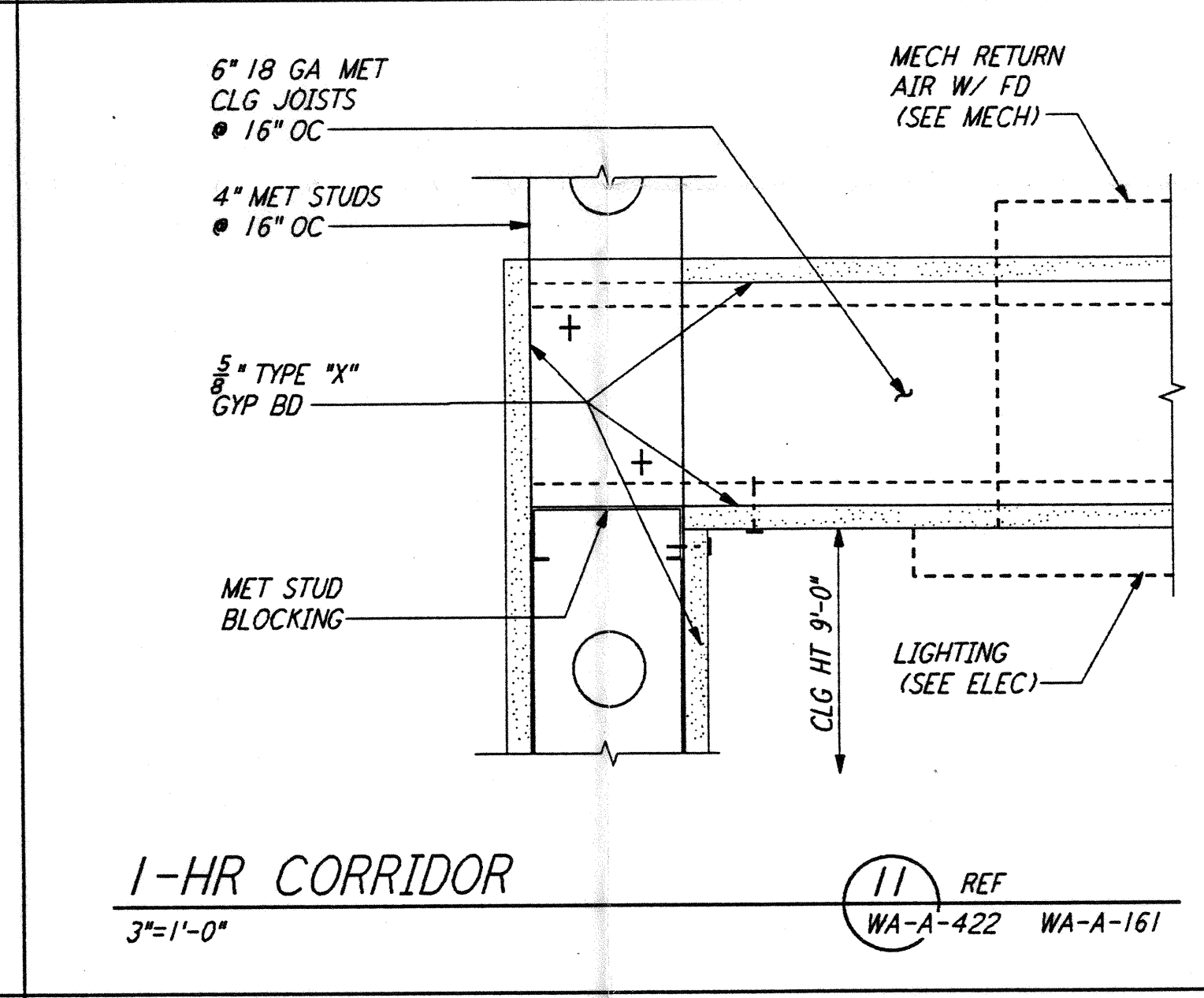
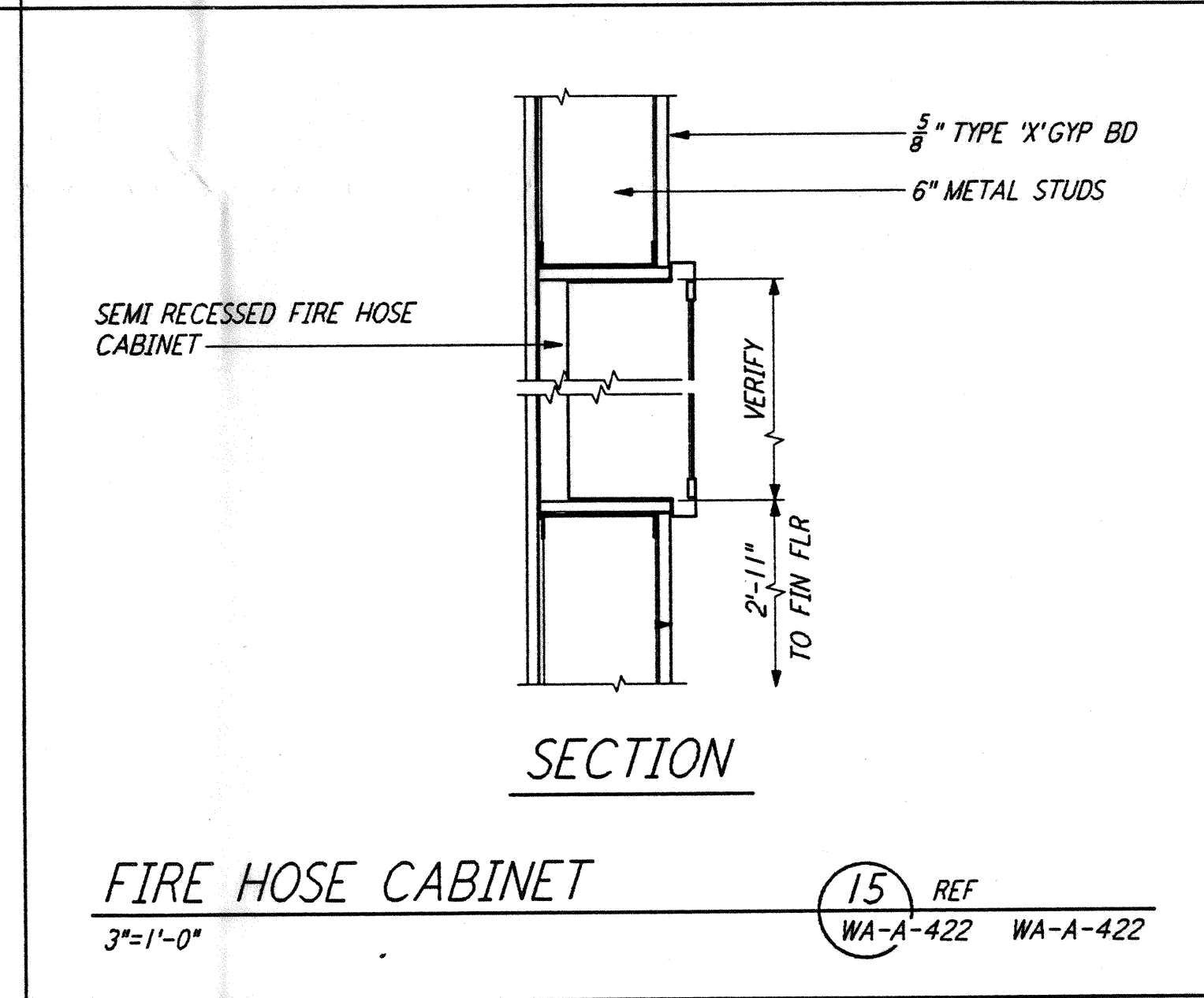
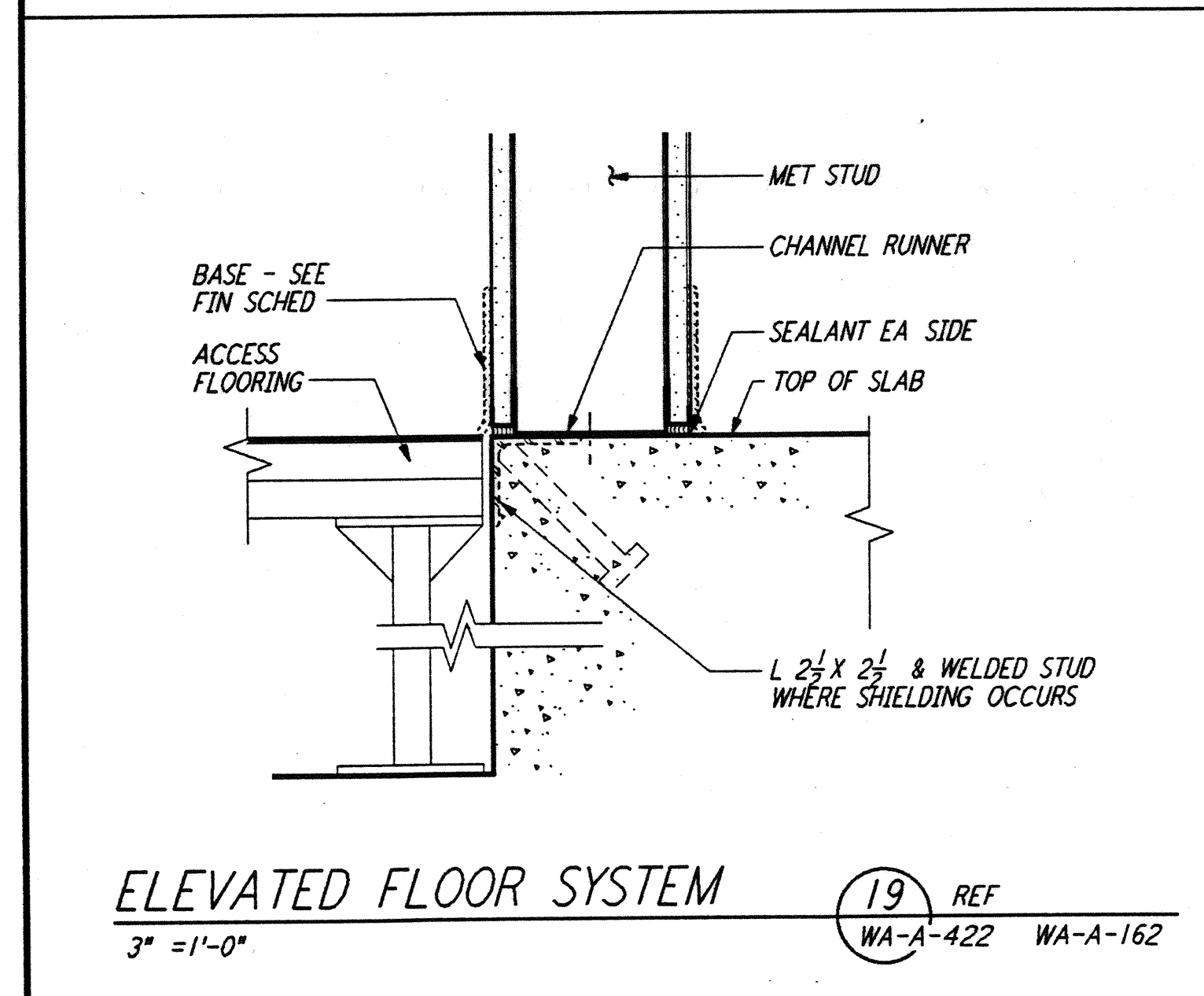
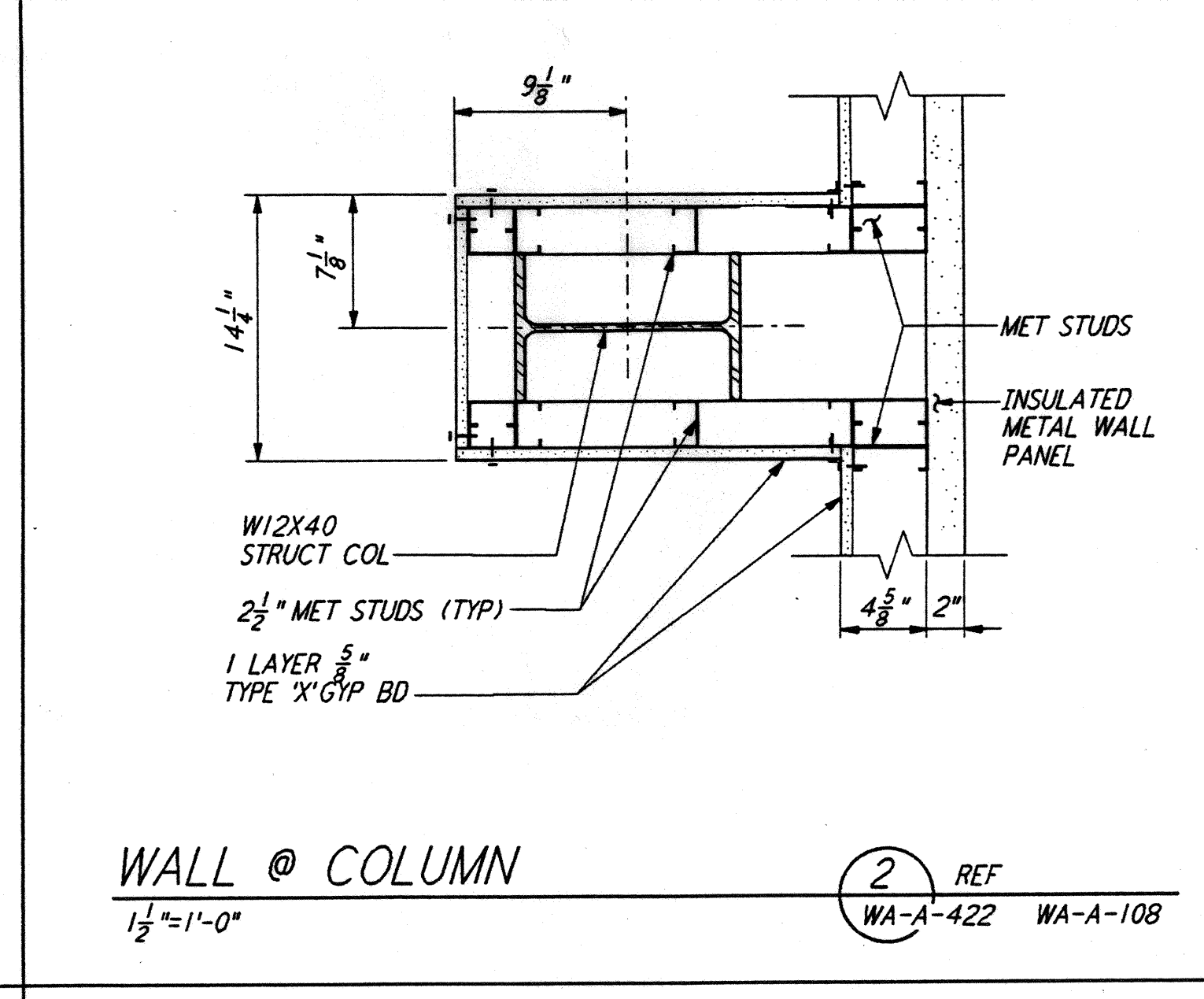
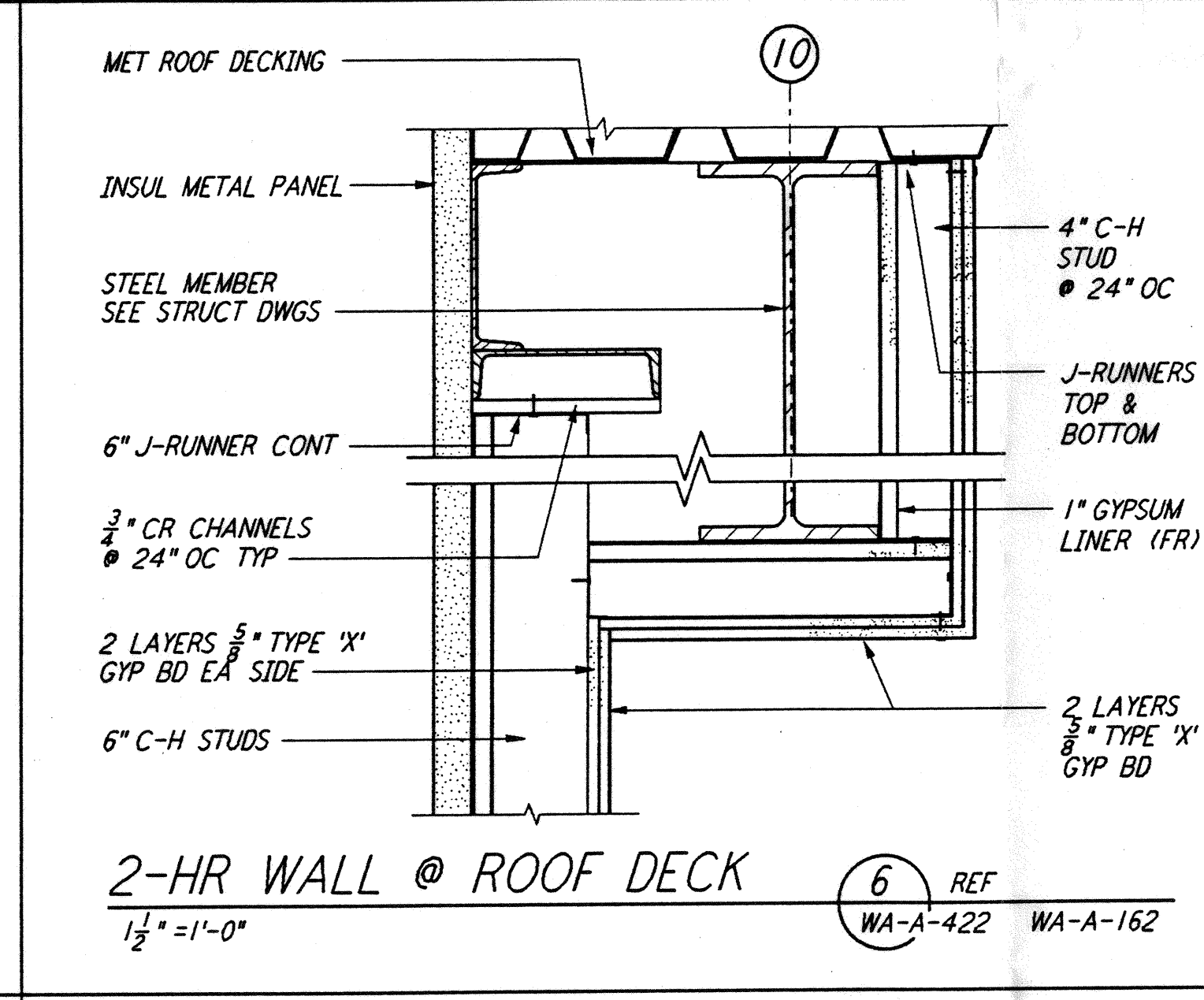
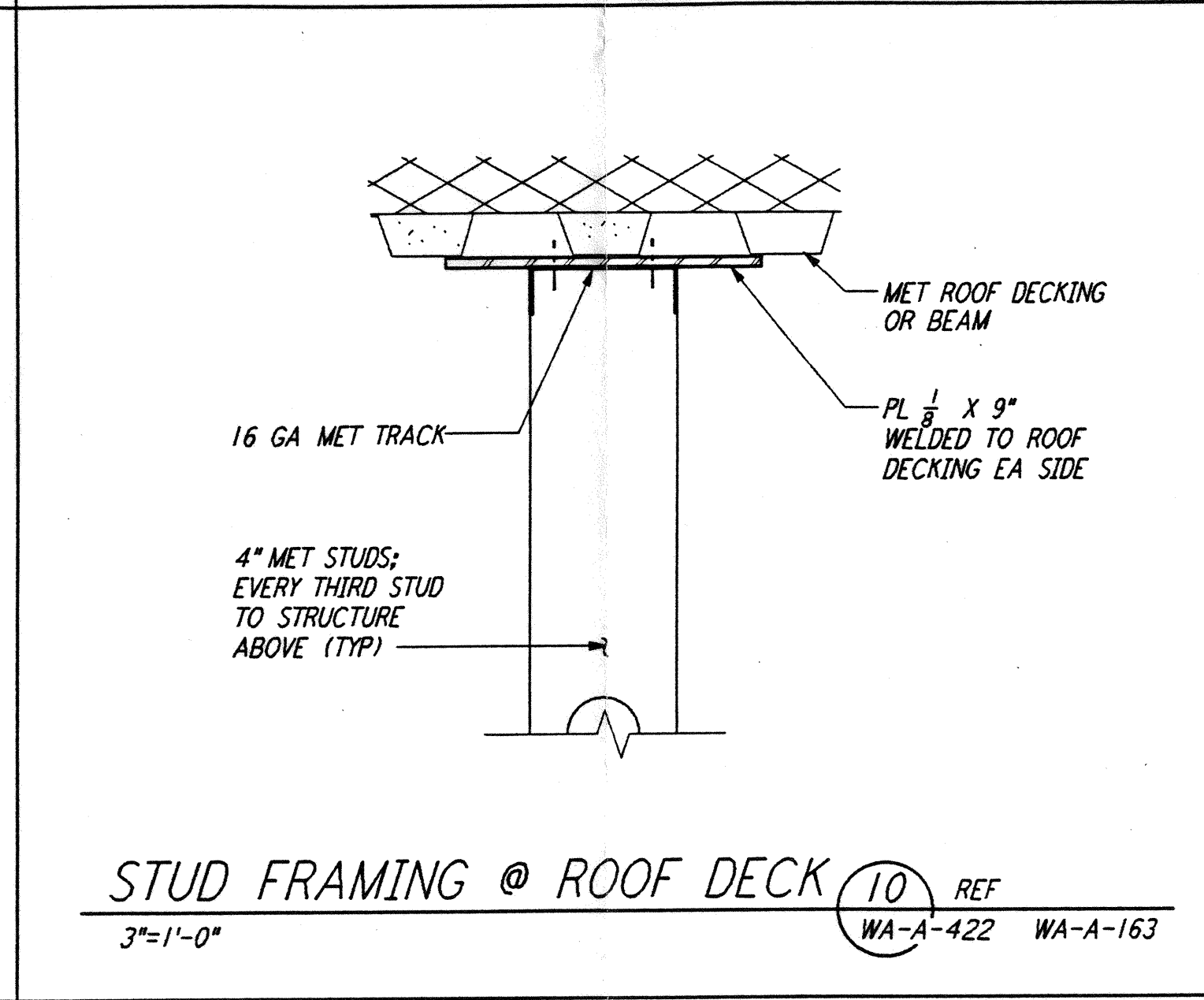
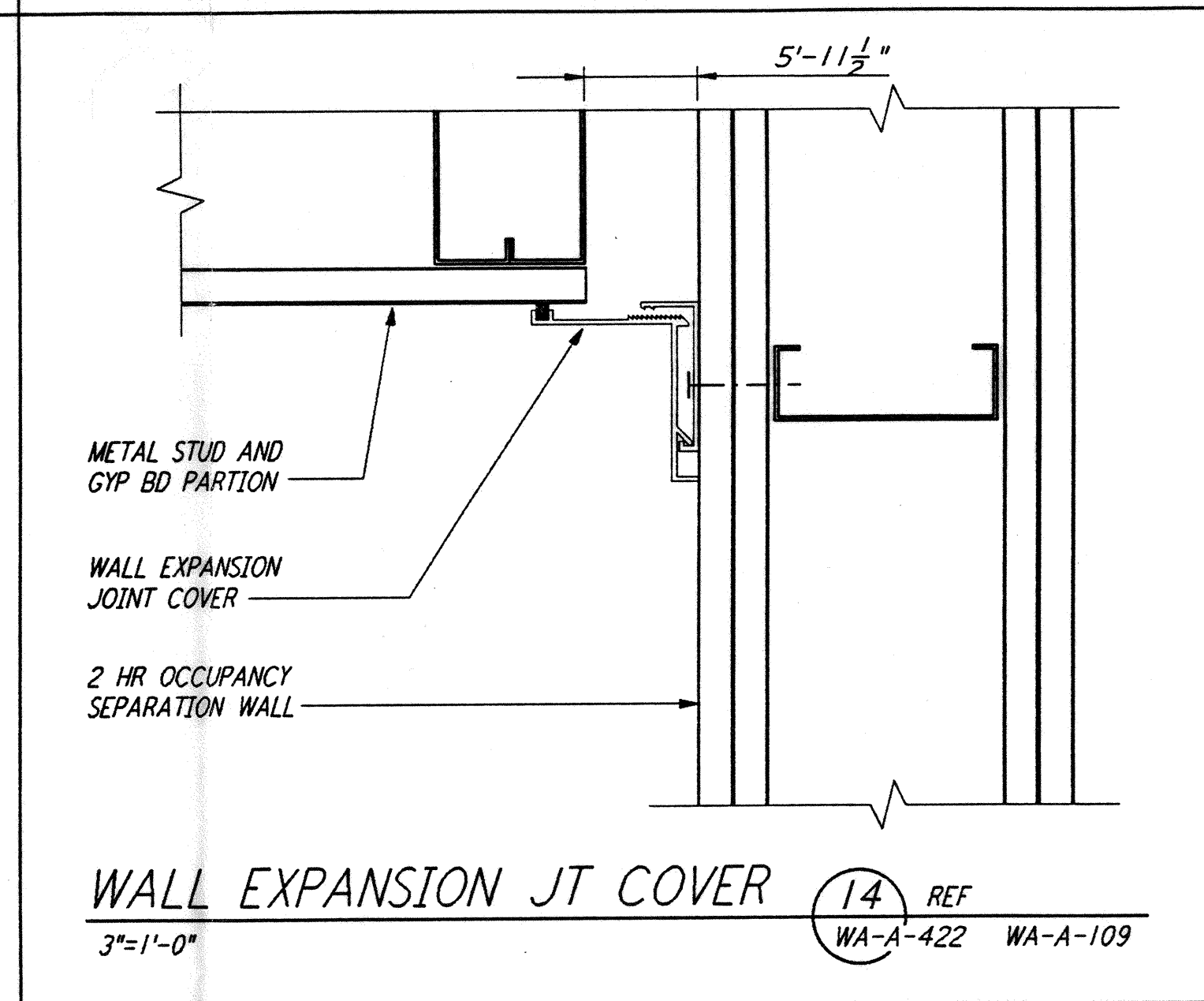
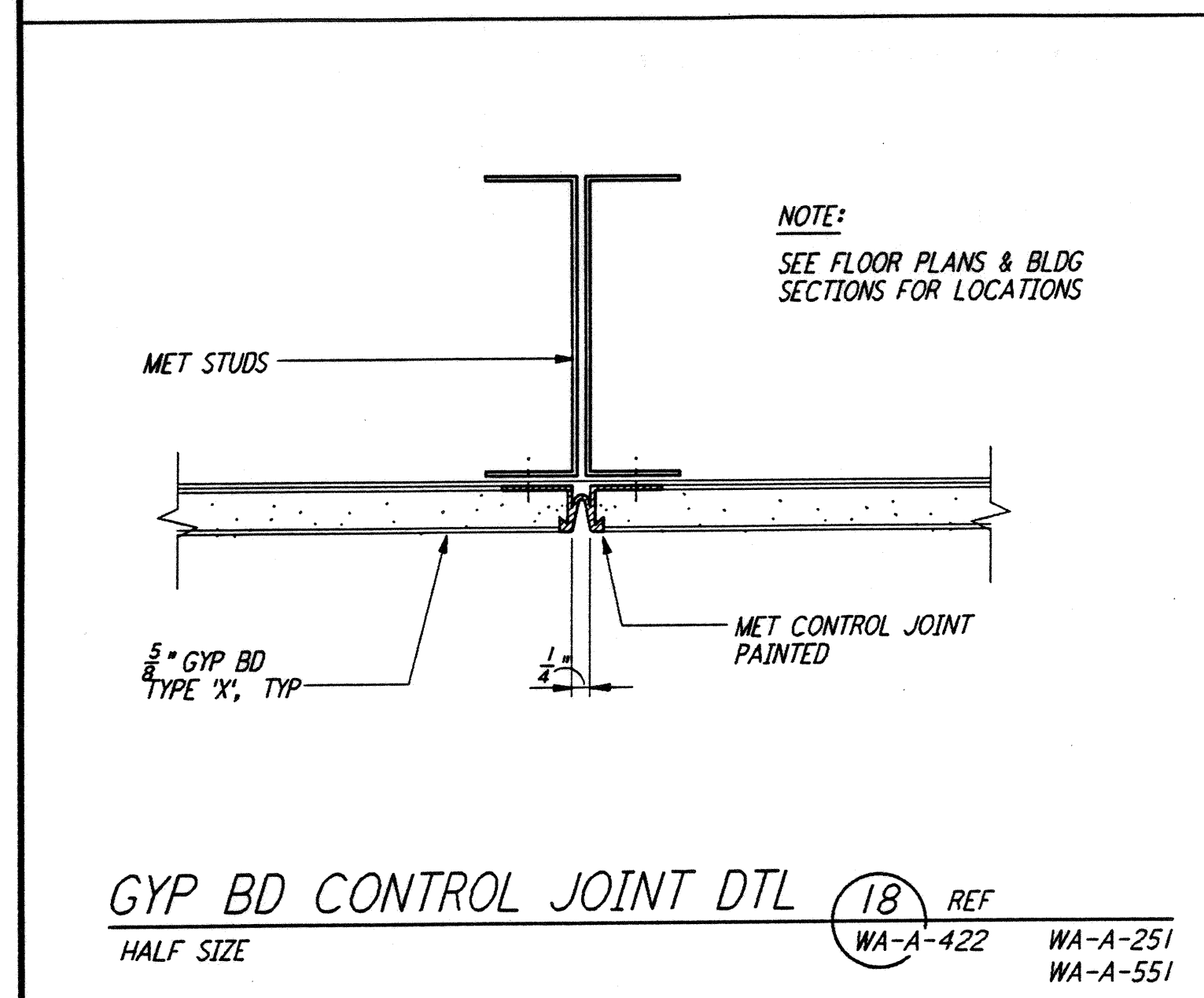
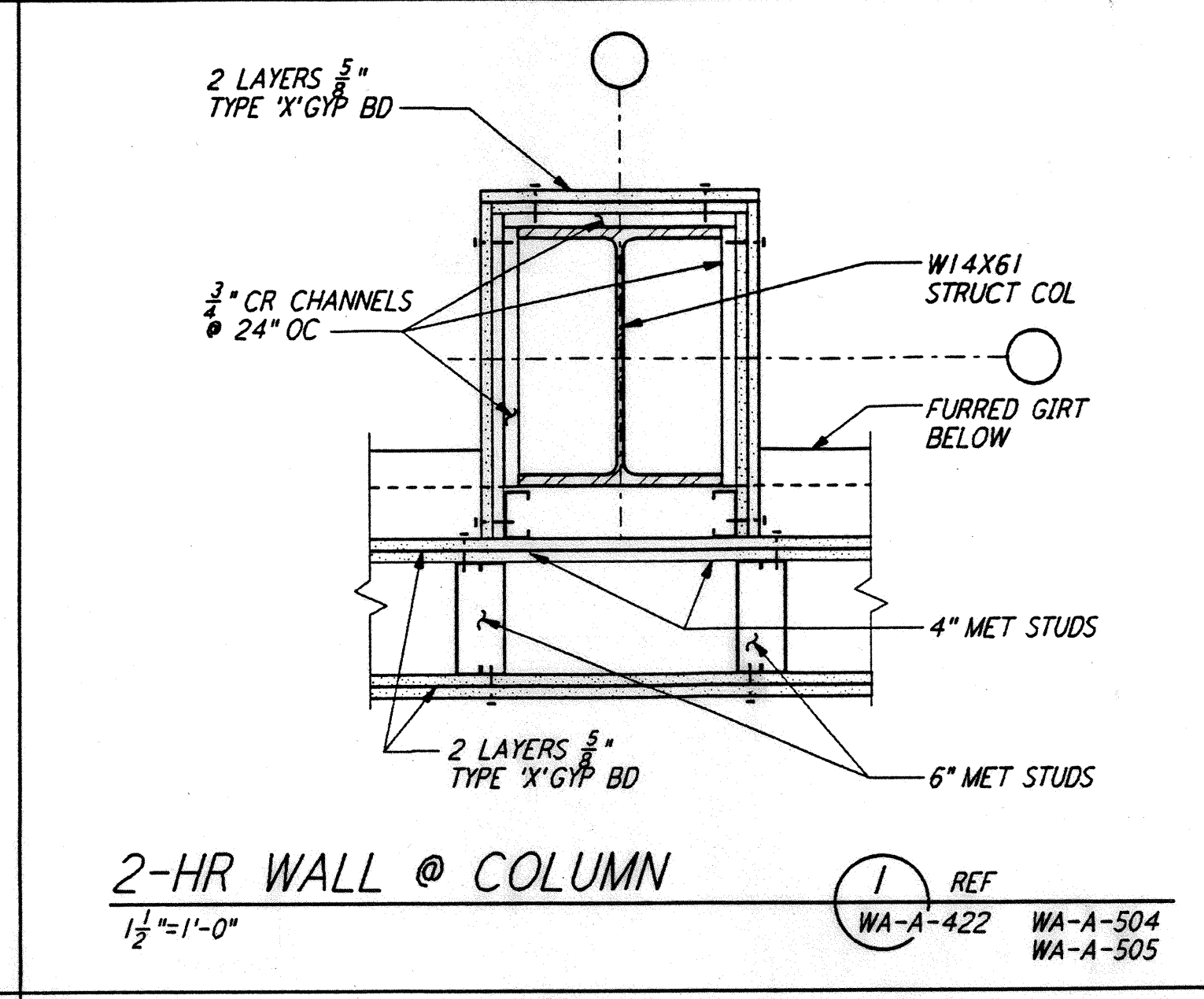
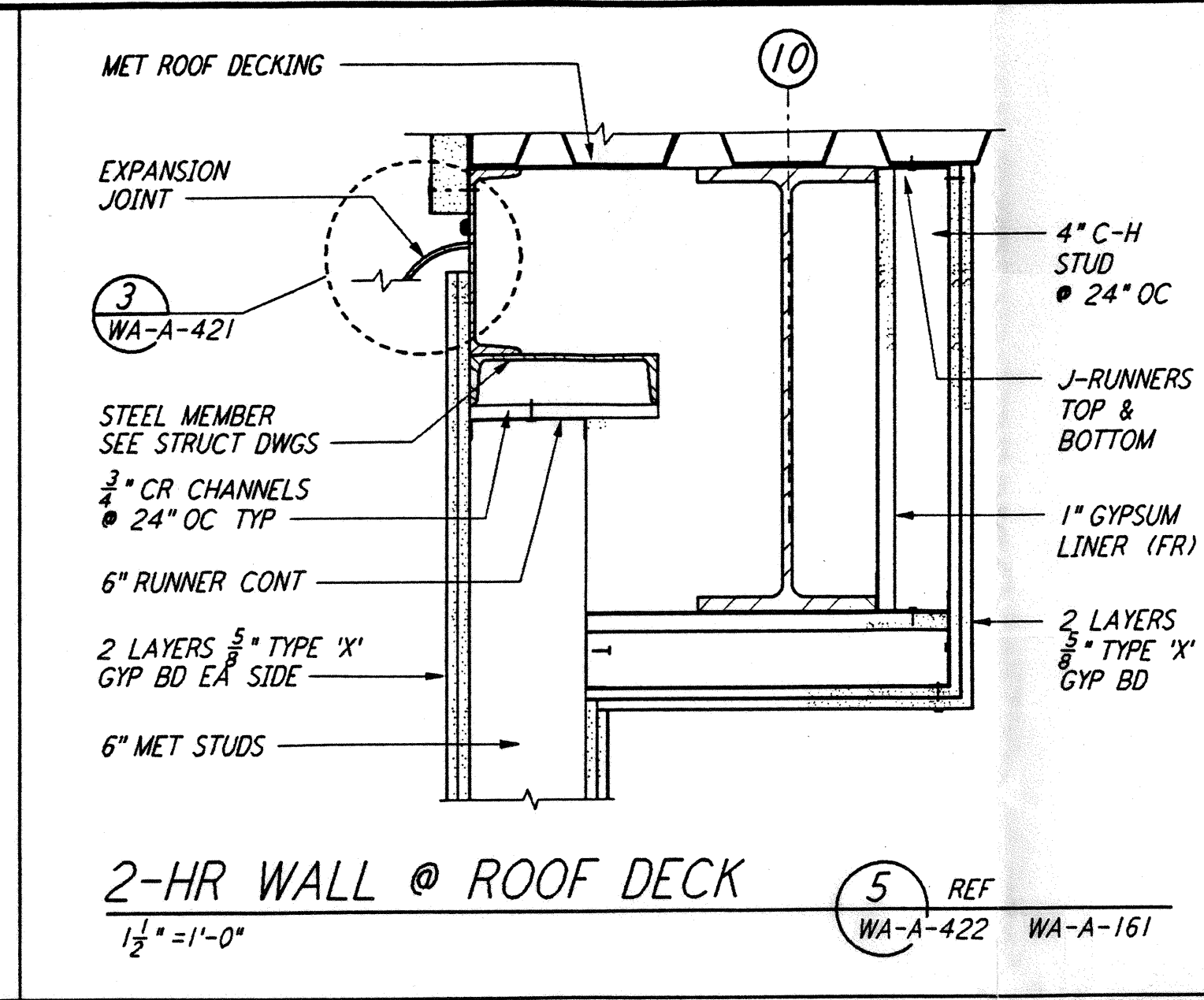
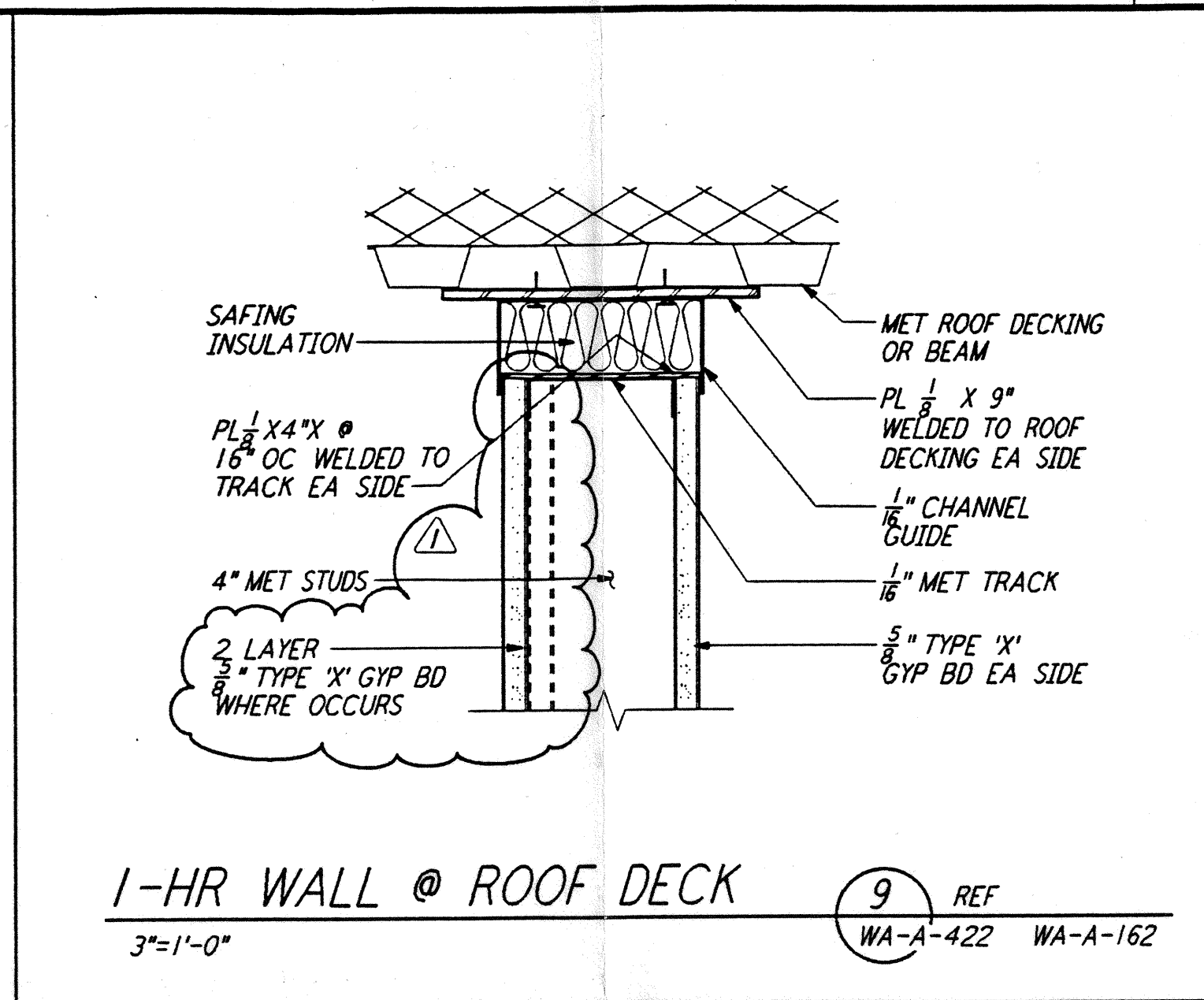
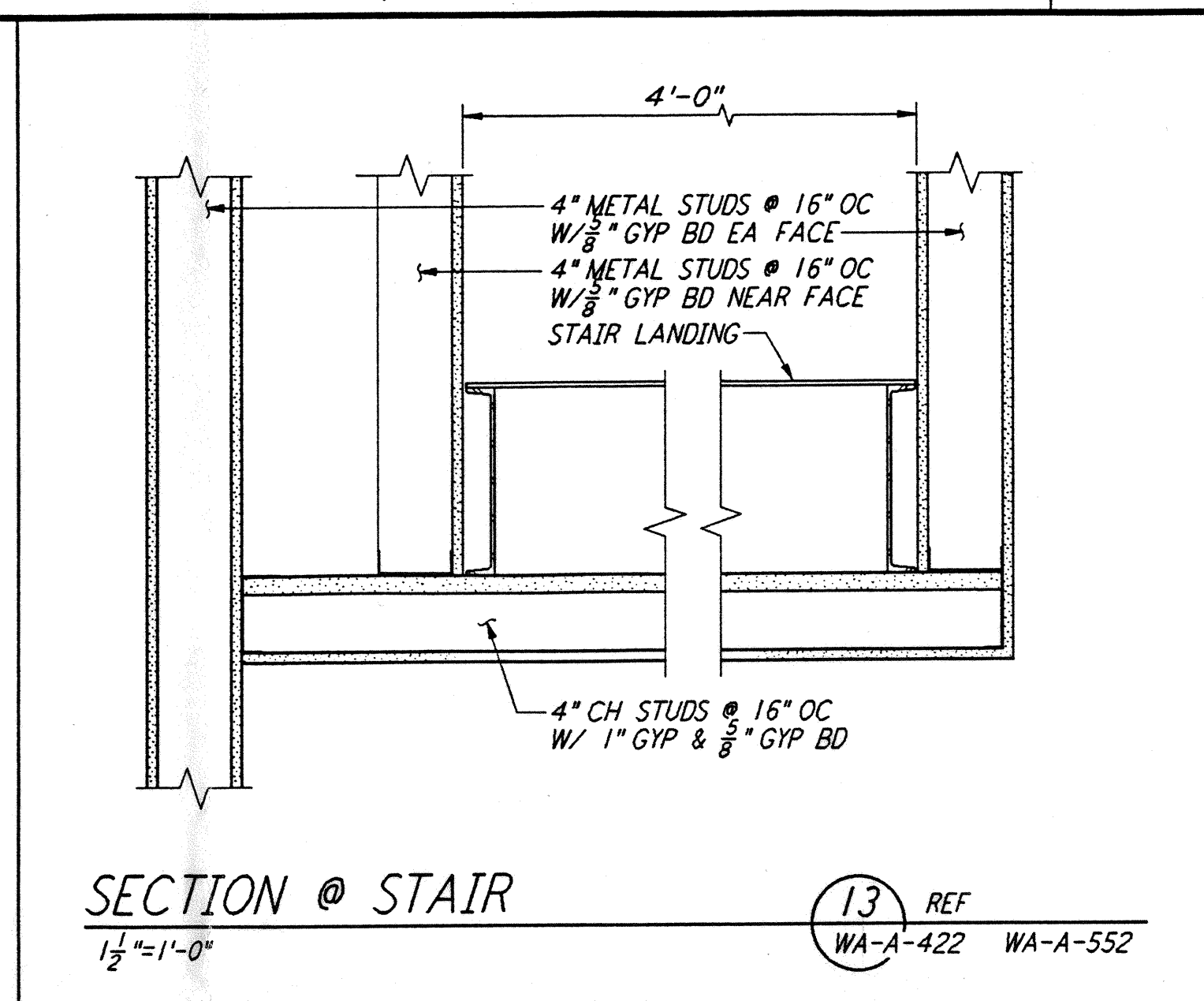
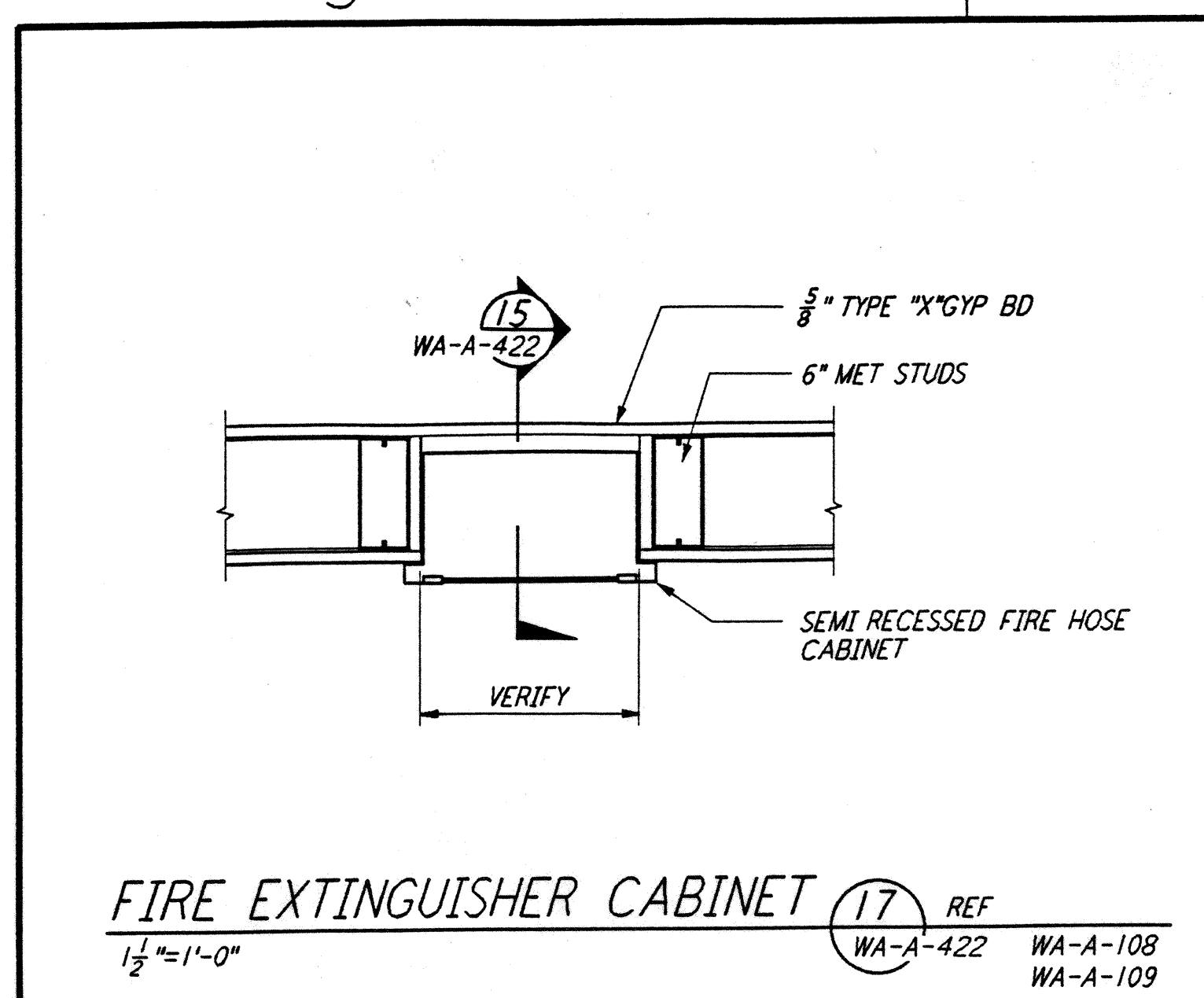


This document and the design it covers are the property of PARSONS. They are loaned only with the borrower's expressed written agreement that they will not be reproduced, copied, loaned, exhibited, or used in any other way, except by written consent from PARSONS to the borrower.



NO.	DATE	BY	CHKD	ENGR	PROJ	DESCRIPTION
1	2-28-97	CKT	TB	AK	TDM	CORNER STATION VSEA PARTITION

ISSUED FOR CONSTRUCTION	DRAWN	CHKD	ENGR	PROJ
	BK/RR	TB	bkk	MDW

6829 REGISTERED ARCHITECT
 ALEXANDER KRILL
 STATE OF WASHINGTON

PARSONS
 100 WEST WALNUT STREET
 PASADENA, CALIFORNIA

LIGO
 CALIFORNIA INSTITUTE OF TECHNOLOGY
 MASSACHUSETTS INSTITUTE OF TECHNOLOGY

LASER INTERFEROMETER
 GRAVITATIONAL-WAVE OBSERVATORY
 SITE NO. 1 - HANFORD, WASHINGTON
ARCHITECTURAL INTERIOR WALL DETAILS
 AS NOTED PP150969 8094
WA-A-422