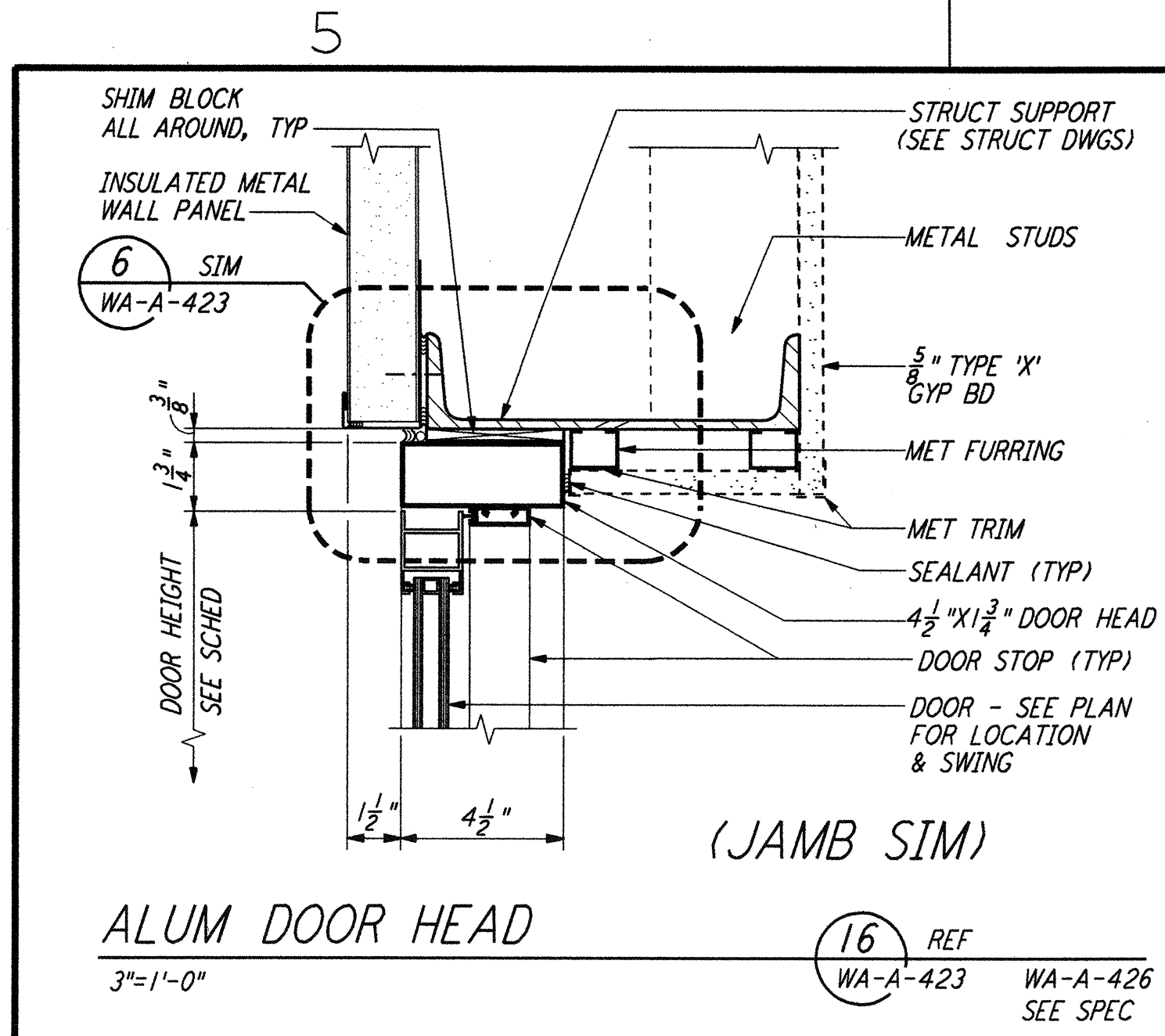
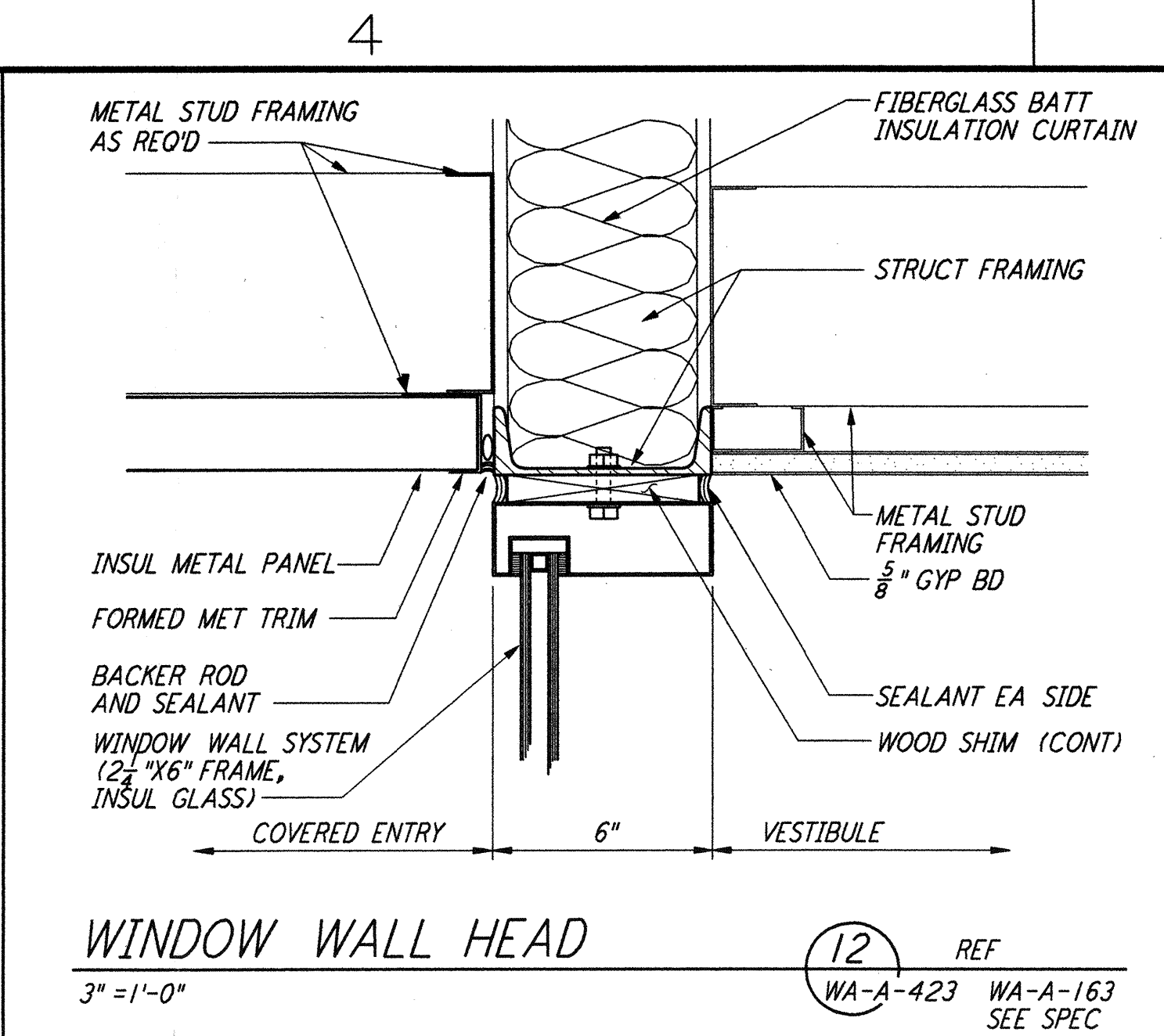


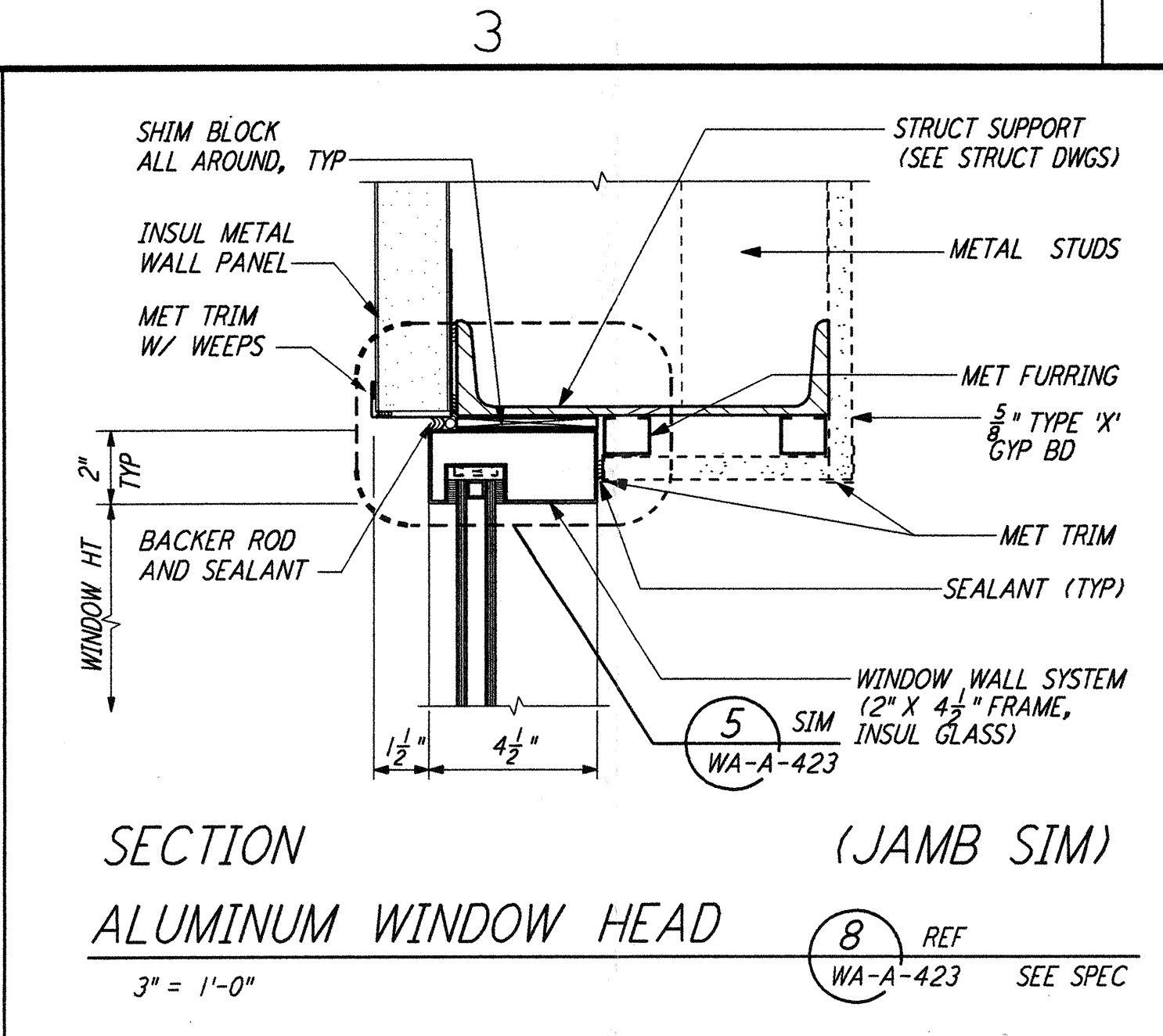
This document and the design it covers are the property of PARSONS. They are loaned only with the borrower's expressed written agreement that they will not be reproduced, copied, loaned, exhibited, or used in any other way, except by written consent from PARSONS to the borrower.



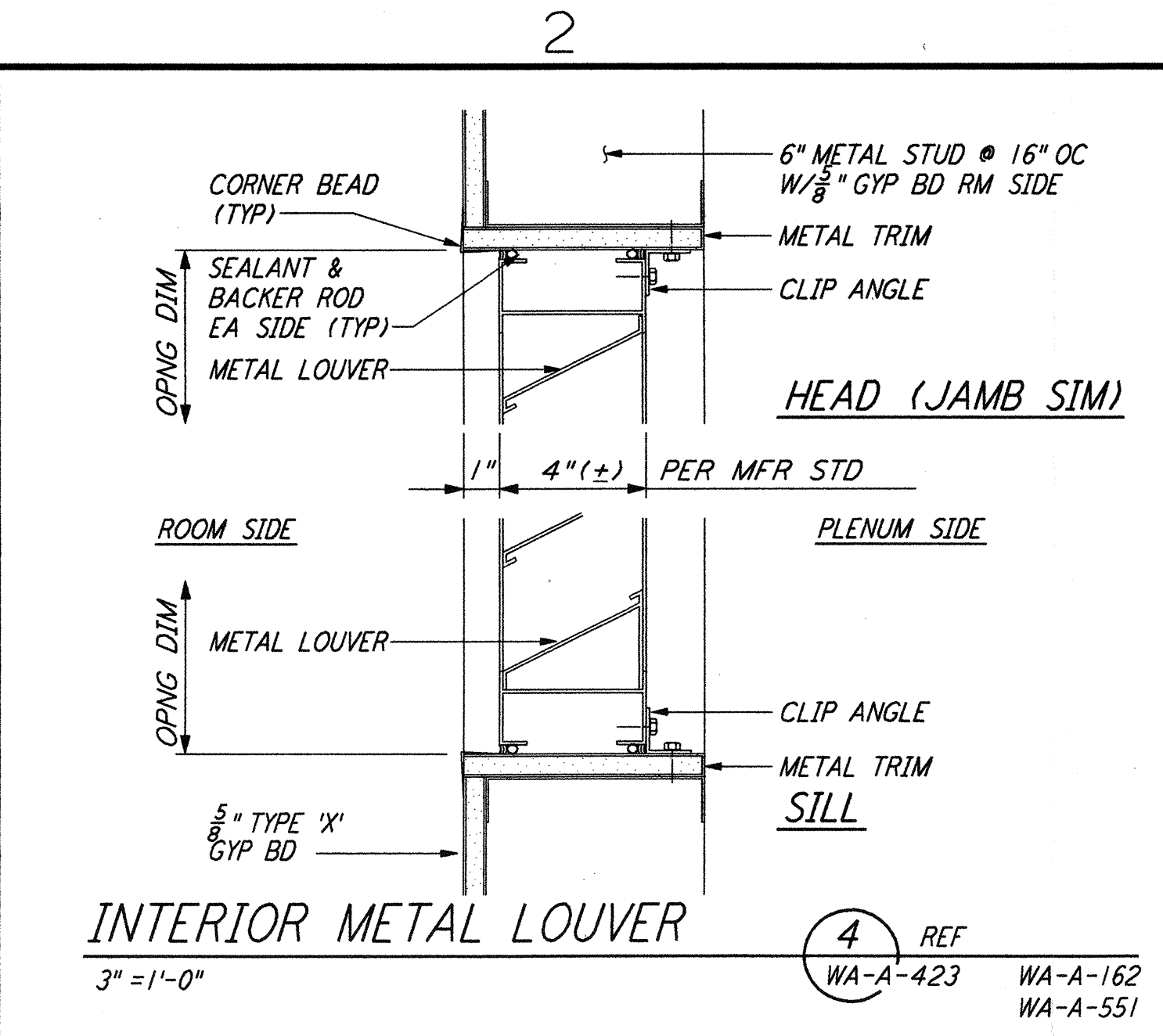
**ALUM DOOR HEAD** (16) REF  
 3" = 1'-0" WA-A-423 WA-A-426  
 SEE SPEC



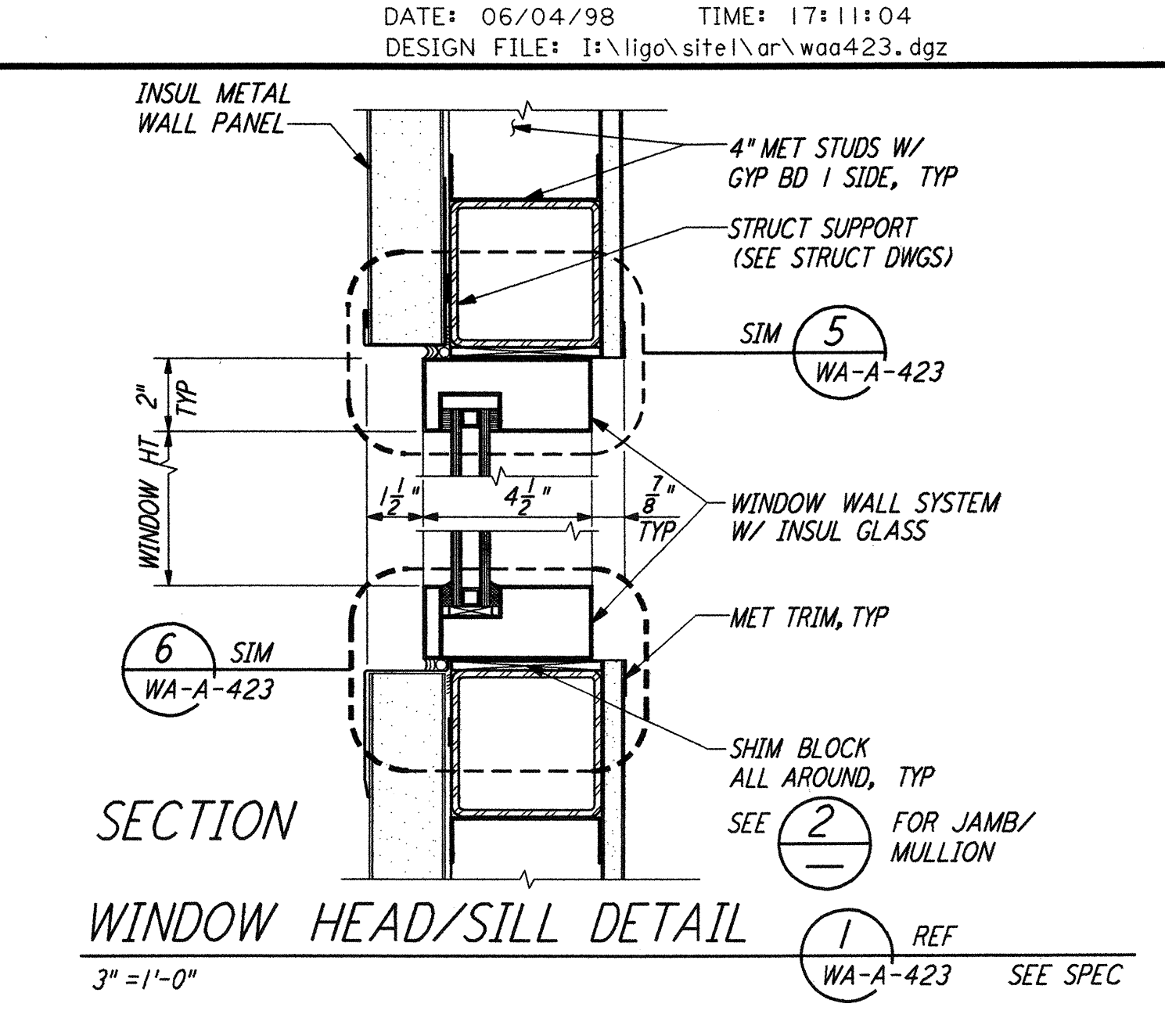
**WINDOW WALL HEAD** (12) REF  
 3" = 1'-0" WA-A-423 WA-A-163  
 SEE SPEC



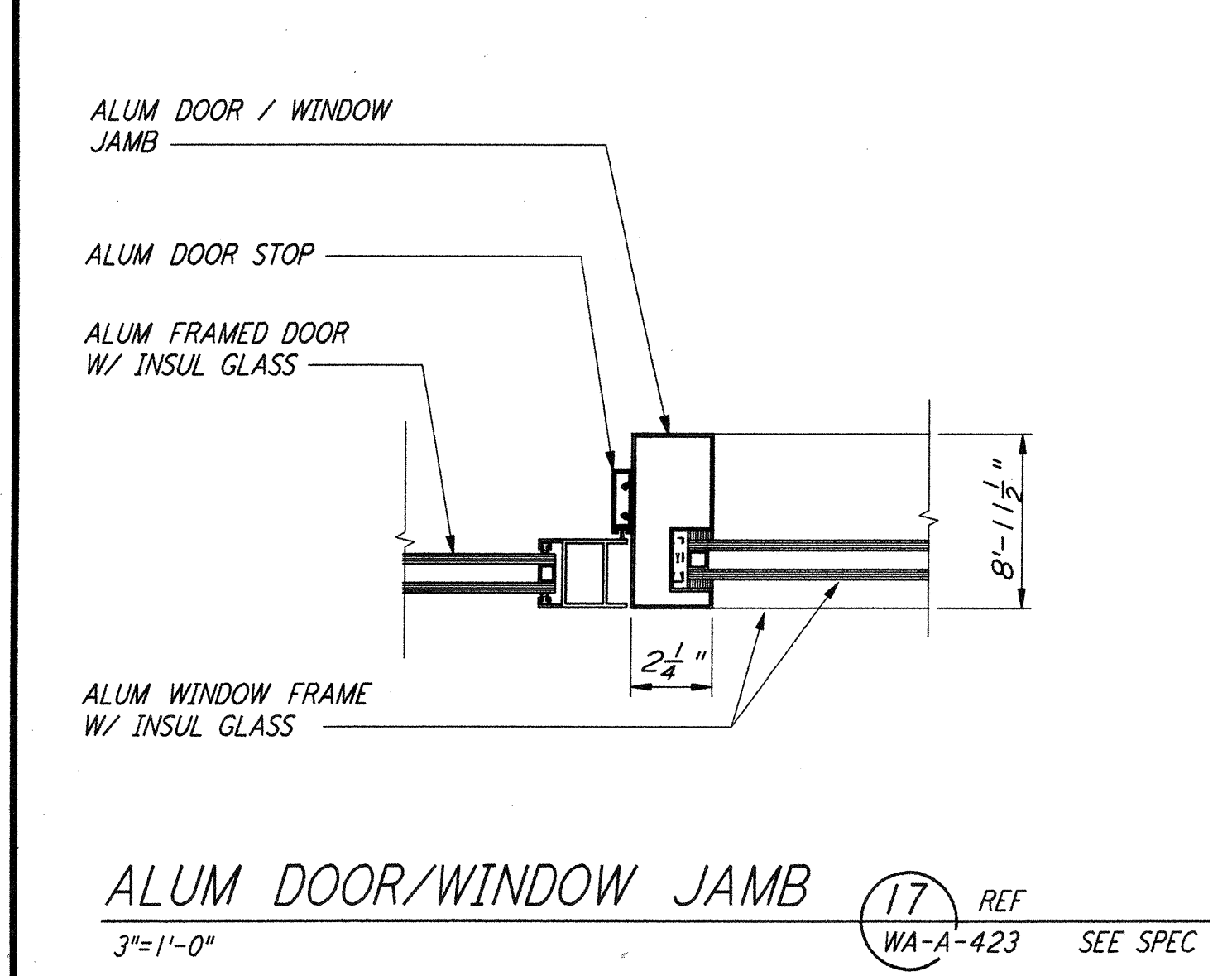
**SECTION ALUMINUM WINDOW HEAD** (8) REF  
 3" = 1'-0" WA-A-423 SEE SPEC



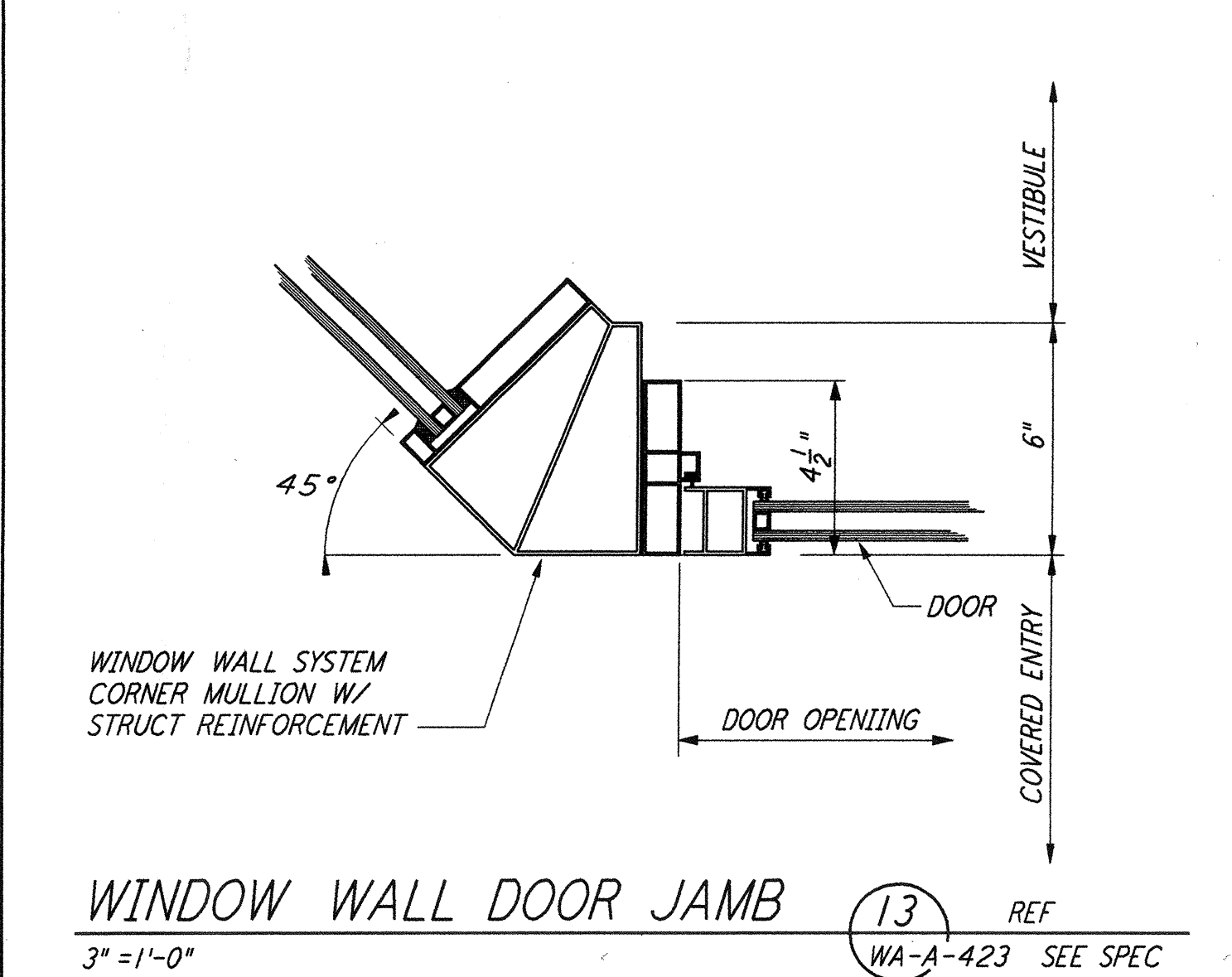
**INTERIOR METAL LOUVER** (4) REF  
 3" = 1'-0" WA-A-423 WA-A-162  
 WA-A-551



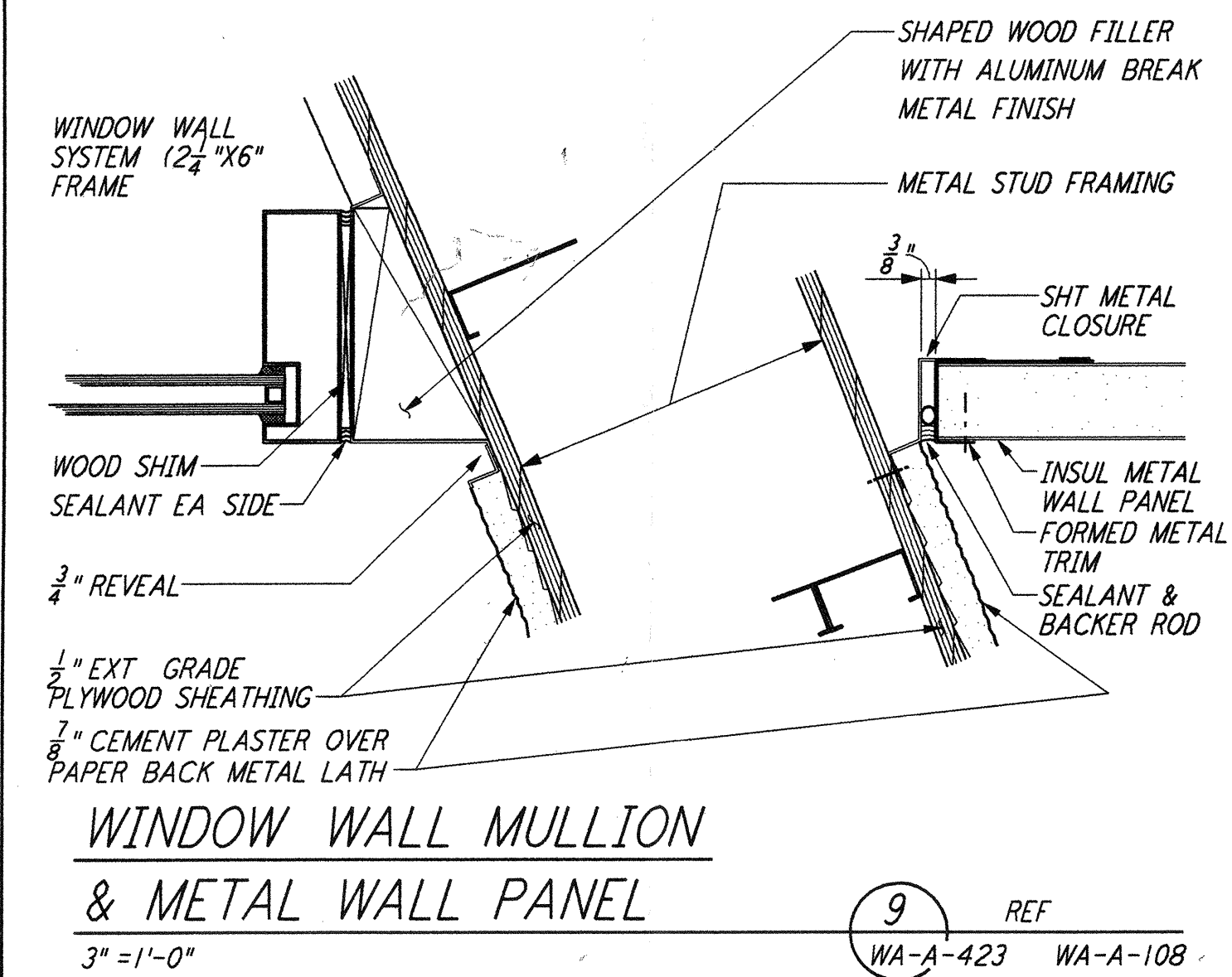
**SECTION WINDOW HEAD/SILL DETAIL** (1) REF  
 3" = 1'-0" WA-A-423 SEE SPEC



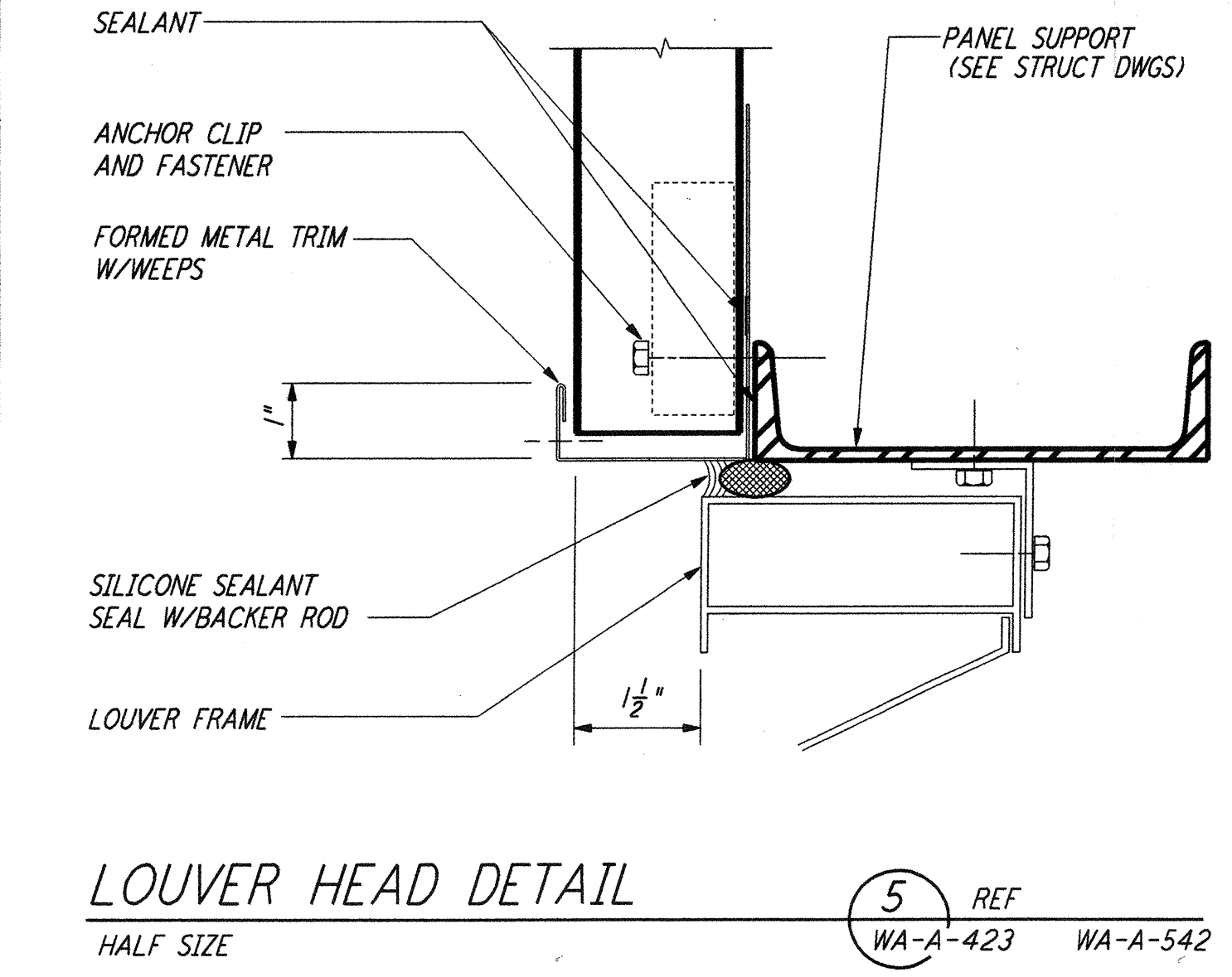
**ALUM DOOR/WINDOW JAMB** (17) REF  
 3" = 1'-0" WA-A-423 SEE SPEC



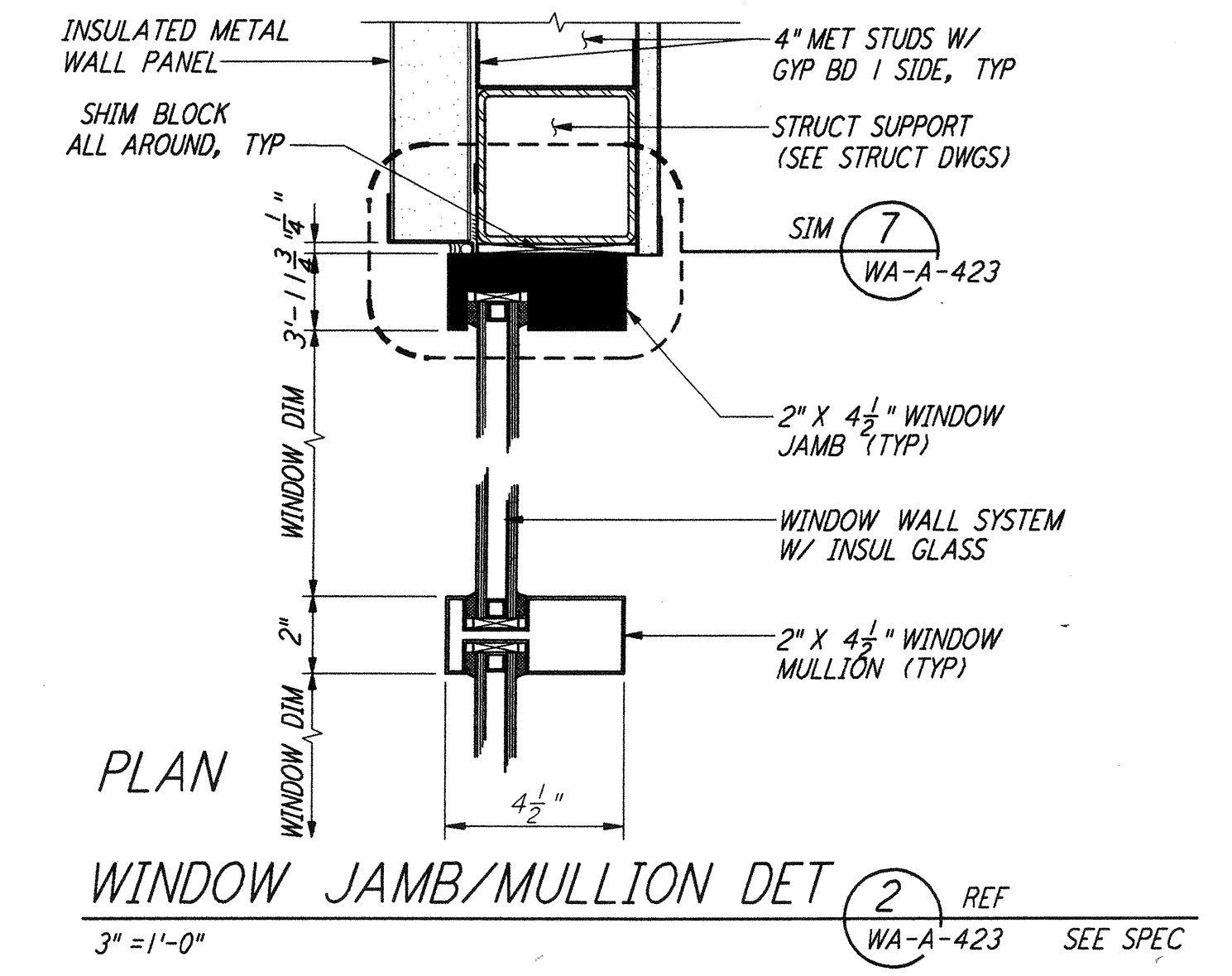
**WINDOW WALL DOOR JAMB** (13) REF  
 3" = 1'-0" WA-A-423 SEE SPEC



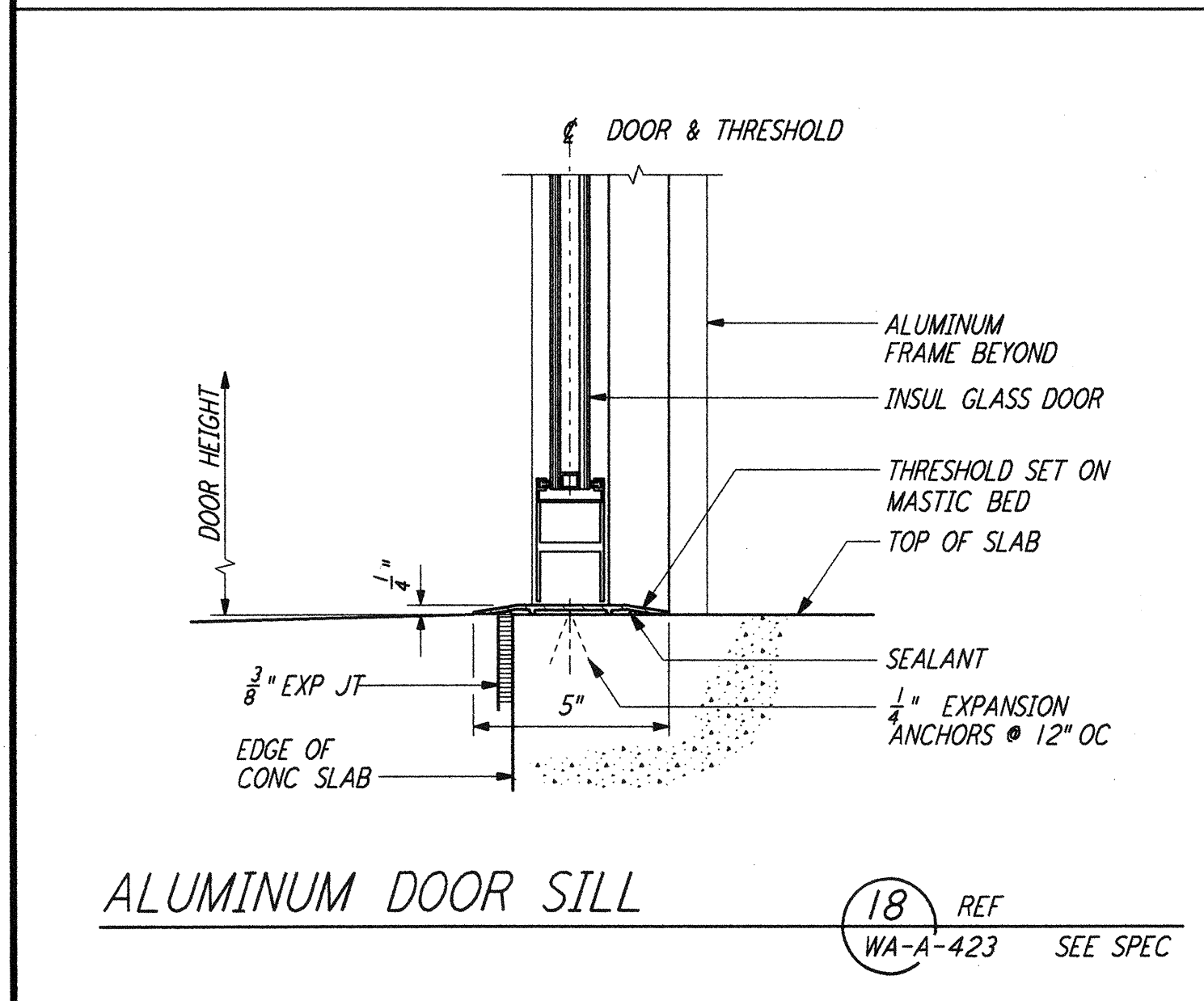
**WINDOW WALL MULLION & METAL WALL PANEL** (9) REF  
 3" = 1'-0" WA-A-423 WA-A-108



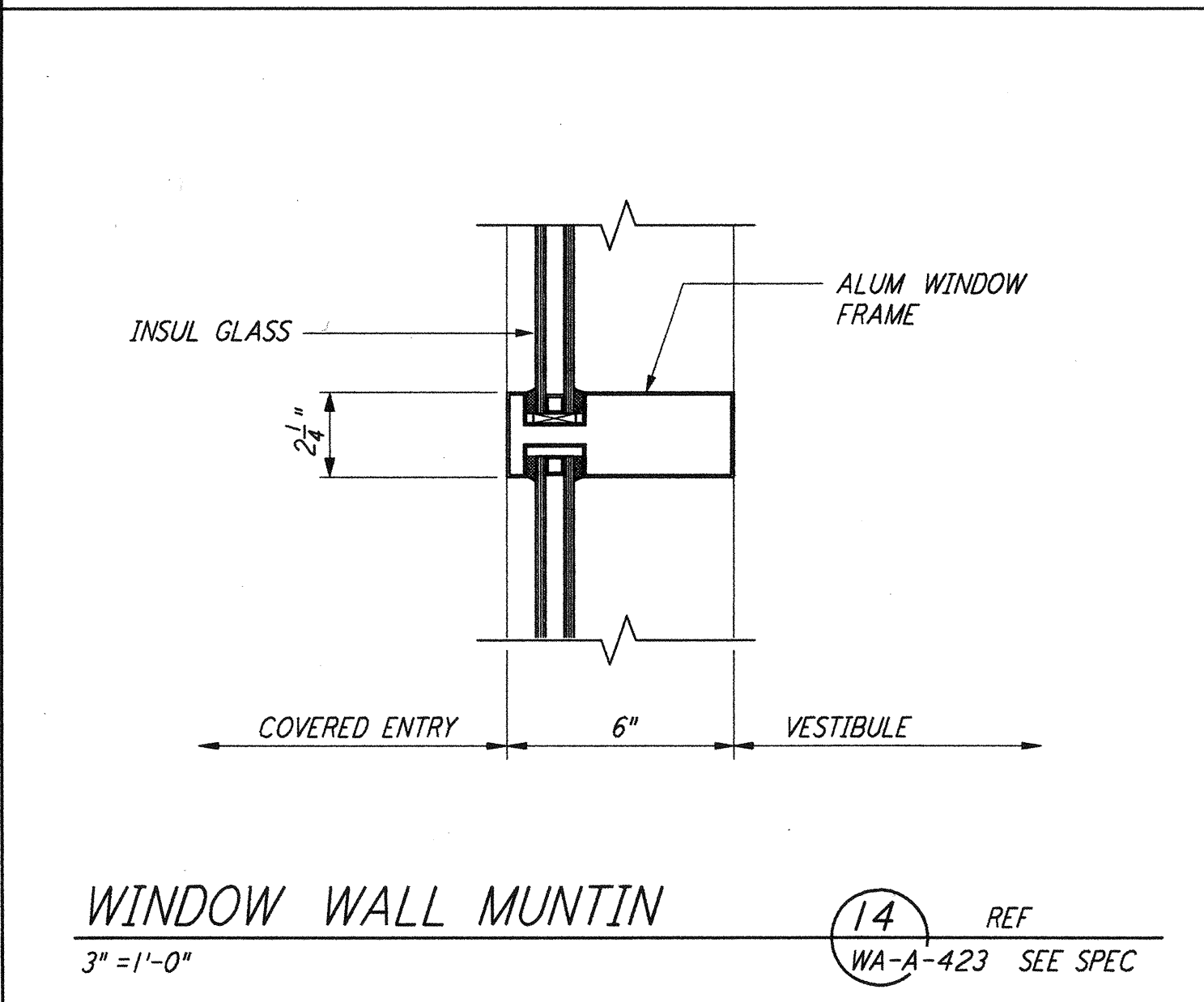
**LOUVER HEAD DETAIL** (5) REF  
 HALF SIZE WA-A-423 WA-A-542



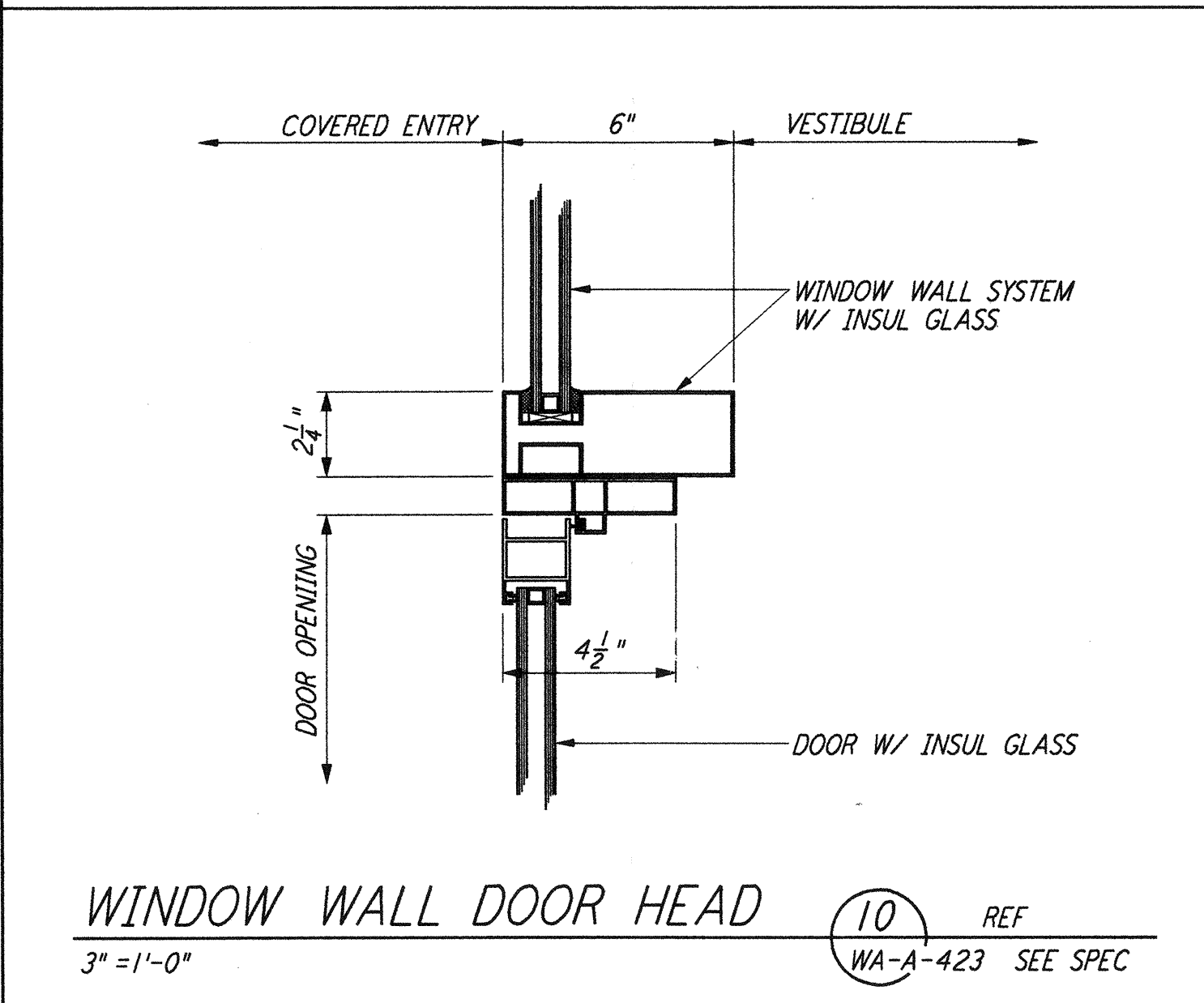
**SECTION WINDOW JAMB/MULLION DET** (2) REF  
 3" = 1'-0" WA-A-423 SEE SPEC



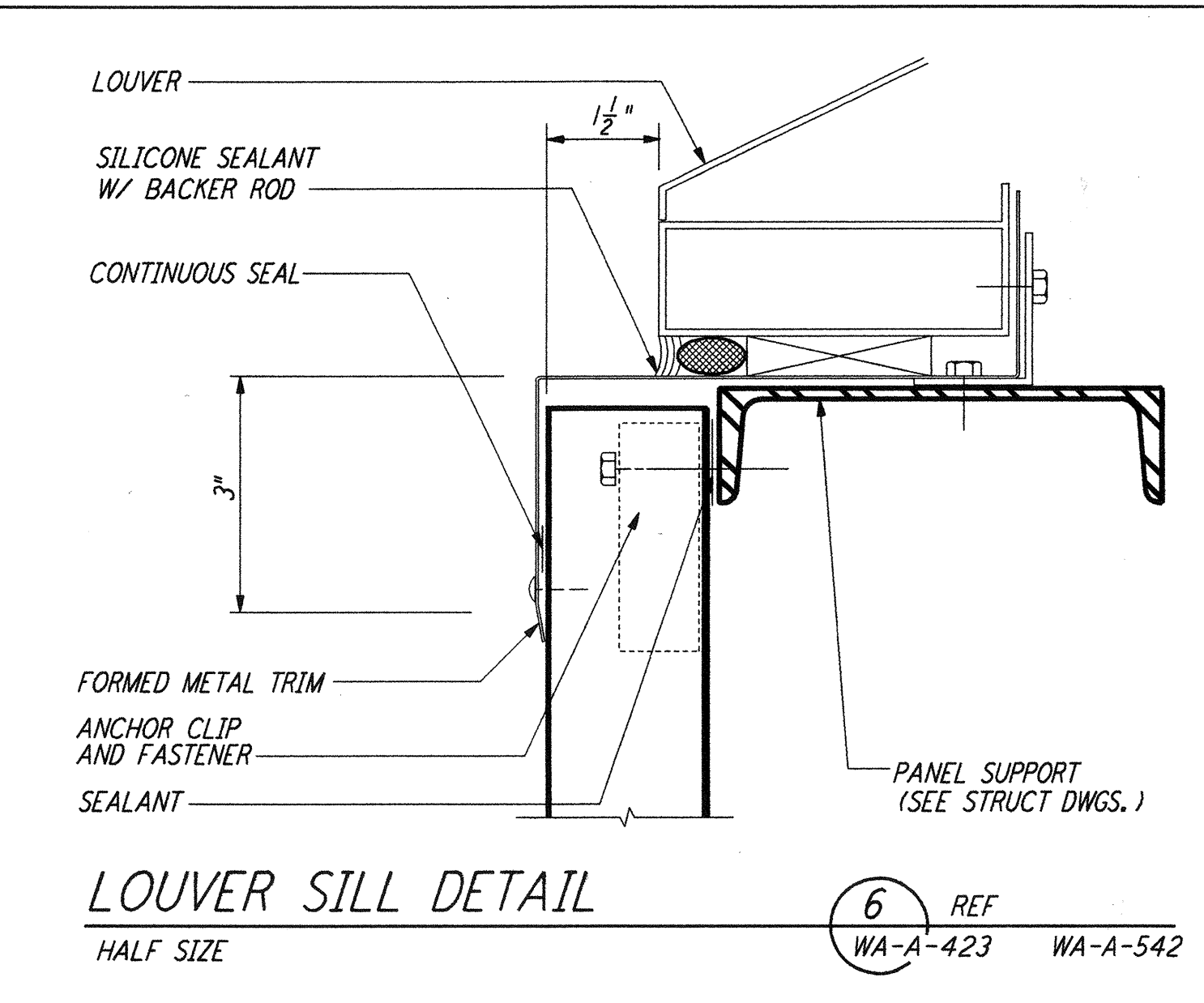
**ALUMINUM DOOR SILL** (18) REF  
 3" = 1'-0" WA-A-423 SEE SPEC



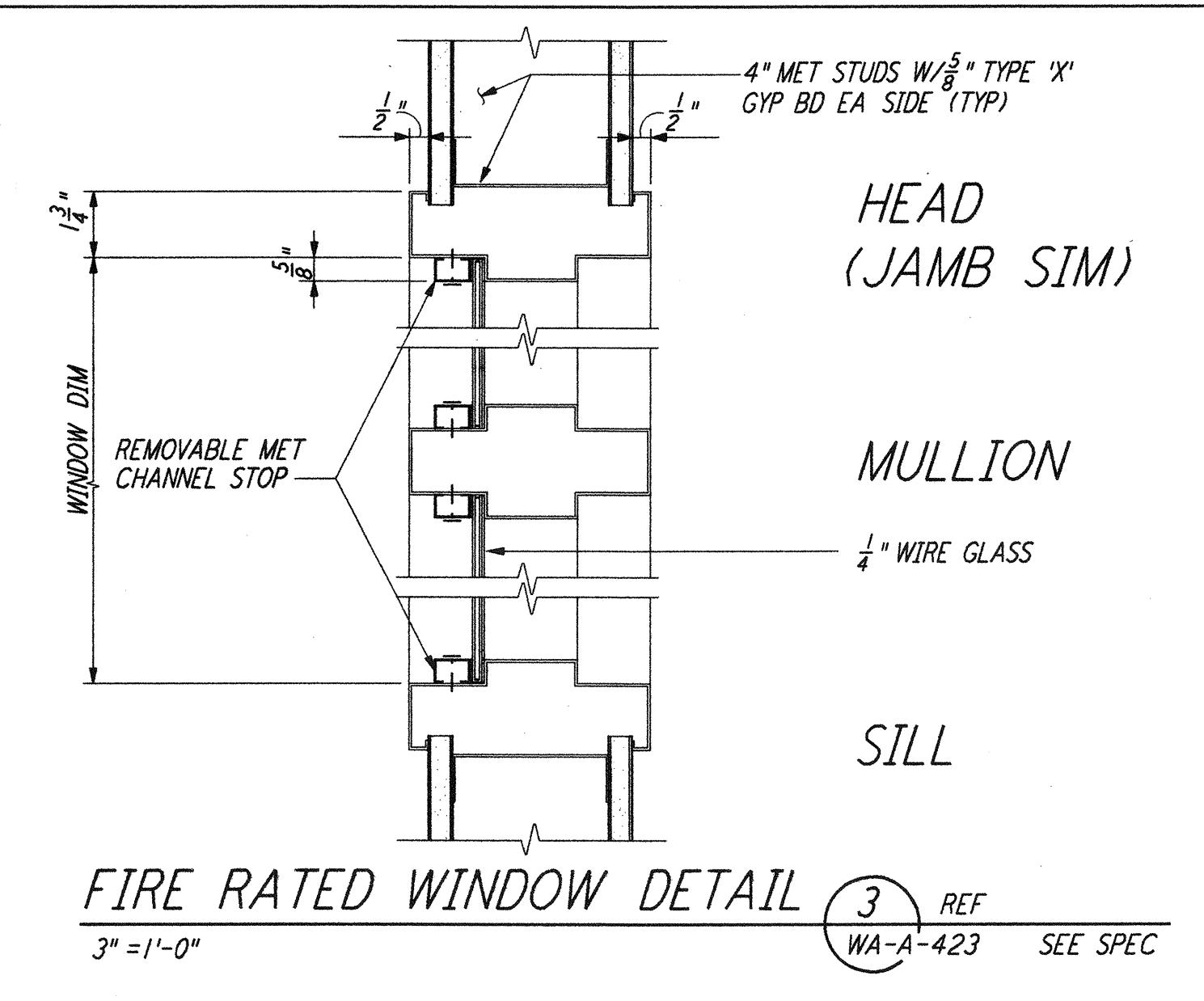
**WINDOW WALL MUNTIN** (14) REF  
 3" = 1'-0" WA-A-423 SEE SPEC



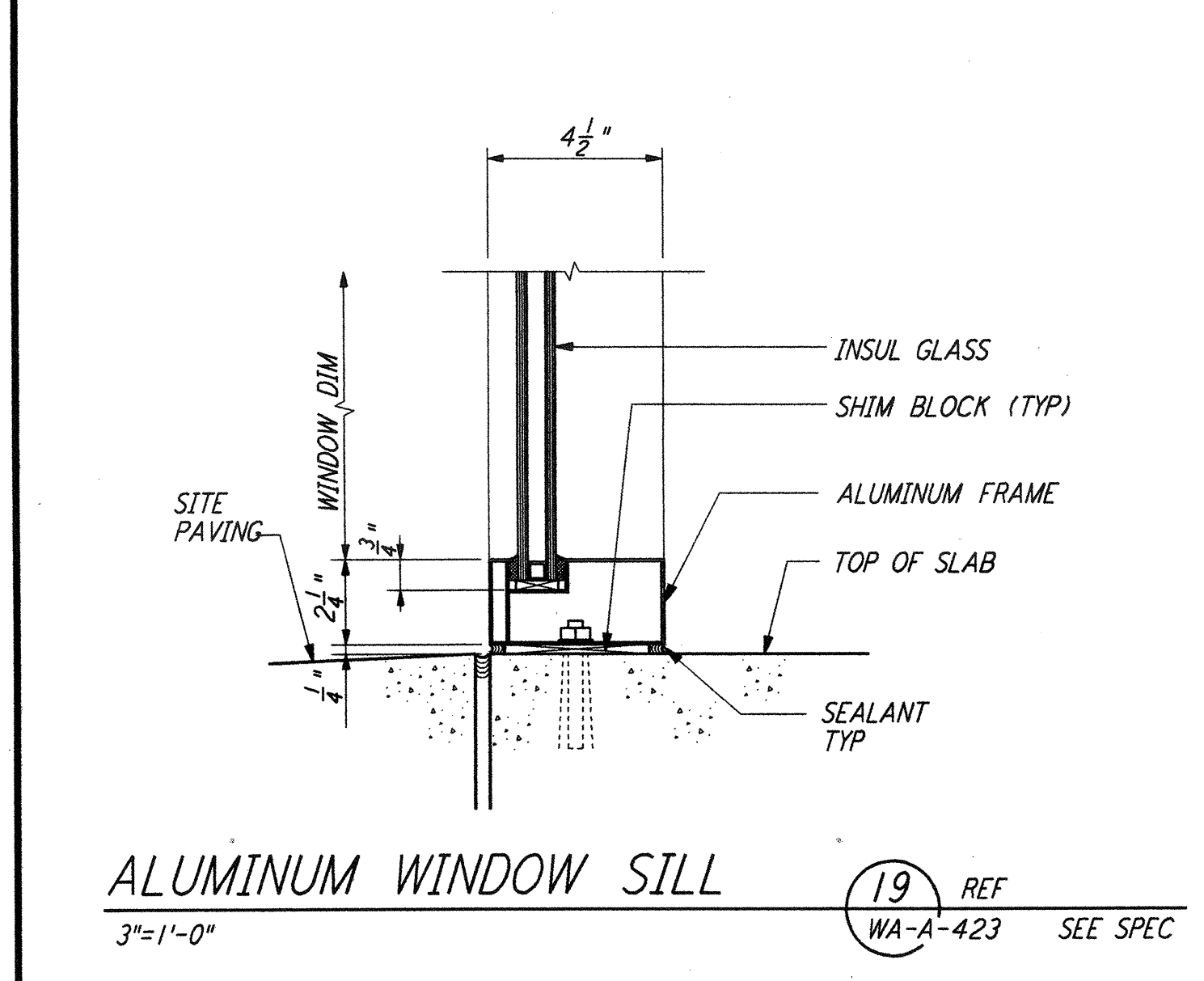
**WINDOW WALL DOOR HEAD** (10) REF  
 3" = 1'-0" WA-A-423 SEE SPEC



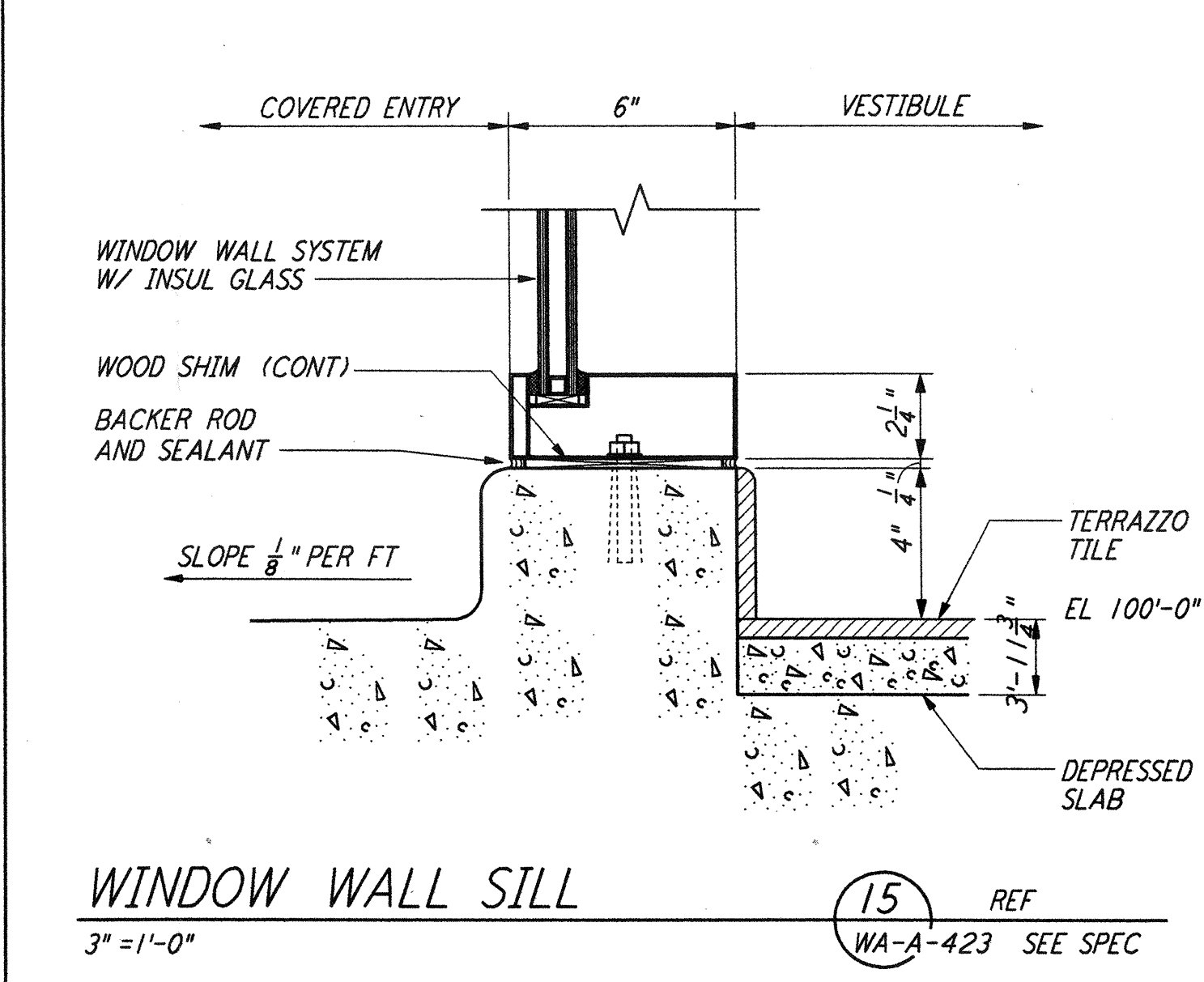
**LOUVER SILL DETAIL** (6) REF  
 HALF SIZE WA-A-423 WA-A-542



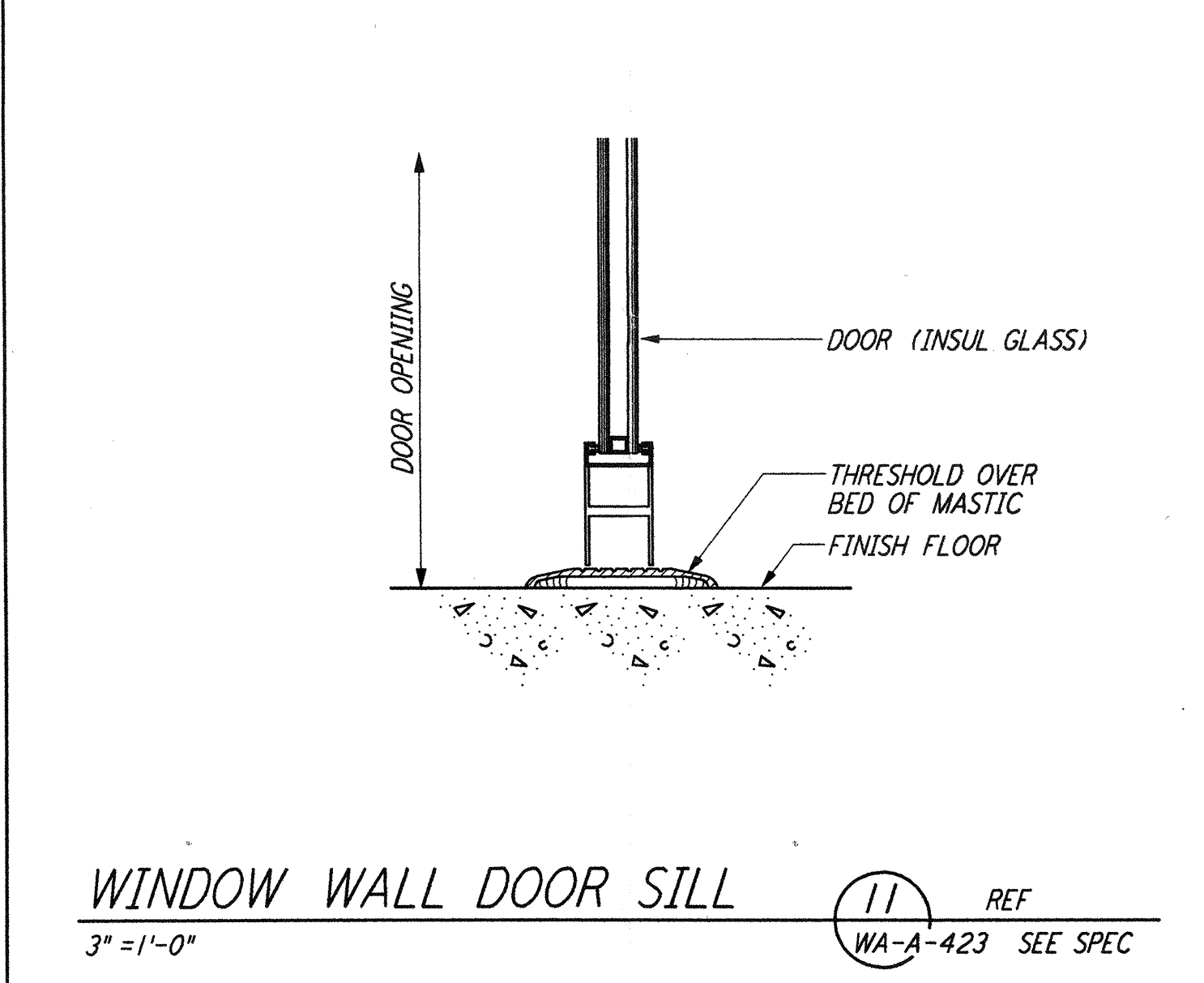
**SECTION FIRE RATED WINDOW DETAIL** (3) REF  
 3" = 1'-0" WA-A-423 SEE SPEC



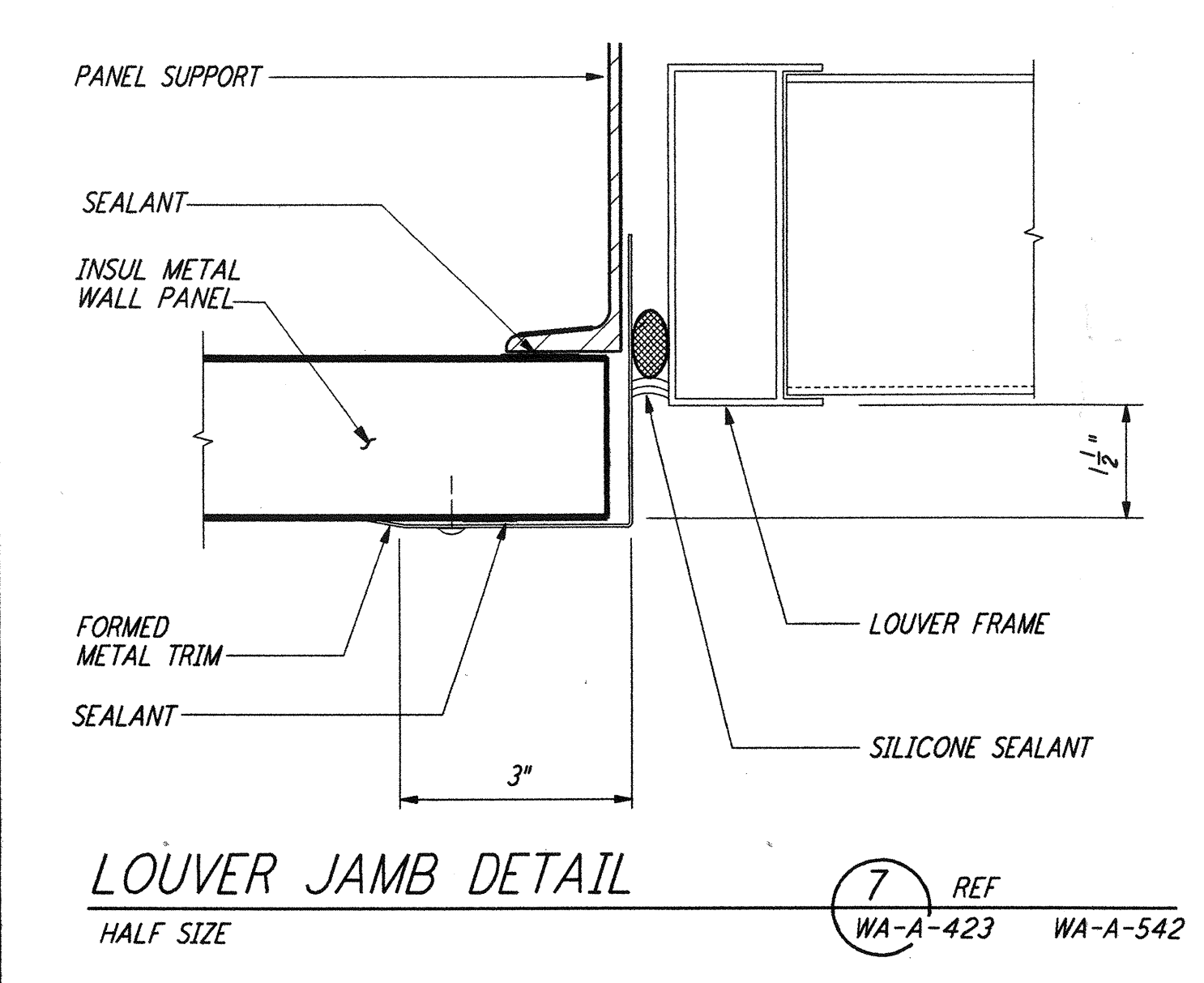
**ALUMINUM WINDOW SILL** (19) REF  
 3" = 1'-0" WA-A-423 SEE SPEC



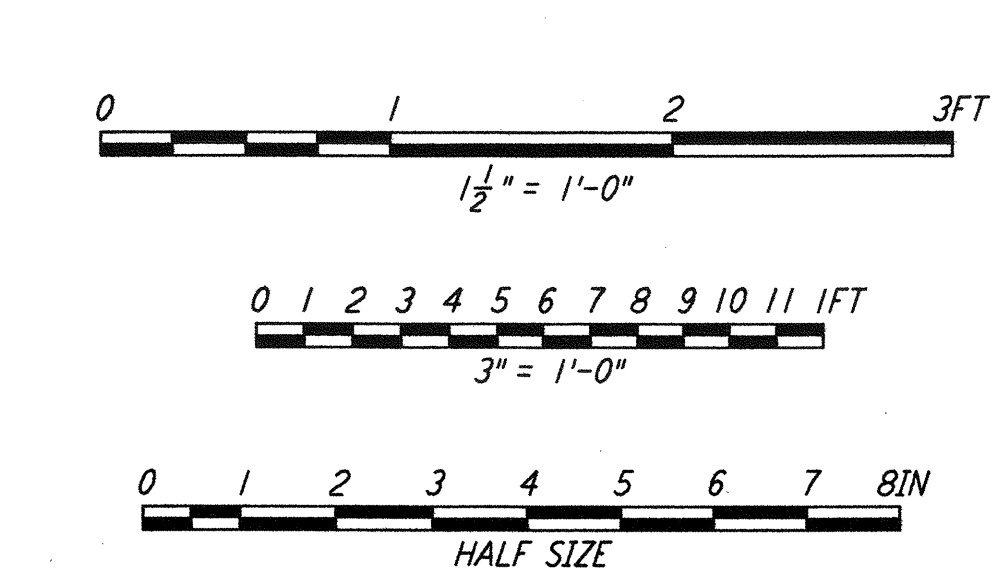
**WINDOW WALL SILL** (15) REF  
 3" = 1'-0" WA-A-423 SEE SPEC



**WINDOW WALL DOOR SILL** (11) REF  
 3" = 1'-0" WA-A-423 SEE SPEC



**LOUVER JAMB DETAIL** (7) REF  
 HALF SIZE WA-A-423 WA-A-542



NO.	DATE	BY	CHKD	ENGR	PROJ	DESCRIPTION
1	5-15-98	CKT	AKL	KJM	MDW	ISSUED FOR AS-BUILT

NO.	DATE	BY	CHKD	ENGR	PROJ	DESCRIPTION
1	5-15-98	CKT	AKL	KJM	MDW	ISSUED FOR AS-BUILT

NO.	DATE	BY	CHKD	ENGR	PROJ	DESCRIPTION
1	5-15-98	CKT	AKL	KJM	MDW	ISSUED FOR AS-BUILT

**PARSONS**  
 100 WEST WALNUT STREET  
 PASADENA, CALIFORNIA

**LIGO**  
 CALIFORNIA INSTITUTE OF TECHNOLOGY  
 MASSACHUSETTS INSTITUTE OF TECHNOLOGY

**LIGO-D960267-01-0**  
 LASER INTERFEROMETER  
 GRAVITATIONAL-WAVE OBSERVATORY  
 SITE NO. 1 - HANFORD, WASHINGTON

SCALE	CONTRACT NUMBER	PROJECT NUMBER
AS NOTED	PP150969	8094
SHEET NUMBER	REVISIONS	
<b>WA-A-423</b>	▲	

Thu Jun 04 17:08:21 1998 C:\PLOT\KUE\S3-V9802.DWG 52085 41.V3802A-423.plt LIGOWAF.BDR