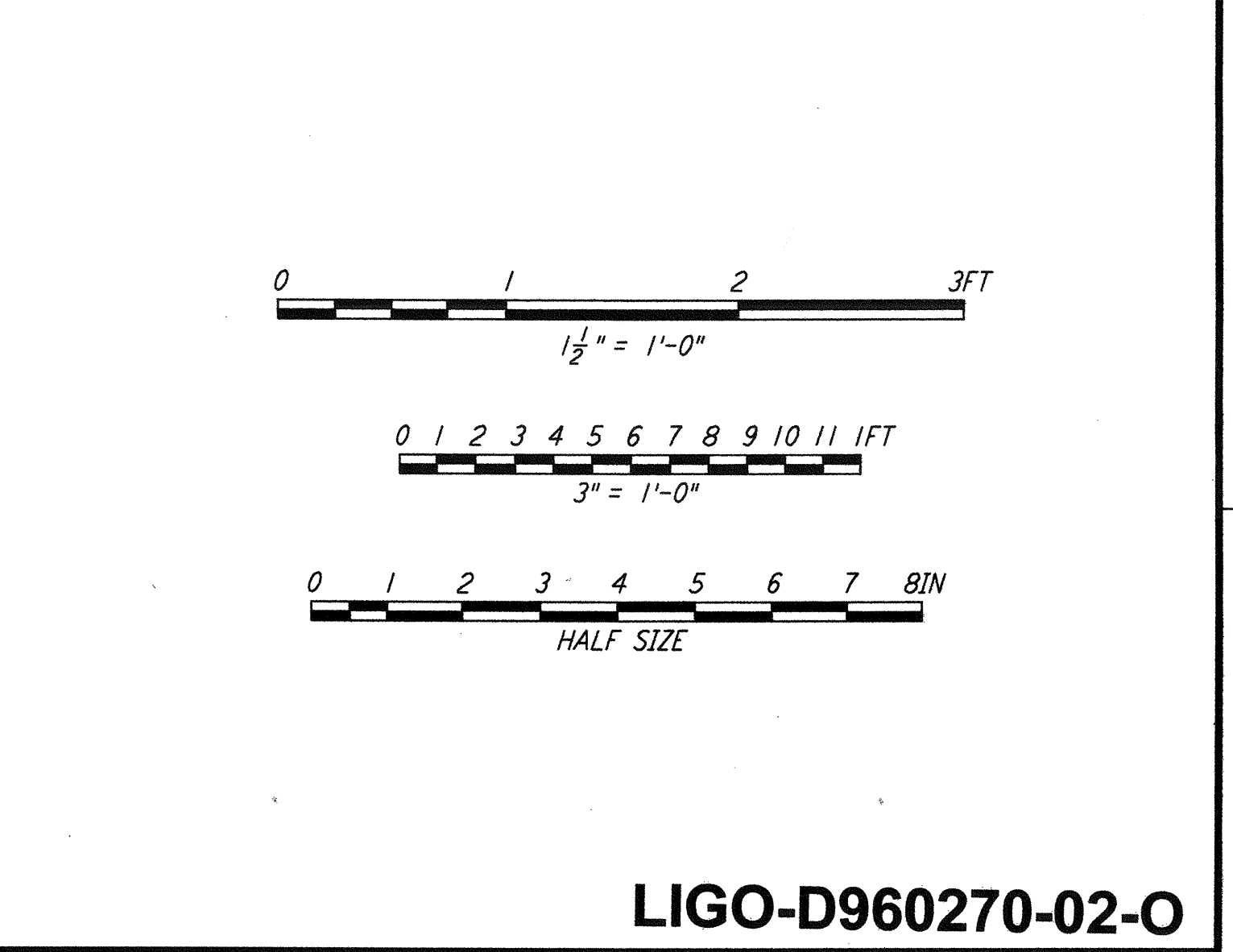
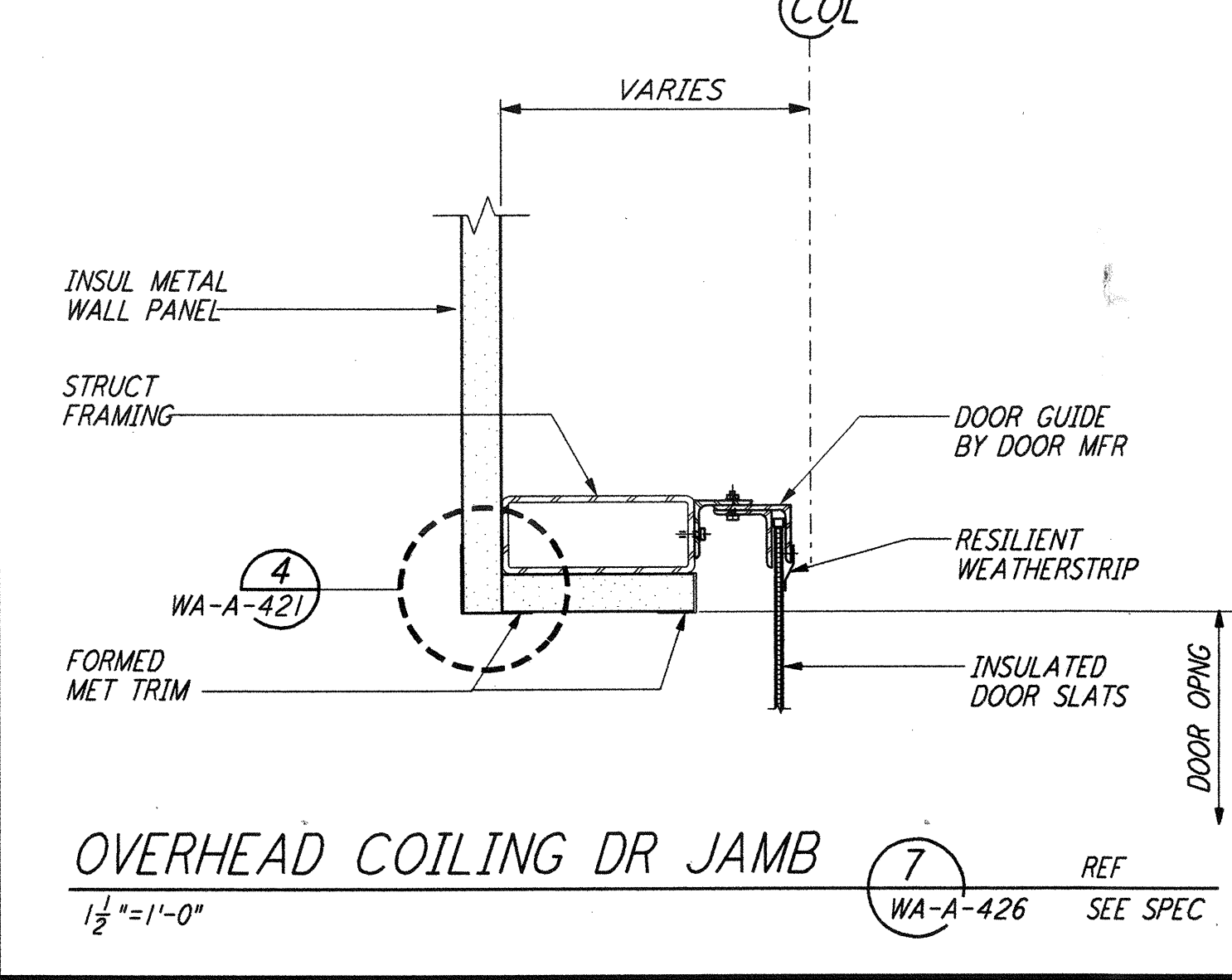
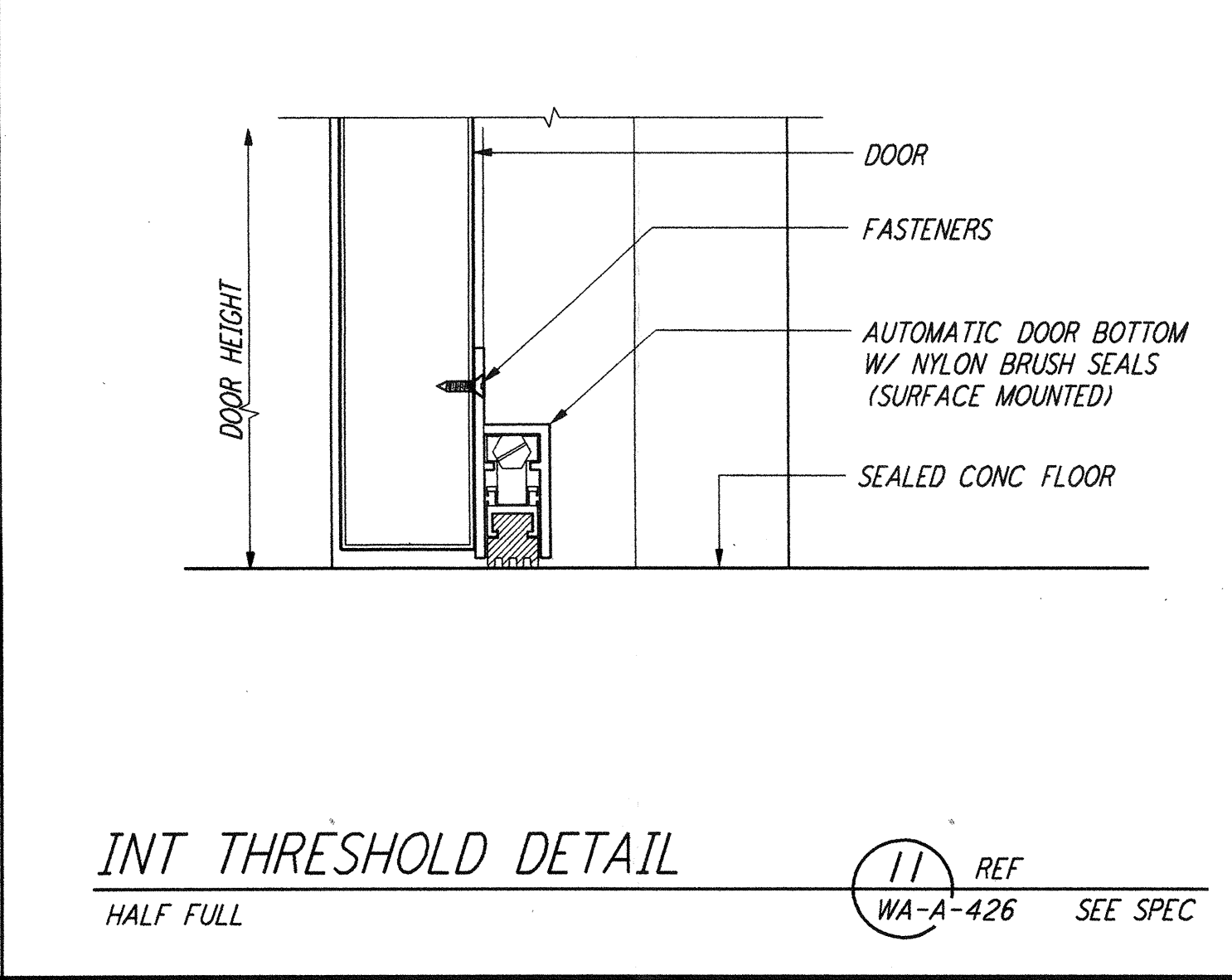
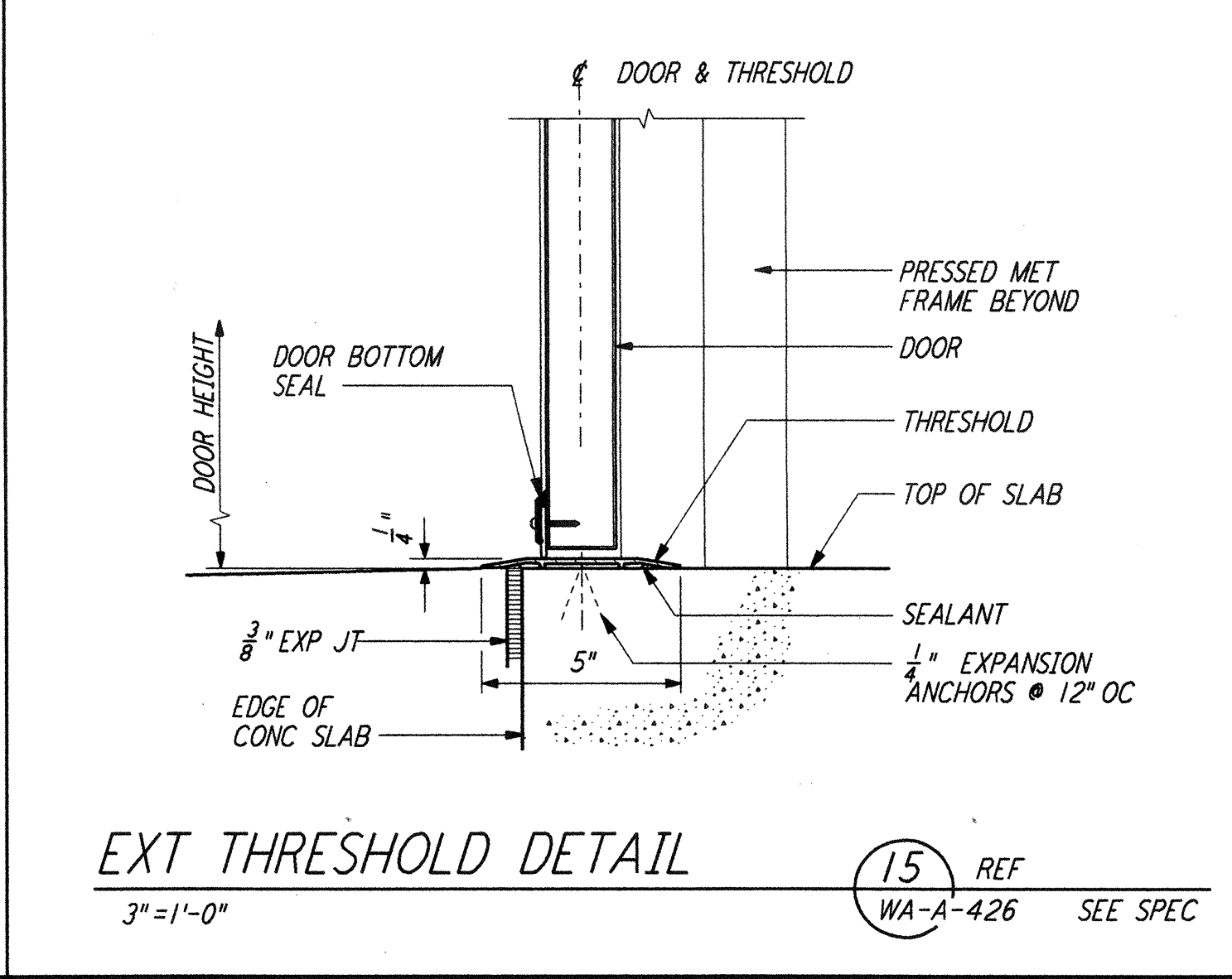
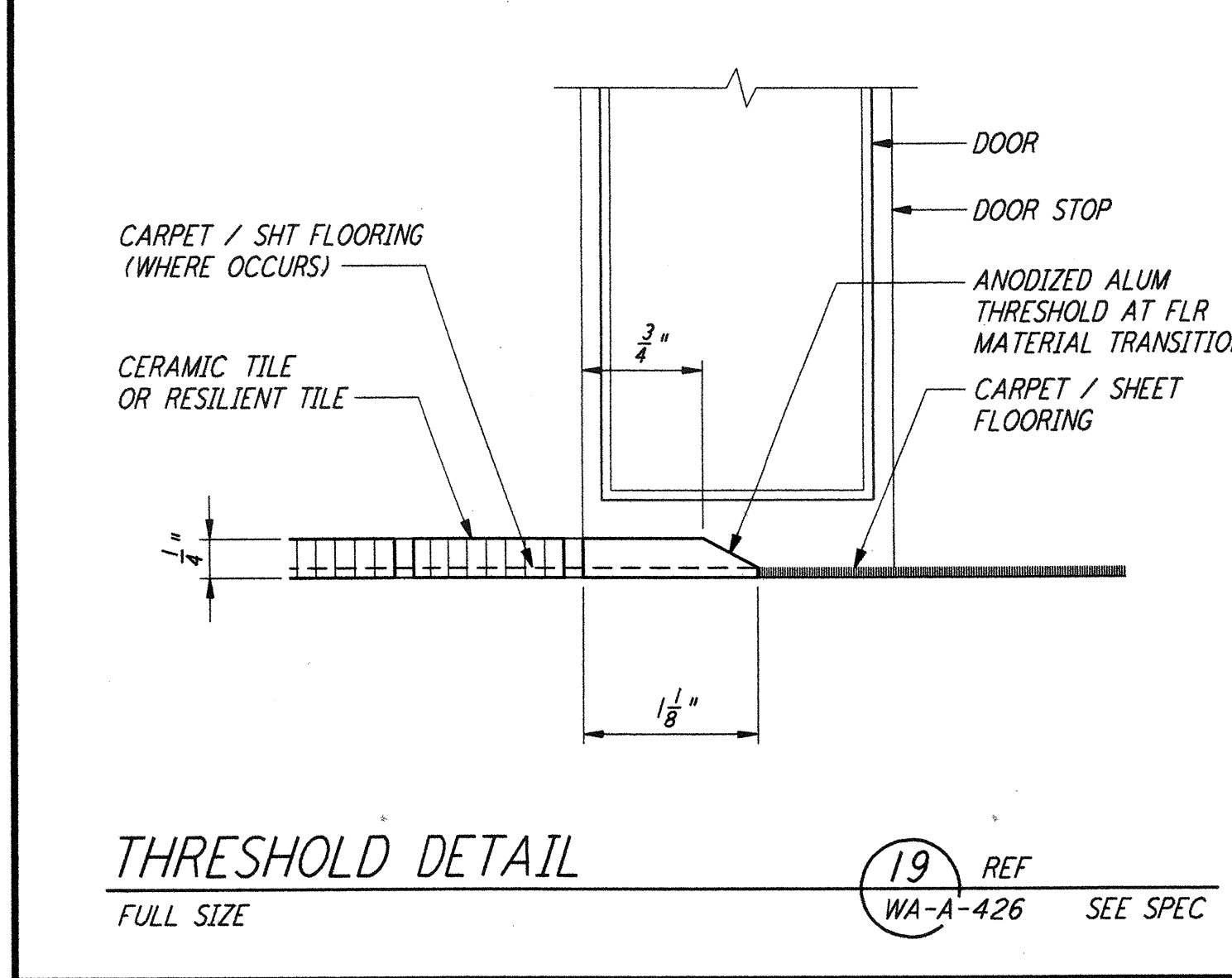
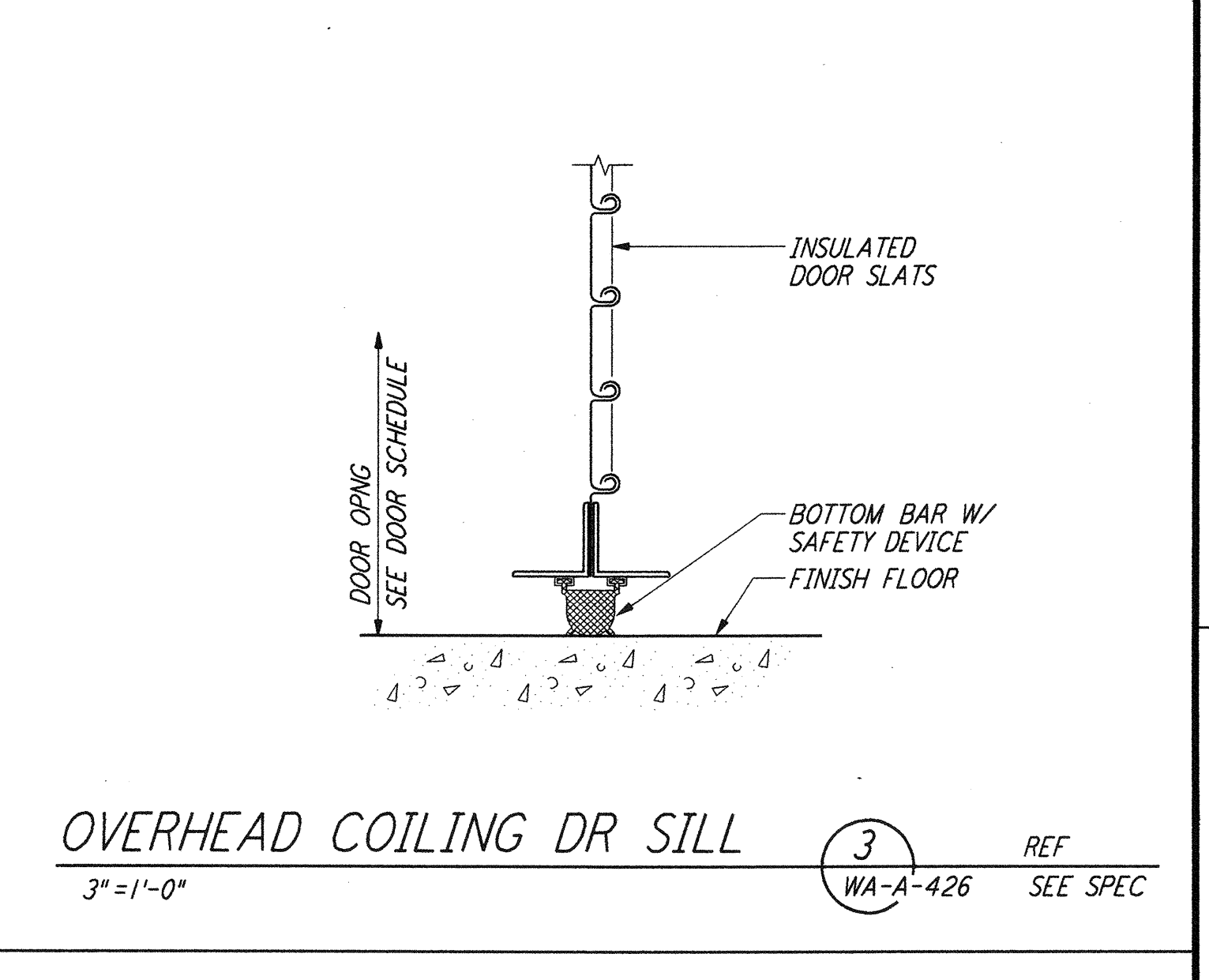
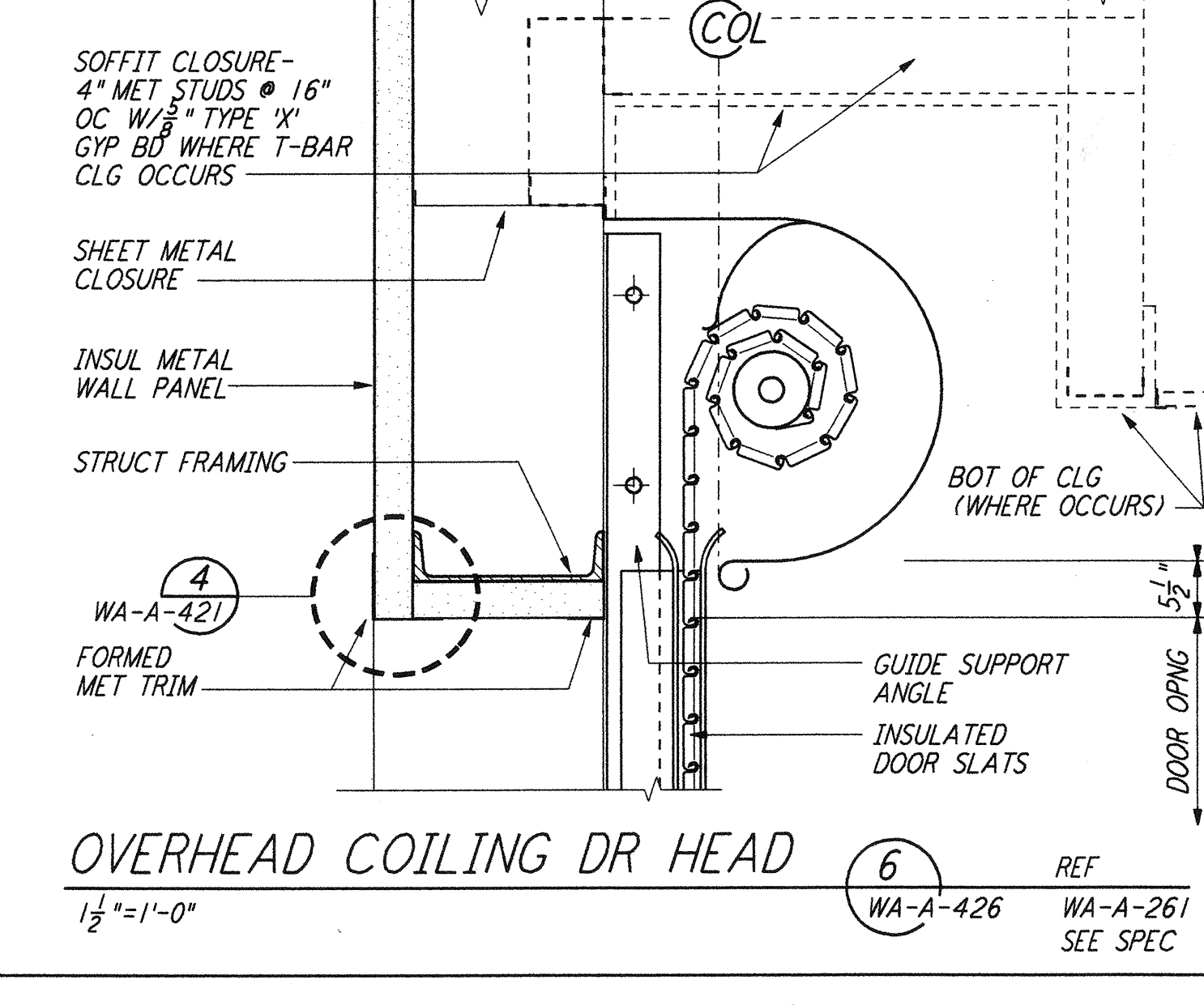
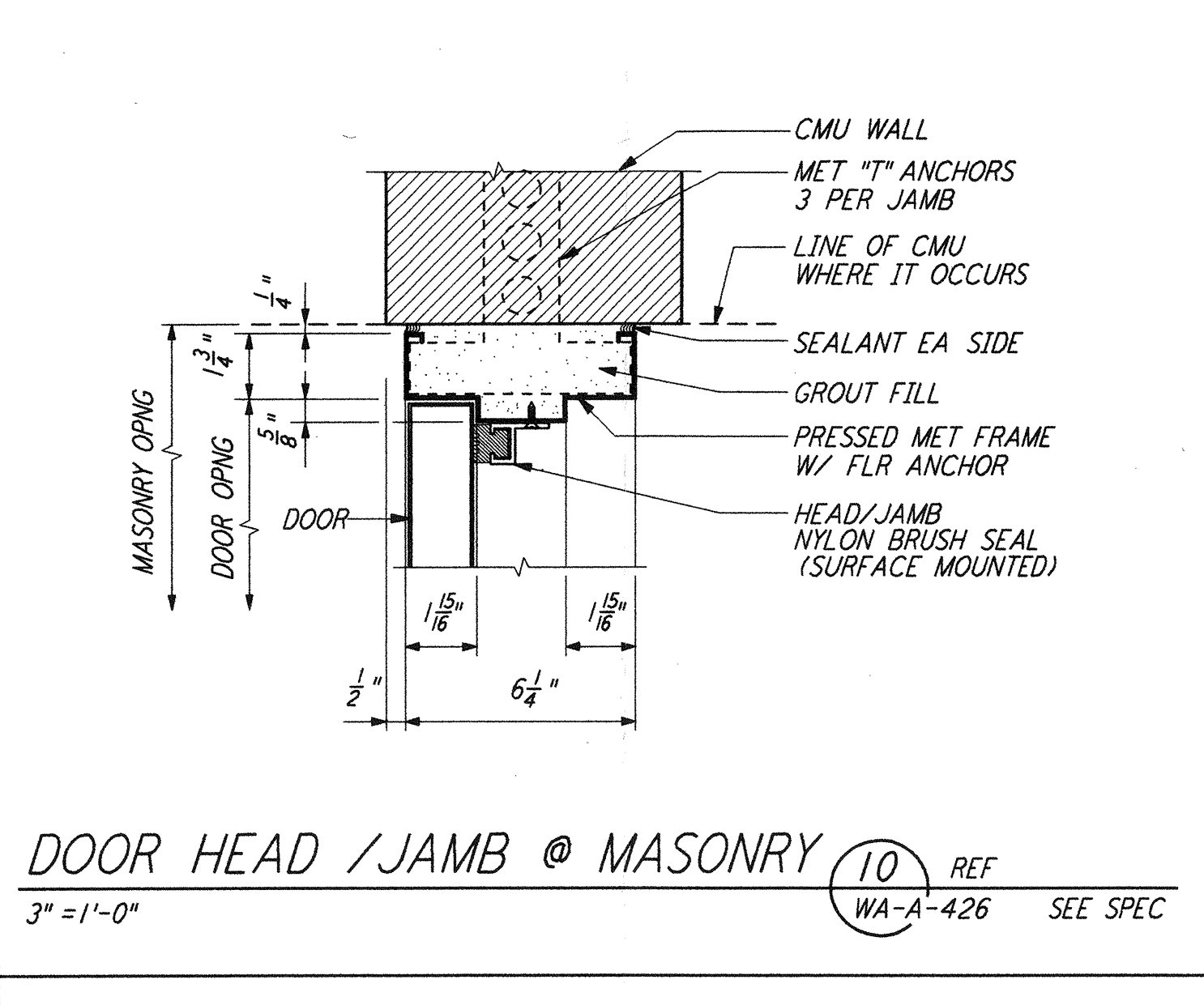
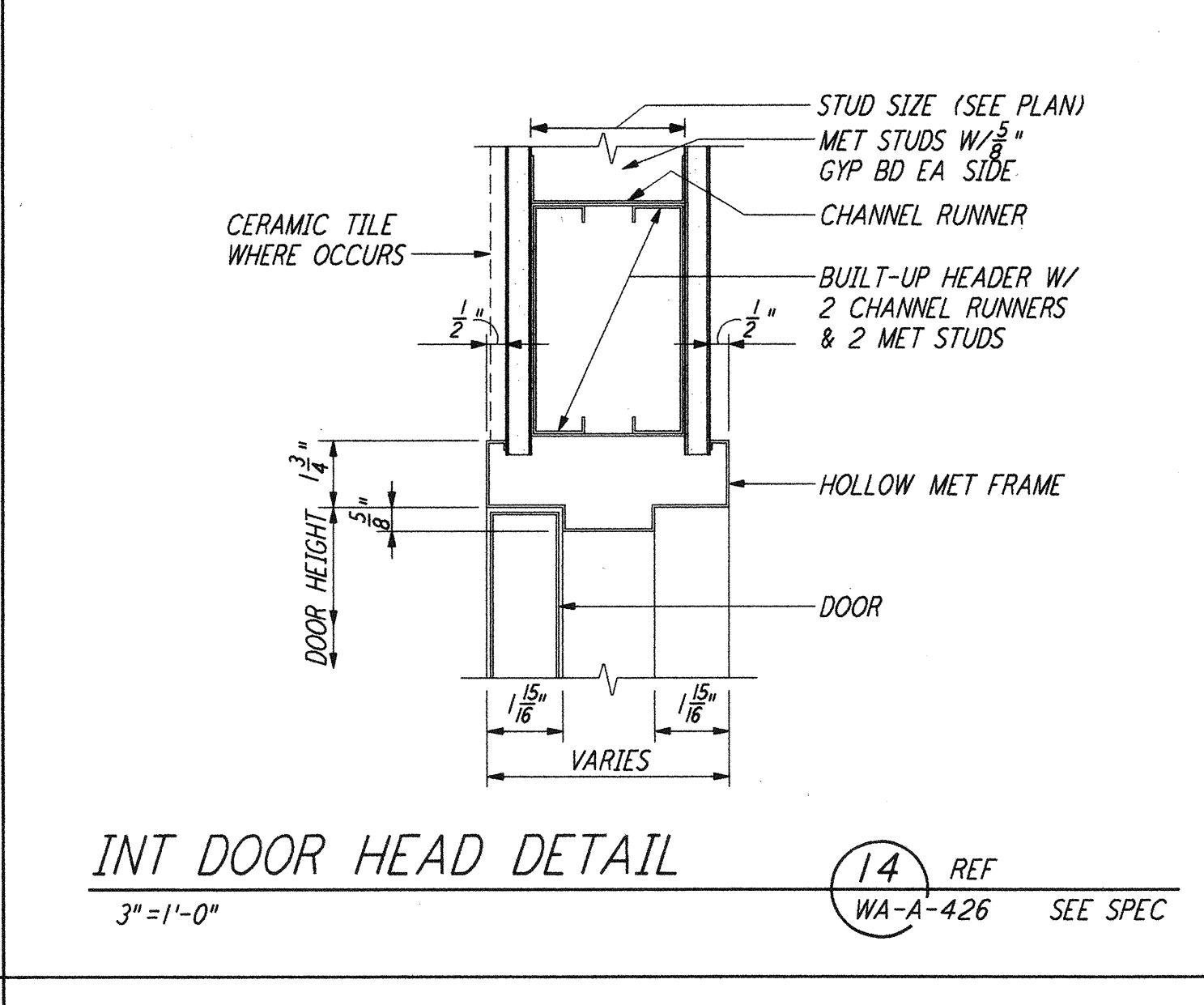
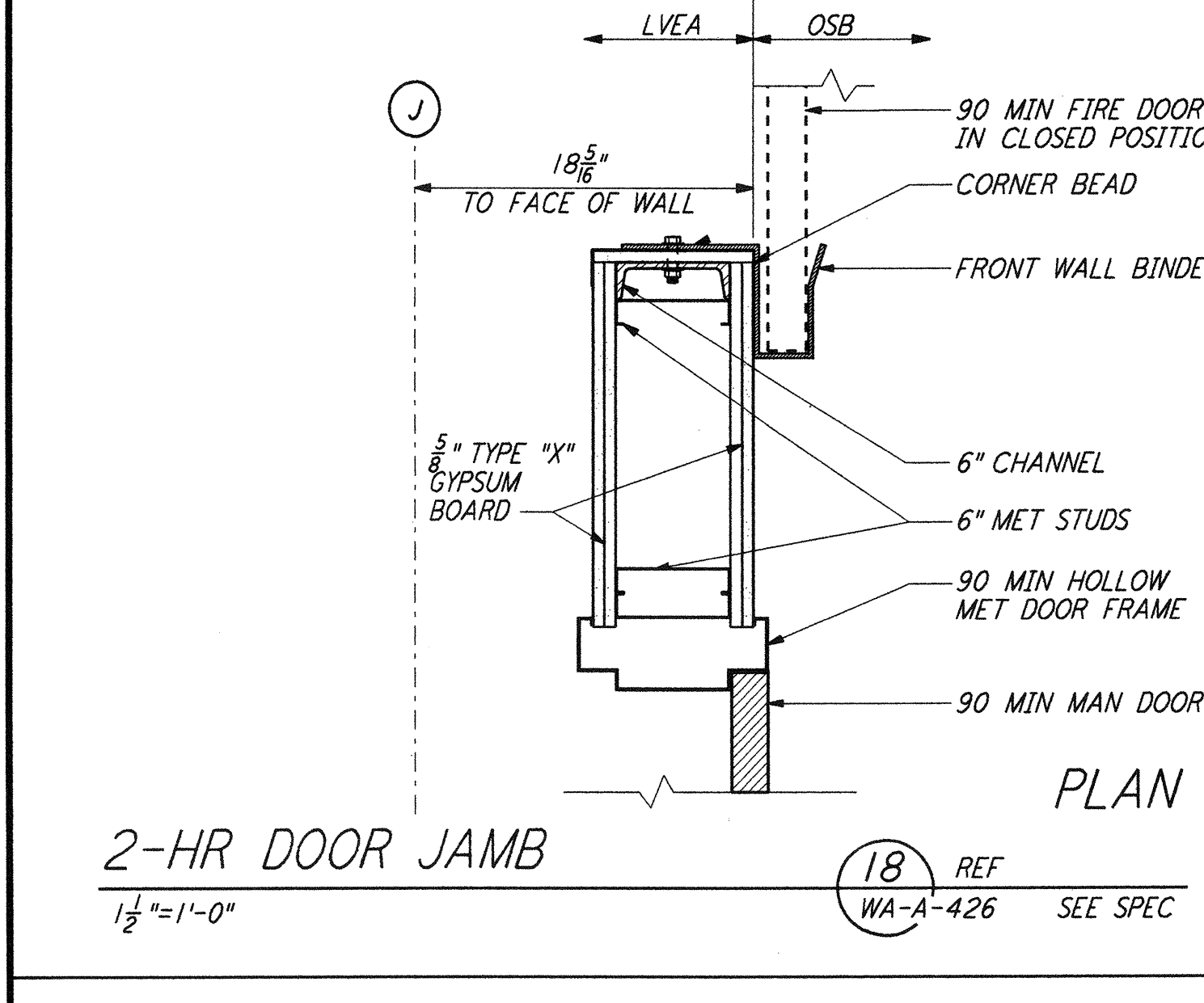
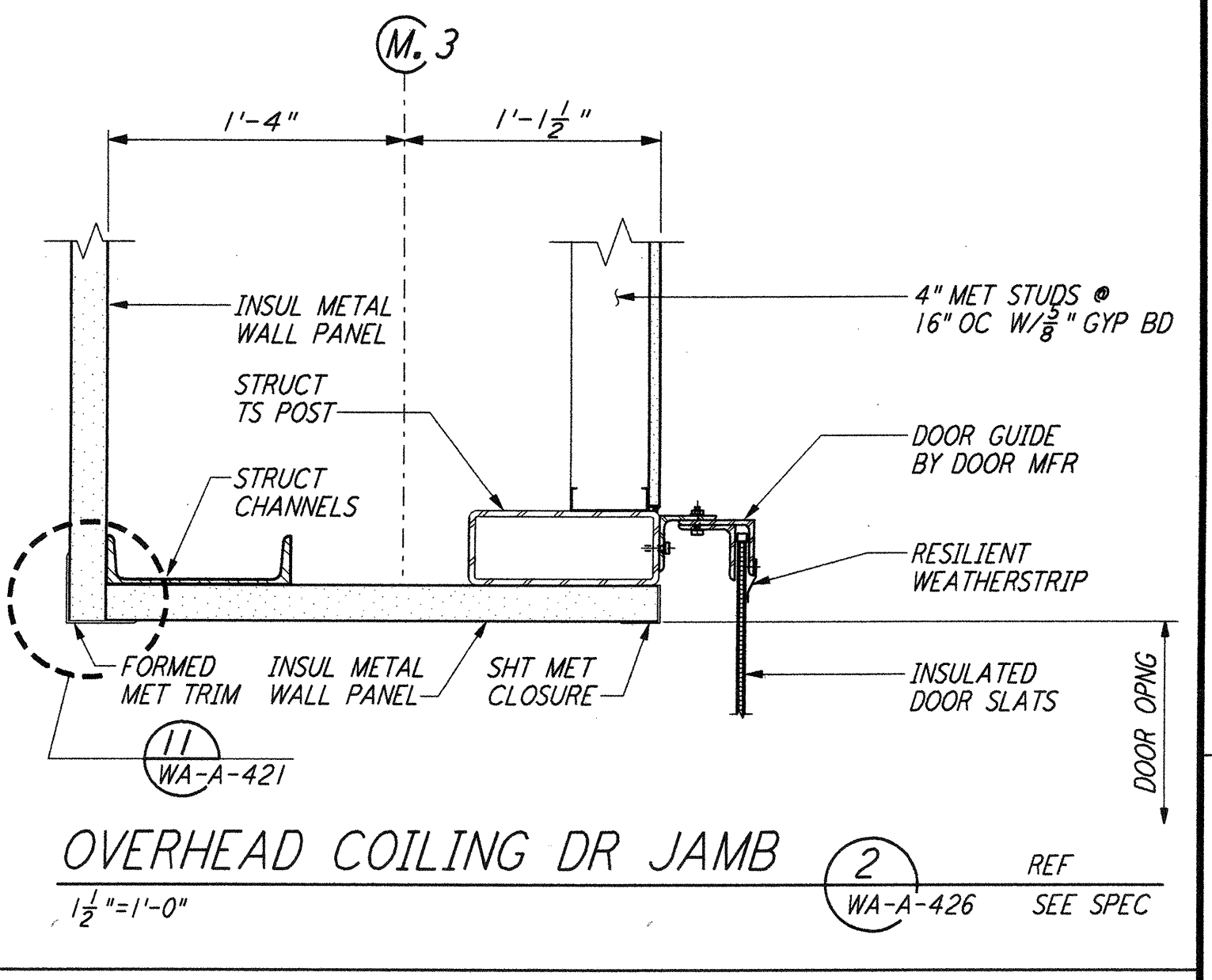
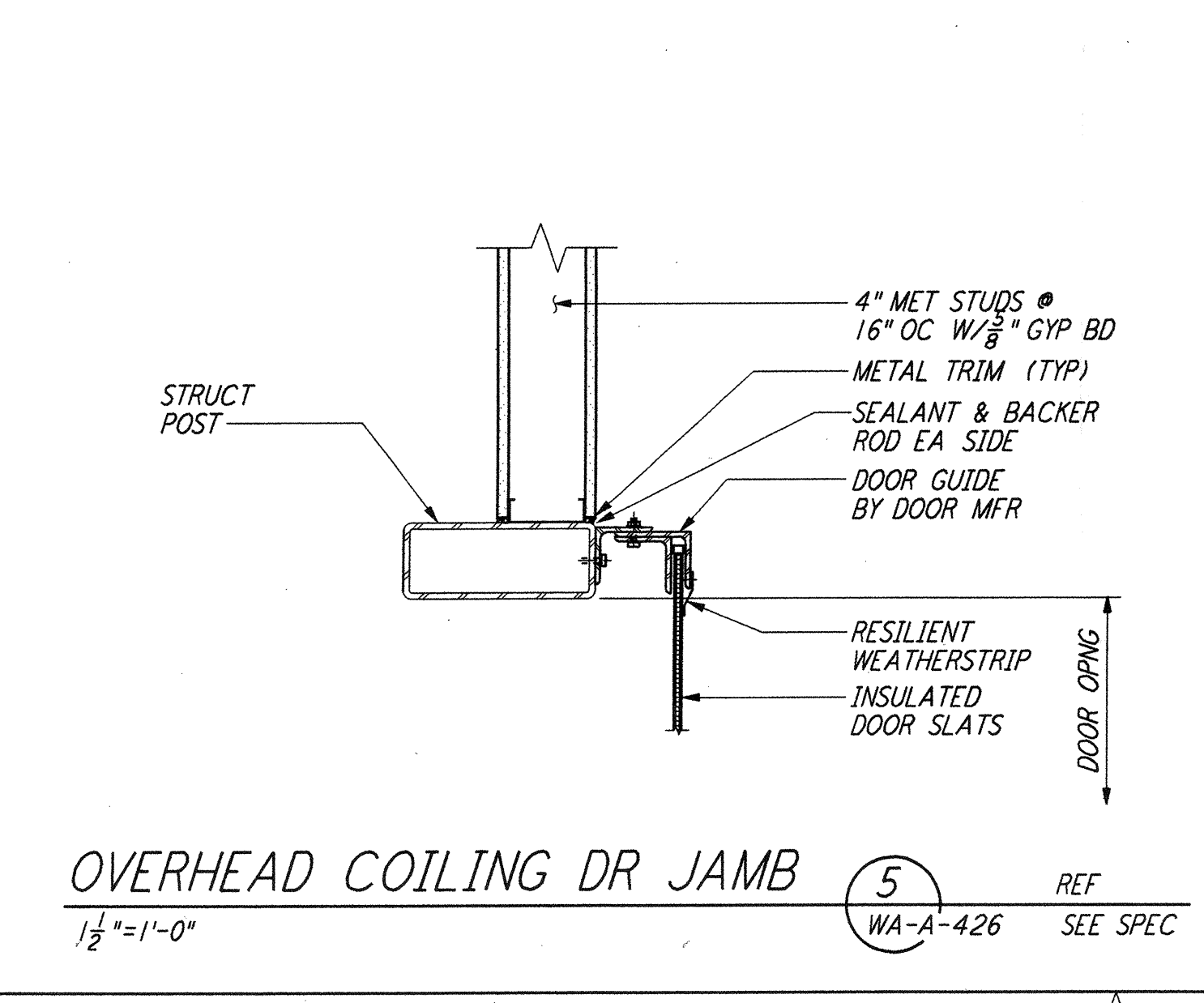
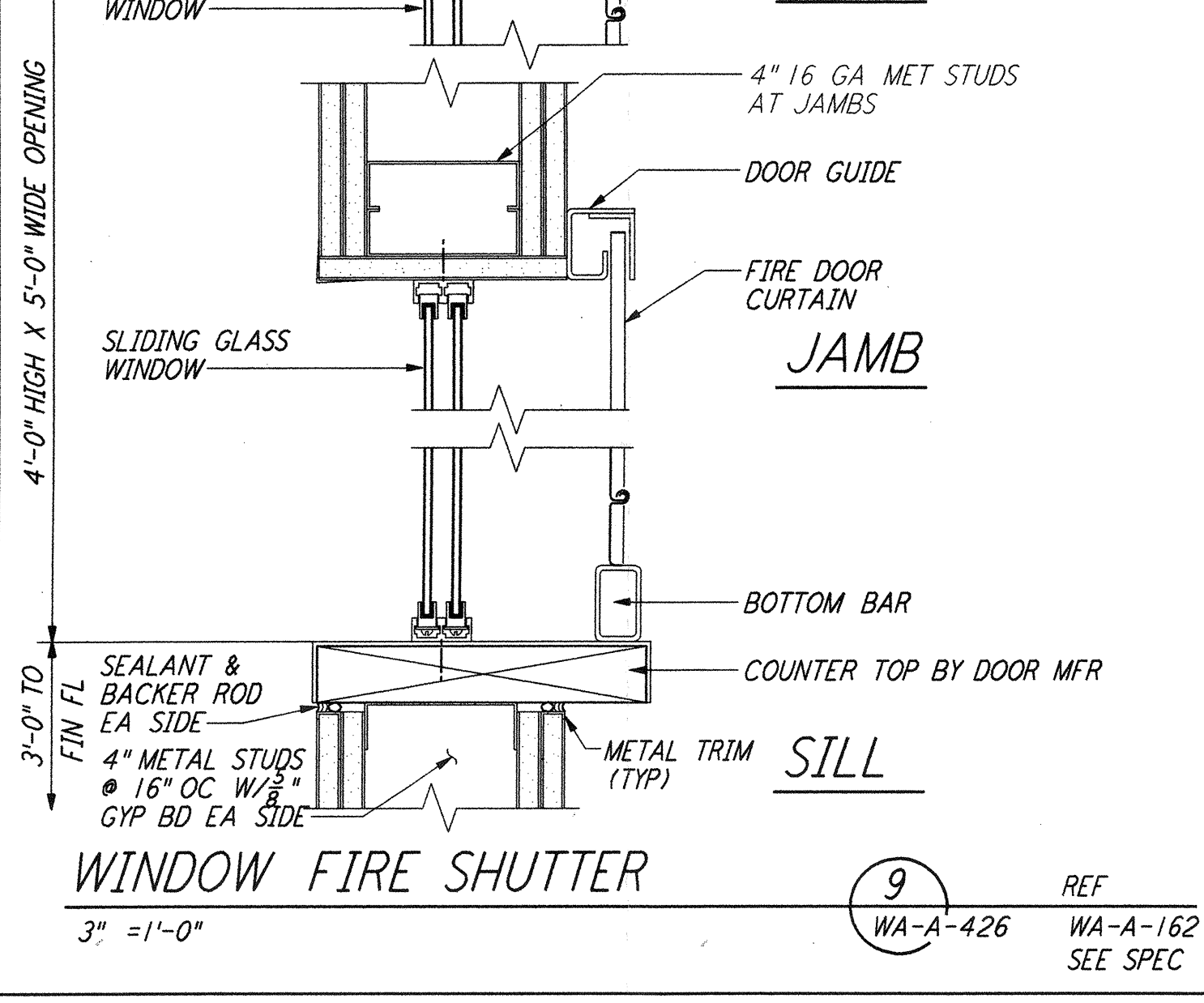
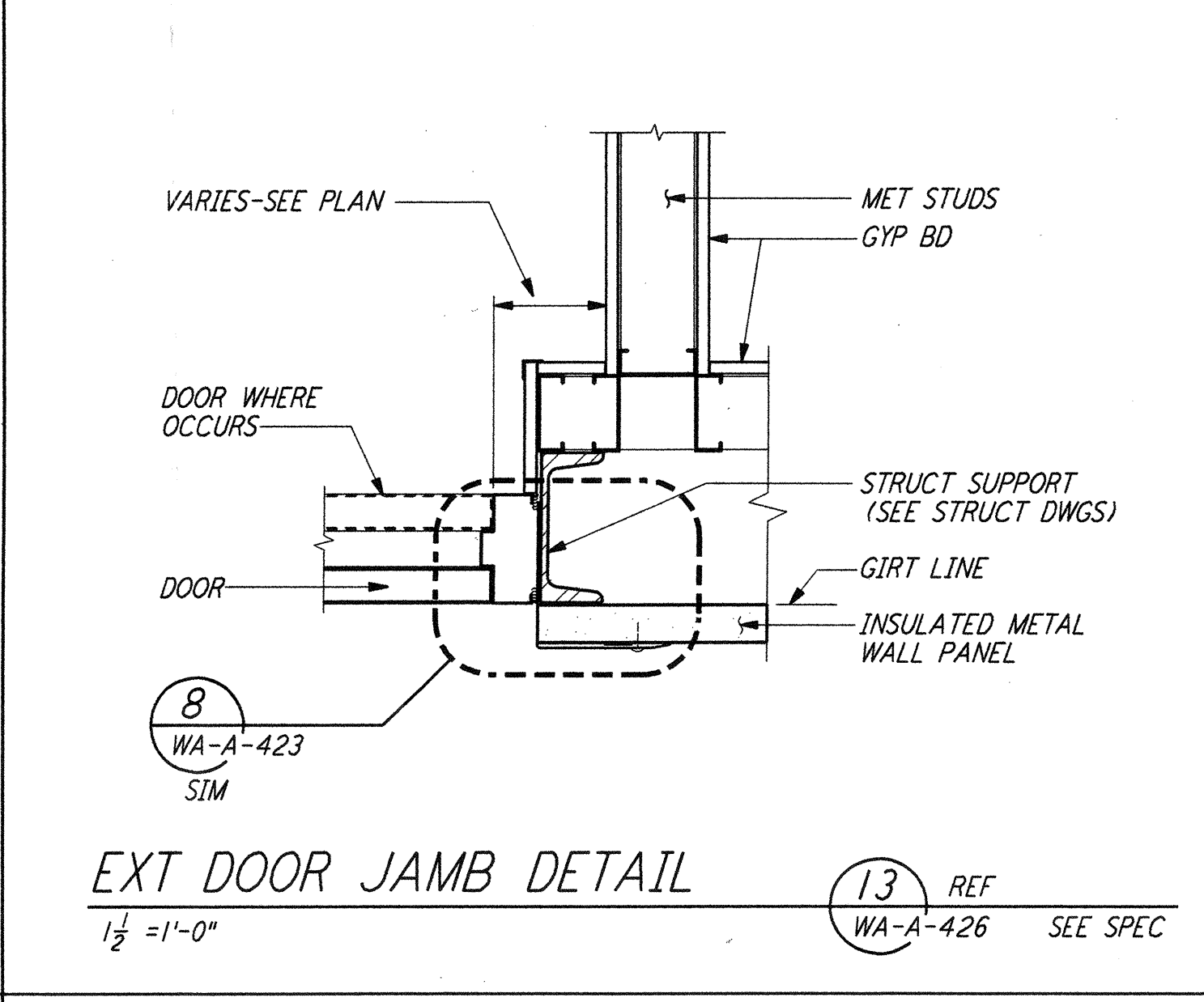
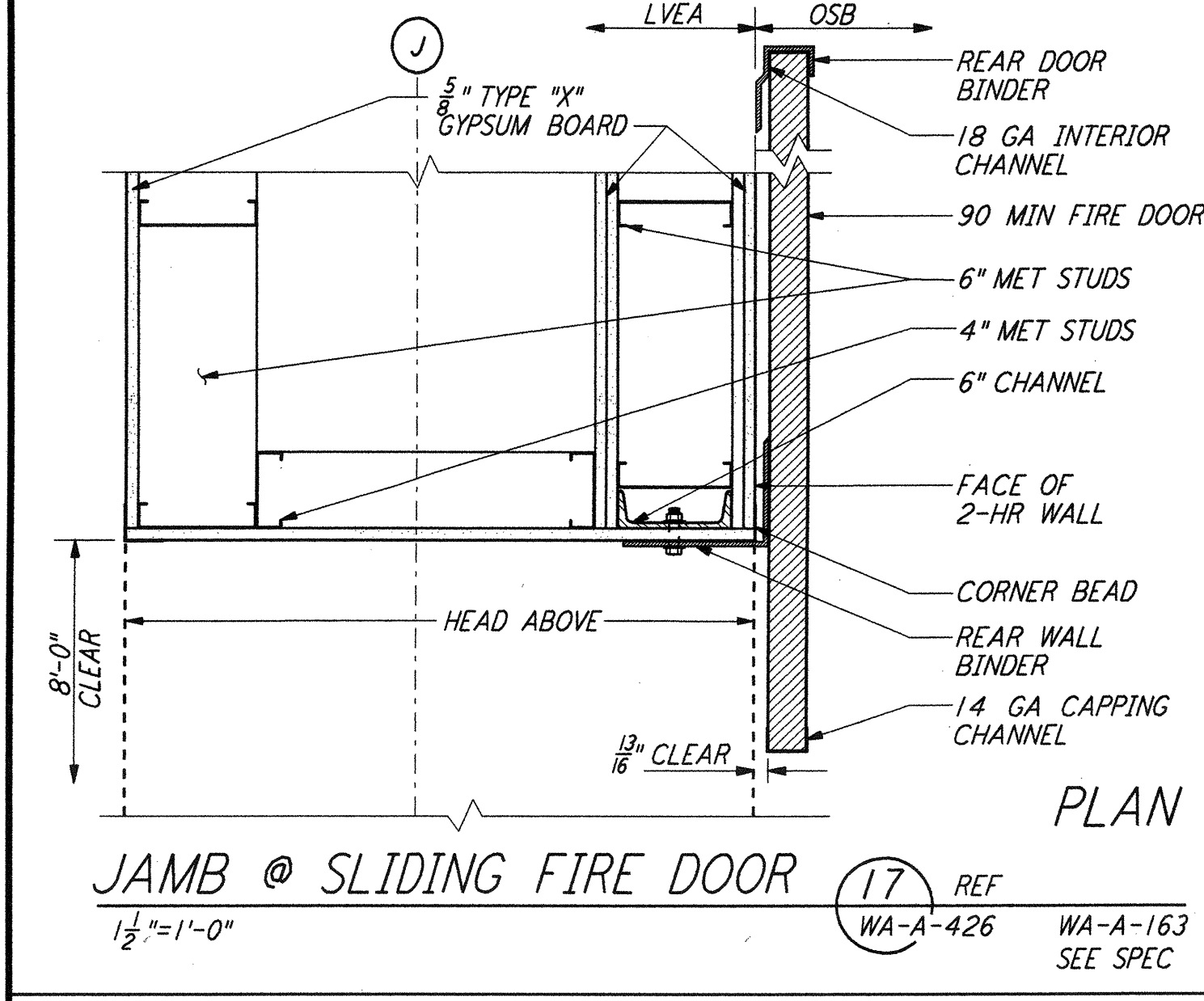
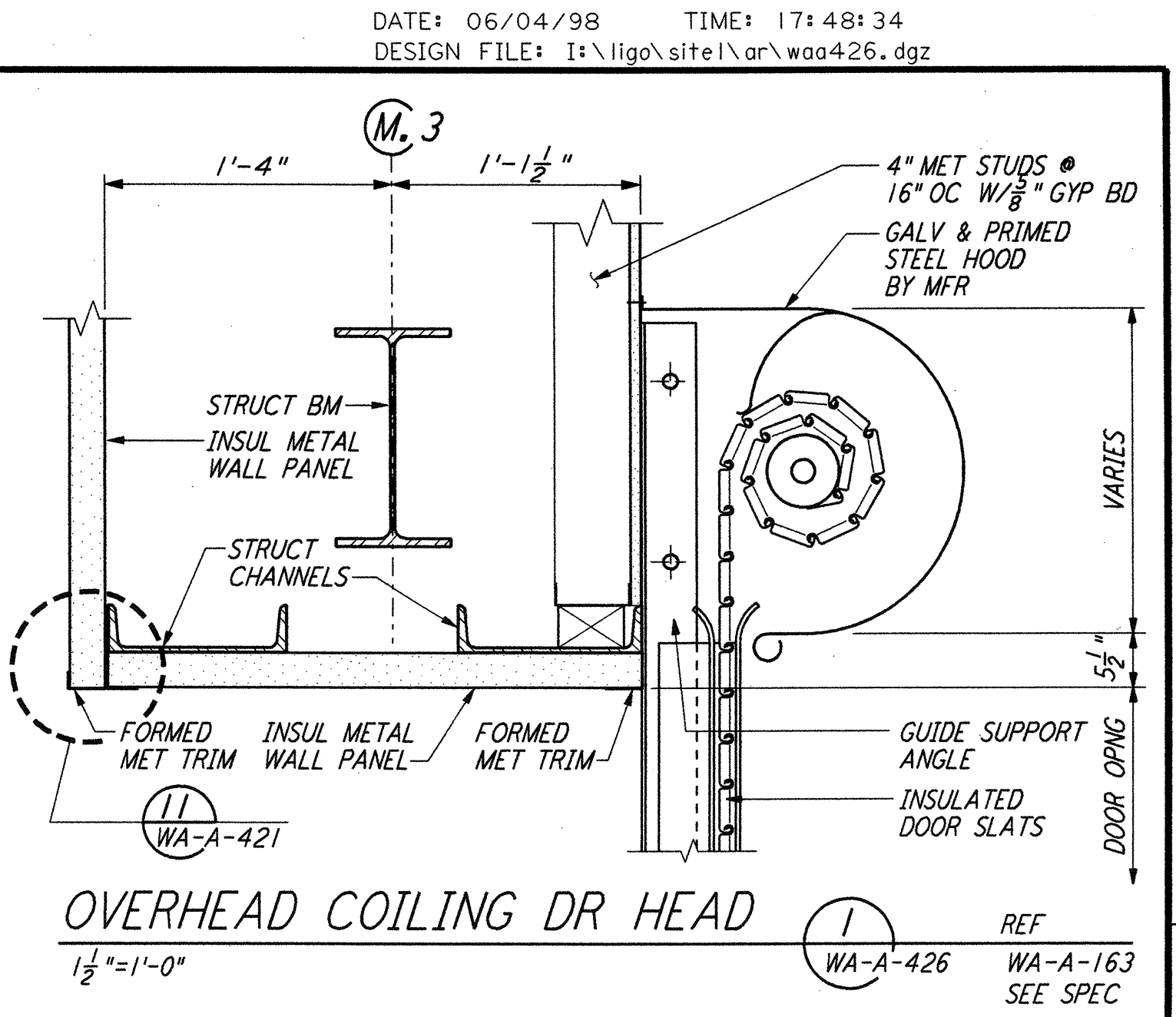
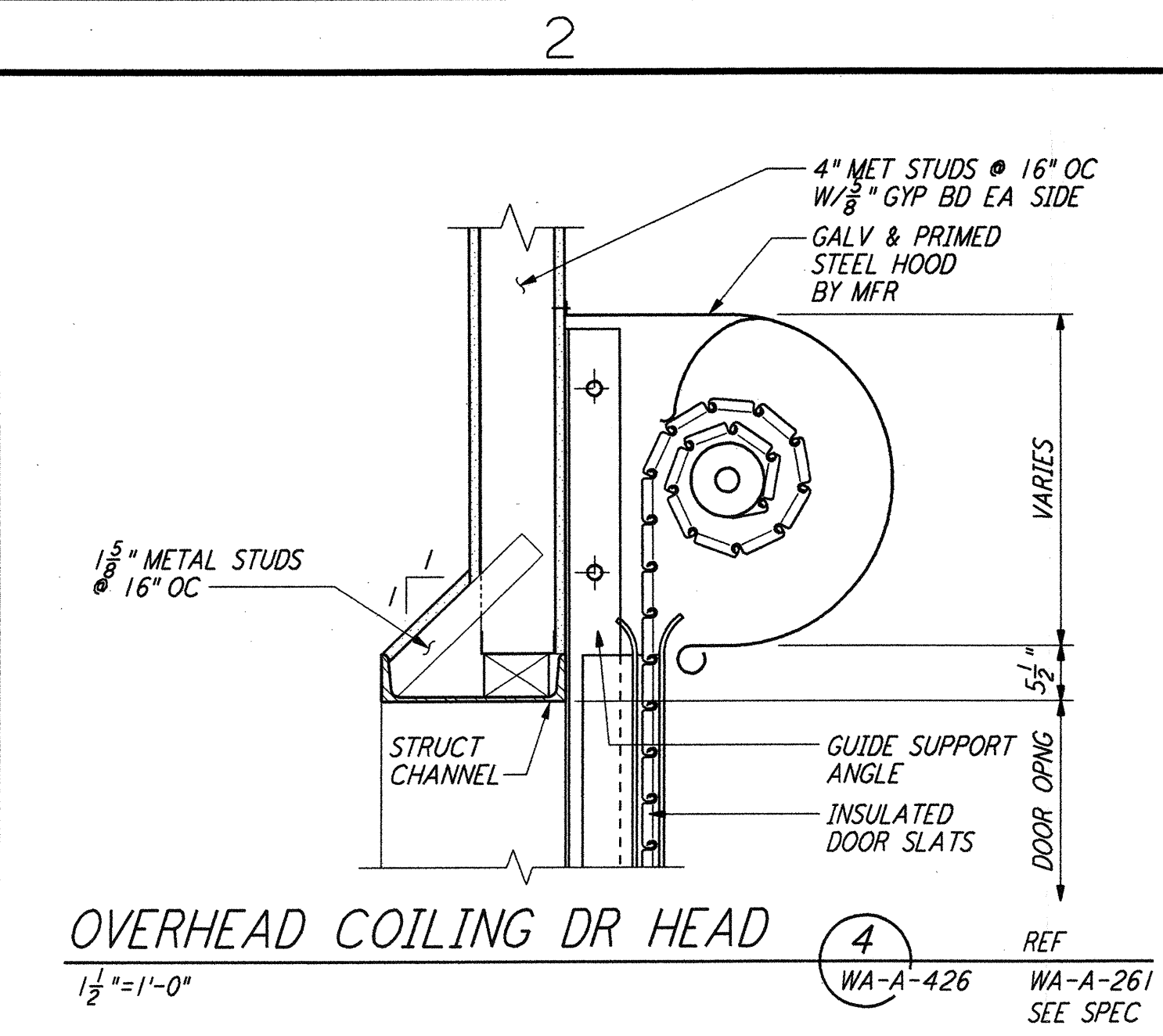
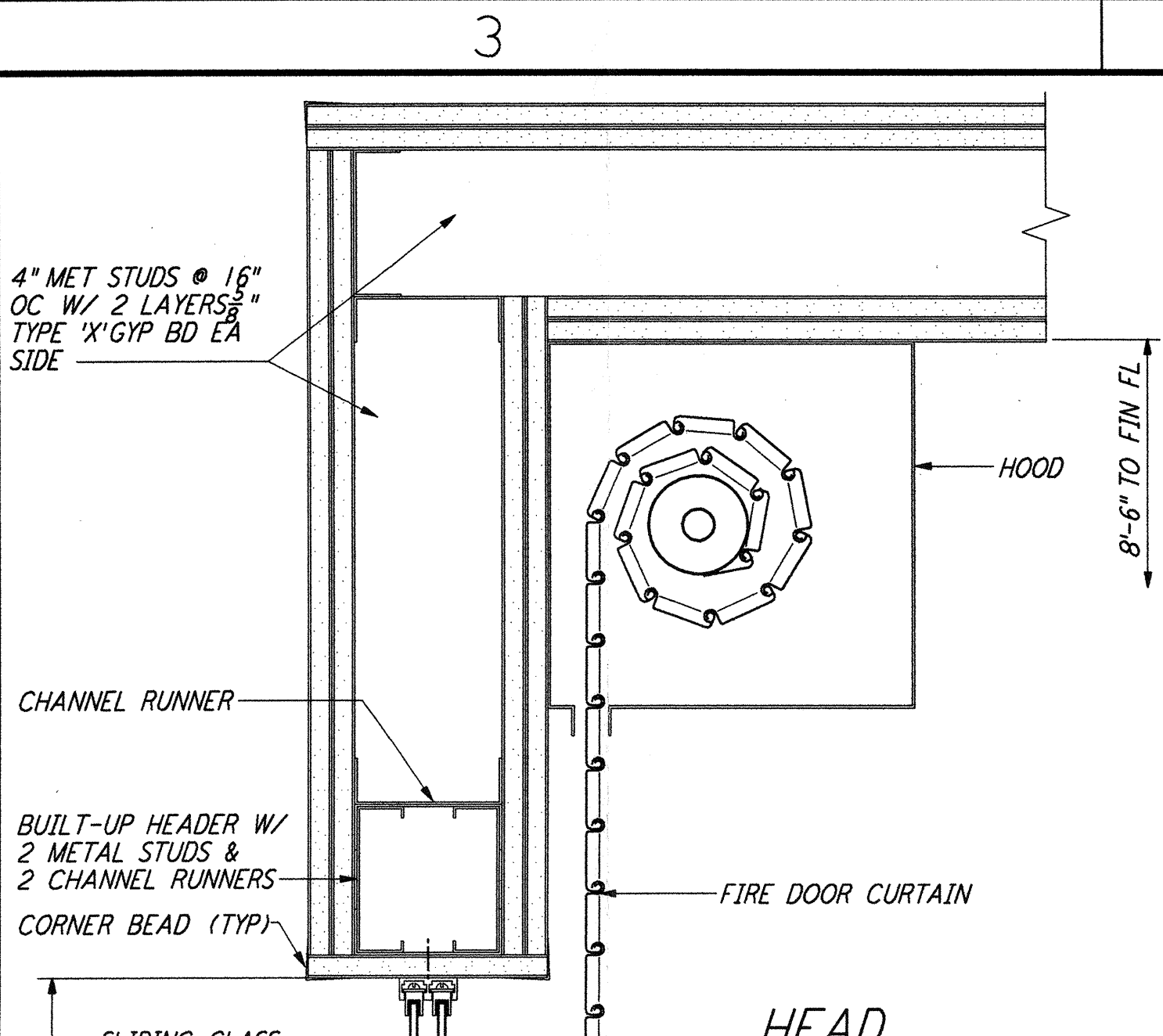
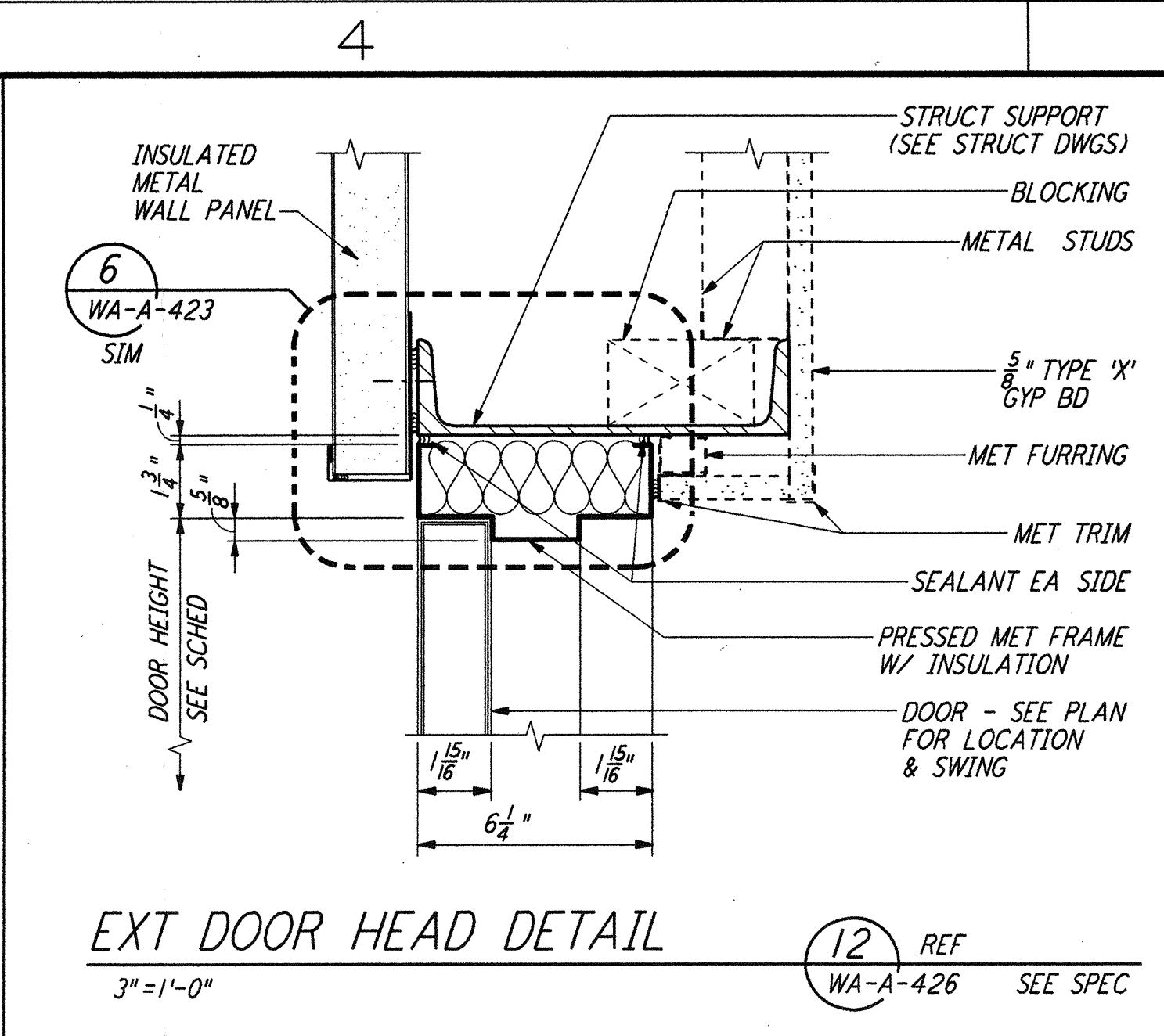
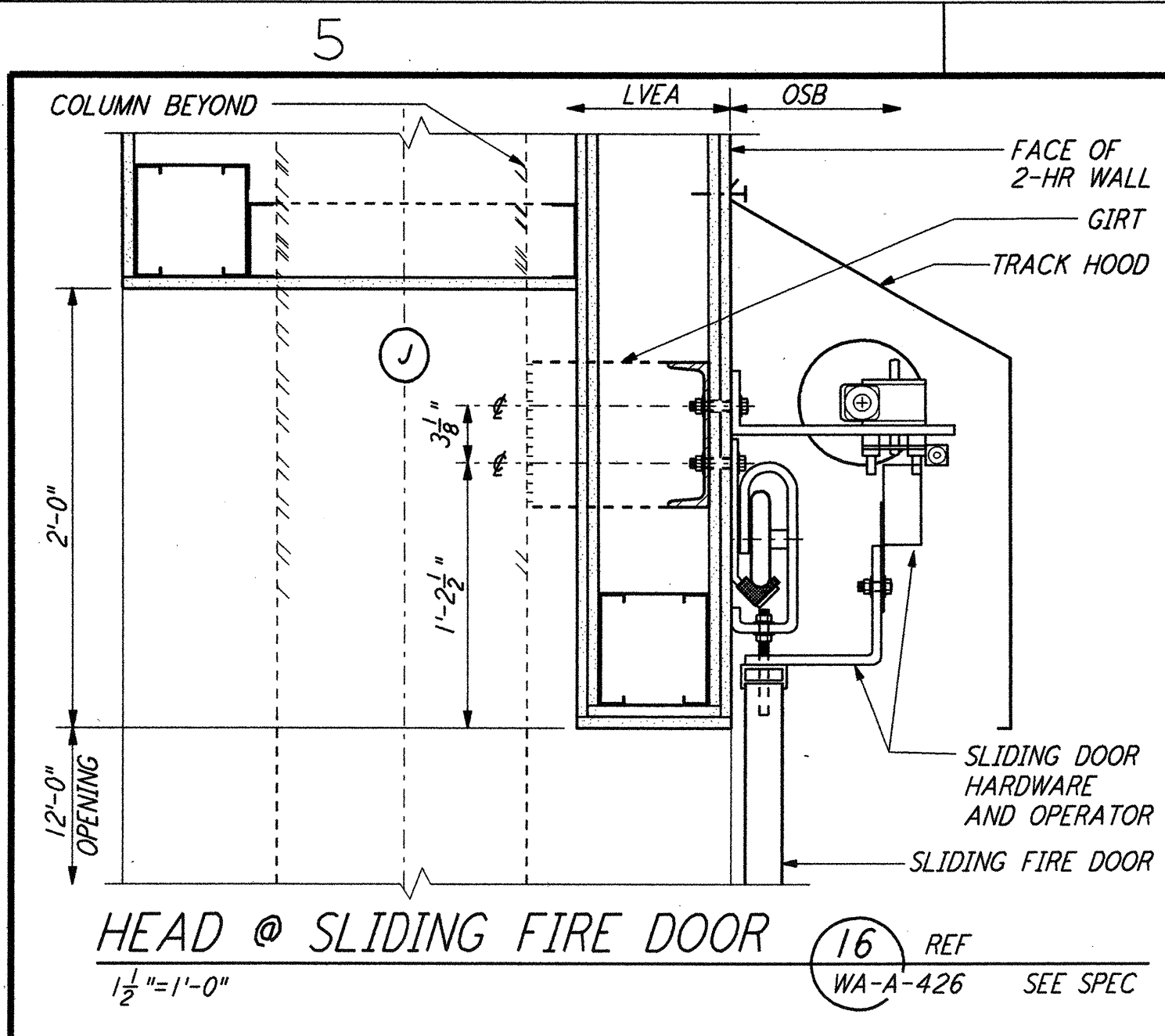


This document and the design it covers are the property of PARSONS. They are loaned only with the borrower's expressed written agreement that they will not be reproduced, copied, loaned, exhibited, or used in any other way, except by written consent from PARSONS to the borrower.



NO.	DATE	BY	CHKD	ENGR	PROJ	DESCRIPTION
2	5-15-98	CKT				ISSUED FOR AS-BUILT
1	2-28-97	CKT				ACCESS DOOR TO VSEA'S

ISSUED FOR CONSTRUCTION
 DRAWN SH/RR 5-12-96
 CHECKED TB 5-26-96
 ENGINEER bhk 7-12-96
 PROJ MDW 7-12-96

AS-BUILT DRAWINGS

PARSONS

100 WEST WALNUT STREET
 PASADENA, CALIFORNIA

LIGO

CALIFORNIA INSTITUTE OF TECHNOLOGY
 MASSACHUSETTS INSTITUTE OF TECHNOLOGY

LASER INTERFEROMETER
 GRAVITATIONAL-WAVE OBSERVATORY
 SITE NO. 1 - HANFORD, WASHINGTON

ARCHITECTURAL
 DOOR DETAILS

AS NOTED PP150969 8094
WA-A-426

Jun 04 17:47:51 1998 G:\PLOT\JOB\53-V3862.DCF 52085 H:\V3862\ar\426.prf LIGOWAF.BDR