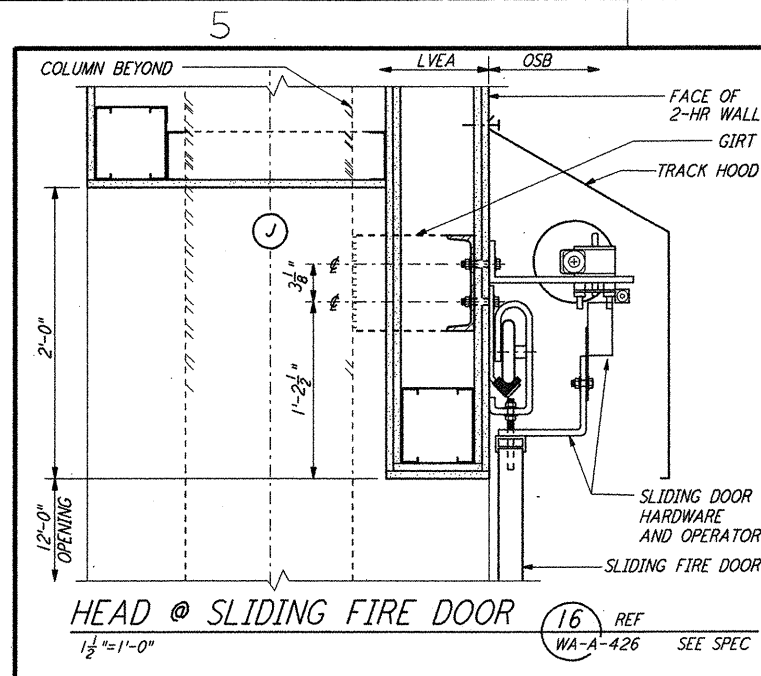
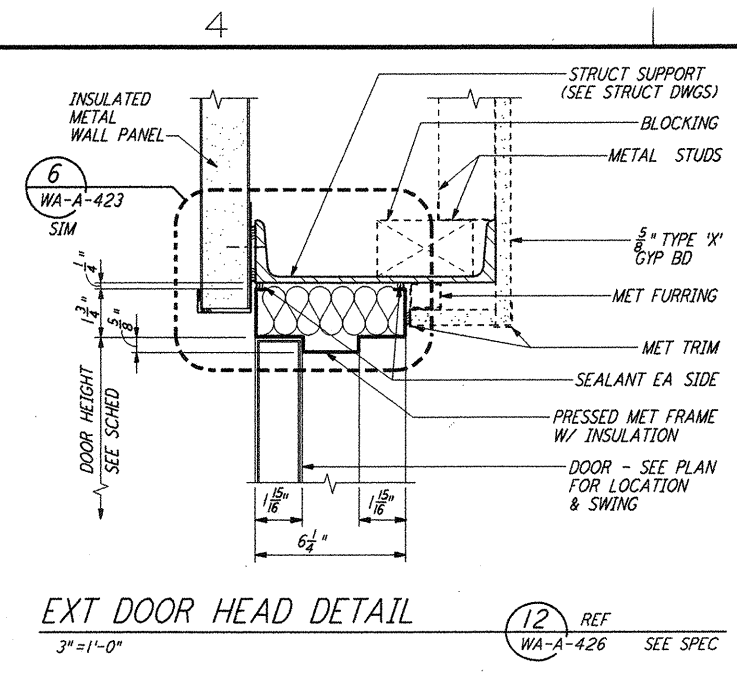


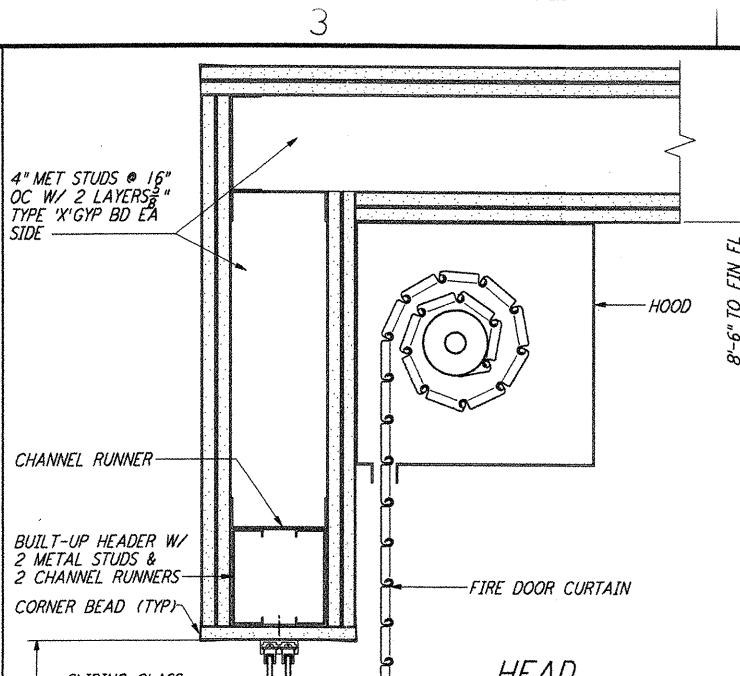
This document and the design it covers are the property of PARSONS. They are loaned only with the borrower's expressed written agreement that they will not be reproduced, copied, loaned, exhibited, or used in any other way, except by written consent from PARSONS.



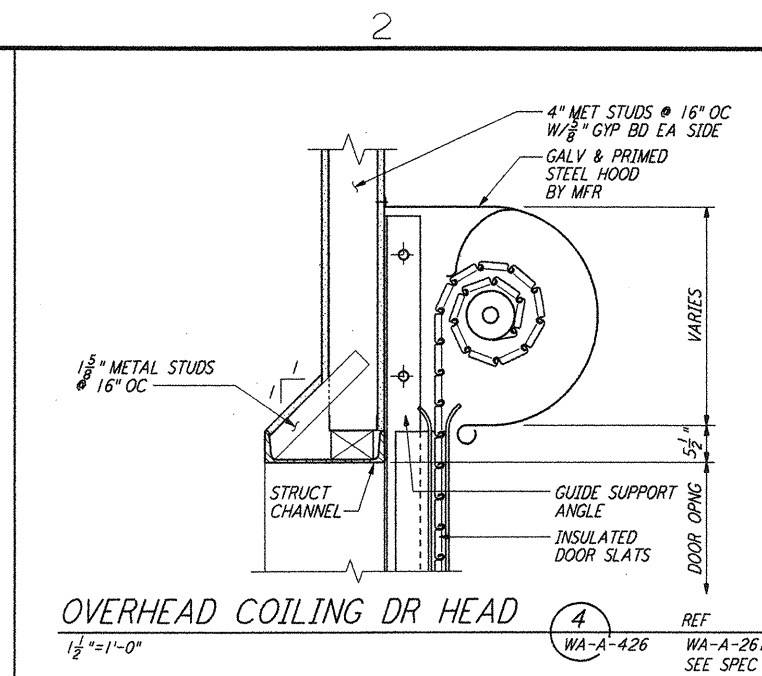
HEAD @ SLIDING FIRE DOOR (16) REF
 1 1/2" = 1'-0" WA-A-426 SEE SPEC



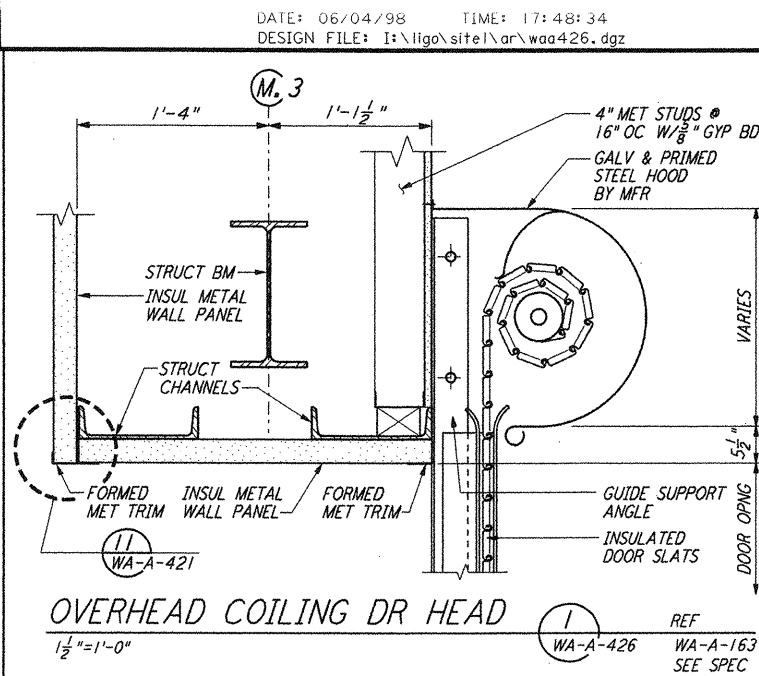
EXT DOOR HEAD DETAIL (12) REF
 3' = 1'-0" WA-A-426 SEE SPEC



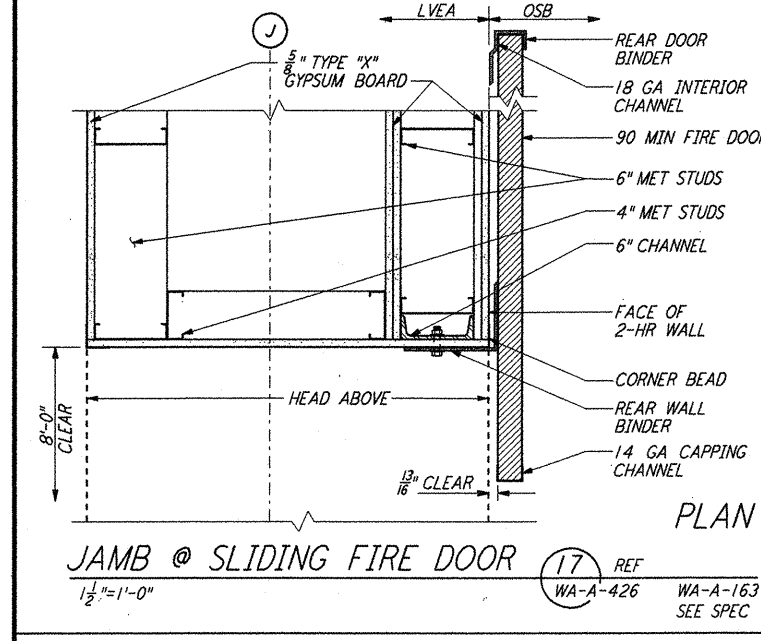
WINDOW FIRE SHUTTER (9) REF
 3' = 1'-0" WA-A-426 WA-A-162 SEE SPEC



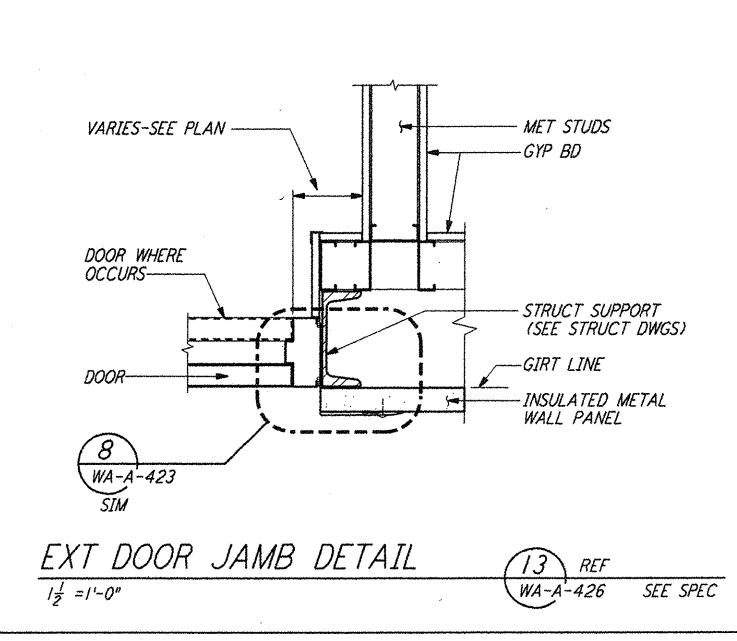
OVERHEAD COILING DR HEAD (4) REF
 1 1/2" = 1'-0" WA-A-426 WA-A-261 SEE SPEC



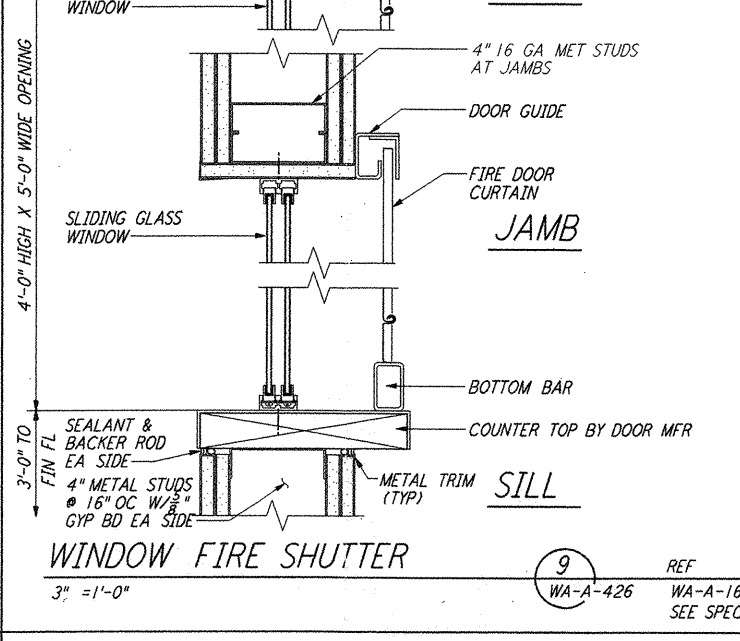
OVERHEAD COILING DR HEAD (1) REF
 1 1/2" = 1'-0" WA-A-426 WA-A-163 SEE SPEC



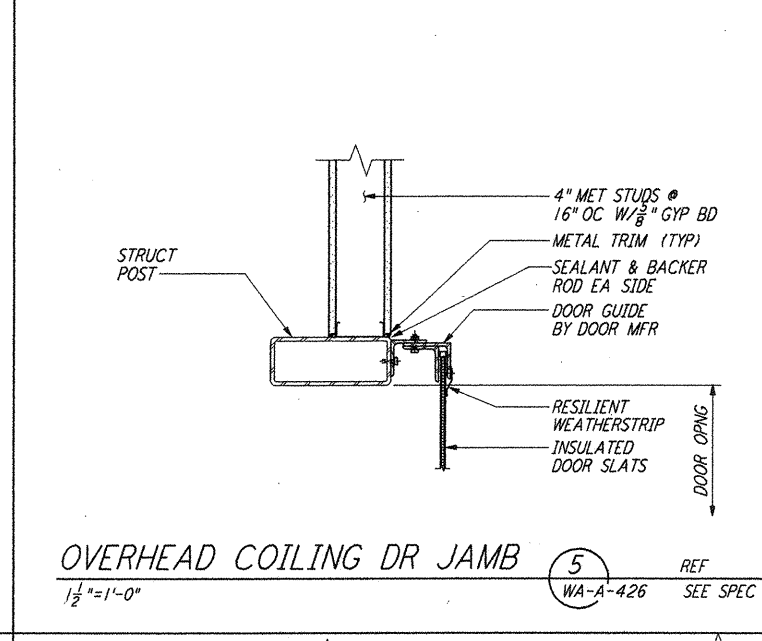
JAMB @ SLIDING FIRE DOOR (17) REF
 1 1/2" = 1'-0" WA-A-426 WA-A-163 SEE SPEC



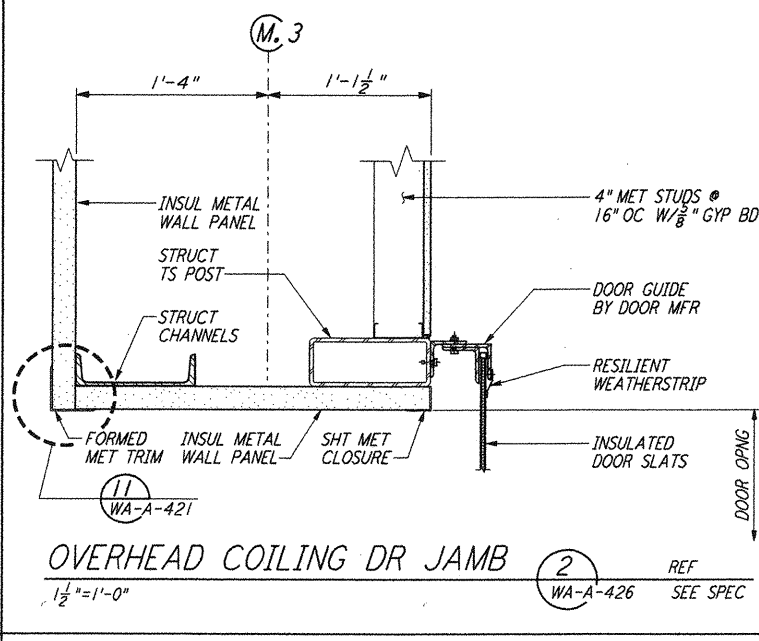
EXT DOOR JAMB DETAIL (13) REF
 1 1/2" = 1'-0" WA-A-426 SEE SPEC



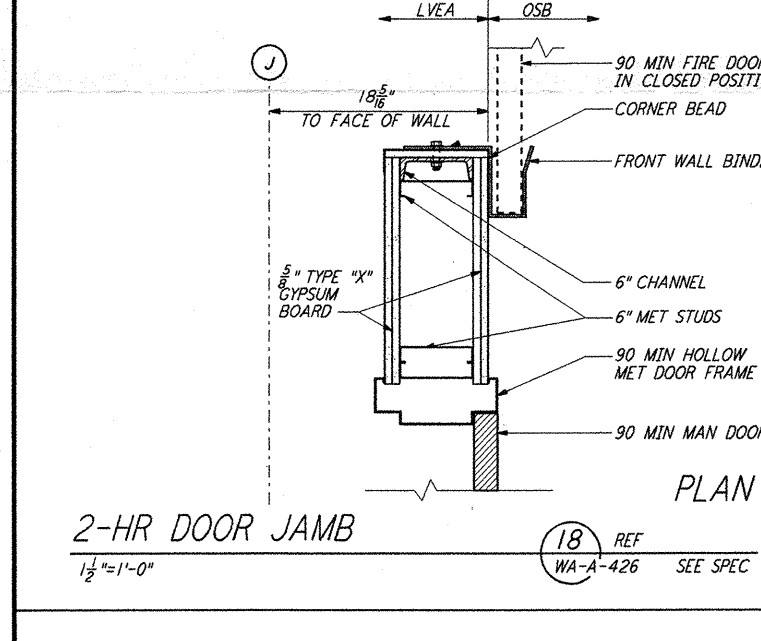
OVERHEAD COILING DR JAMB (5) REF
 1 1/2" = 1'-0" WA-A-426 SEE SPEC



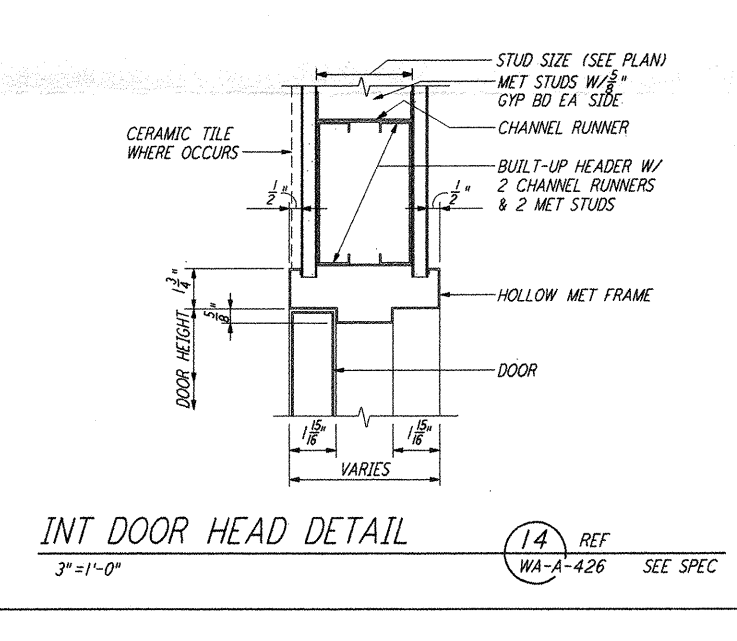
OVERHEAD COILING DR JAMB (2) REF
 1 1/2" = 1'-0" WA-A-426 SEE SPEC



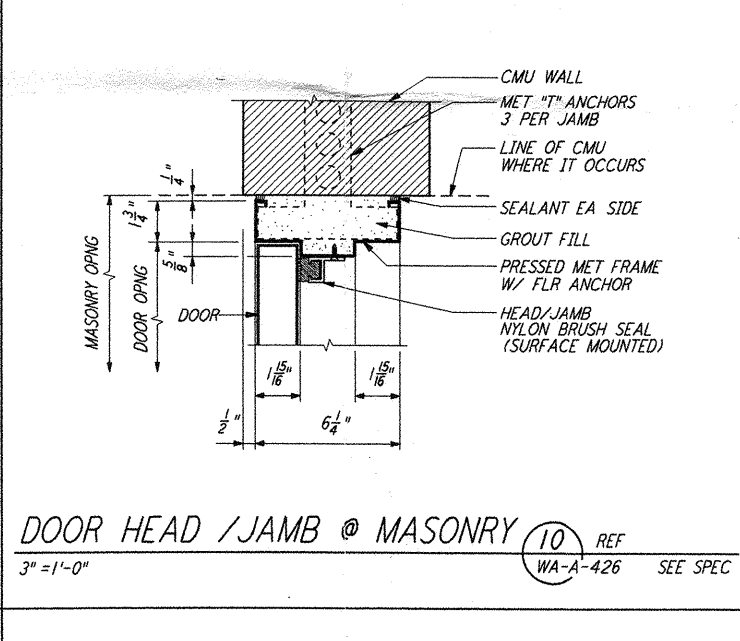
OVERHEAD COILING DR SILL (3) REF
 1 1/2" = 1'-0" WA-A-426 SEE SPEC



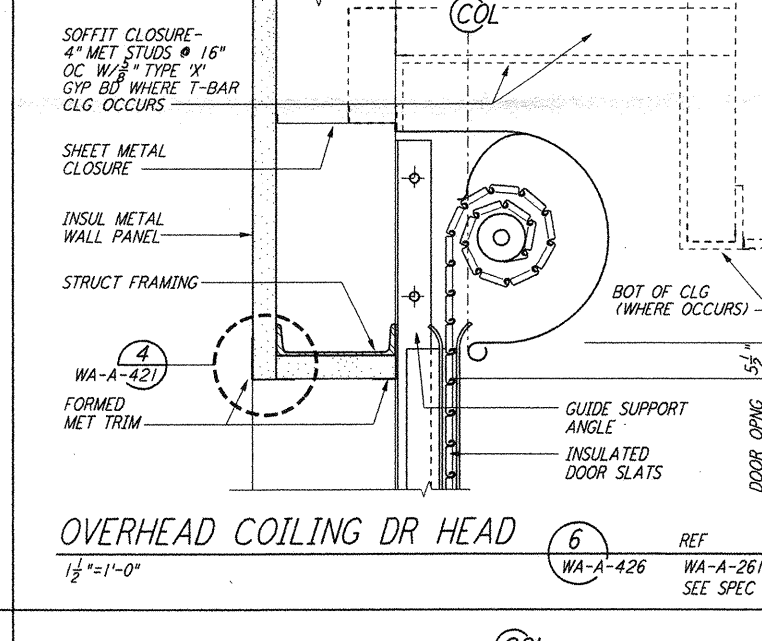
2-HR DOOR JAMB (18) REF
 1 1/2" = 1'-0" WA-A-426 SEE SPEC



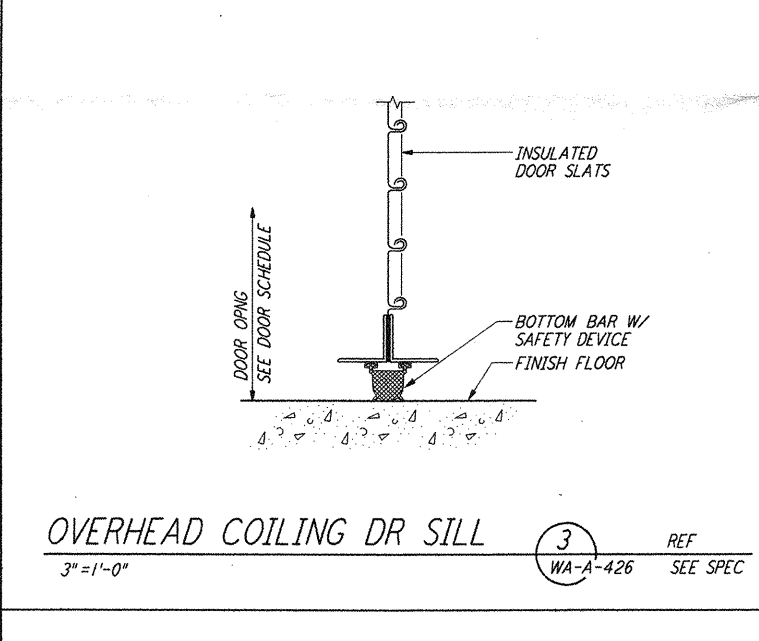
INT DOOR HEAD DETAIL (14) REF
 3' = 1'-0" WA-A-426 SEE SPEC



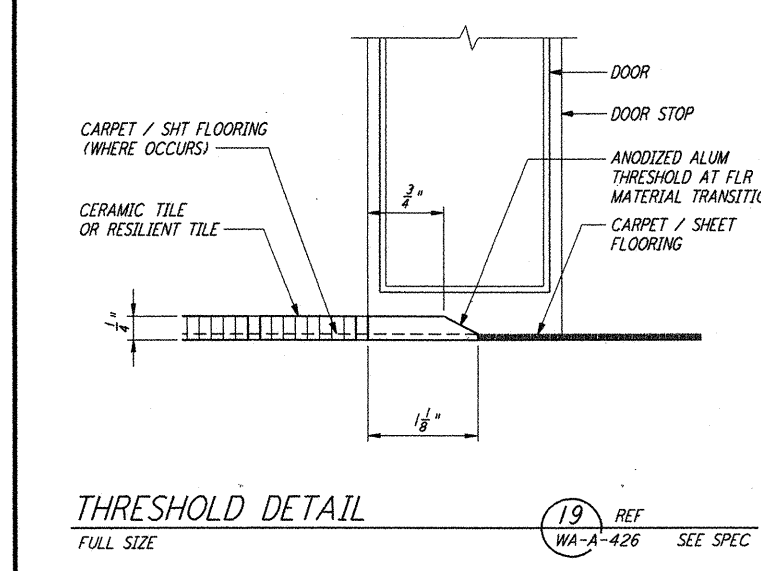
DOOR HEAD / JAMB @ MASONRY (10) REF
 3' = 1'-0" WA-A-426 SEE SPEC



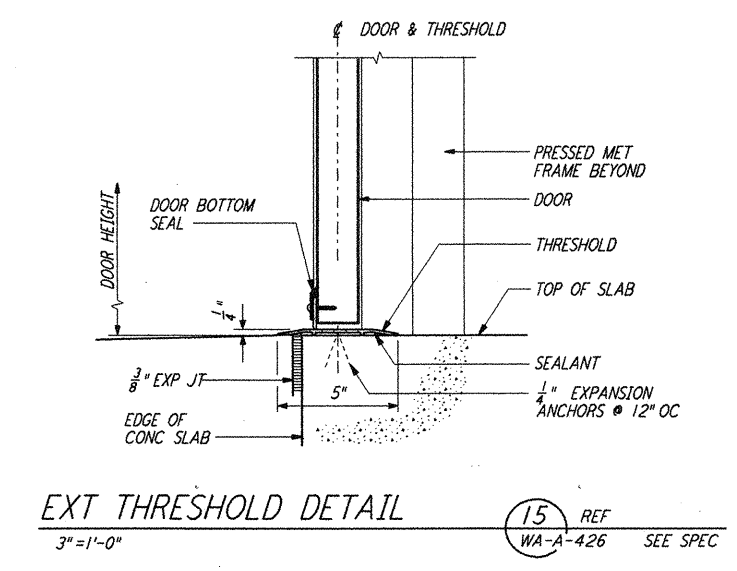
OVERHEAD COILING DR HEAD (6) REF
 1 1/2" = 1'-0" WA-A-426 WA-A-261 SEE SPEC



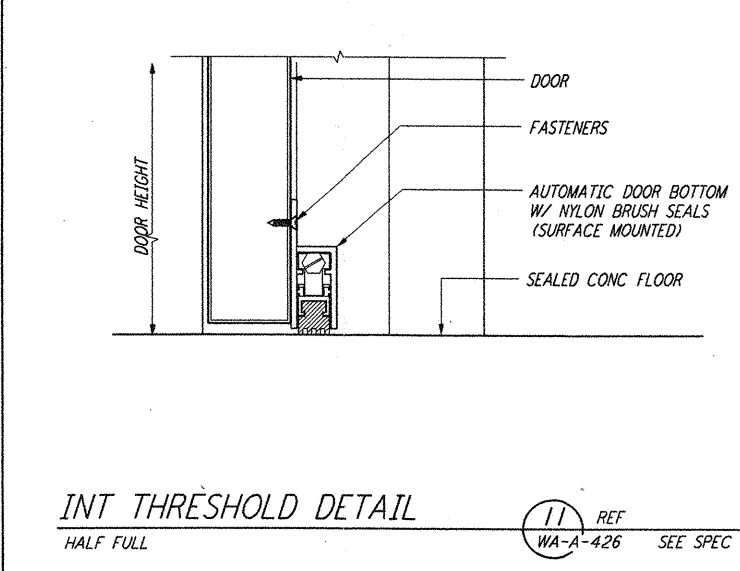
OVERHEAD COILING DR JAMB (7) REF
 1 1/2" = 1'-0" WA-A-426 SEE SPEC



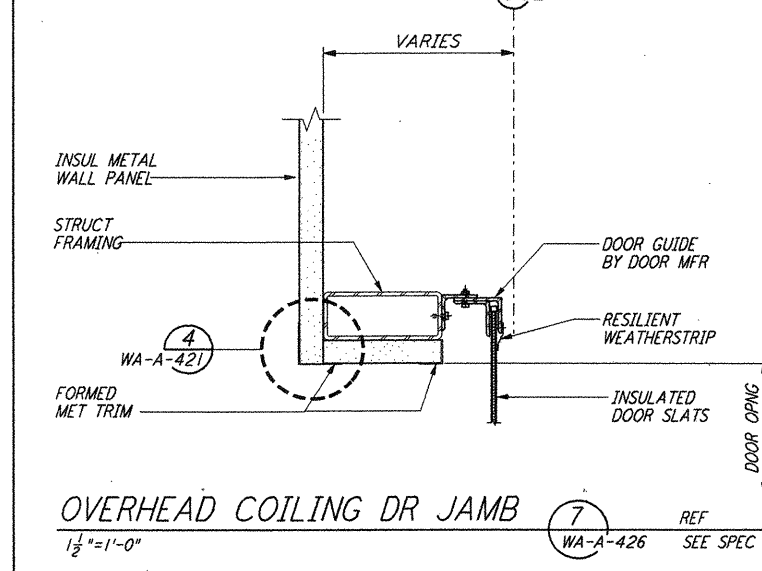
THRESHOLD DETAIL (19) REF
 FULL SIZE WA-A-426 SEE SPEC



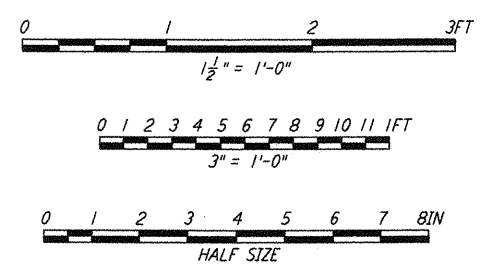
EXT THRESHOLD DETAIL (15) REF
 3' = 1'-0" WA-A-426 SEE SPEC



INT THRESHOLD DETAIL (11) REF
 HALF FULL WA-A-426 SEE SPEC



OVERHEAD COILING DR JAMB (7) REF
 1 1/2" = 1'-0" WA-A-426 SEE SPEC



NO.	DATE	BY	CHKD	ENGR	PROJ	DESCRIPTION
2	5-15-98	CKT	AK	TDM		ISSUED FOR AS-BUILT
1	2-28-97	CKT	TB	AK		ACCESS DOOR TO VSEA'S

ISSUED FOR CONSTRUCTION
 DRAWN SH/PK 5-12-96
 CHECKED TB 5-28-96
 ENGINEER BAK 7-12-96
 PROJ MOW 7-12-96

AS-BUILT DRAWINGS

PARSONS
 100 WEST WALNUT STREET
 PASADENA, CALIFORNIA

LIGO
 CALIFORNIA INSTITUTE OF TECHNOLOGY
 MASSACHUSETTS INSTITUTE OF TECHNOLOGY

LIGO-D960270-02-0
 LASER INTERFEROMETER
 GRAVITATIONAL-WAVE OBSERVATORY
 SITE NO. 1 - HANFORD, WASHINGTON

SCALE: AS NOTED
 CONTRACT NUMBER: PP150969
 PROJECT NUMBER: 8094
 SHEET NUMBER: WA-A-426