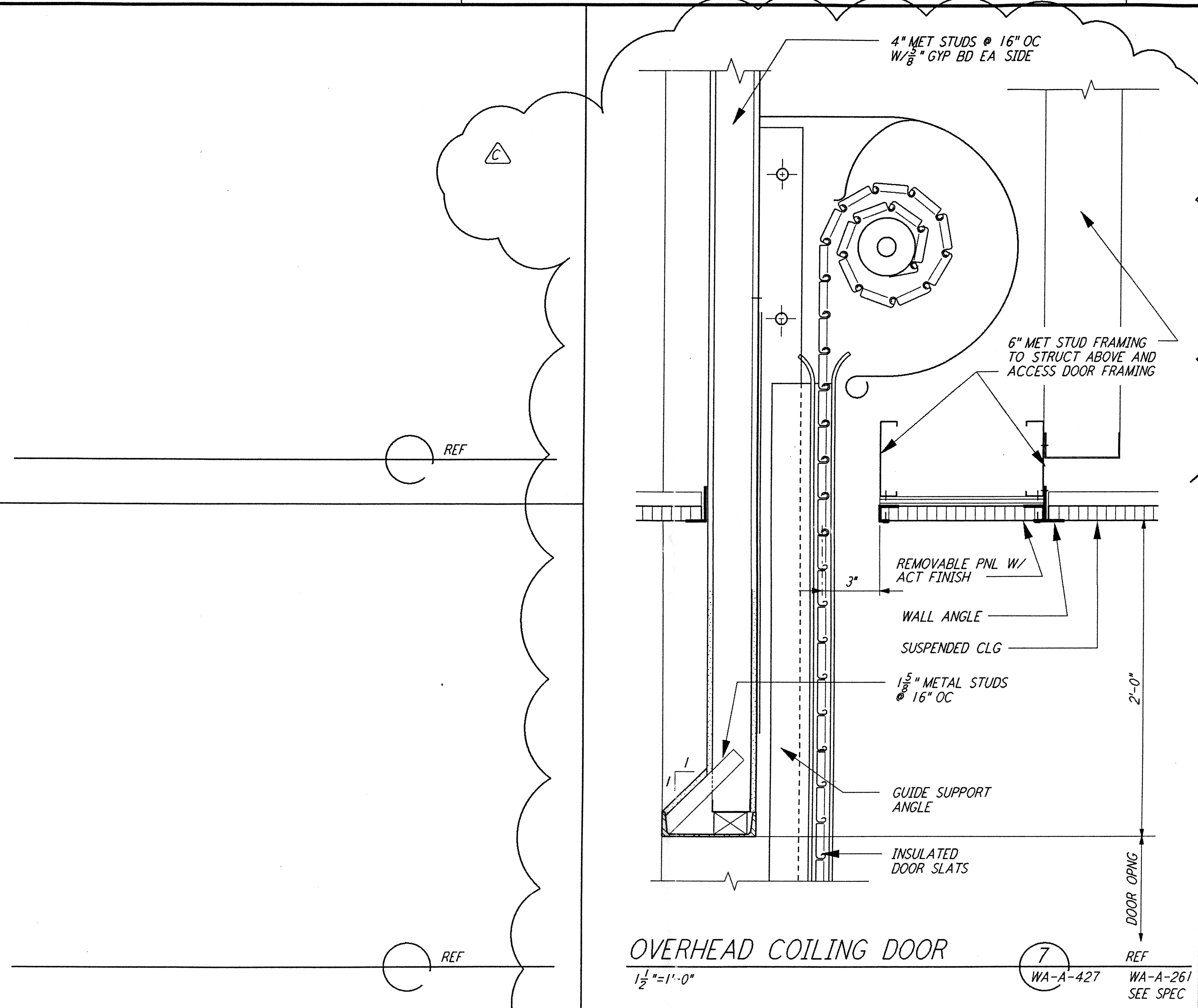
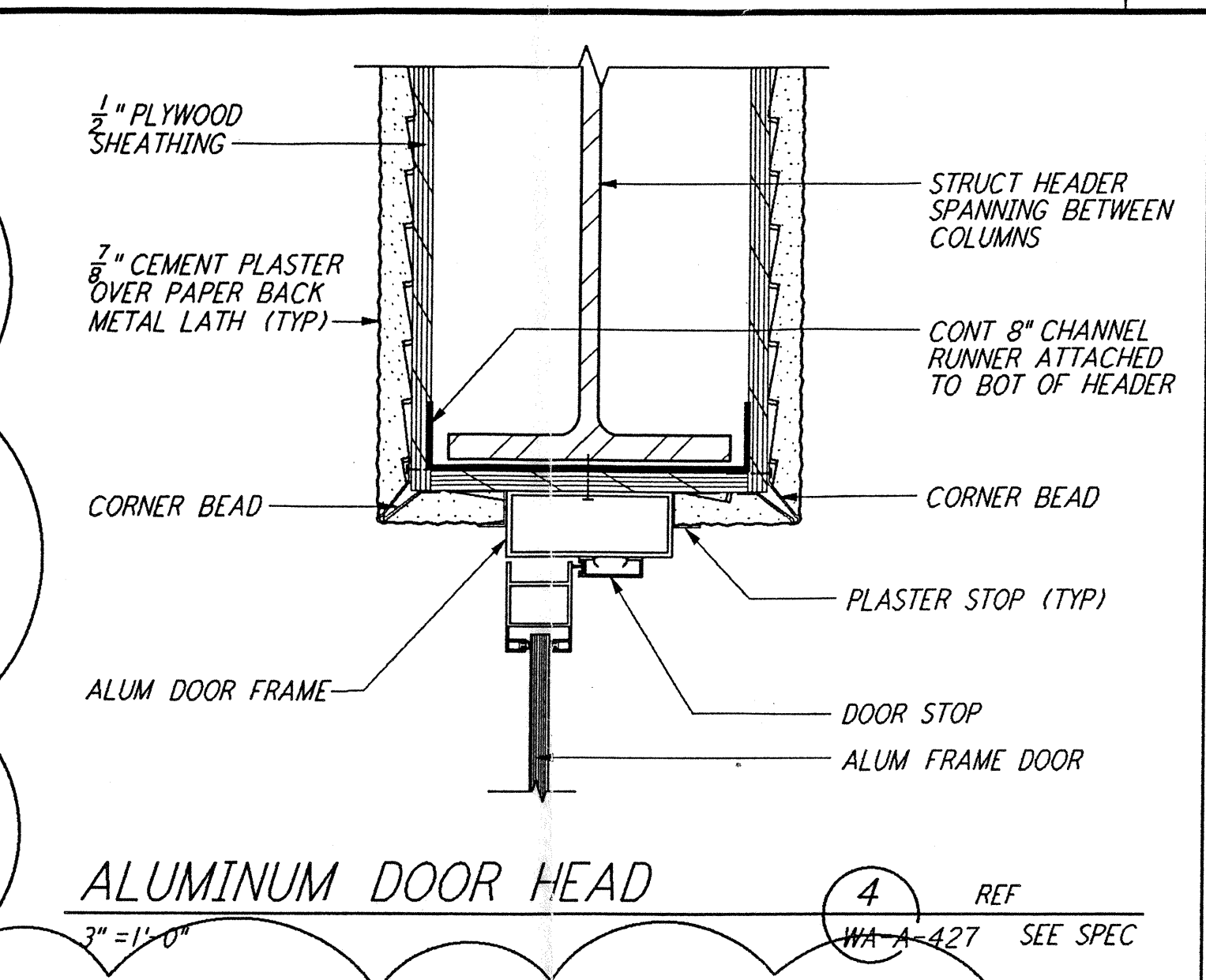


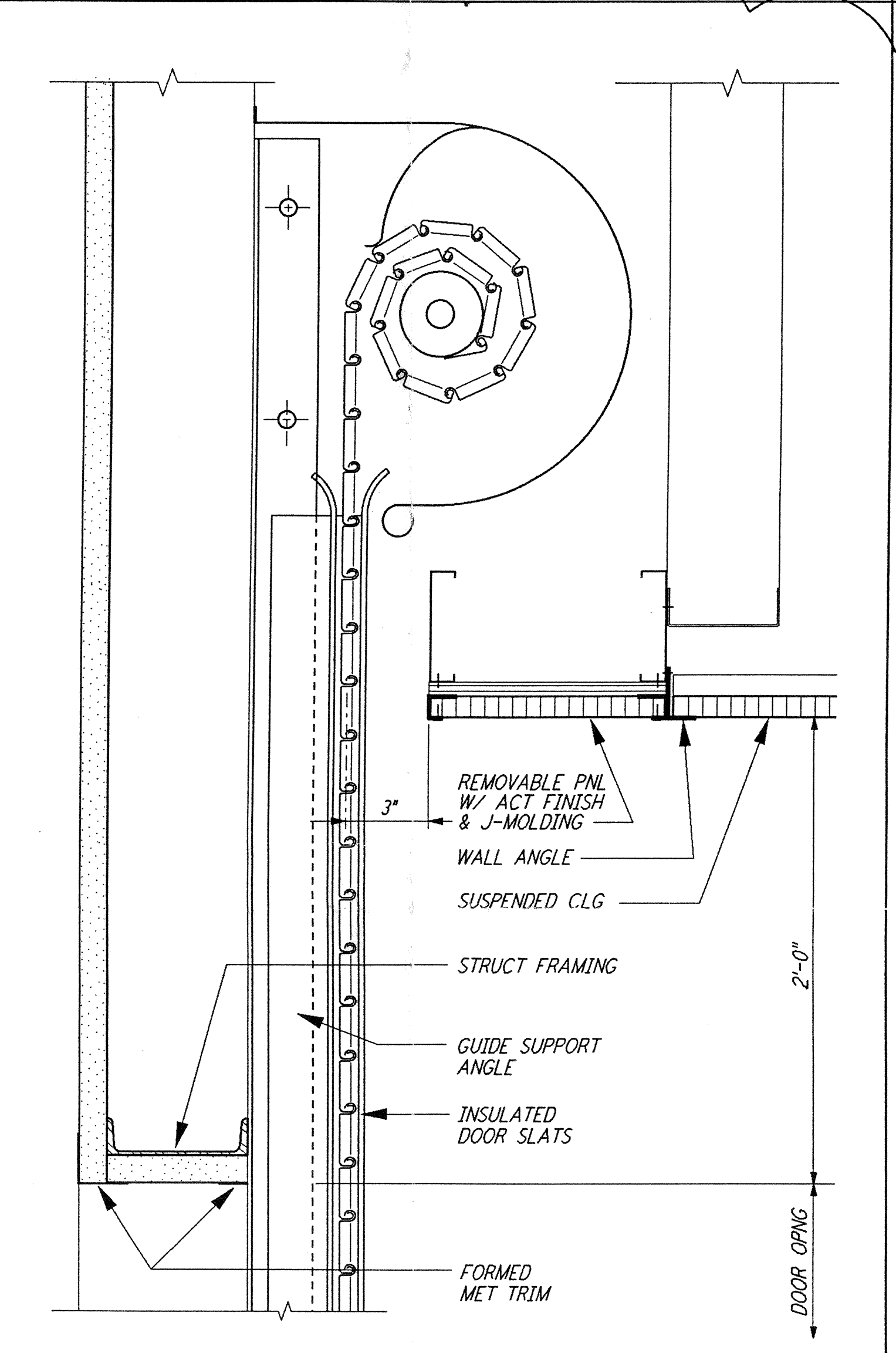
This document and the design it covers are the property of PARSONS. They are loaned only with the borrower's expressed written agreement that they will not be reproduced, copied, loaned, exhibited, or used in any other way, except by written consent from PARSONS to the borrower.



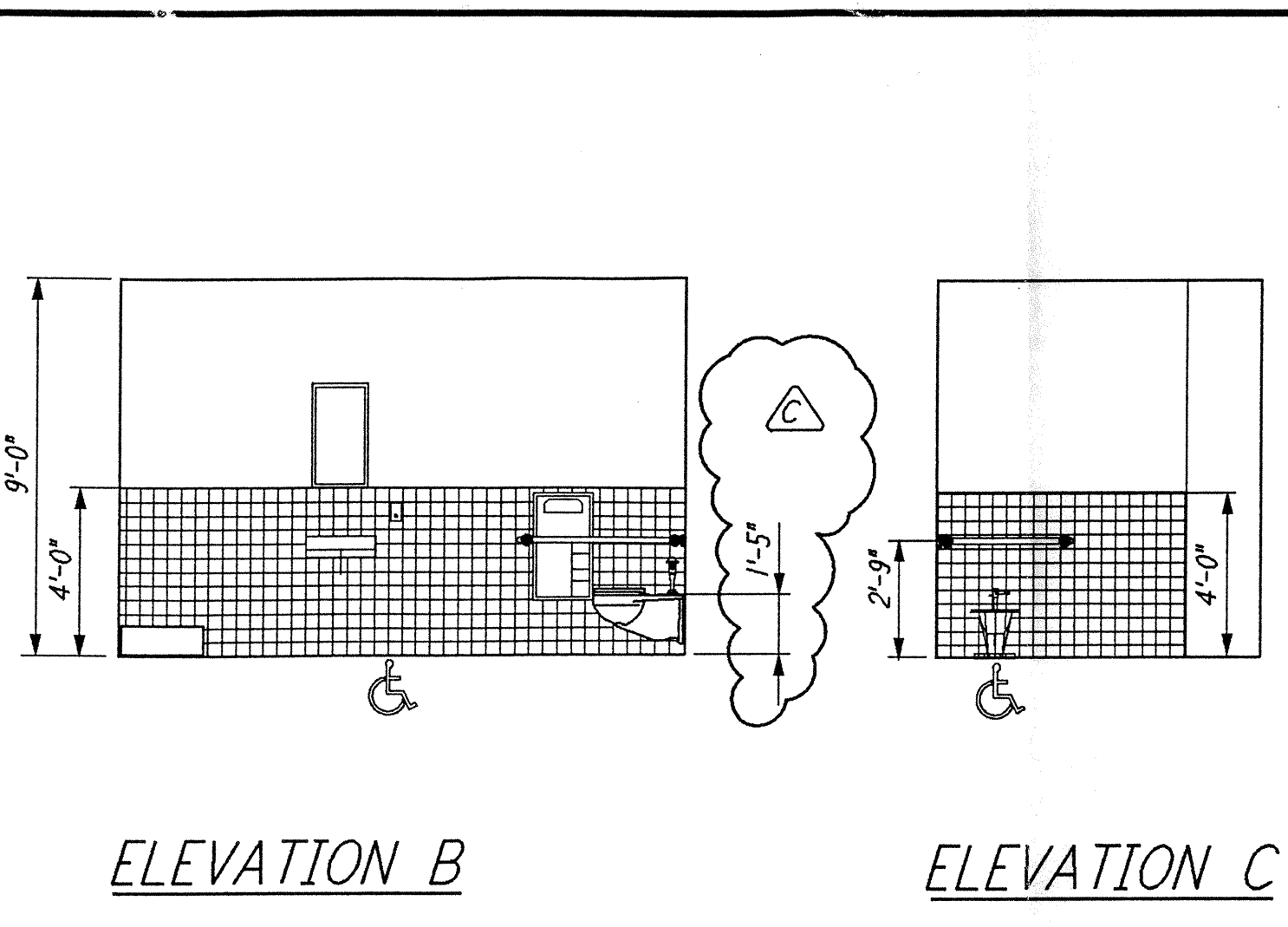
OVERHEAD COILING DOOR
 $\frac{1}{2}'' = 1'-0''$ REF WA-A-427 WA-A-261 SEE SPEC



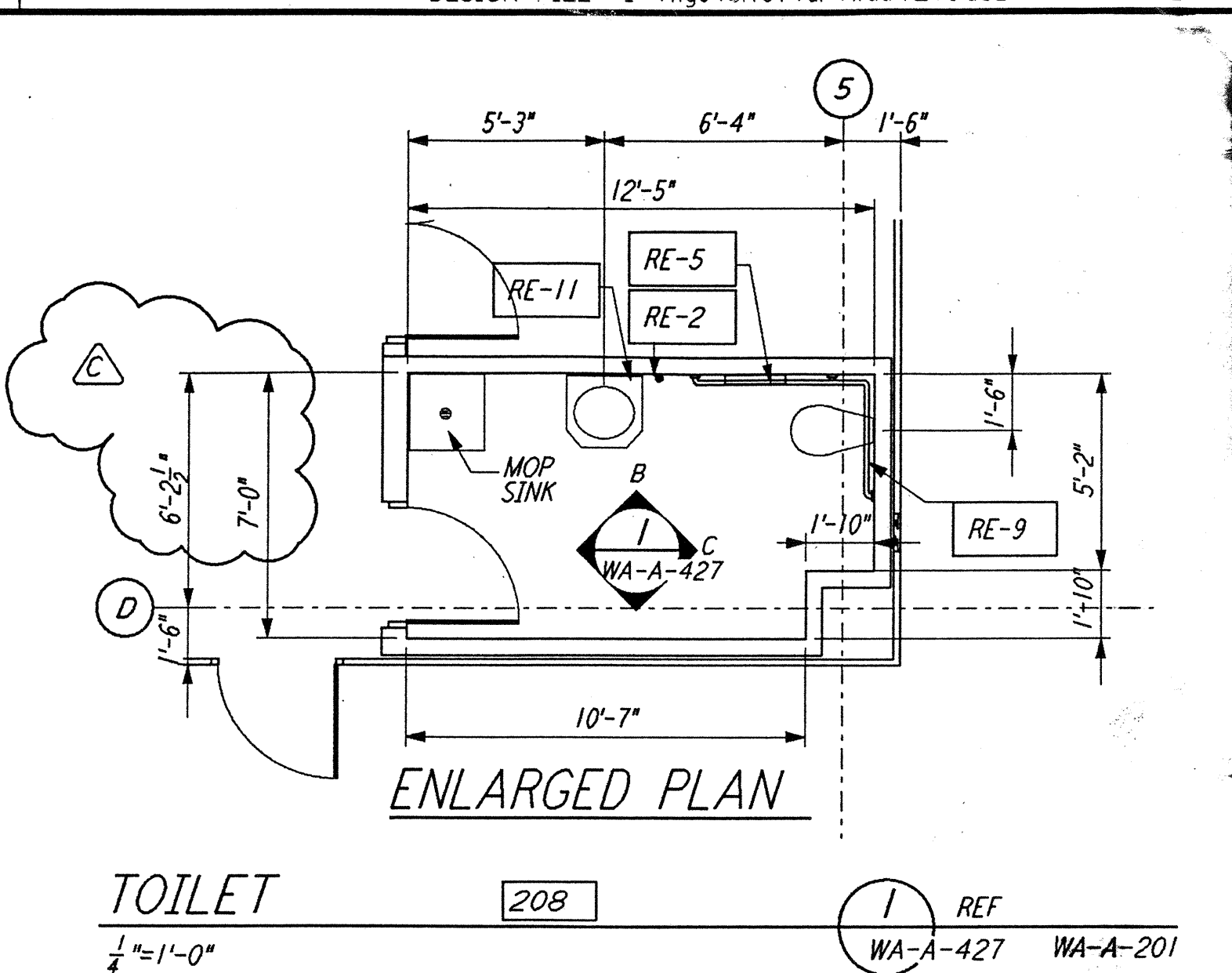
ALUMINUM DOOR HEAD
 $\frac{3}{4}'' = 1'-0''$ REF WA-A-427 SEE SPEC



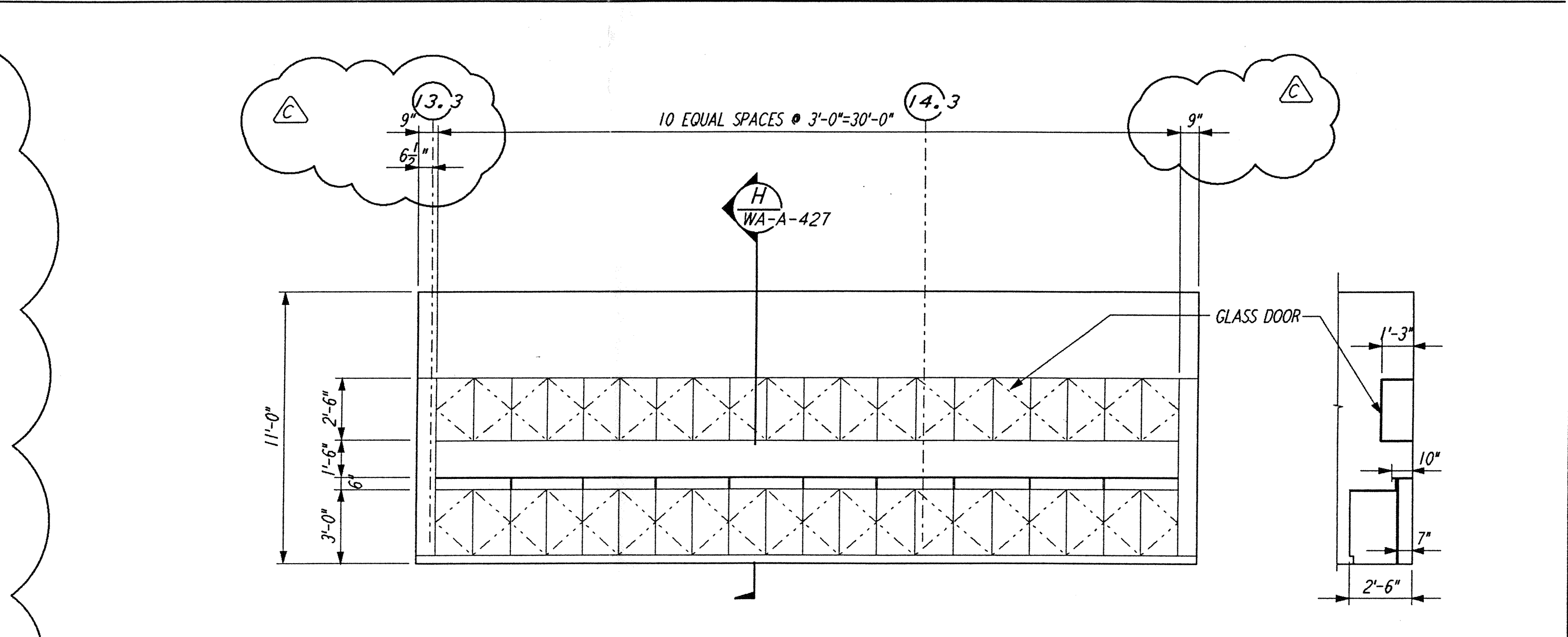
OVERHEAD COILING DOOR
 $\frac{1}{2}'' = 1'-0''$ REF WA-A-427 WA-A-261 SEE SPEC



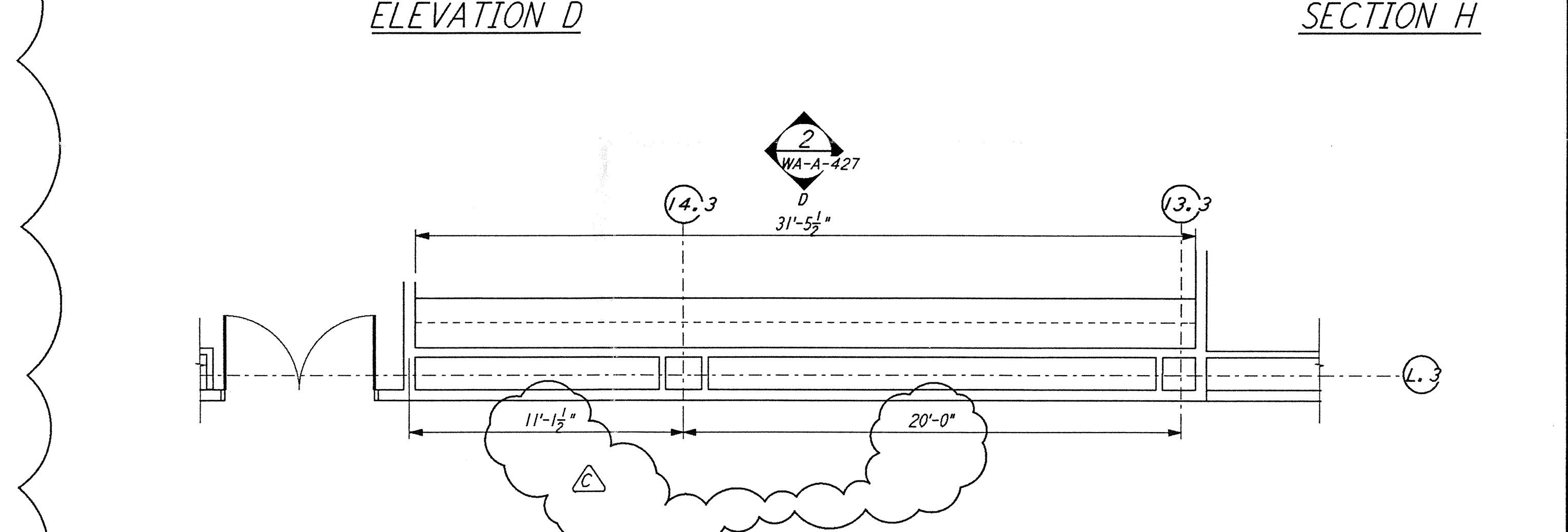
ELEVATION B **ELEVATION C**



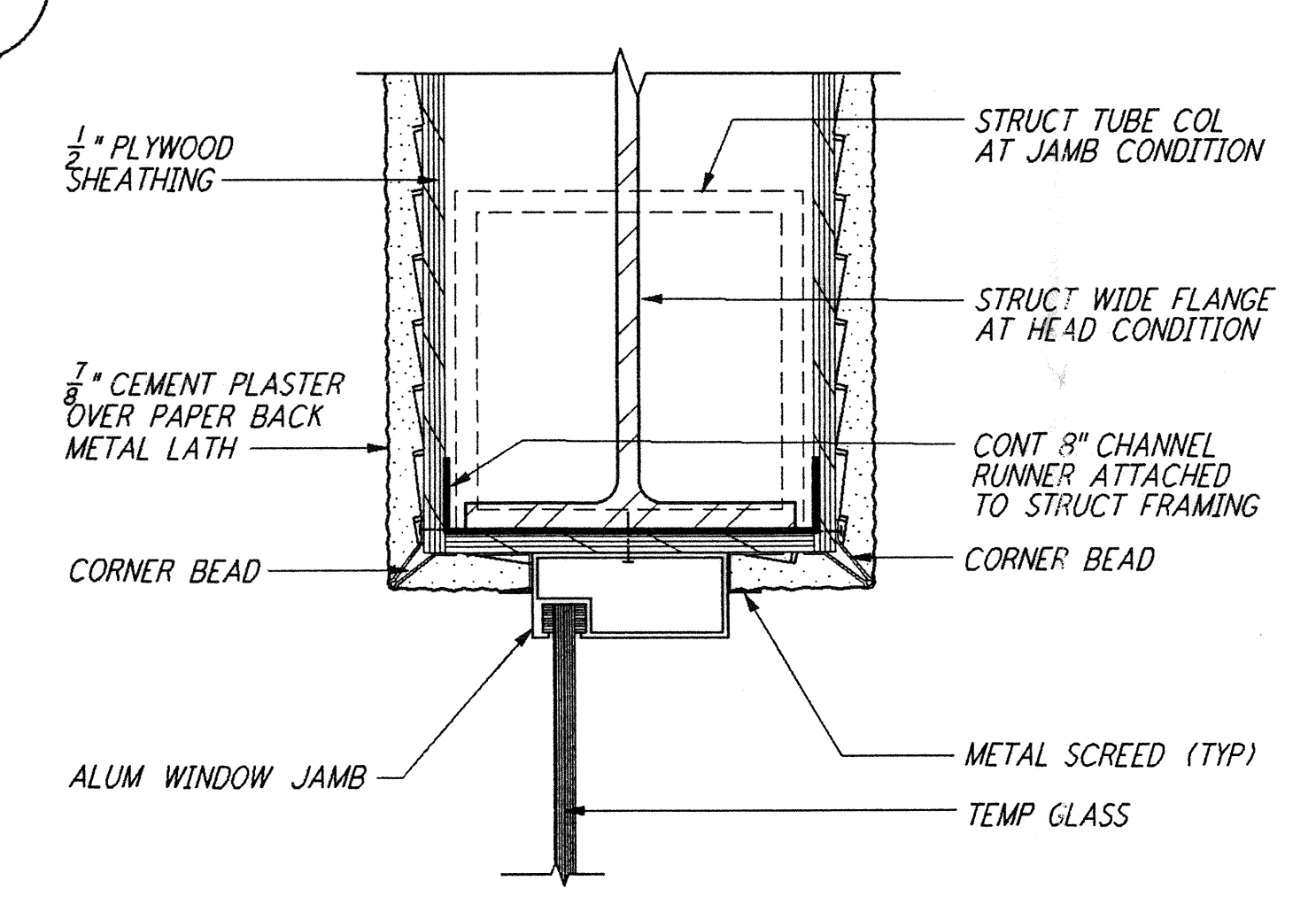
TOILET 208 REF WA-A-427 WA-A-201



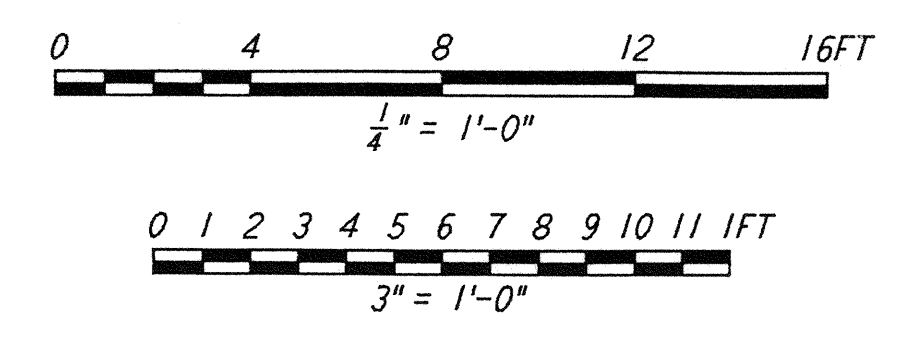
ELEVATION D **SECTION H**



VACUUM PREP/ ASSEMBLY AREA (OSB)
 $\frac{1}{4}'' = 1'-0''$ REF WA-A-427 WA-A-109



ALUM WDW HEAD (JMB SIM)
 $\frac{3}{4}'' = 1'-0''$ REF WA-A-427 SEE SPEC



NO.	DATE	BY	CHKD	ENGR	PROJ	DESCRIPTION
C	5-22-96	BK	BK	SF	TDM	BID ADDENDUM #2
B	4-19-96	SF	SF	TDM		FINAL DESIGN REVIEW & BID
A	01/17/96	SF	SF	TDM		PRELIMINARY DESIGN REVIEW

DRAWN	CKT
CHECKED	
ENGINEER	
PROJ	

REFERENCES	

PARSONS
 100 WEST WALNUT STREET
 PASADENA, CALIFORNIA

LIGO
 CALIFORNIA INSTITUTE OF TECHNOLOGY
 MASSACHUSETTS INSTITUTE OF TECHNOLOGY

LASER INTERFEROMETER
 GRAVITATIONAL-WAVE OBSERVATORY
 SITE NO. 1 - HANFORD, WASHINGTON

TITLE: **ARCHITECTURAL INTERIOR ELEVATIONS & MISCELLANEOUS DETAILS**

SCALE: PPI50969 8094

SHEET NUMBER: **WA-A-427**