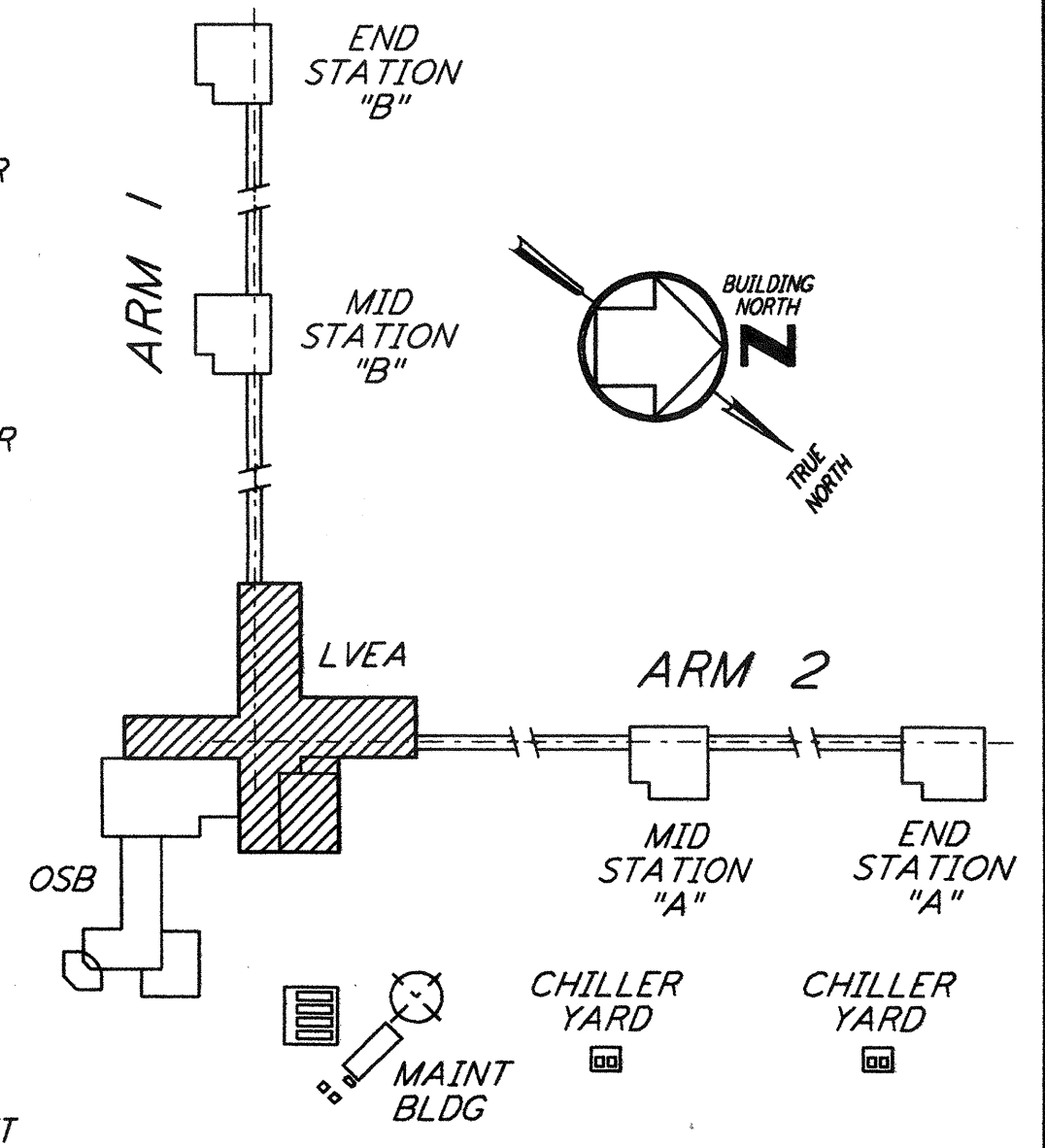


DATUM POINT EL +100.00 = 531.11' (LVEA)
 DATUM POINT EL +100.00 = 531.11' (OSB)
 0 8 16 24 32 40 48 56 64 FT
 1/8" = 1'-0"



KEY PLAN
LIGO-D960273-01-0

This document and the design it covers are the property of **PARSONS**. They are loaned only with the borrower's expressed written agreement that they will not be reproduced, copied, loaned, exhibited, or used in any other way, except by written consent from **PARSONS** to the borrower.

NO.	DATE	BY	CHKD	ENGR	PROJ	DESCRIPTION
1	5-15-98	ckt	lll	lll	lll	ISSUED FOR AS-BUILT

ISSUED FOR CONSTRUCTION
DRAWN CKT/DS 5-12-96
CHECKED TB 5-26-96
ENGINEER bkk 7-12-96
PROJ MDW 7-12-96
AS-BUILT DRAWINGS

PARSONS
 100 WEST WALNUT STREET
 PASADENA, CALIFORNIA

LIGO
 CALIFORNIA INSTITUTE OF TECHNOLOGY
 MASSACHUSETTS INSTITUTE OF TECHNOLOGY

**LASER INTERFEROMETER
 GRAVITATIONAL-WAVE OBSERVATORY
 SITE NO. 1 - HANFORD, WASHINGTON**

TITLE	SCALE	CONTRACT NUMBER	PROJECT NUMBER		
ARCHITECTURAL CORNER STATION LVEA FLOOR PLAN	AS NOTED	PP150969	8094		
SHEET NUMBER	REVISIONS				
WA-A-501	<table border="1"> <tr> <td>1</td> <td></td> </tr> </table>			1	
1					