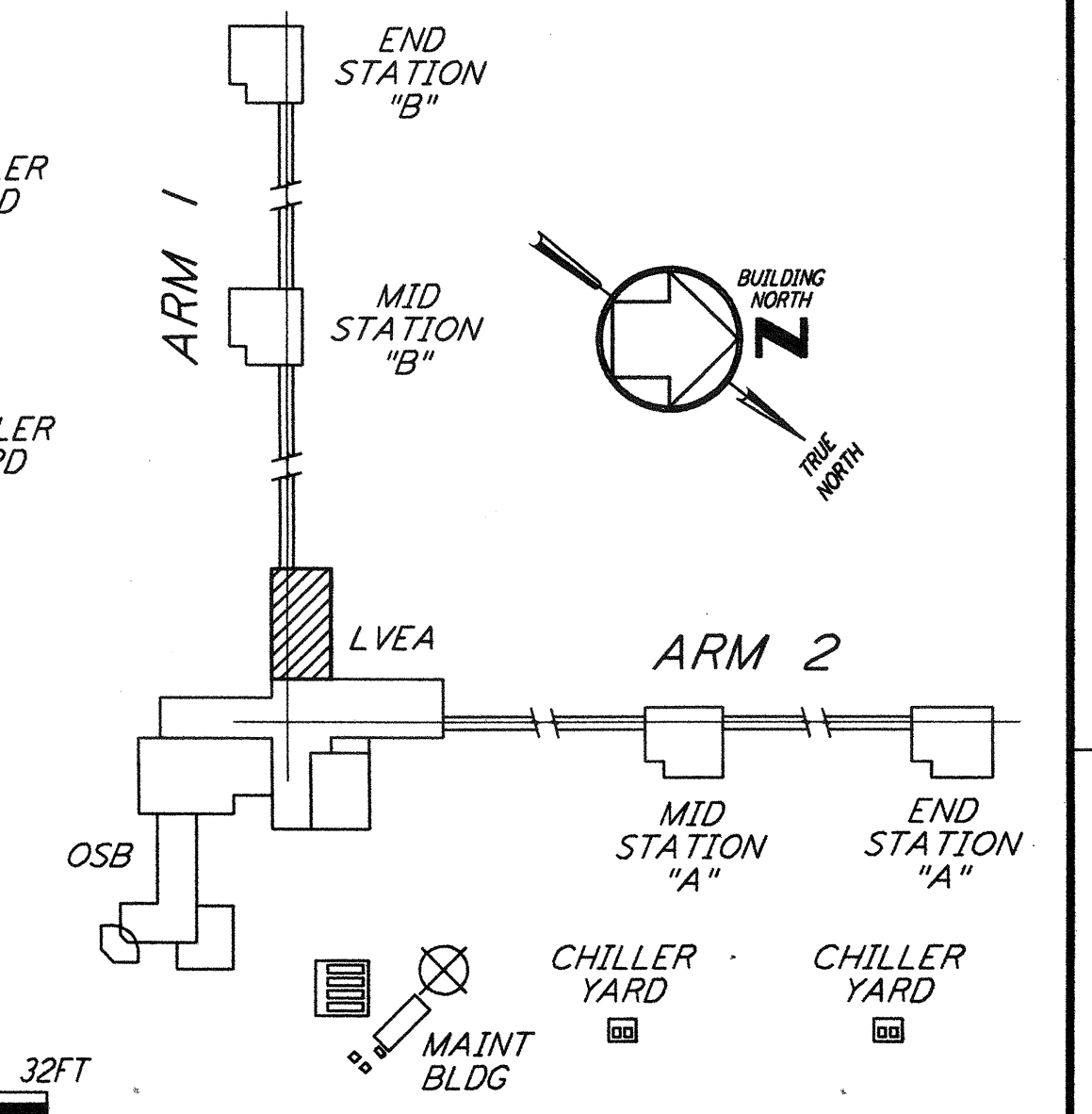
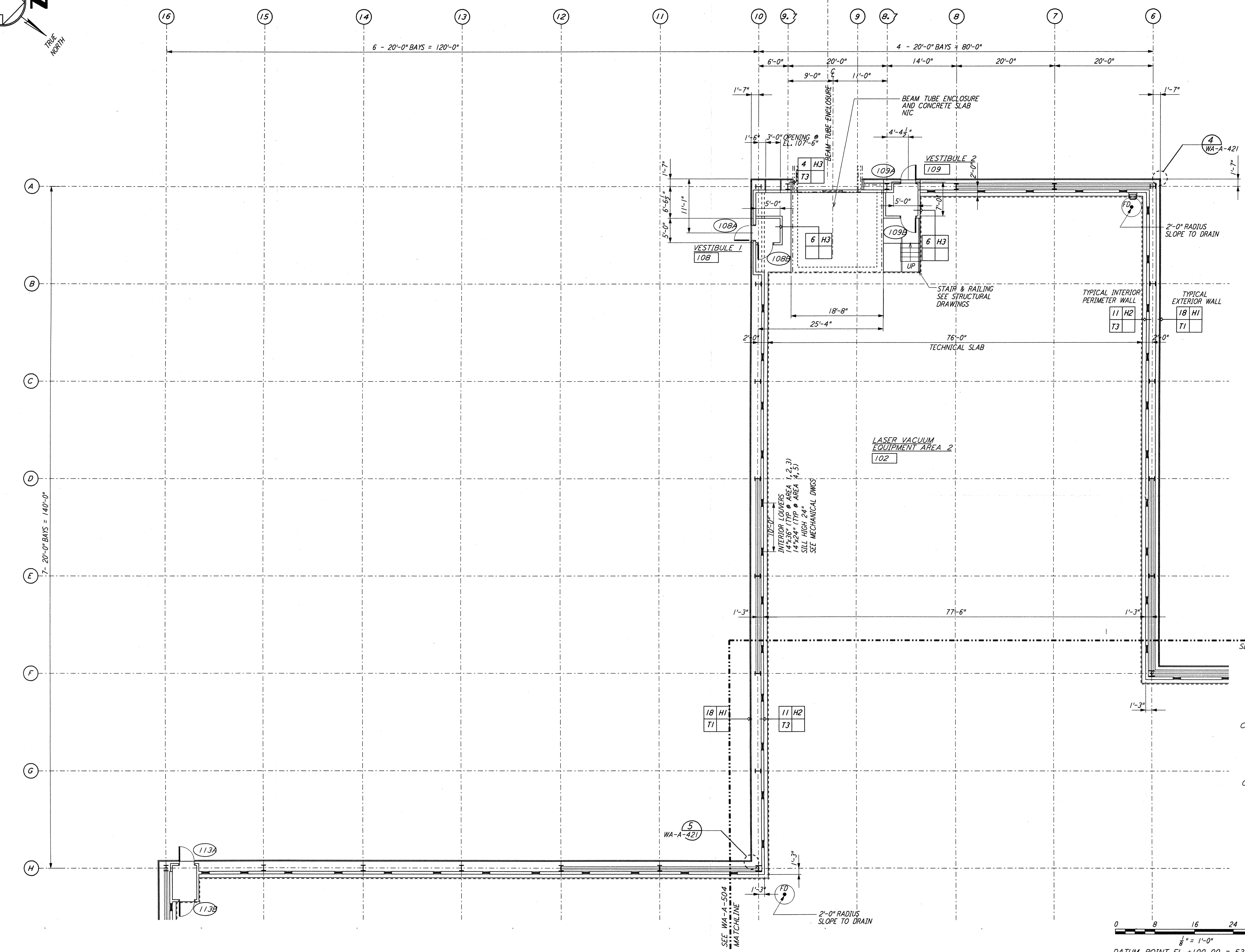
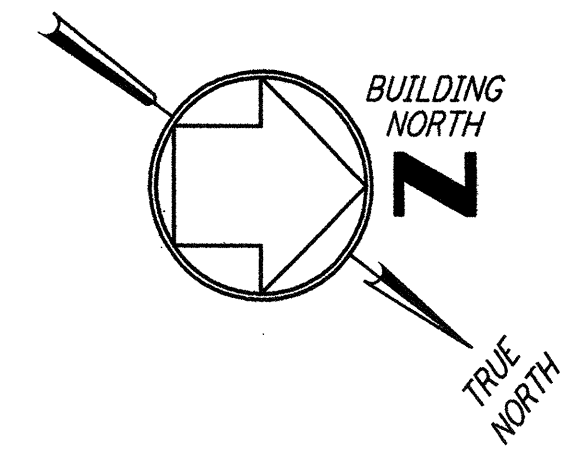


NOTE: SEE SPECIFICATIONS FOR ADDITIONAL INFORMATION AND SCHEDULES

This document and the design it covers are the property of PARSONS. They are loaned only with the borrower's expressed written agreement that they will not be reproduced, copied, loaned, exhibited, or used in any other way, except by written consent from PARSONS to the borrower.



0 8 16 24 32 FT
 1/8" = 1'-0"
 DATUM POINT EL +100.00 = 531.11' (LVEA)
 DATUM POINT EL +100.00 = 531.11' (OSB)

NO.	DATE	BY	CHKD	ENGR	PROJ	DESCRIPTION
1	5-15-98	CKT	[Signature]	[Signature]	[Signature]	ISSUED FOR AS-BUILT

ISSUED FOR CONSTRUCTION
DRAWN CKT/DS 5-12-96
CHECKED TB 5-26-96
ENGINEER bkk 7-12-96
PROJ MDW 7-12-96
AS-BUILT DRAWINGS

PARSONS
 100 WEST WALNUT STREET
 PASADENA, CALIFORNIA

LIGO
 CALIFORNIA INSTITUTE OF TECHNOLOGY
 MASSACHUSETTS INSTITUTE OF TECHNOLOGY

**LASER INTERFEROMETER
 GRAVITATIONAL-WAVE OBSERVATORY
 SITE NO. 1 - HANFORD, WASHINGTON**

TITLE: ARCHITECTURAL CORNER STATION LVEA PARTIAL FLOOR PLAN SHEET 2
 SCALE: AS NOTED
 CONTRACT NUMBER: PP150969
 PROJECT NUMBER: 8094
 SHEET NUMBER: **WA-A-503**